

[54] COMBINED MAGNETIC HEATER AND MASSAGER

[75] Inventor: Teruo Ohnishi, Toyooka, Japan

[73] Assignees: Nihon Kenkozoshin Kenyukai Co. Ltd., Fukuoka; Nihon Denjihachiryoki Kenkyusho Co. Ltd., Hyogo, both of Japan

[**] Term: 14 Years

[21] Appl. No.: 675,537

[22] Filed: Nov. 28, 1984

[52] U.S. Cl. D24/40; D24/36; 128/32

[58] Field of Search D24/36, 40; 128/63, 128/36, 32, 58, 24 A, 24.1, 64, 802, DIG. 20; D2/380, 384, 387

[56] References Cited

U.S. PATENT DOCUMENTS

240,499	4/1881	Baldwin	128/802 X
366,058	7/1887	Williams et al.	128/802 X
447,857	3/1891	Williams	128/802 X

3,896,795 7/1975 Solhkhah 128/32

Primary Examiner—A. Hugo Word
Assistant Examiner—Stella Reid
Attorney, Agent, or Firm—James J. Ralabate

[57] CLAIM

The ornamental design for a combined magnetic heater and massager, substantially as shown and described.

DESCRIPTION

FIG. 1 is a side perspective view of a combined magnetic heater and massager showing my new design, the side opposite being substantially a mirror image; FIG. 2 is a side elevational view of a combined magnetic heater and massager; FIG. 3 is a plan view of a combined magnetic heater and massager; FIG. 4 is a cross-sectional view of a combined magnetic heater and massager taken along line I—I of FIG. 3; and FIG. 5 is a side view of the combined magnetic heater and massager of this invention, wherein the elements thereof have been pivoted to an alternate position; and FIG. 6 is a plan view thereof, wherein a human figure is shown in broken lines for illustrative purposes only.

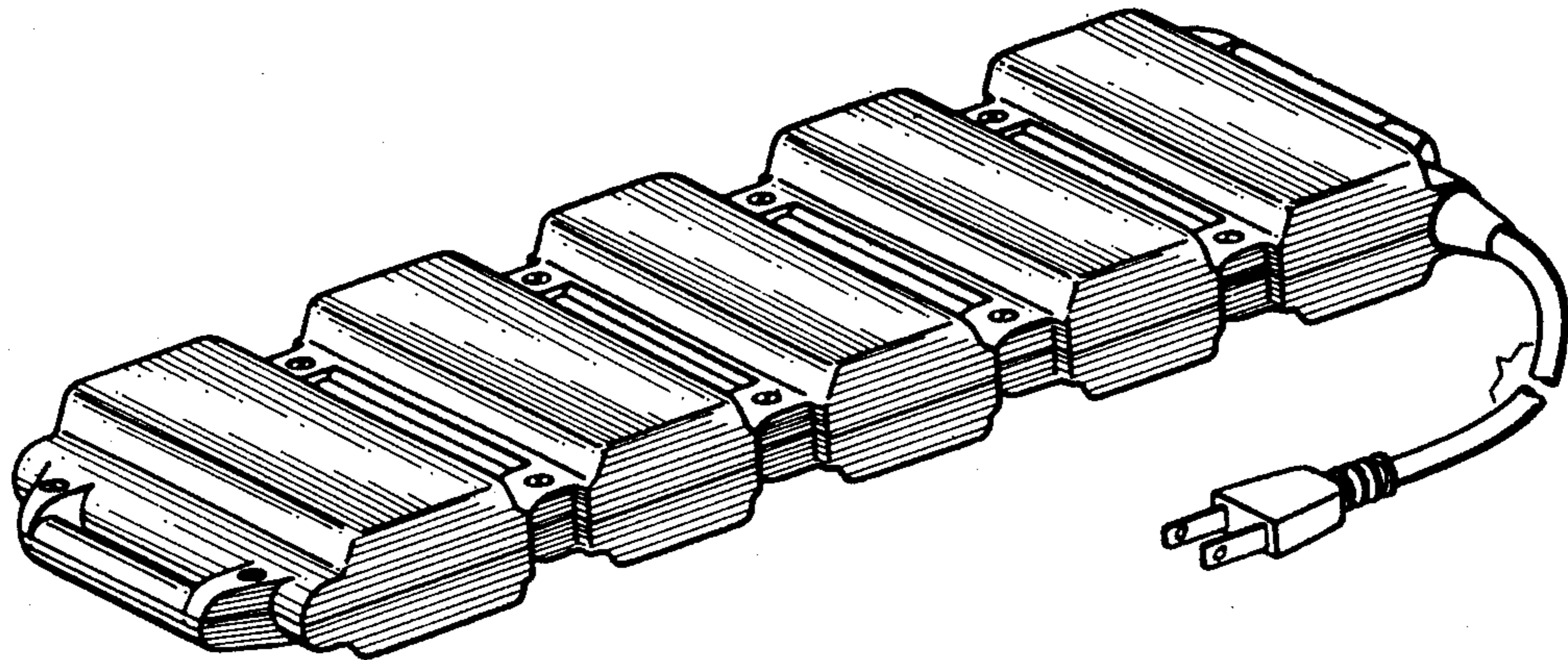


FIG. 1

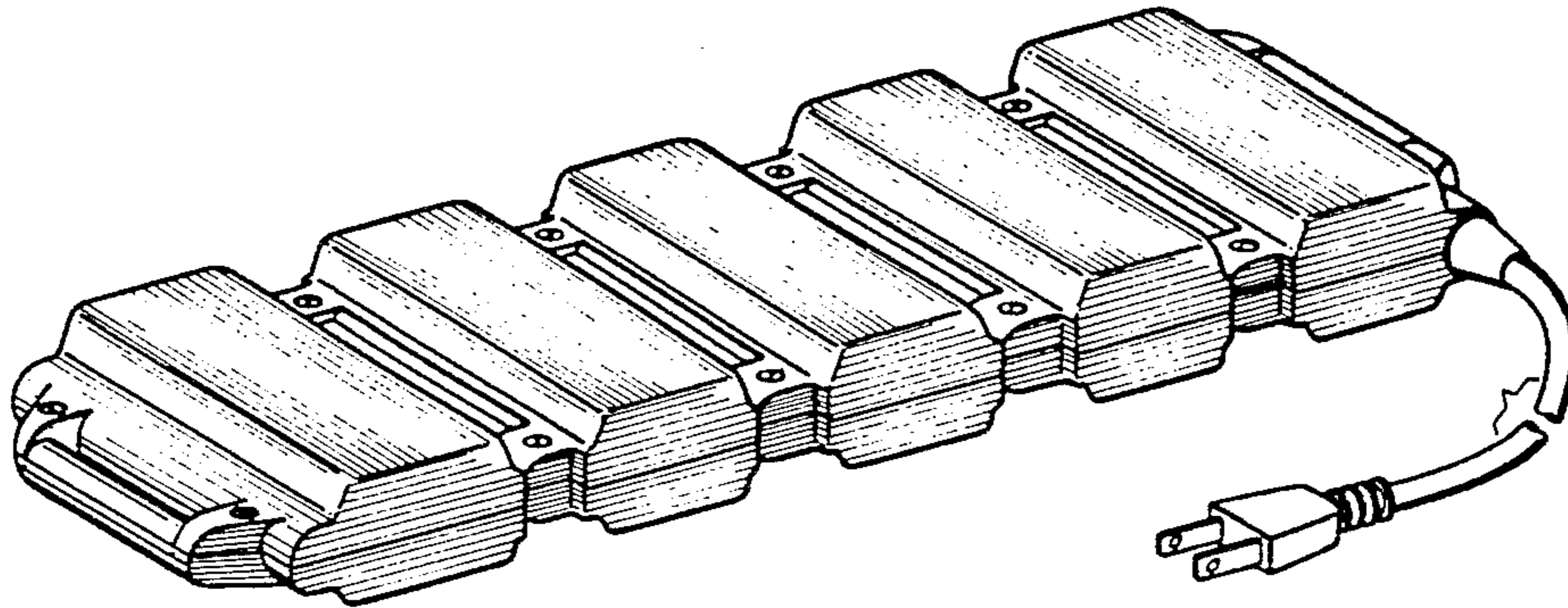


FIG. 2

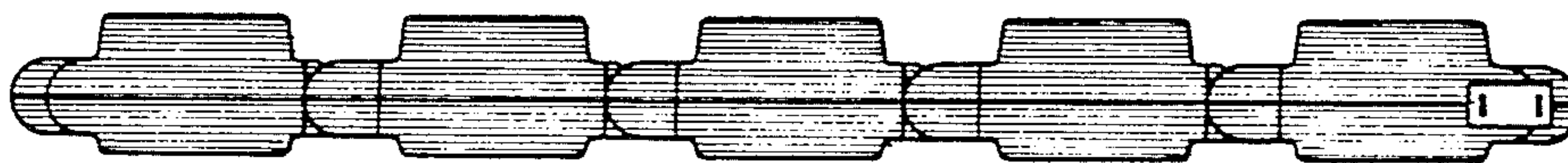


FIG. 3

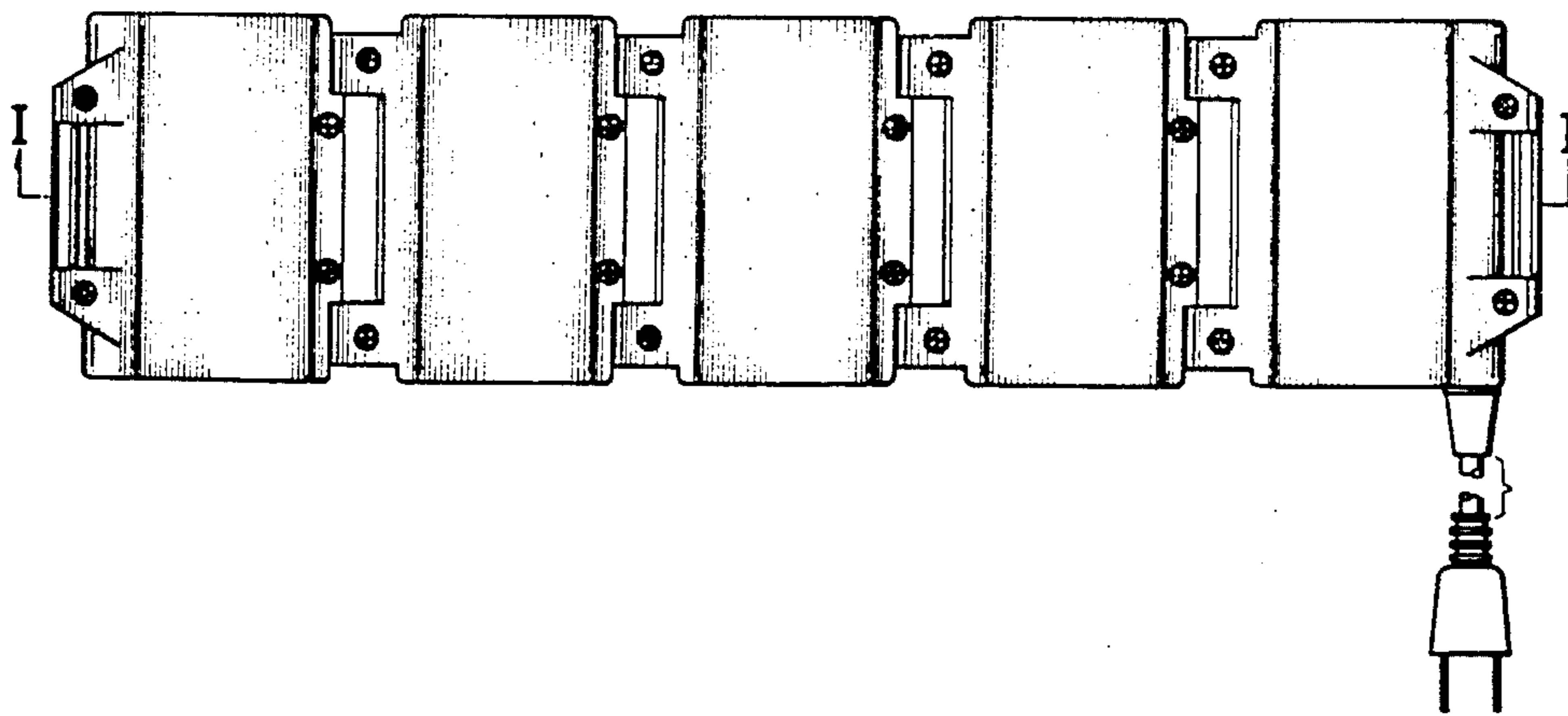


FIG. 4

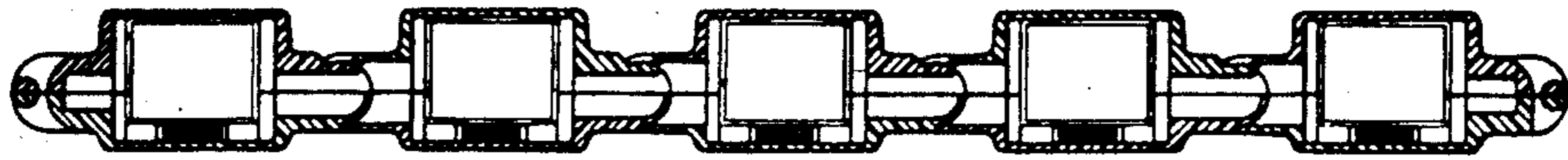


FIG. 5

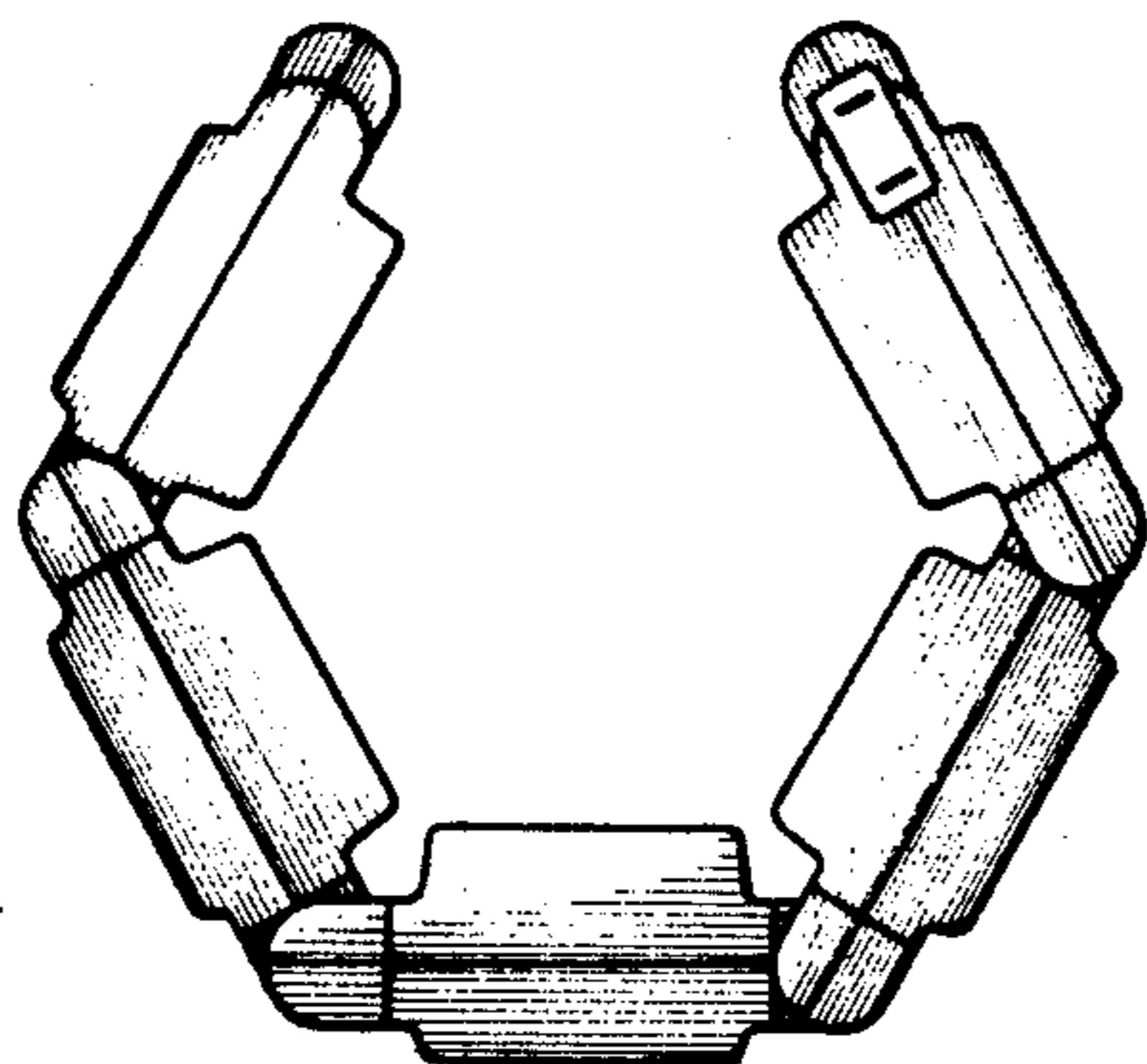


FIG. 6

