

[54] CUSHION PAD FOR INTRA-ORAL X-RAY FILMS

[76] Inventor: Donald C. Simpson, 5555 Shawnee Dr., Sierra Vista, Ariz. 85635

[\*\*] Term: 14 Years

[21] Appl. No.: 759,306

[22] Filed: Jul. 26, 1985

[52] U.S. Cl. .... D24/16

[58] Field of Search ..... D24/4-5, D24/10-16, 2; D14/1, 6, 10-11; D16/36-37; 378/167-174, 187; 354/340, 345; 49/460-462, 70, 50; 248/345.1; 52/716, 657; 433/229; D8/403

[56] References Cited

U.S. PATENT DOCUMENTS

D. 221,958	9/1971	Finebaum	.....	D8/403
D. 276,648	12/1984	Stevenson	.....	D24/2
1,537,925	5/1925	Bolin	.	
1,631,497	6/1927	Marler	.	
1,994,579	3/1935	Hodgson	.	
3,444,371	5/1969	Via, Jr.	.....	378/168
3,936,643	2/1976	Toner	.....	378/168
4,251,732	2/1981	Fried	.....	378/170

4,344,182	8/1982	Bostic	.....	378/170
4,495,670	1/1985	Baker	.....	30/169 X
4,507,798	3/1985	Welander	.....	378/168 X
4,593,401	6/1986	Colbert	.....	378/168
4,605,265	8/1986	Bessinger et al.	.....	248/345.1 X

Primary Examiner—Wallace R. Burke  
Assistant Examiner—Brian N. Vinson  
Attorney, Agent, or Firm—Mann, McWilliams, Zummer & Sweeney

[57] CLAIM

The ornamental design for a cushion pad for intra-oral X-ray films, as shown and described.

DESCRIPTION

FIG. 1 is a top and front perspective view of a cushion pad for intra-oral X-ray films showing my new design, with the broken-line showing of the X-ray film packet being for illustrative purposes only and forming no part of the claimed design;  
FIG. 2 is a front elevational view thereof;  
FIG. 3 is a rear elevational view thereof;  
FIG. 4 is a top plan view thereof;  
FIG. 5 is a bottom plan view thereof;  
FIG. 6 is a right side elevational view thereof; and  
FIG. 7 is a left side elevational view thereof.

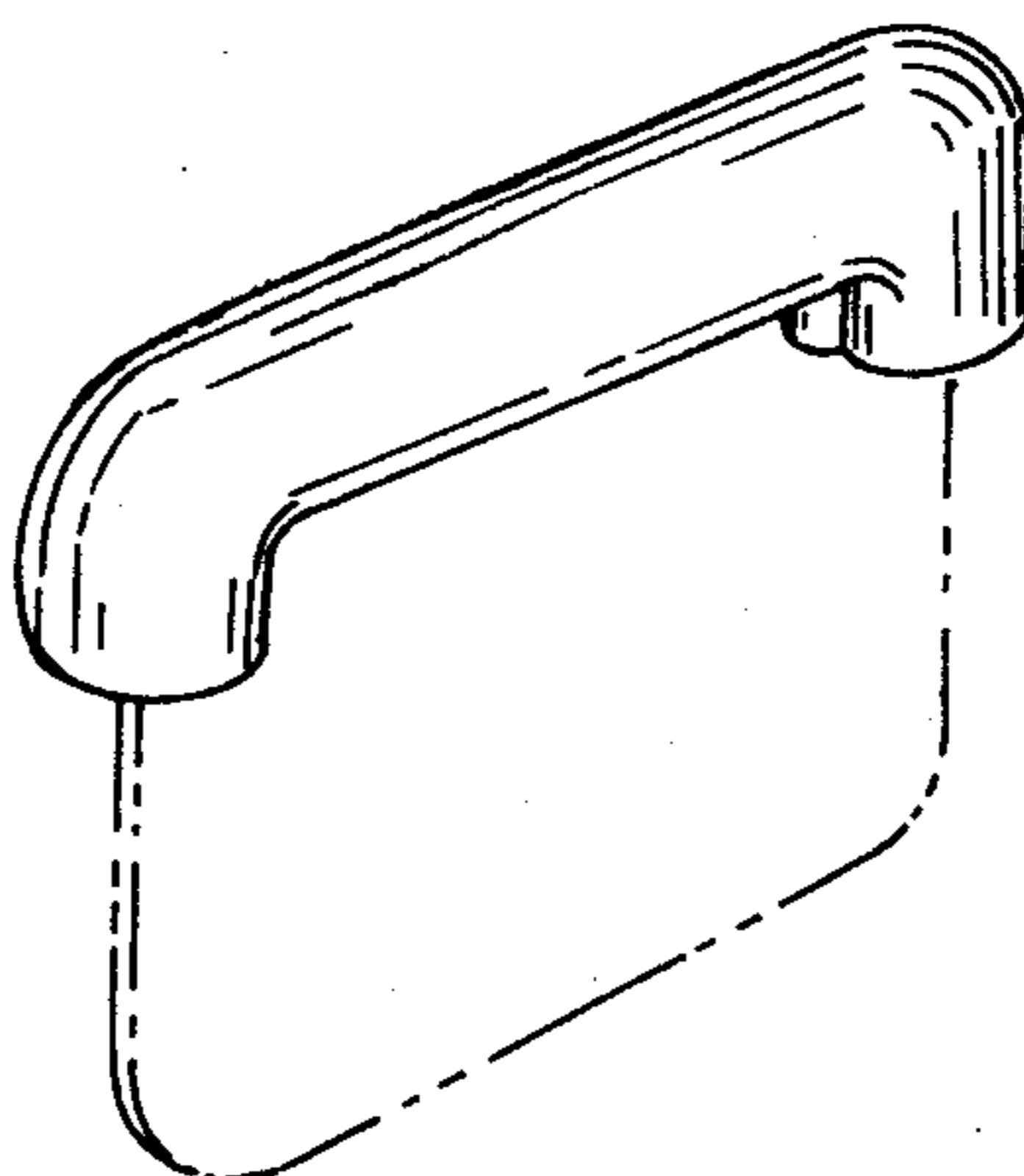


FIG. 1.

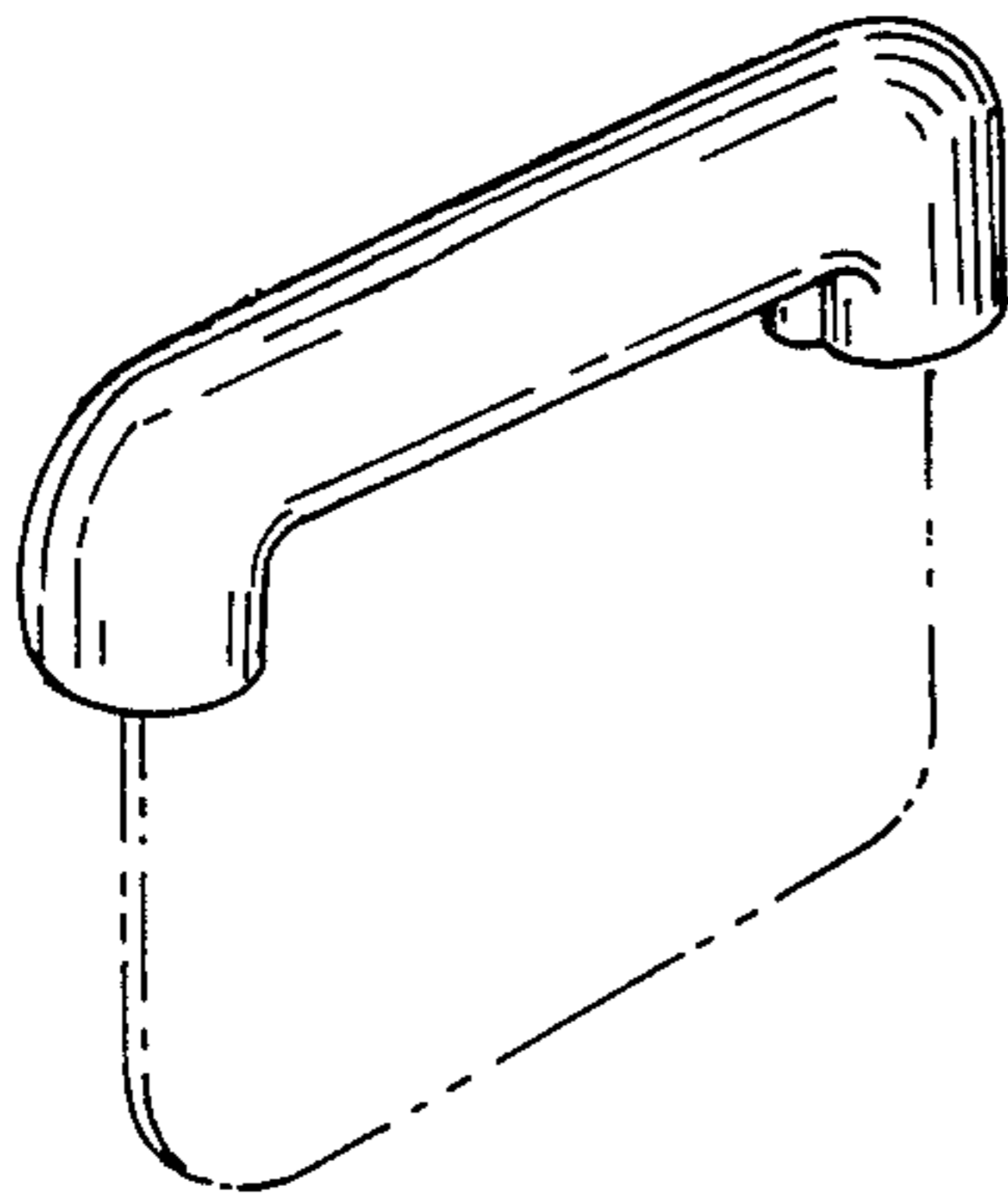


FIG. 2.

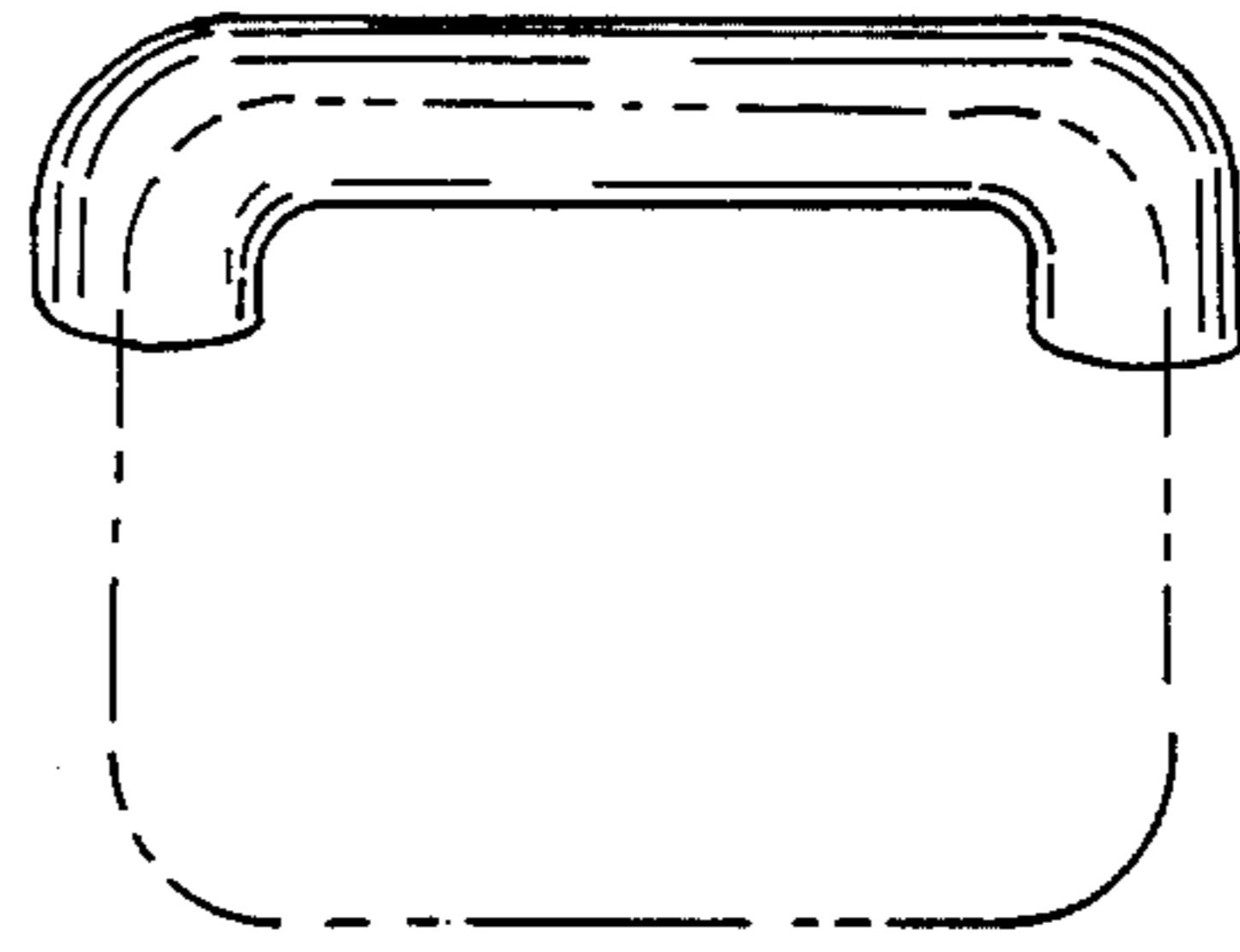


FIG. 3.

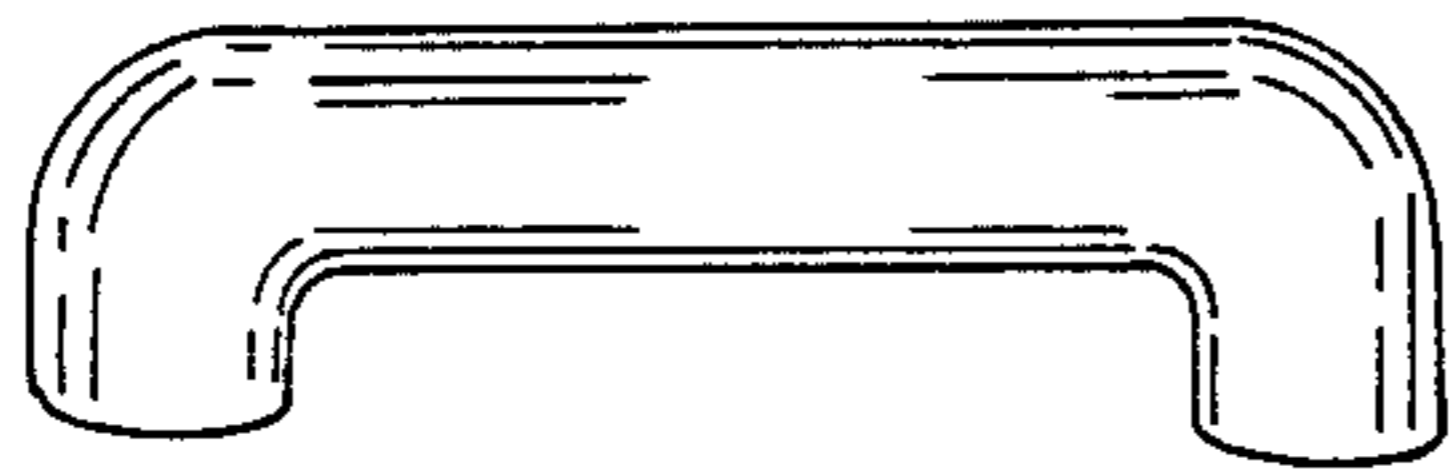


FIG. 6.



FIG. 4.

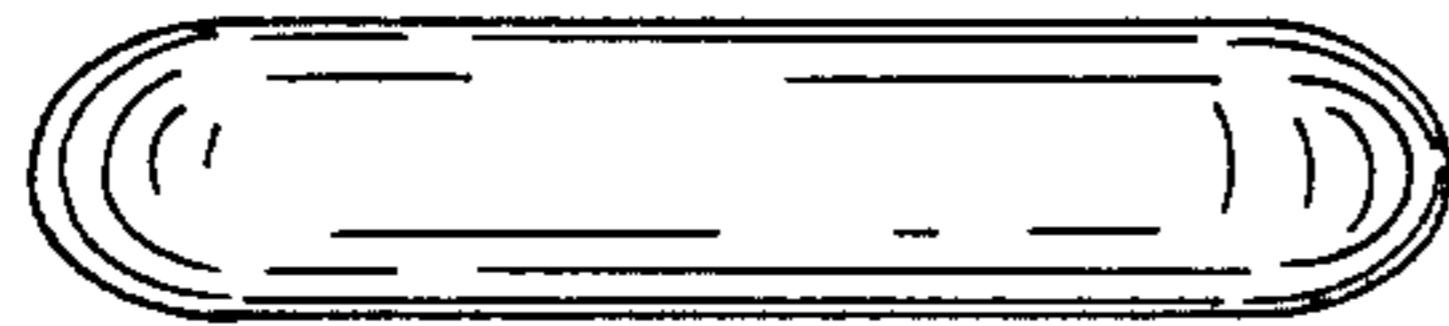


FIG. 7.



FIG. 5.

