

[54] TUB SPOUT

4,513,458 4/1985 Delepine ..... 4/192

[75] Inventor: Stanley M. Paul, Rye, N.Y.

OTHER PUBLICATIONS

[73] Assignee: Paul Associates, Inc., Long Island City, N.Y.

Industrial Design, Jun. 1954, p. 107, top left item.

[\*\*] Term: 14 Years

Primary Examiner—James R. Largen  
Attorney, Agent, or Firm—Darby & Darby

[21] Appl. No.: 806,089

[57] CLAIM

[22] Filed: Dec. 6, 1985

The ornamental design for a tub spout, as shown and described.

[52] U.S. Cl. .... D23/32

[58] Field of Search ..... D23/23-32;  
4/191, 192, 591; 137/801

DESCRIPTION

[56] References Cited

U.S. PATENT DOCUMENTS

- D. 42,649 6/1912 Savill ..... D23/23 X
- D. 265,229 6/1982 Paul ..... D23/25
- D. 268,949 5/1983 Delepine ..... D23/32
- 4,334,328 6/1982 Delepine ..... 4/192 X

FIG. 1 is a perspective view taken from the top, front and left side of a tub spout showing my new design; FIG. 2 is a front elevational view thereof; FIG. 3 is a rear elevational view thereof; FIG. 4 is a left side elevational view thereof, the right side being a mirror image of the left side shown; FIG. 5 is a top plan view thereof; and FIG. 6 is a bottom plan view thereof.

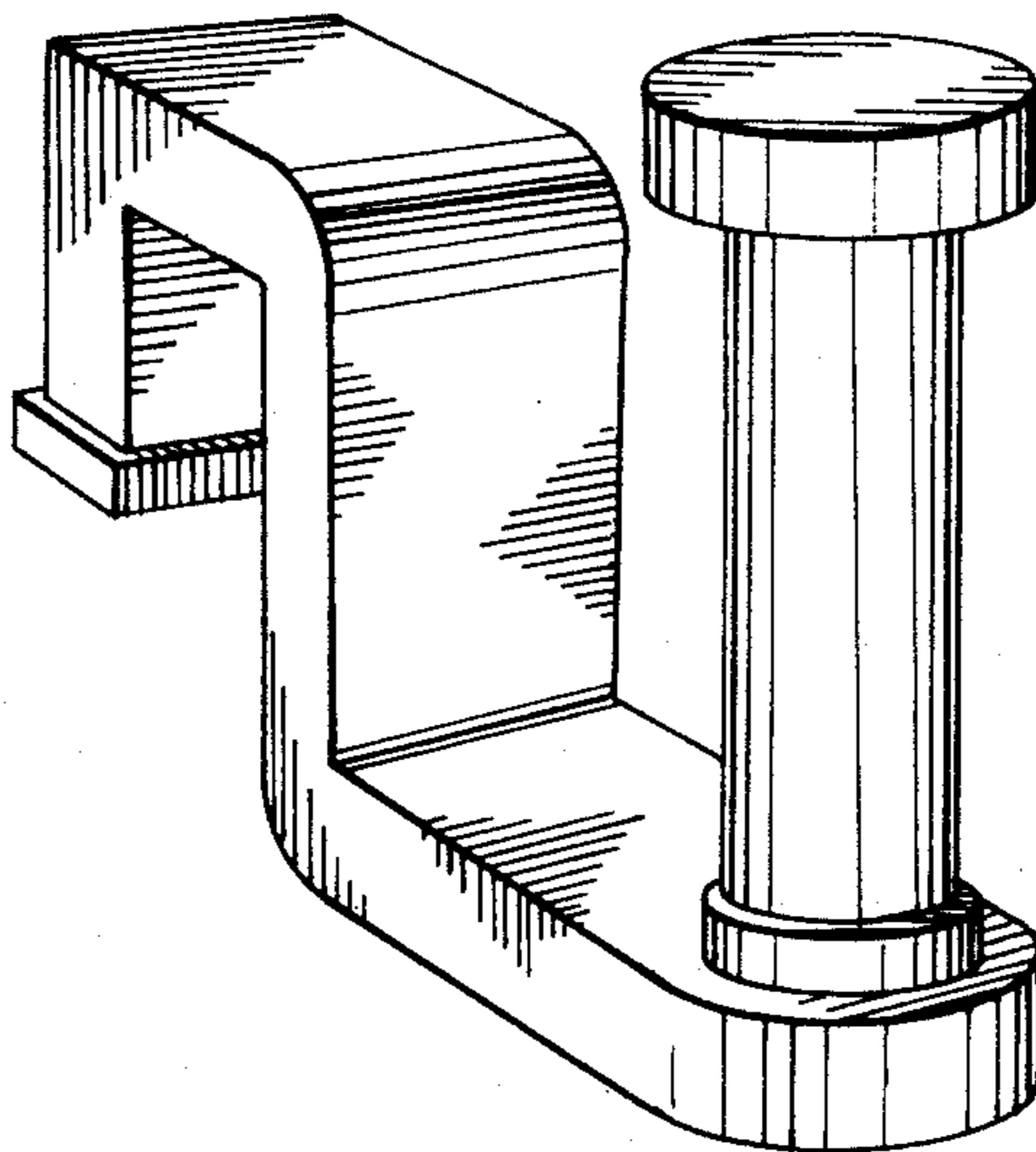


FIG. 1

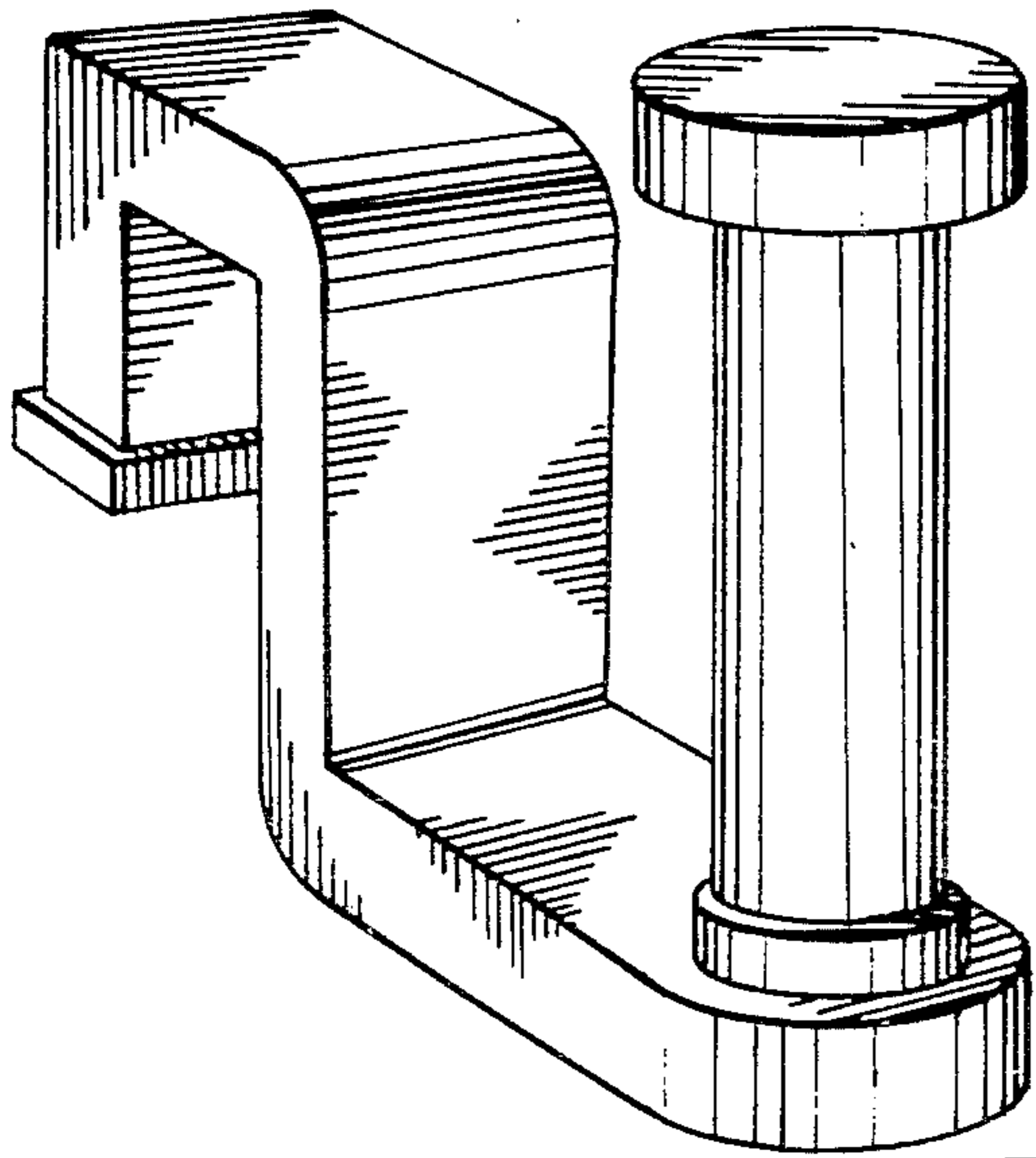


FIG. 2

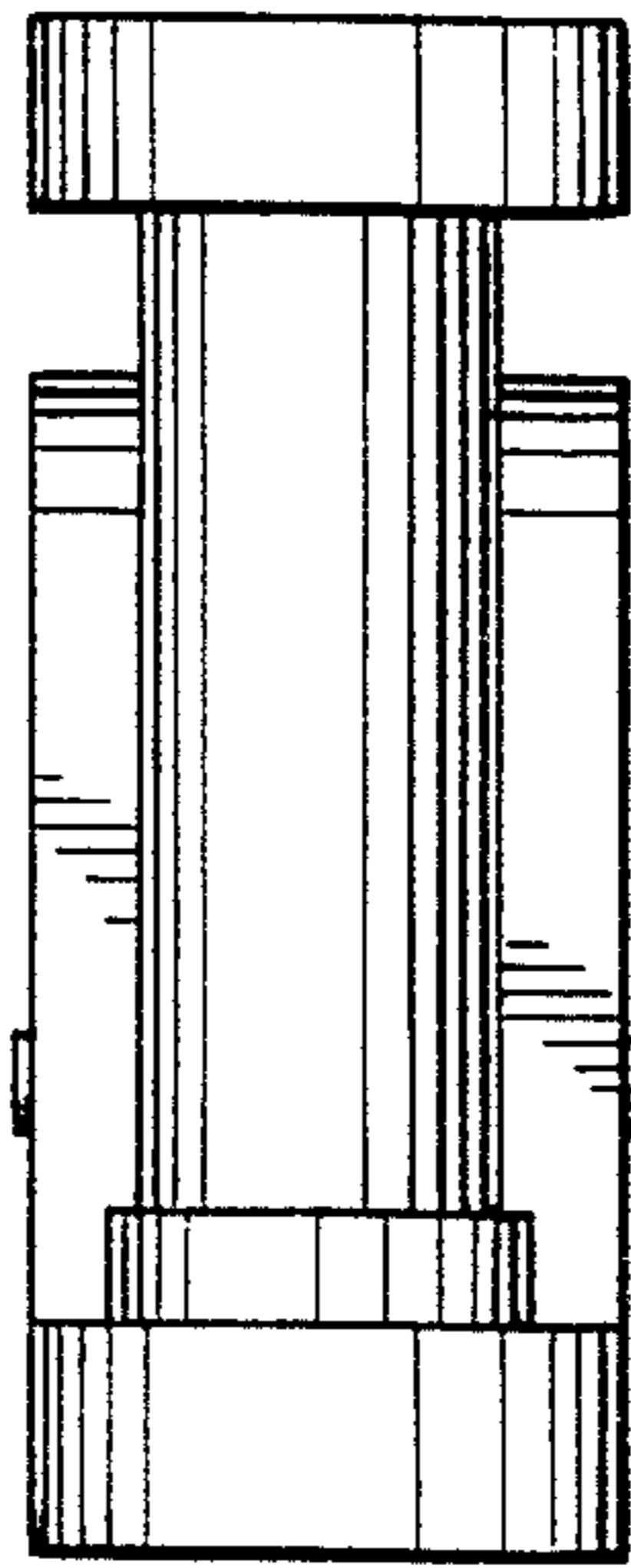


FIG. 3

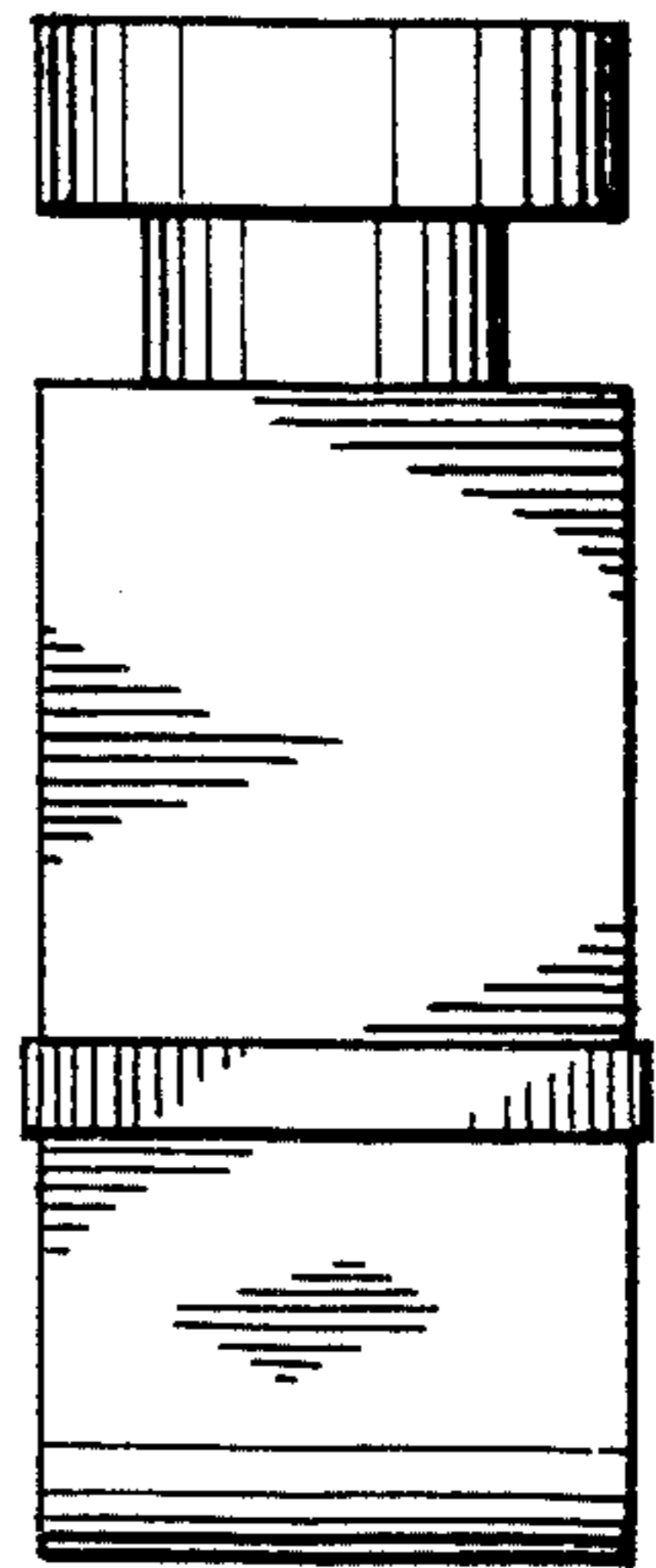


FIG. 4

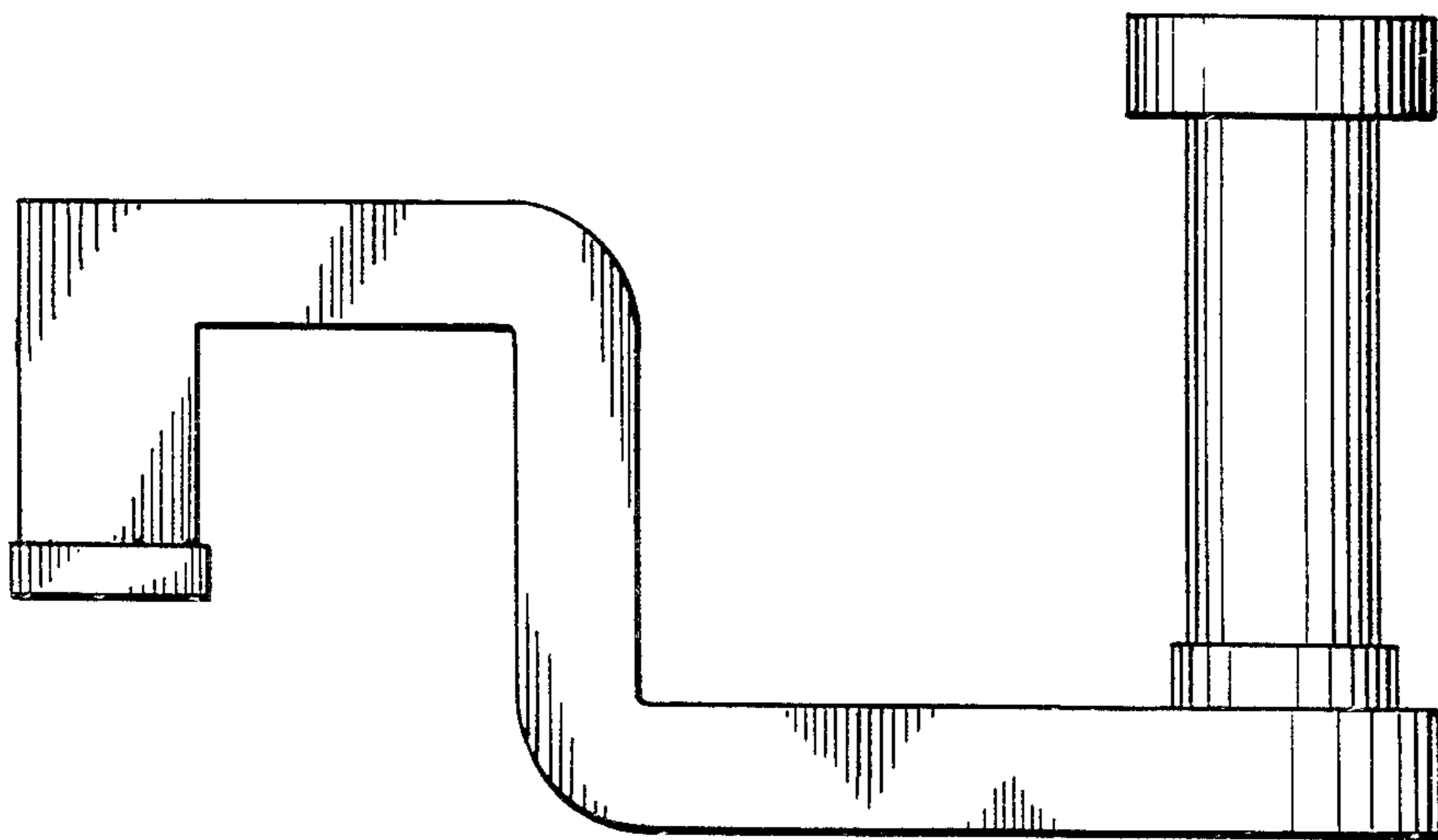


FIG. 5

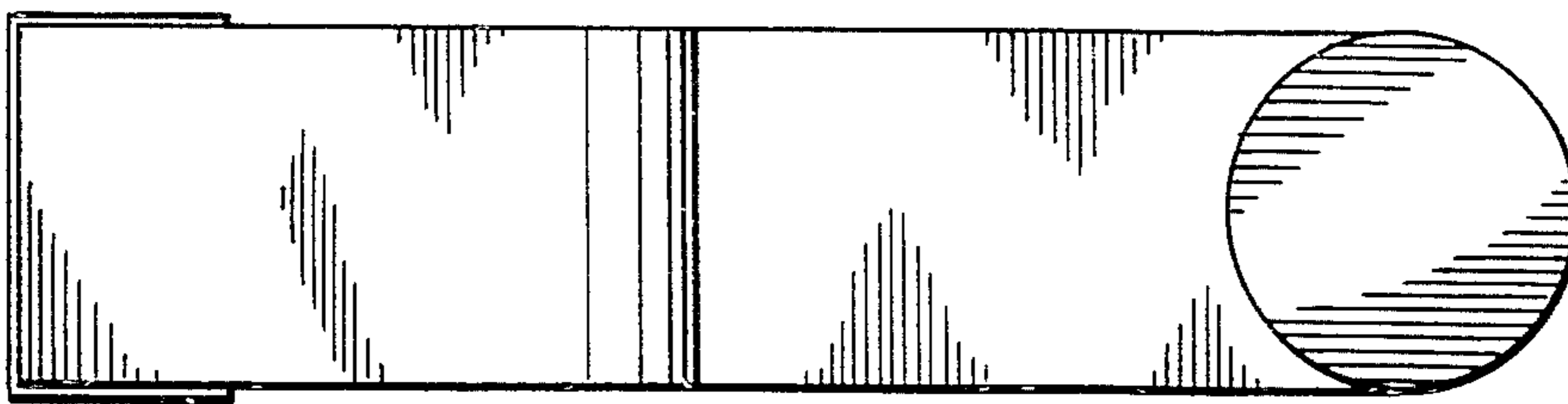


FIG. 6

