

[54] **TUB SPOUT**

D. 280,232 8/1985 Paul D23/25
4,334,328 6/1982 Delepine 4/192 X
4,513,458 4/1985 Delepine 4/192

[75] **Inventor: Stanley M. Paul, Rye, N.Y.**

[73] **Assignee: Paul Associates Inc., Long Island City, N.Y.**

Primary Examiner—James R. Largen
Attorney, Agent, or Firm—Darby & Darby

[**] **Term: 14 Years**

[57] **CLAIM**

[21] **Appl. No.: 787,246**

The ornamental design for a tub spout, as shown and described.

[22] **Filed: Oct. 15, 1985**

[52] **U.S. Cl. D23/32**

[58] **Field of Search D23/23-32;
4/191, 192, 59; 137/801**

DESCRIPTION

FIG. 1 is a perspective view taken from the top, front and left side of a tub spout showing my new design; FIG. 2 is a top plan view thereof; FIG. 3 is a left side elevational view thereof, the right side being a mirror image of the left side shown; FIG. 4 is a front elevational view thereof, the rear being a mirror image of the front shown; and FIG. 5 is a bottom plan view thereof.

[56] **References Cited**

U.S. PATENT DOCUMENTS

D. 268,949 5/1983 Delepine D23/32
D. 271,514 11/1983 Paul D23/25

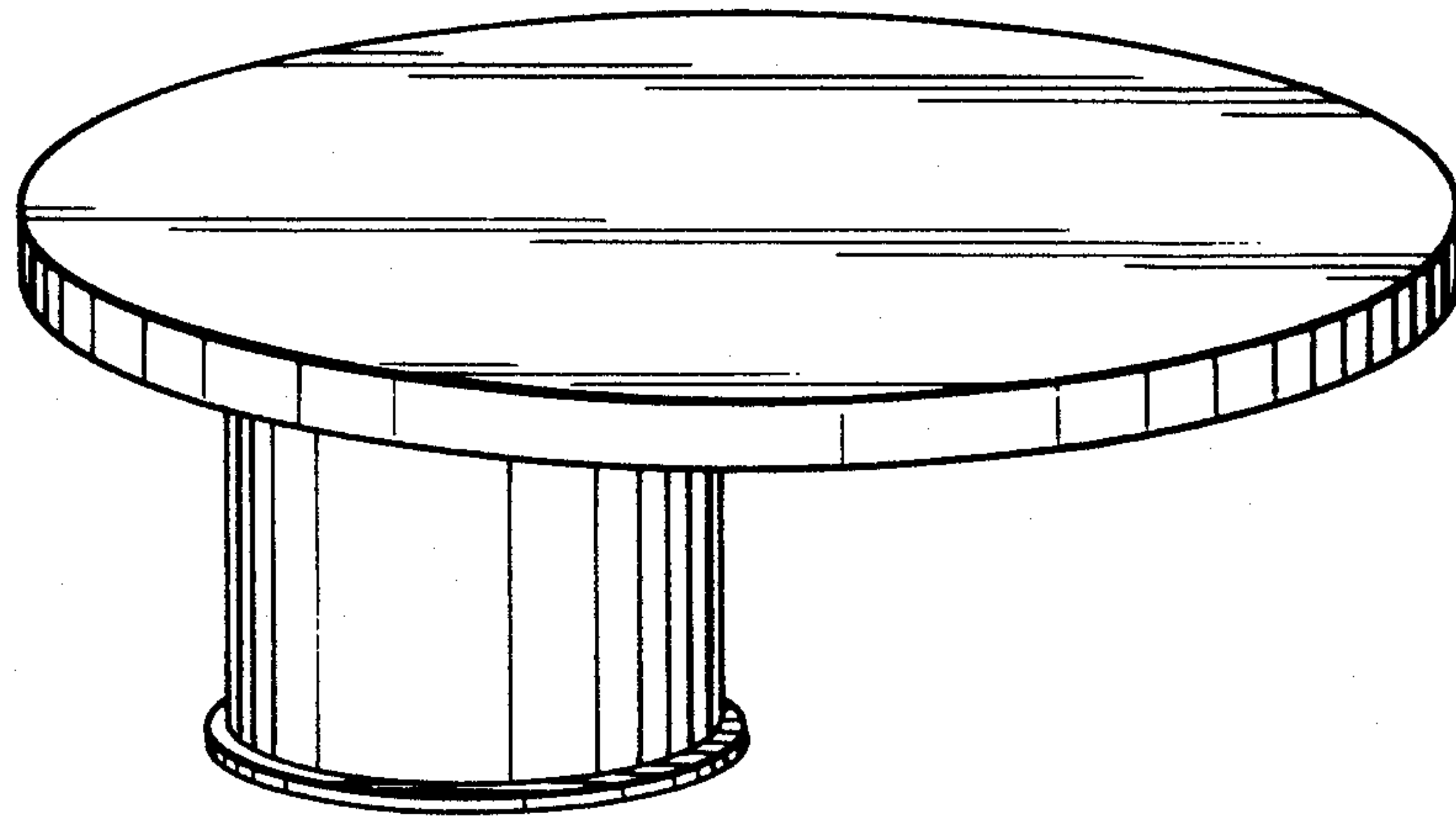


FIG. 1

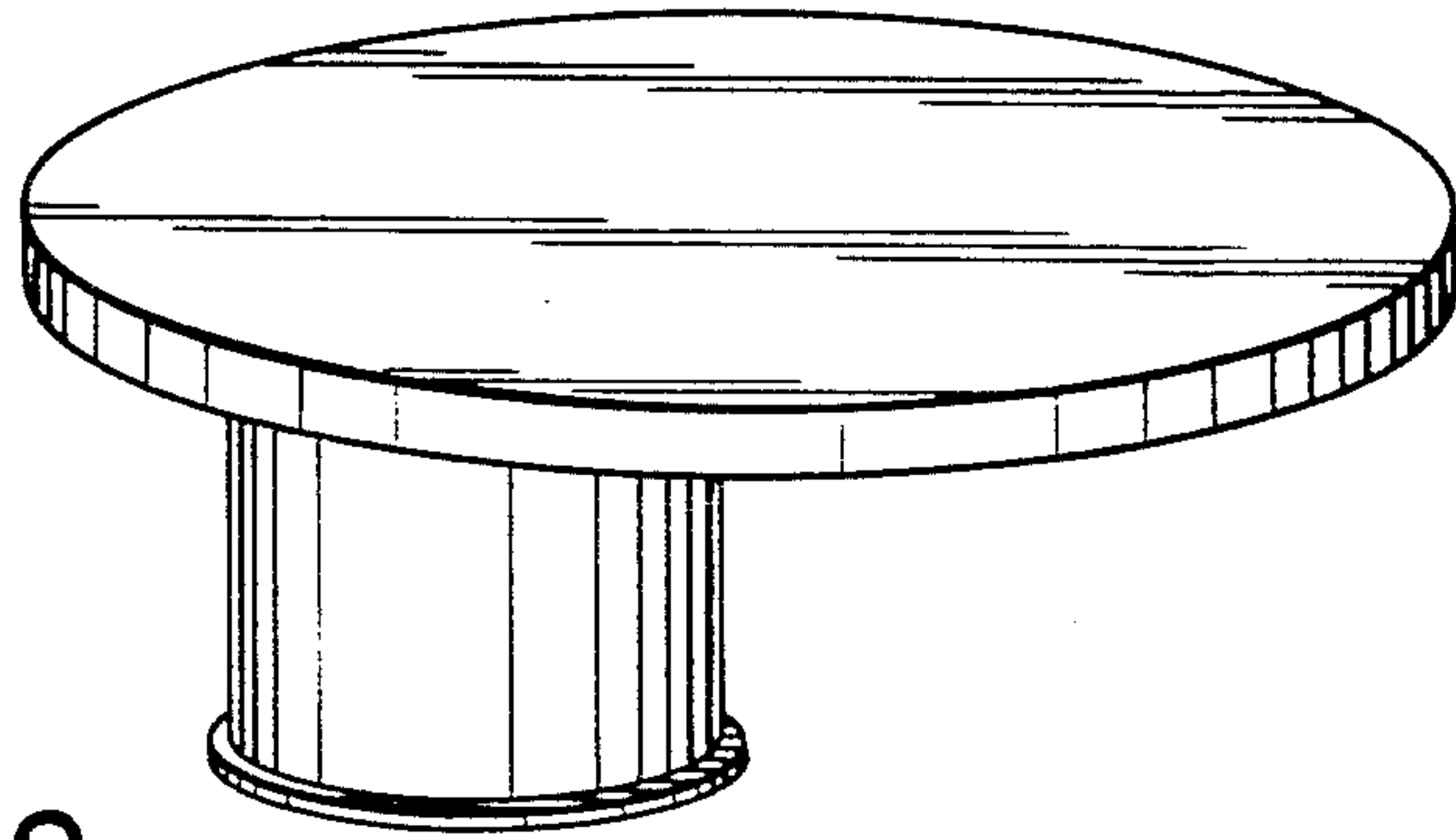


FIG. 2

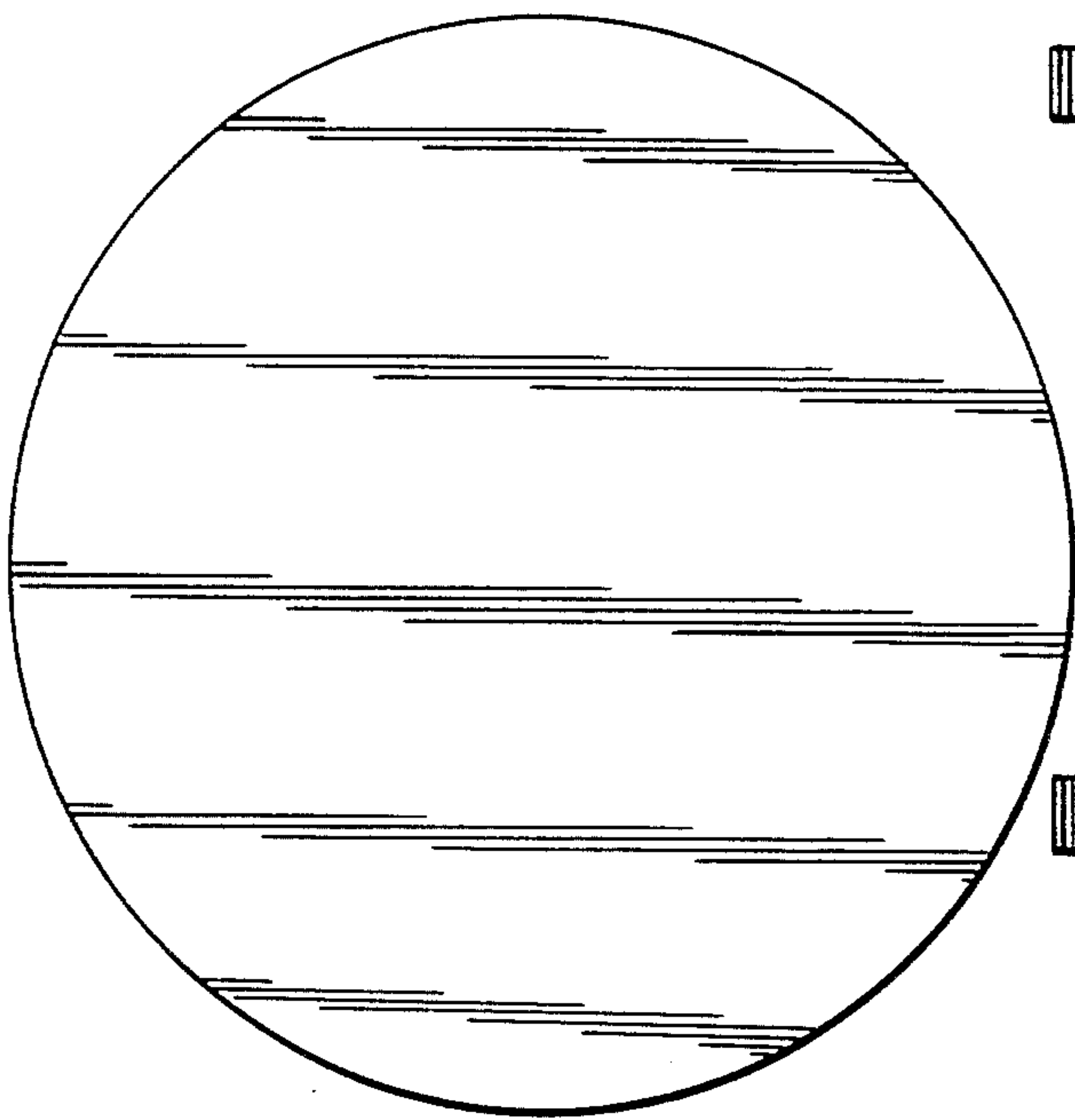


FIG. 3

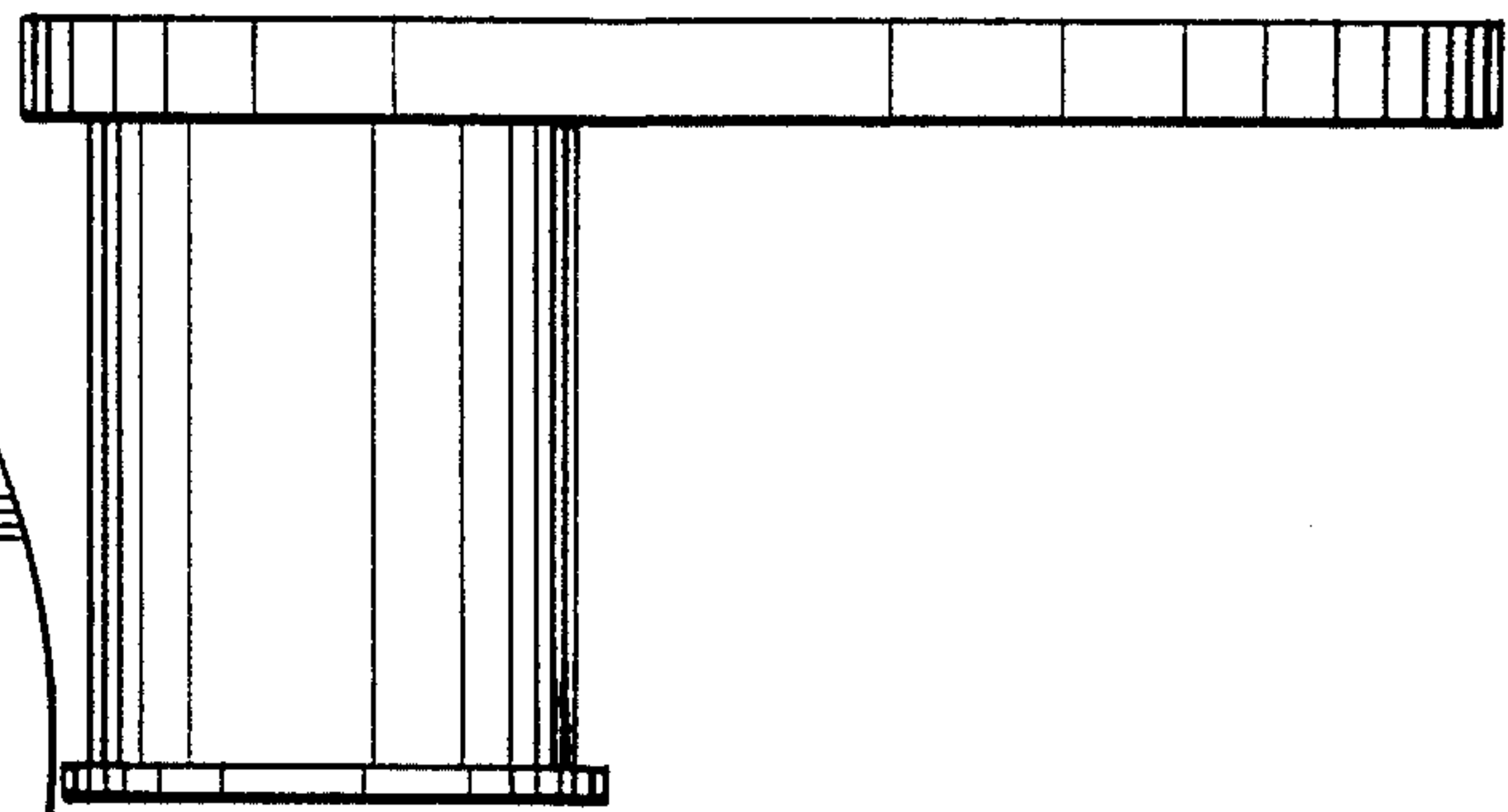


FIG. 4

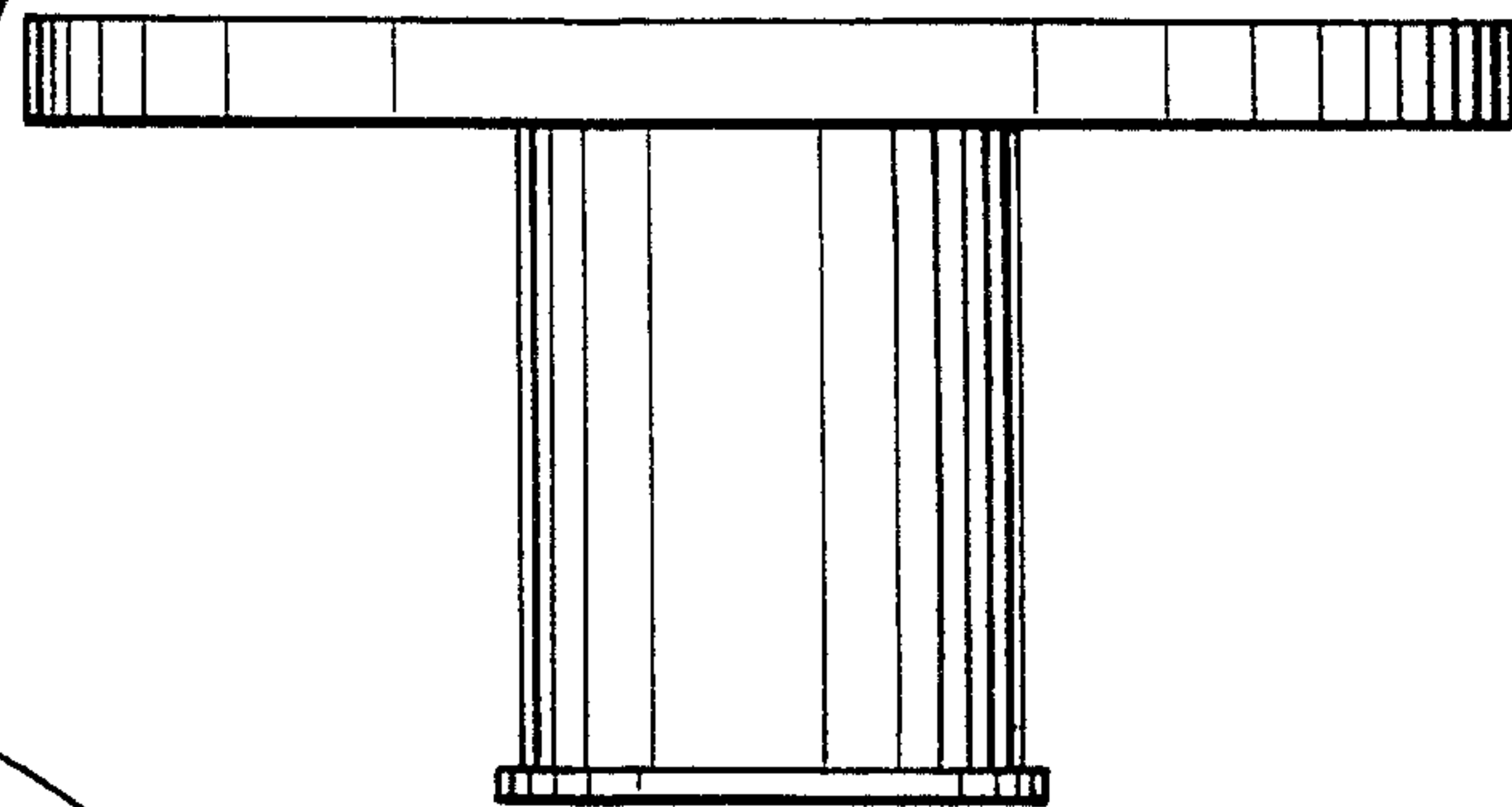


FIG. 5

