

[54] VALVE DIAPHRAGM

[75] Inventor: Gustav A. Andersson, Viken, Sweden

[73] Assignee: Frigoscandia Contracting AB,
Helsingborg, Sweden

[**] Term: 14 Years

[21] Appl. No.: 651,821

[22] Filed: Sep. 18, 1984

[30] Foreign Application Priority Data

Mar. 19, 1984 [SE] Sweden 84-0929

[52] U.S. Cl. D23/19

[58] Field of Search D23/19-22;
251/30.01, 45, 331

[56] References Cited

U.S. PATENT DOCUMENTS

D. 268,048 2/1983 Ueda D23/19

D. 268,049	2/1983	Ueda	D23/19
2,305,151	12/1942	Fields	251/30.01 X
2,531,824	11/1950	Paille	251/30.01 X
3,020,020	2/1962	Boteler	251/331
3,083,943	4/1963	Stewart, Jr. et al.	D23/19 X
3,502,300	3/1970	Harris	251/331
3,511,472	5/1970	Zimmerman	251/331 X
3,655,163	4/1972	Ruttan et al.	251/45
4,014,514	3/1977	Priese	251/331
4,477,051	10/1984	Ben-Yehuda	251/30.01

Primary Examiner—James R. Largen
Attorney, Agent, or Firm—Browdy and Neimark

[57] CLAIM

The ornamental design for a valve diaphragm, as shown.

DESCRIPTION

FIG. 1 is a top perspective view of a valve diaphragm showing my new design; and
FIG. 2 is a bottom perspective view thereof.

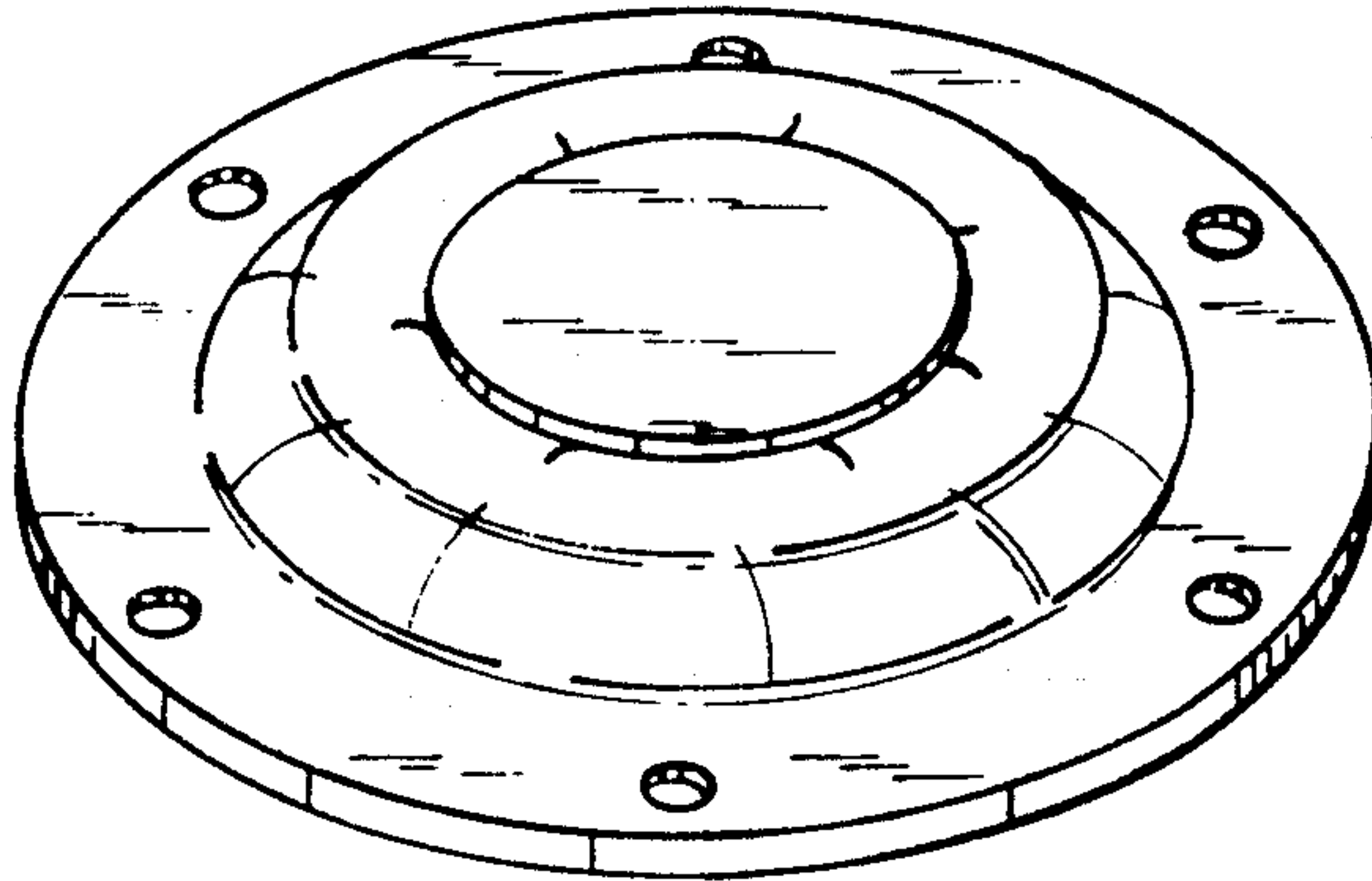


FIG. 1

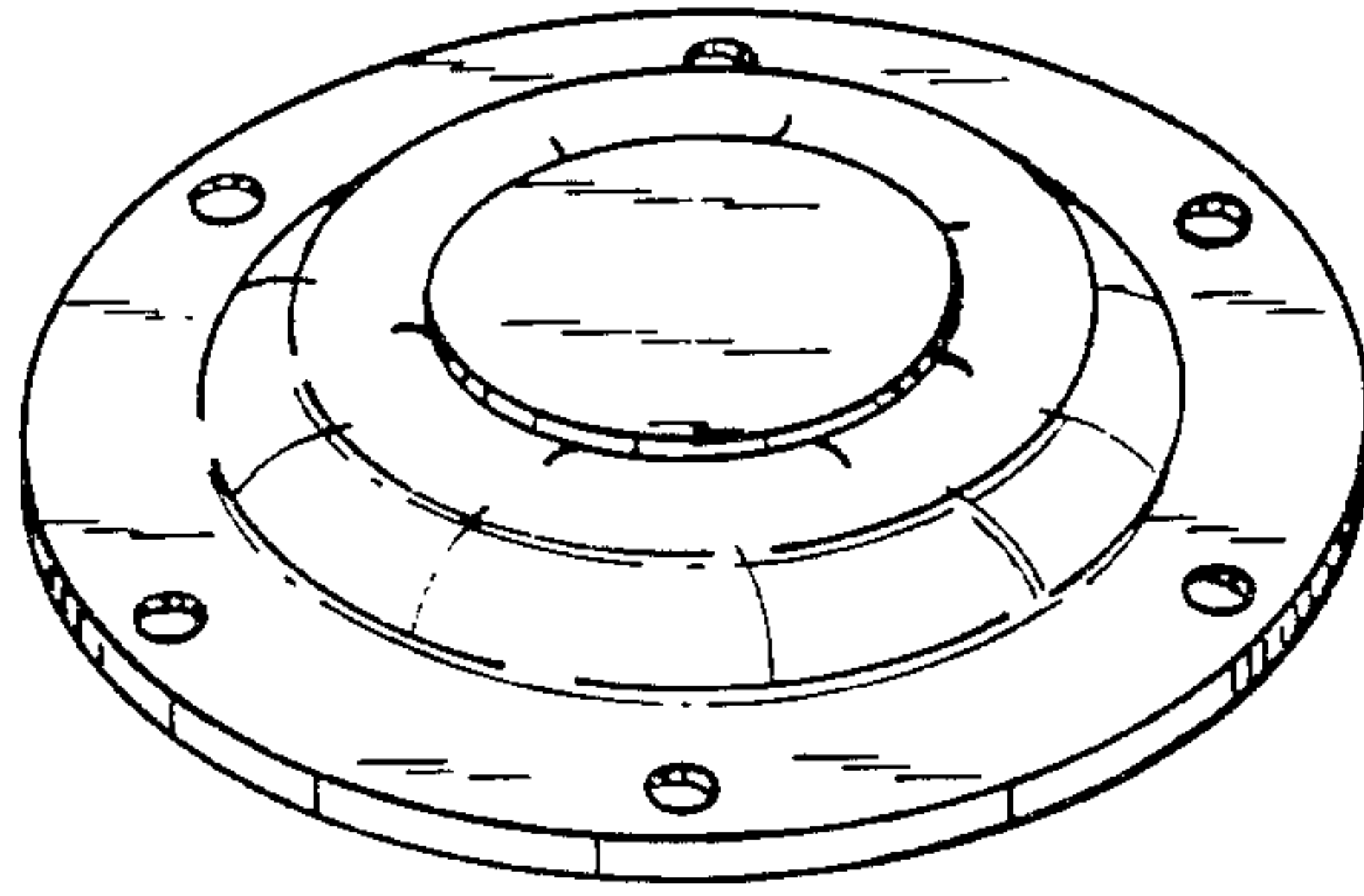


FIG. 2

