

[54] REVERSE OSMOSIS WATER PURIFIER

[75] Inventor: Jerry M. Bishop, Phoenix, Ariz.

[73] Assignee: Water Resources International, Inc., Phoenix, Ariz.

[**] Term: 14 Years

[21] Appl. No.: 811,736

[22] Filed: Dec. 20, 1985

[52] U.S. Cl. D23/3

[58] Field of Search D23/1, 3, 4; 210/153, 210/162-163, 169, 172, 190-191, 198.1, 198.3, 203, 220, 294-295, 322, 323.1-323.2, 331, 334-335, 337, 340, 348, 409, 416.1-416.5, 459, 470, 473, 493.1-493.2, 493.5

[56] References Cited

U.S. PATENT DOCUMENTS

D. 136,021 7/1943 Kraissl, Jr. D23/4

D. 228,655	10/1973	Frascone	D23/3
D. 236,829	9/1975	Berry, Jr. et al.	D23/3
D. 268,866	5/1983	Desai et al.	D23/3
D. 273,697	5/1984	Johnson et al.	D23/3
2,238,003	4/1941	Wilkinson	D23/4 X

Primary Examiner—Wallace R. Burke

Assistant Examiner—Brian N. Vinson

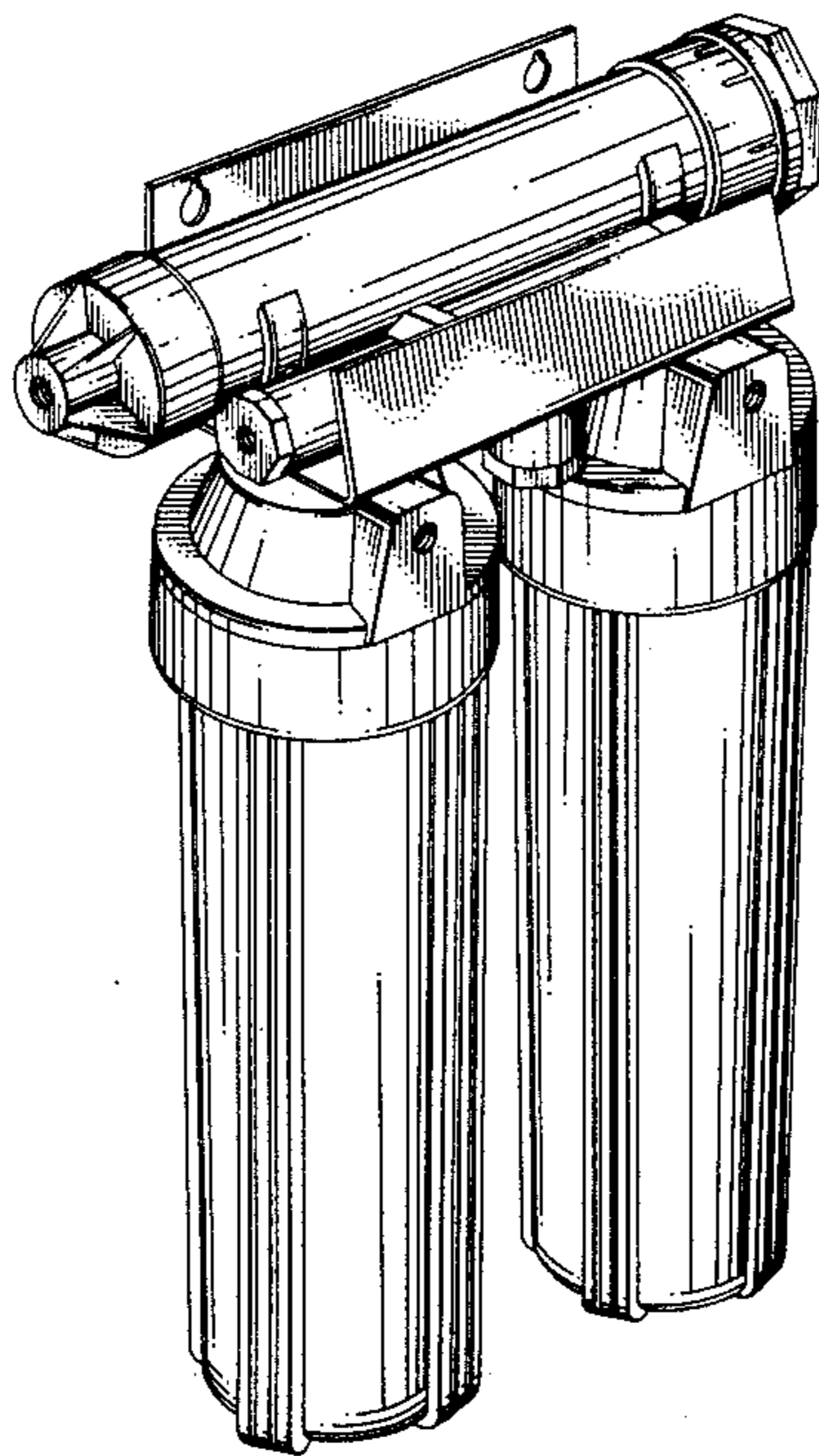
Attorney, Agent, or Firm—Edward W. Hughes

[57] CLAIM

The ornamental design for a reverse osmosis water purifier, substantially as shown and described.

DESCRIPTION

FIG. 1 is a top, front and left side perspective view of a reverse osmosis water purifier showing my new design; FIG. 2 is a top plan view thereof; FIG. 3 is a bottom view thereof; FIG. 4 is a rear elevational view thereof; and FIG. 5 is a right side elevational view thereof.



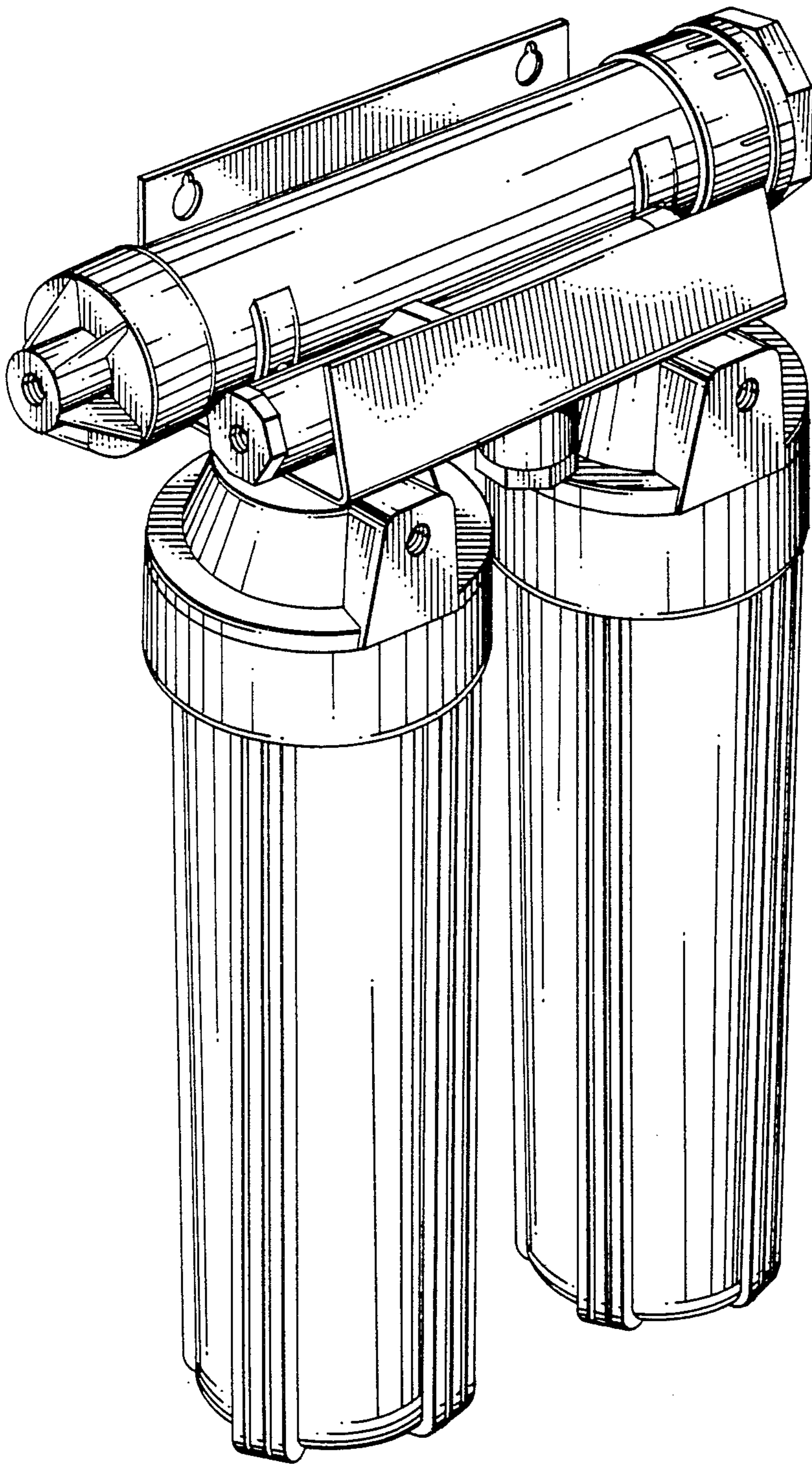


FIG. 1

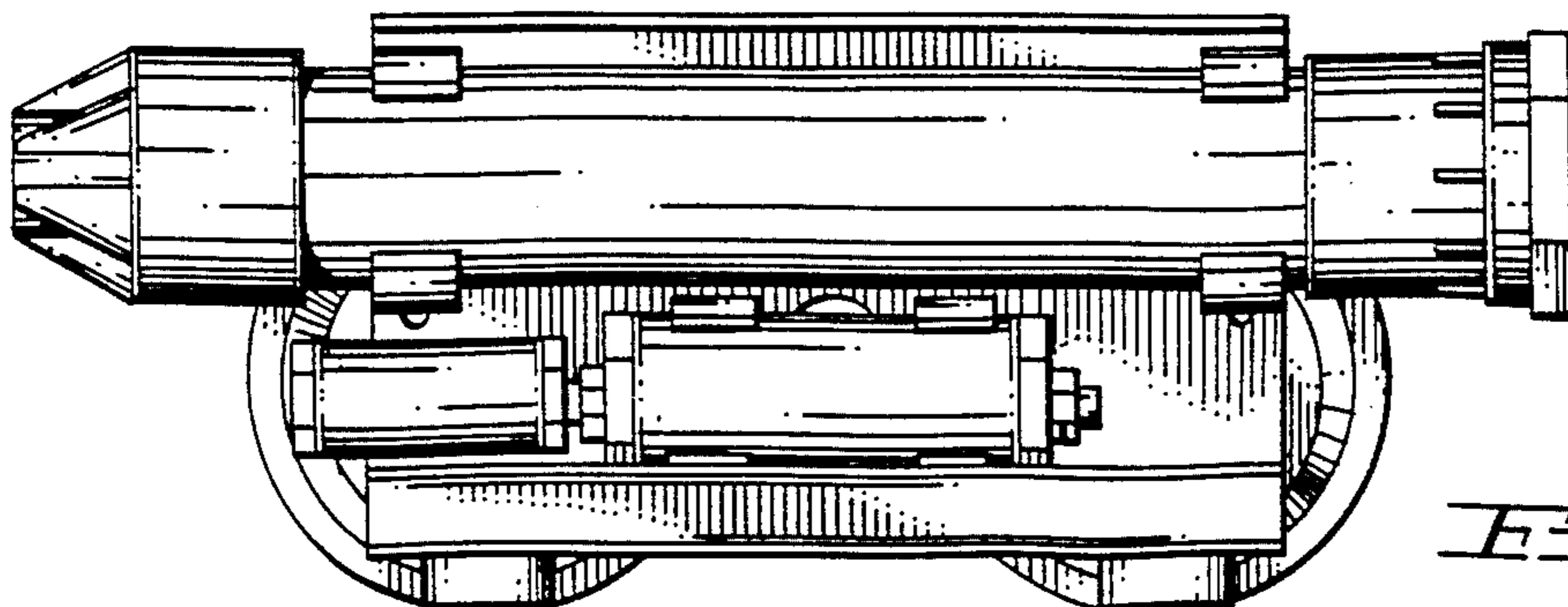


FIG. 2

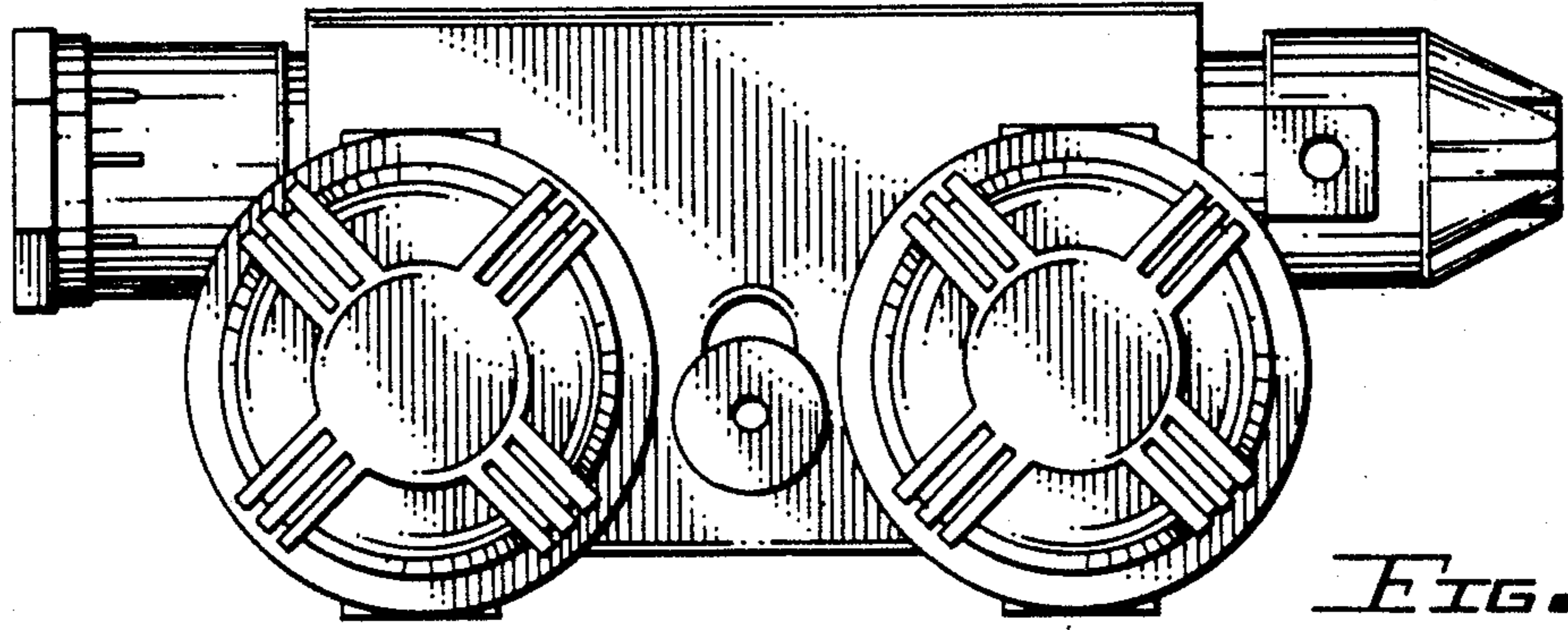


FIG. 3

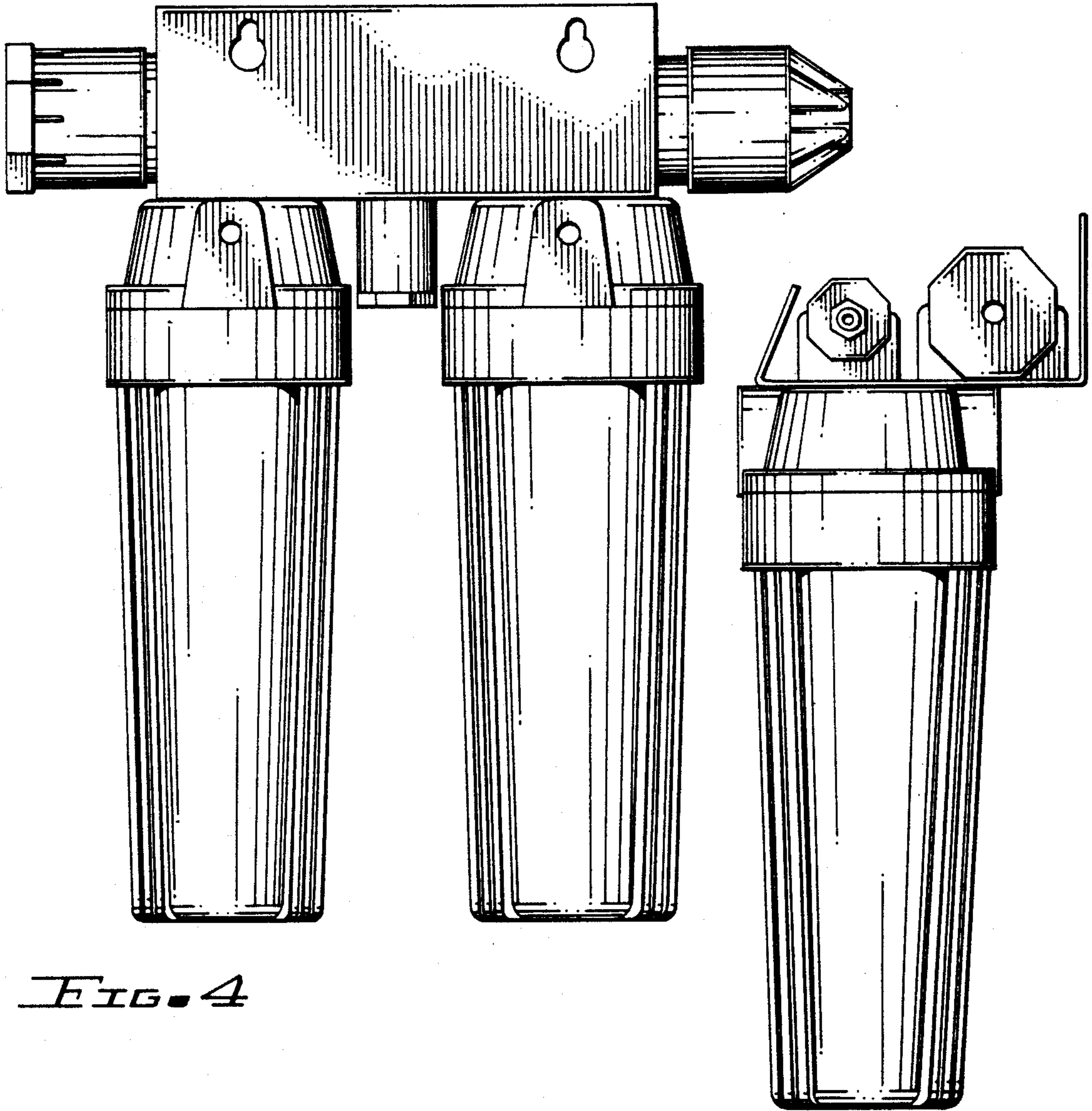


FIG. 4

FIG. 5