

[54] SPIN CAST FISHING REEL

4,331,303 5/1982 Moss D22/141 X
4,415,129 11/1983 Neufeld D22/141 X

[75] Inventors: Richard J. Robbins, Derby, Kans.;
Roy E. Stiner, Tulsa, Okla.

Primary Examiner—A. Hugo Word
Attorney, Agent, or Firm—Wood, Dalton, Phillips,
Mason & Rowe

[73] Assignee: Brunswick Corporation, Skokie, Ill.

[**] Term: 14 Years

[57] CLAIM

[21] Appl. No.: 622,056

The ornamental design of a spin cast fishing reel, as shown and described.

[22] Filed: Jun. 18, 1984

[52] U.S. Cl. D22/141

[58] Field of Search D22/140, 141, 137;
242/84.1 R, 84.1 J, 84.2 R, 84.2 J, 84.21 R,
84.21 A

DESCRIPTION

FIG. 1 is a perspective view of a front and side portion including a crank handle of a spin cast fishing reel showing our new design;

FIG. 2 is a front elevation view thereof;

FIG. 3 is a side elevation view thereof;

FIG. 4 is a back elevation view thereof;

FIG. 5 is a top plan view thereof;

FIG. 6 is a side elevation view thereof; and

FIG. 7 is a bottom plan view thereof.

[56] References Cited

U.S. PATENT DOCUMENTS

D. 226,850 5/1973 Hull D22/141
4,261,528 4/1981 McKinney D22/141 X

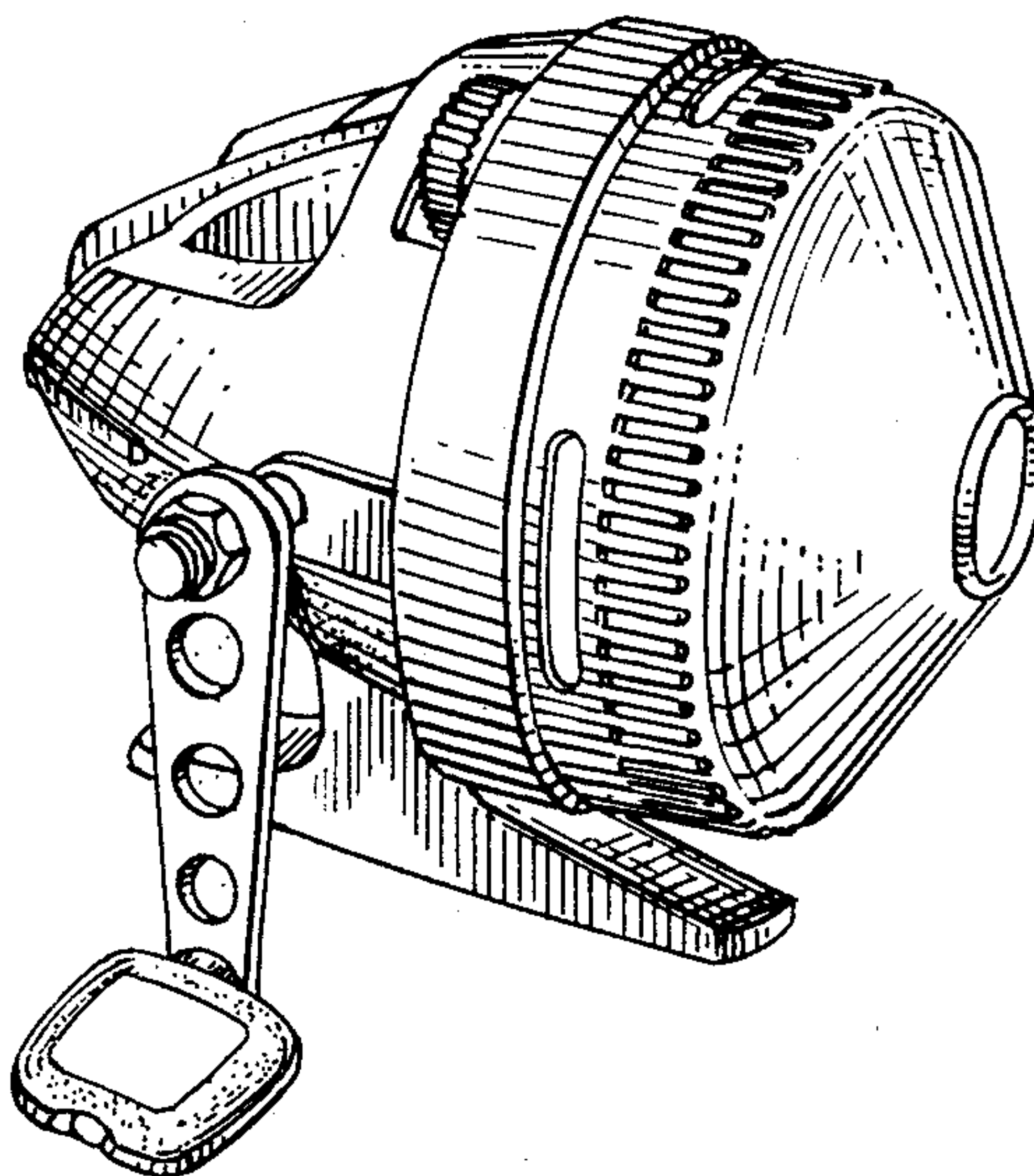


FIG. 1

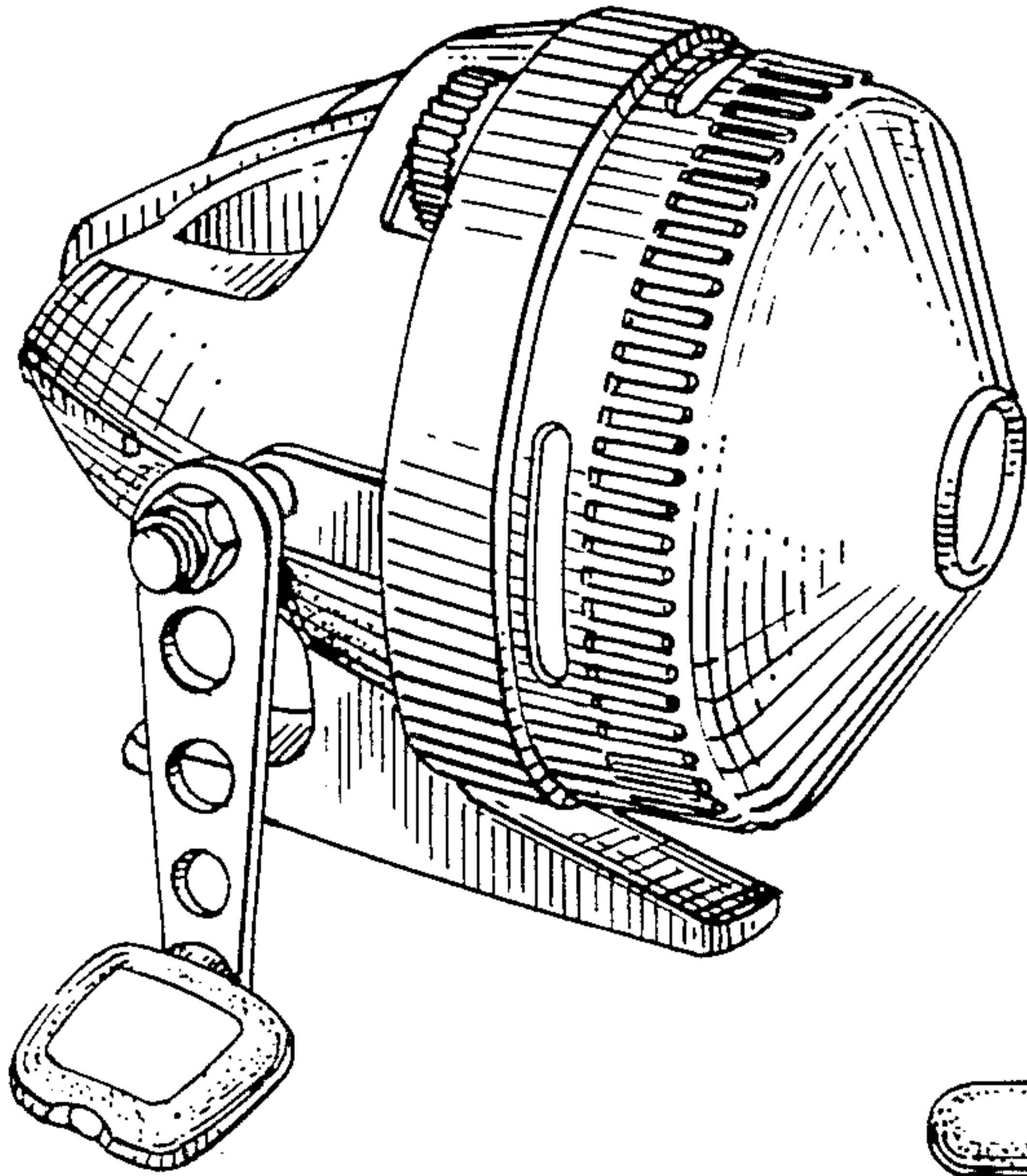


FIG. 2

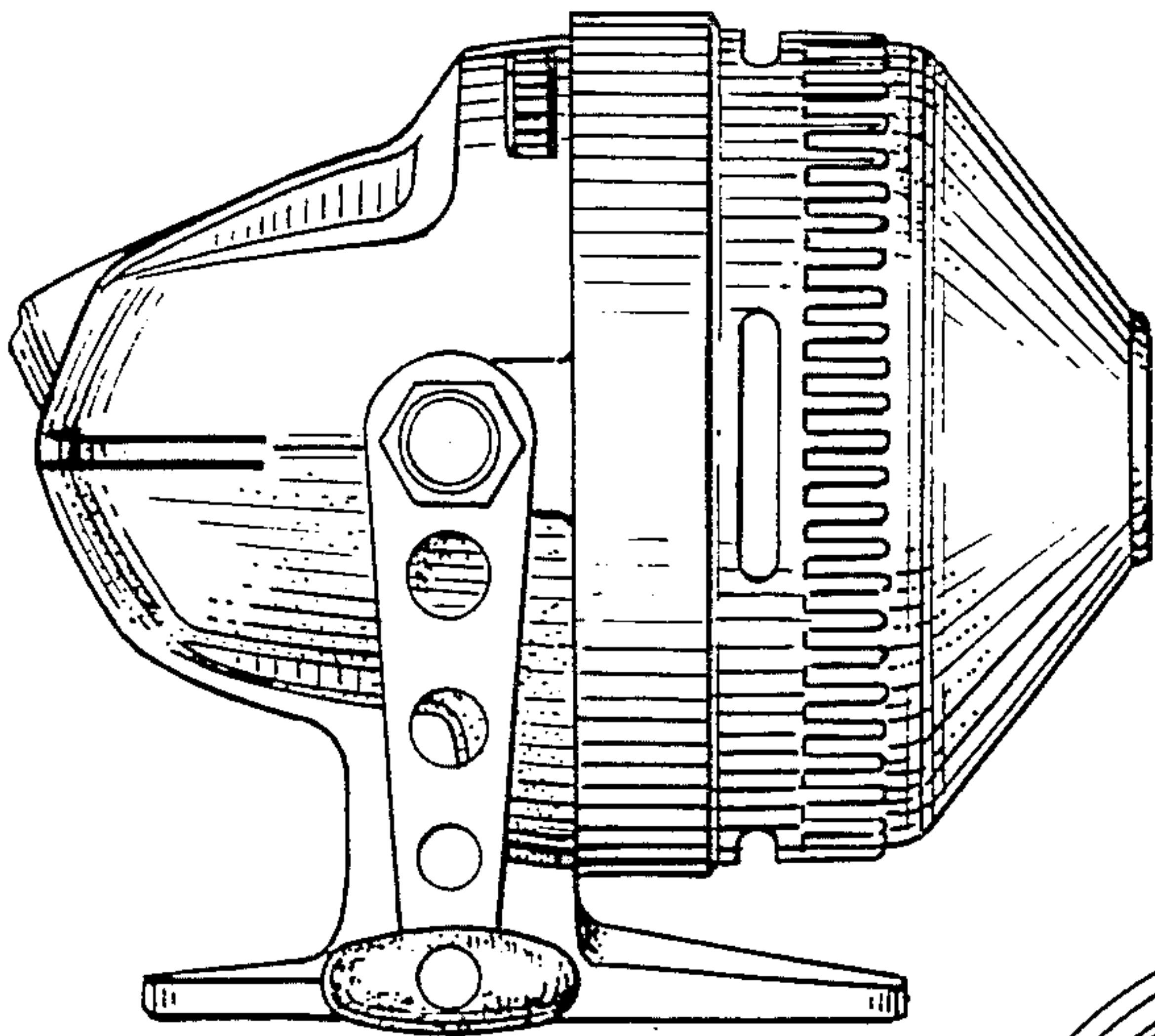
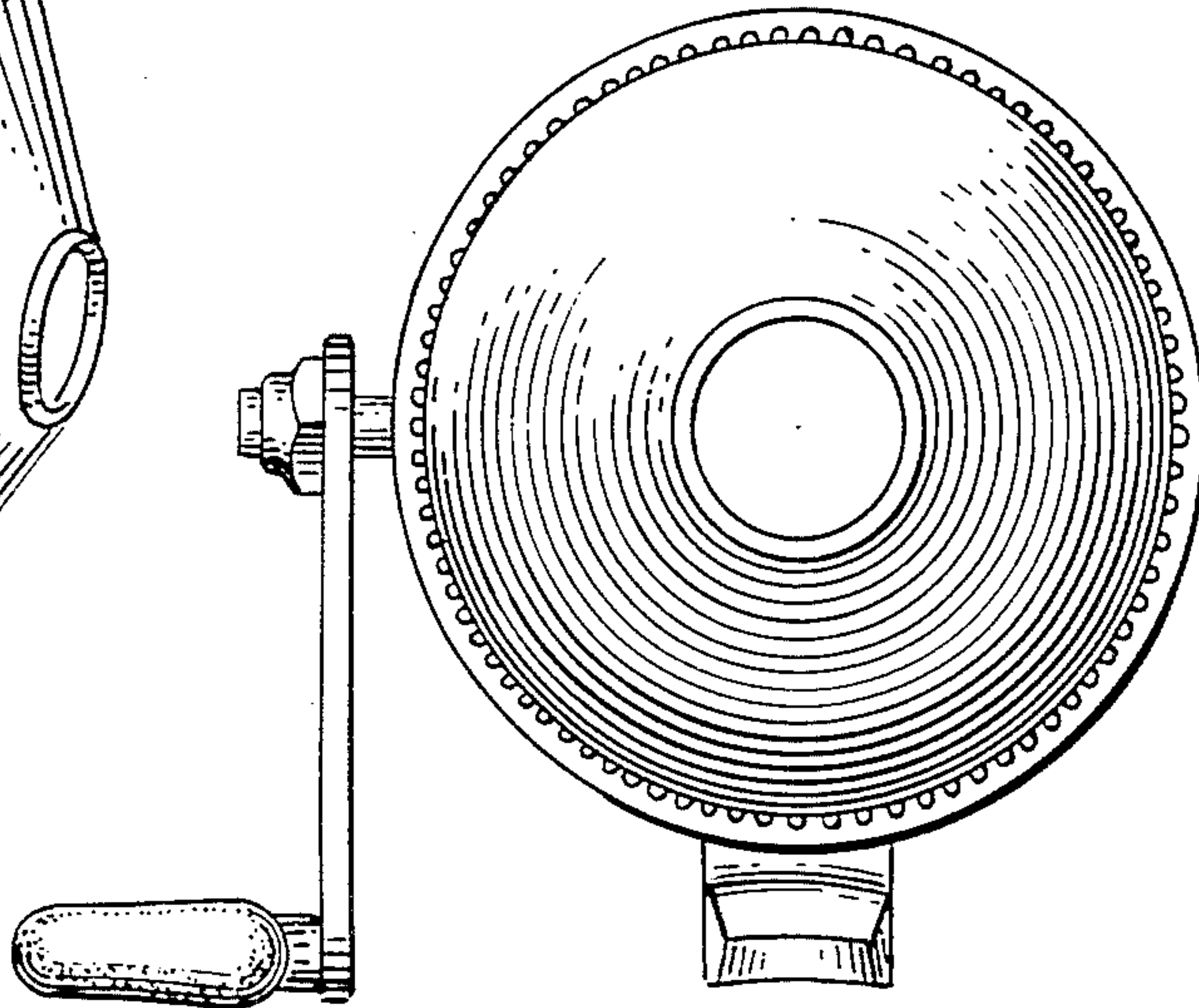
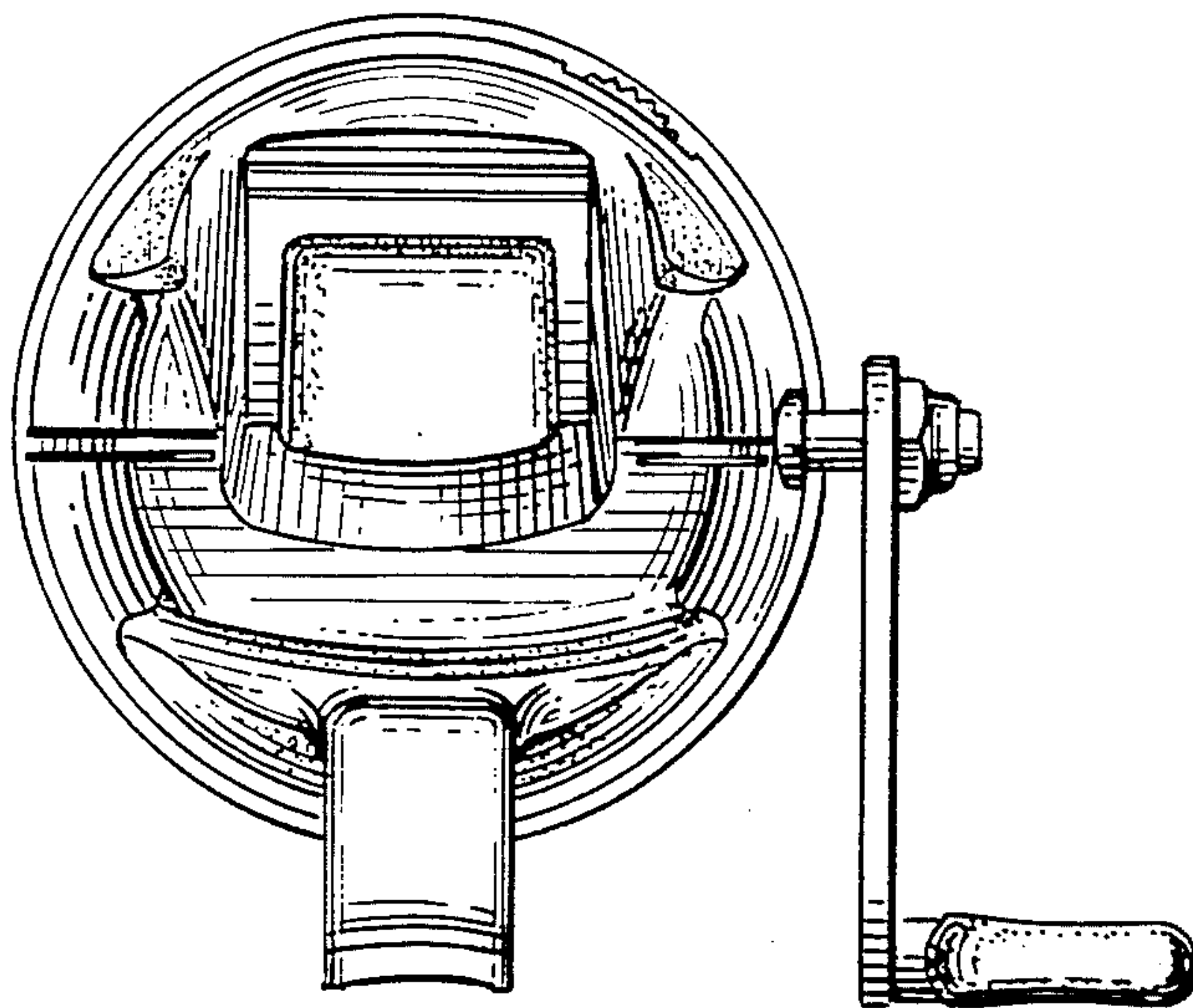


FIG. 3

FIG. 4



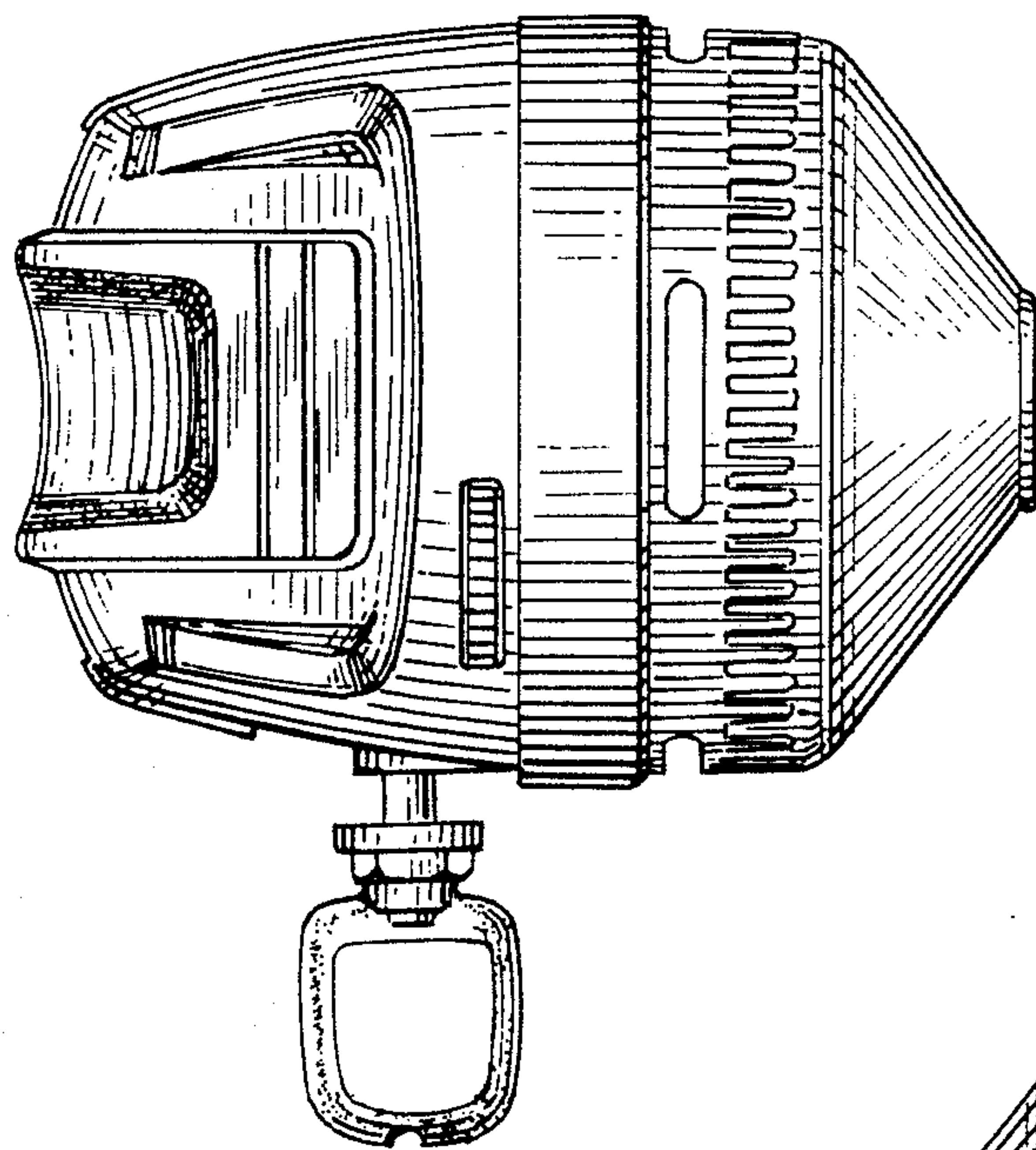


FIG. 5

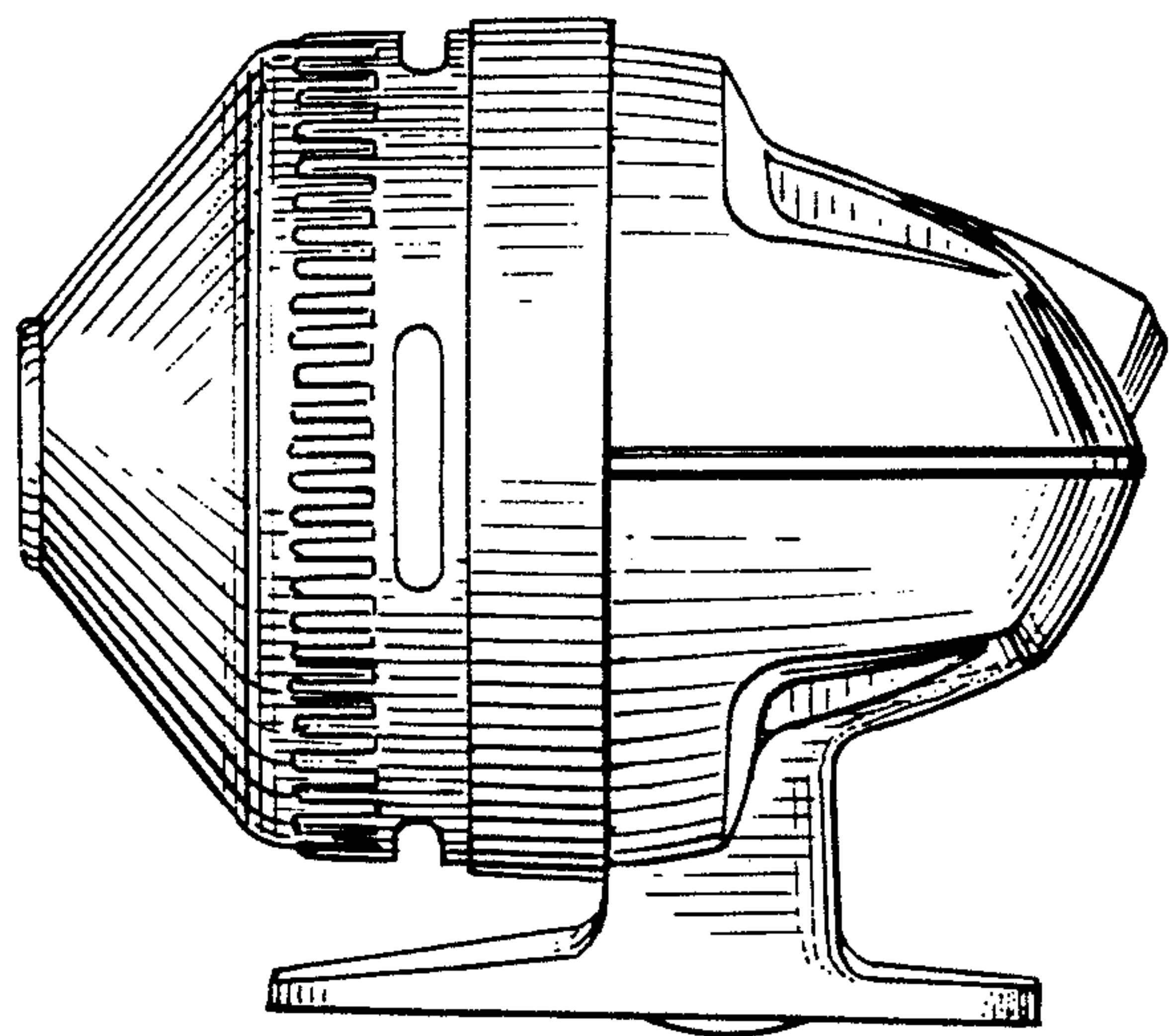


FIG. 6

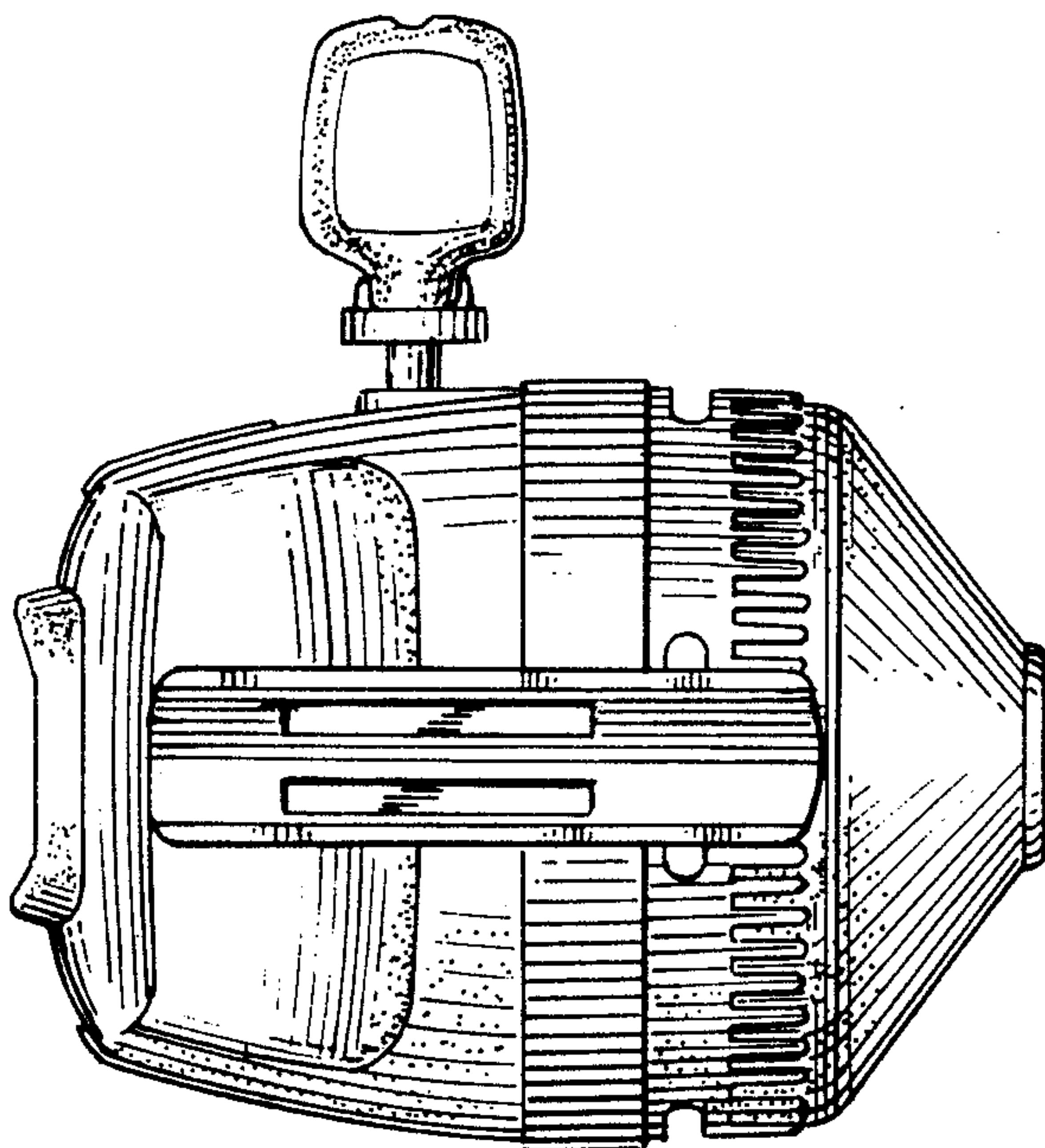


FIG. 7