

[54] FISHING REEL

[75] Inventor: Hideo Nakamura, Tokyo, Japan

[73] Assignee: Daiwa Seiko, Inc., Tokyo, Japan

[\*\*] Term: 14 Years

[21] Appl. No.: 675,810

[22] Filed: Nov. 28, 1984

[30] Foreign Application Priority Data

May 29, 1984 [JP] Japan ..... 59-21969

[52] U.S. Cl. .... D22/140

[58] Field of Search ..... D22/140, 141;  
242/84.1 R, 84.1 J, 84.2 R, 84.2 J, 84.21 R,  
84.21 A

[56] References Cited

U.S. PATENT DOCUMENTS

D. 258,904 4/1981 Myojo ..... D22/140

D. 266,184 9/1982 Inuma ..... D22/140

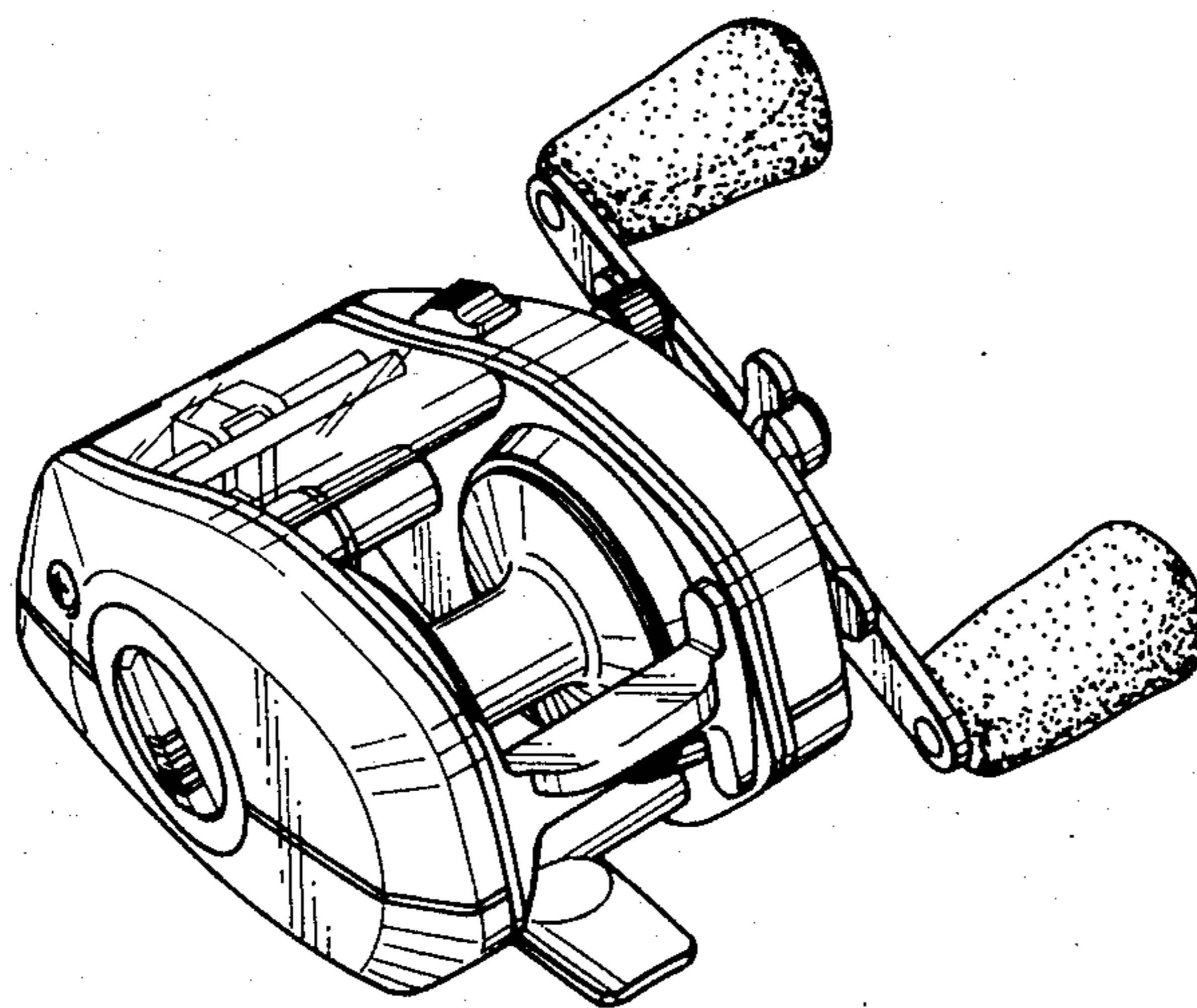
Primary Examiner—A. Hugo Word  
Attorney, Agent, or Firm—Sughrue, Mion, Zinn  
Macpeak & Seas

[57] CLAIM

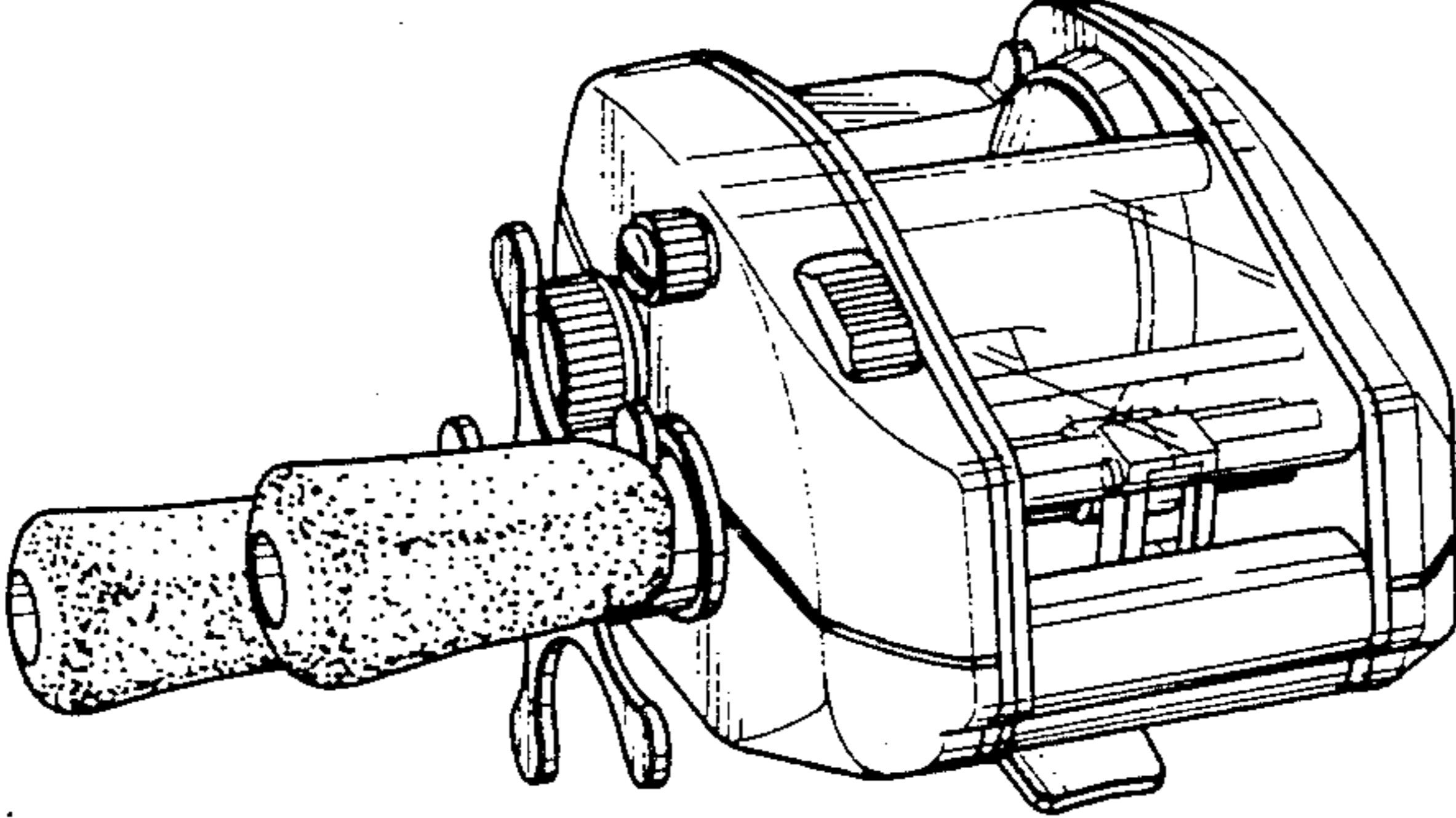
The ornamental design for a fishing reel, as shown.

DESCRIPTION

FIG. 1 is a perspective view showing the top, front, and one side of a fishing reel showing my new design; FIG. 2 is a perspective view showing the top, rear, and opposite side thereof; FIG. 3 is a side elevation view of said opposite side thereof; FIG. 4 is a side elevation view of said one side thereof; FIG. 5 is a front elevation view thereof; FIG. 6 is a rear elevation view thereof; FIG. 7 is a top plan view thereof; and FIG. 8 is a bottom plan view thereof.



*Fig. 1*



*Fig. 2*

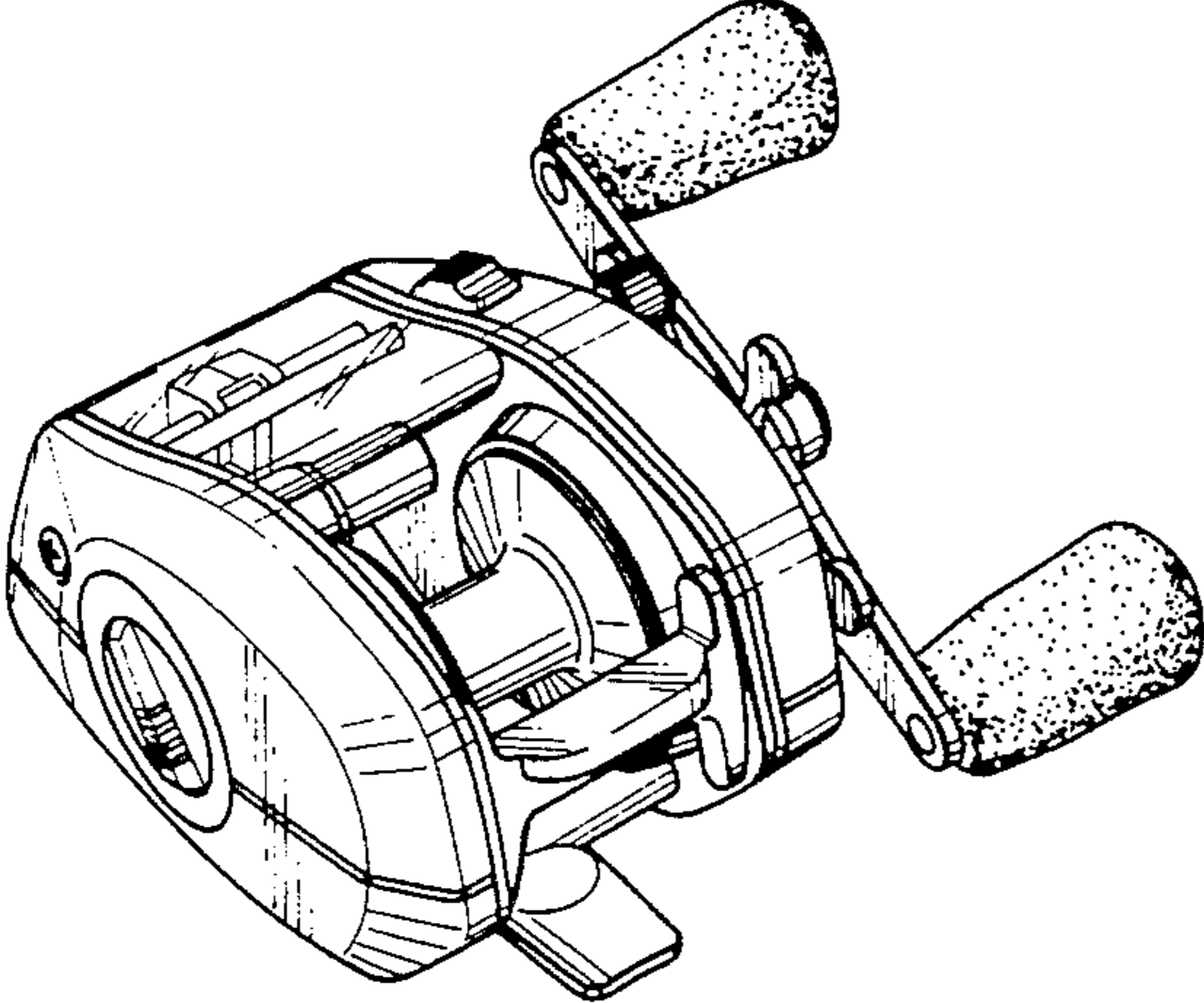


Fig. 3

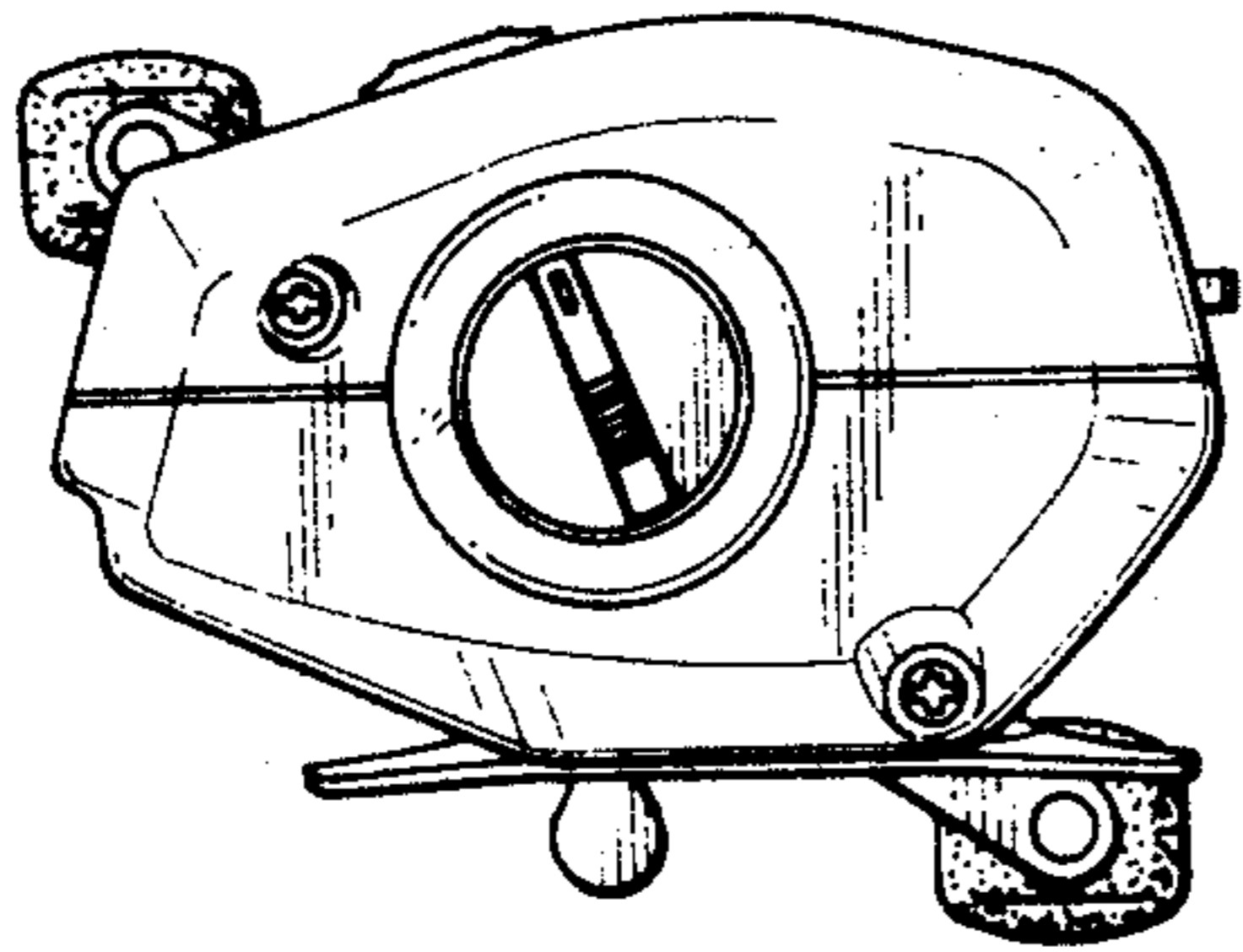


Fig. 4

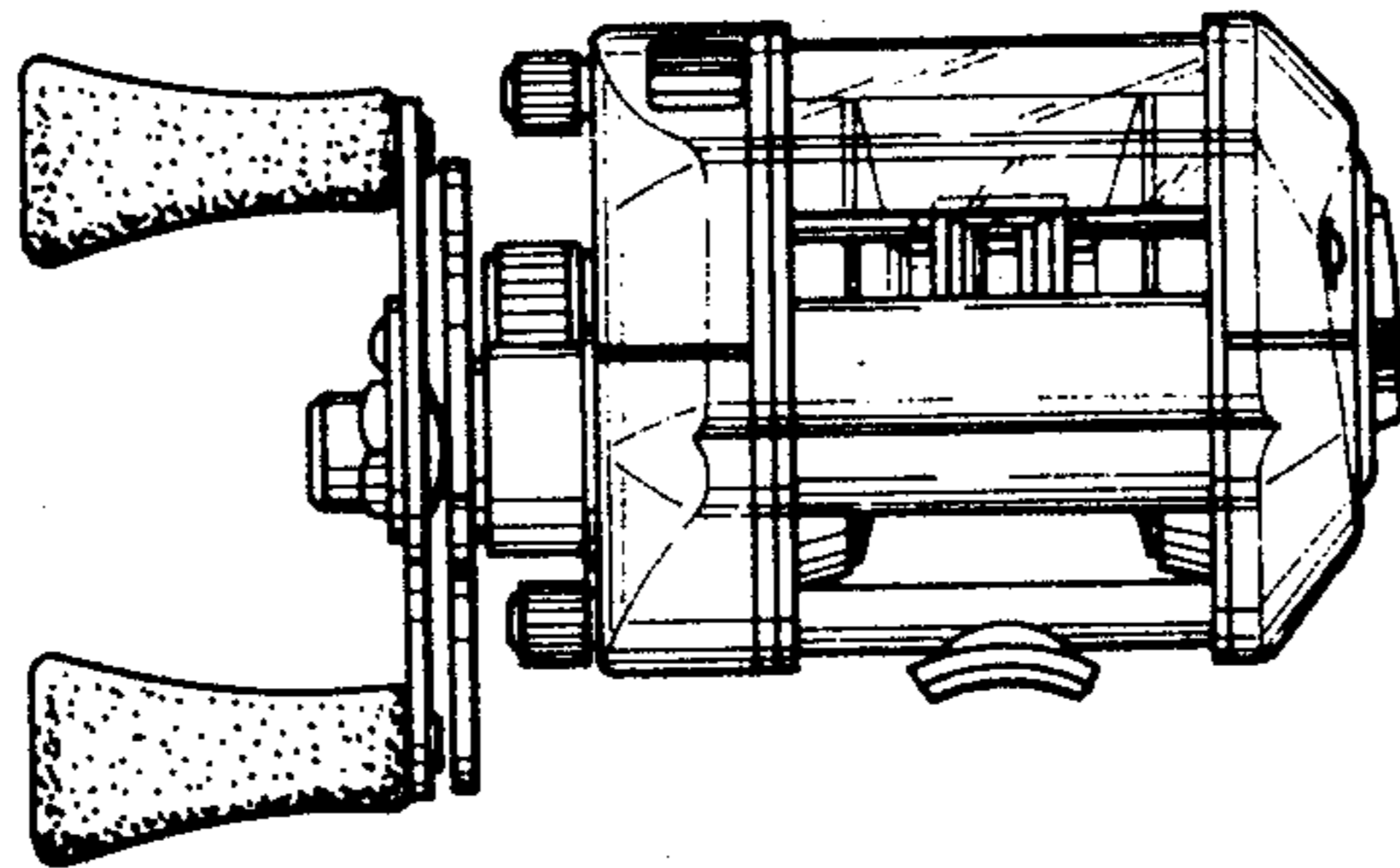
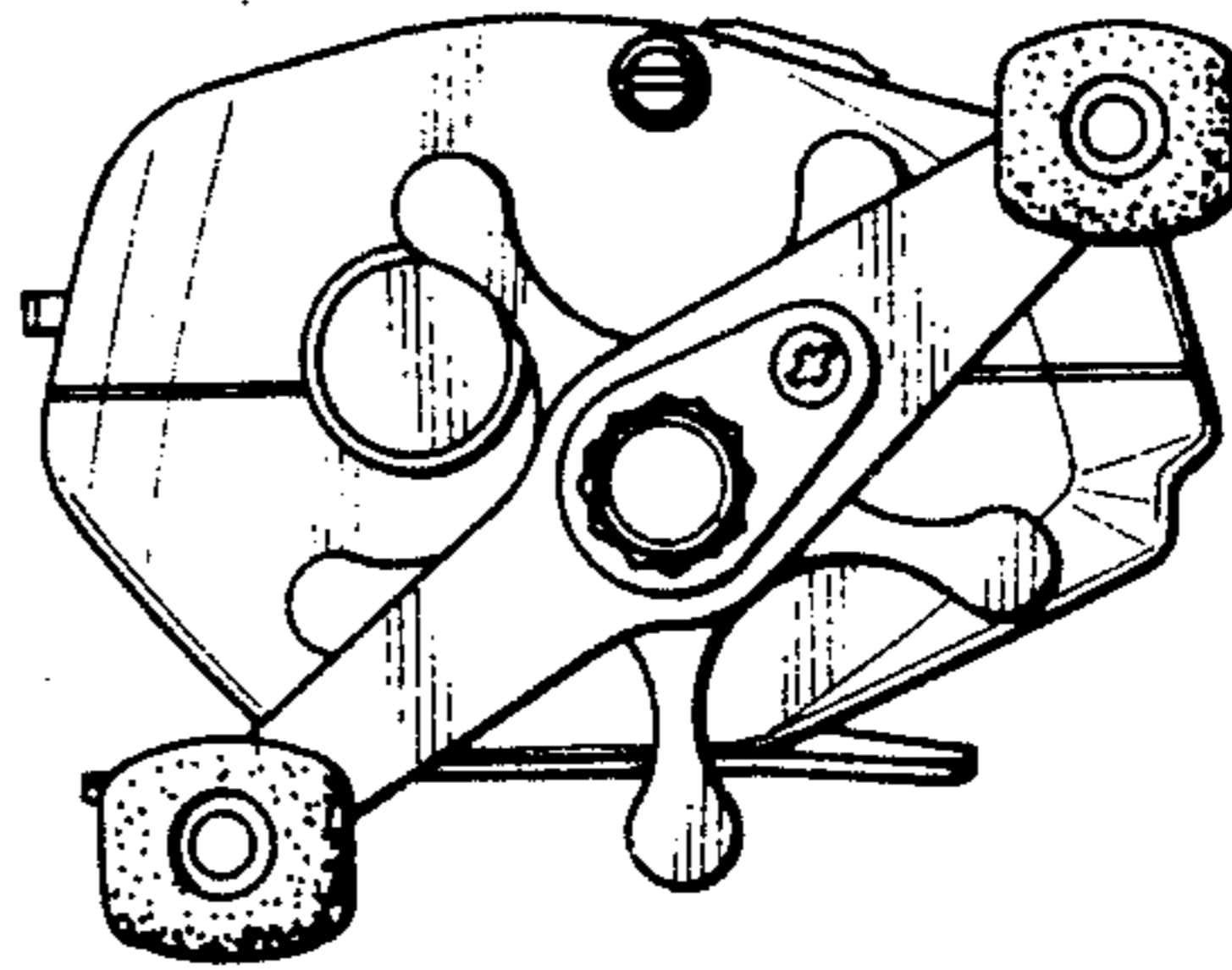
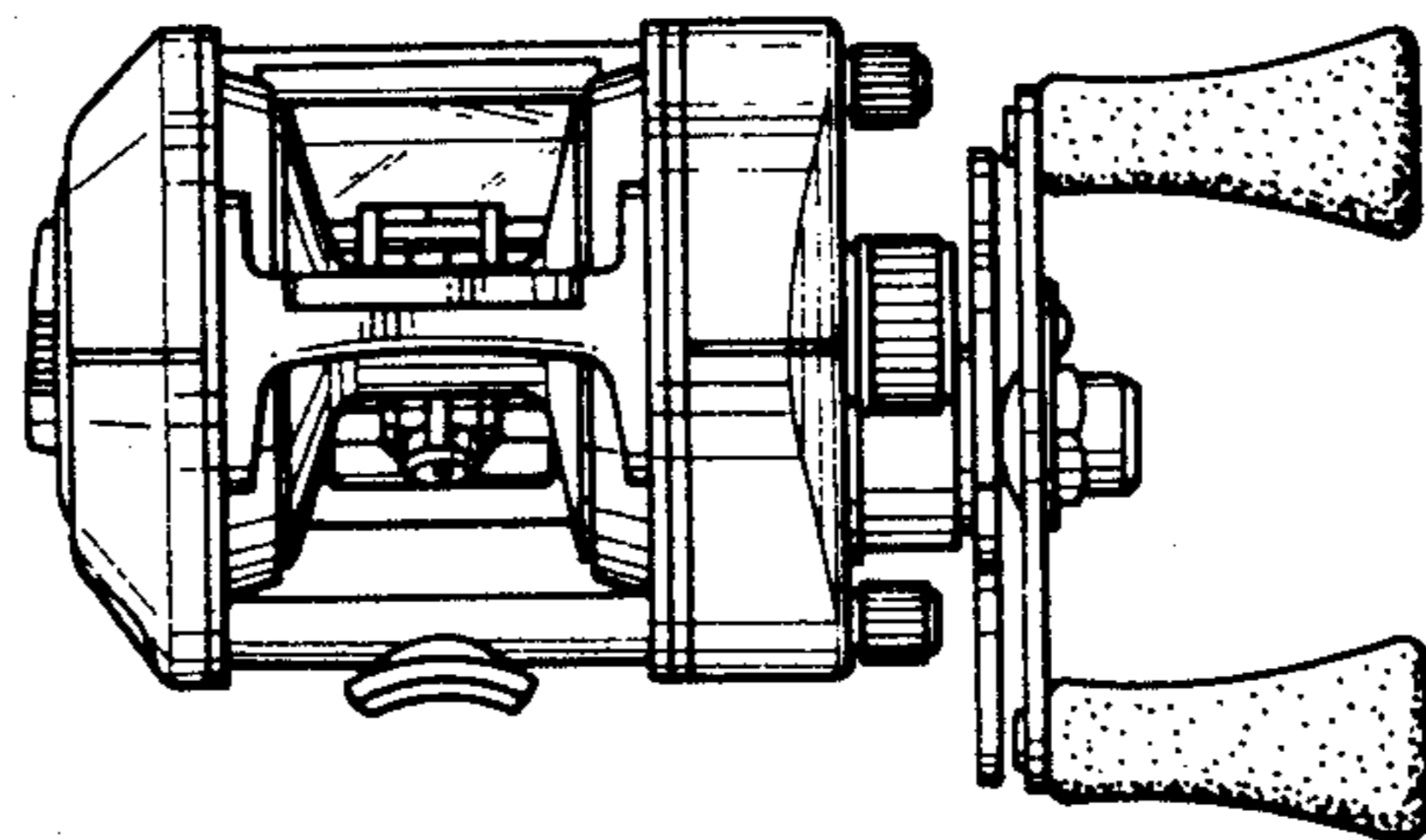
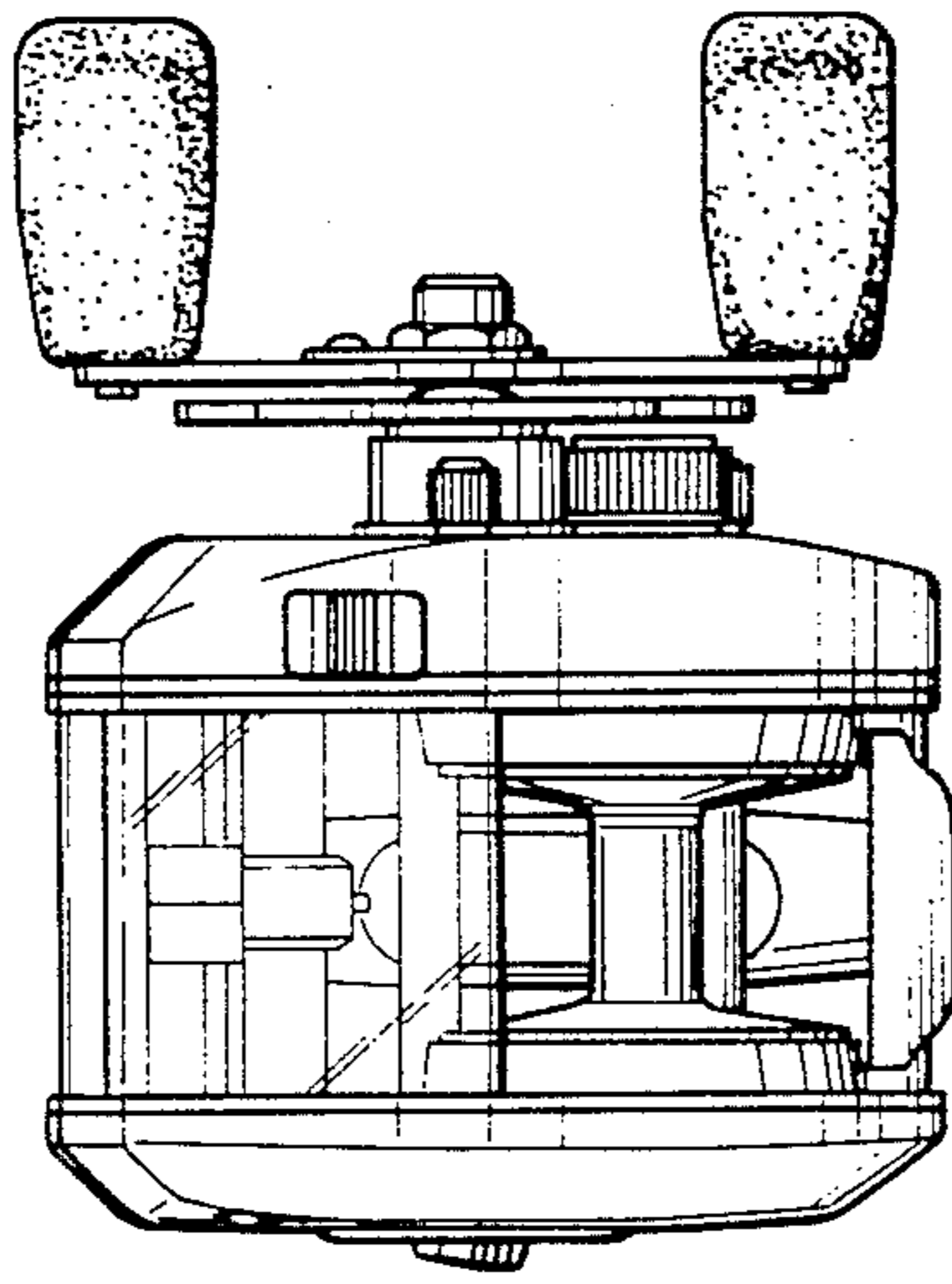


Fig. 5

Fig. 6



*Fig. 7*



*Fig. 8*

