

[54] **TELESCOPIC TOY BUILDING ELEMENT**

[75] **Inventor: Erling T. Dideriksen, Billund, Denmark**

[73] **Assignee: Interlego A.G., Baar, Switzerland**

[**] **Term: 14 Years**

[21] **Appl. No.: 805,197**

[22] **Filed: Dec. 4, 1985**

[52] **U.S. Cl. D21/108**

[58] **Field of Search D21/108; 446/85, 104, 446/106, 107, 108, 110, 105, 117, 118, 120, 121, 122, 124, 126, 127, 109**

[56] **References Cited**

U.S. PATENT DOCUMENTS

- D. 244,307 5/1977 Maddestra et al. D21/108
- D. 246,927 1/1978 Christiansen D21/108
- 3,640,017 2/1972 Christiansen 446/109

FOREIGN PATENT DOCUMENTS

- 1190906 10/1959 France 446/97

Primary Examiner—Charles A. Rademaker
Attorney, Agent, or Firm—Kane, Dalsimer, Kane, Sullivan and Kurucz

[57] **CLAIM**

The ornamental design for a telescopic toy building element, as shown and described.

DESCRIPTION

FIG. 1 is a top perspective view of a telescopic toy building element in fully retracted position showing my new design;

FIG. 2 is a top plan view thereof;

FIG. 3 is a front elevational view thereof;

FIG. 4 is a side elevational view thereof;

FIG. 5 is a rear elevational view thereof;

FIG. 6 is a bottom view thereof;

FIG. 7 is a top perspective view of the telescopic toy building element in partially extended position;

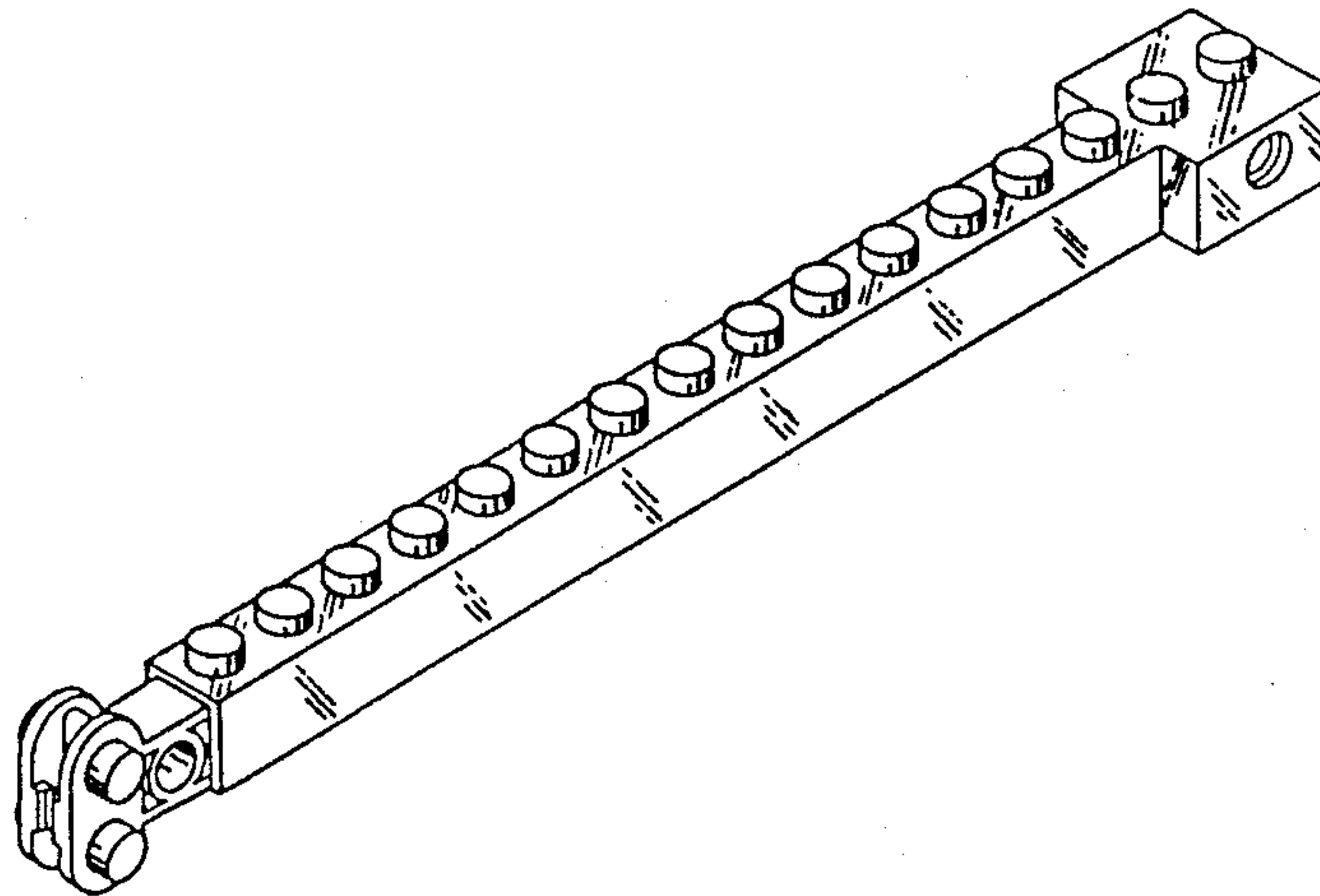
FIG. 8 is a top plan view thereof;

FIG. 9 is a front elevational view thereof;

FIG. 10 is a side elevational view thereof;

FIG. 11 is a rear elevational view thereof; and

FIG. 12 is a bottom view thereof.



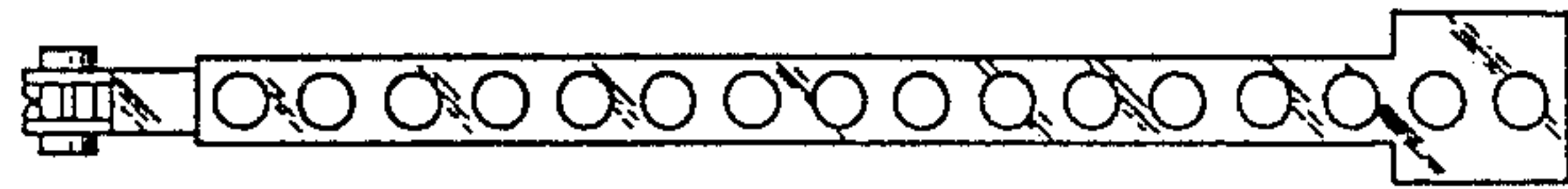


FIG. 2



FIG. 4

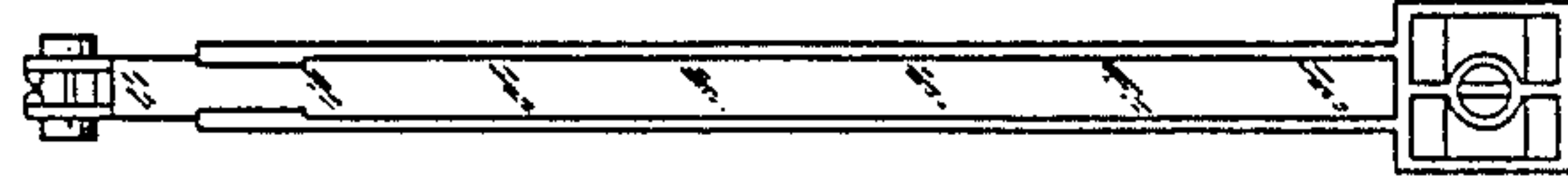


FIG. 6

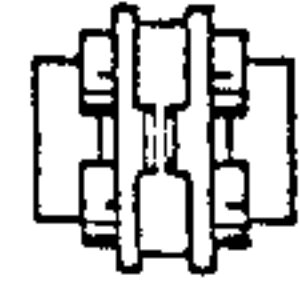


FIG. 3

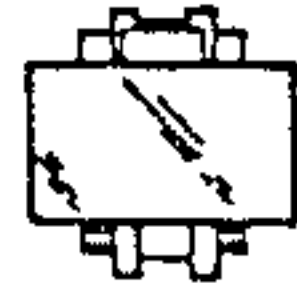


FIG. 5

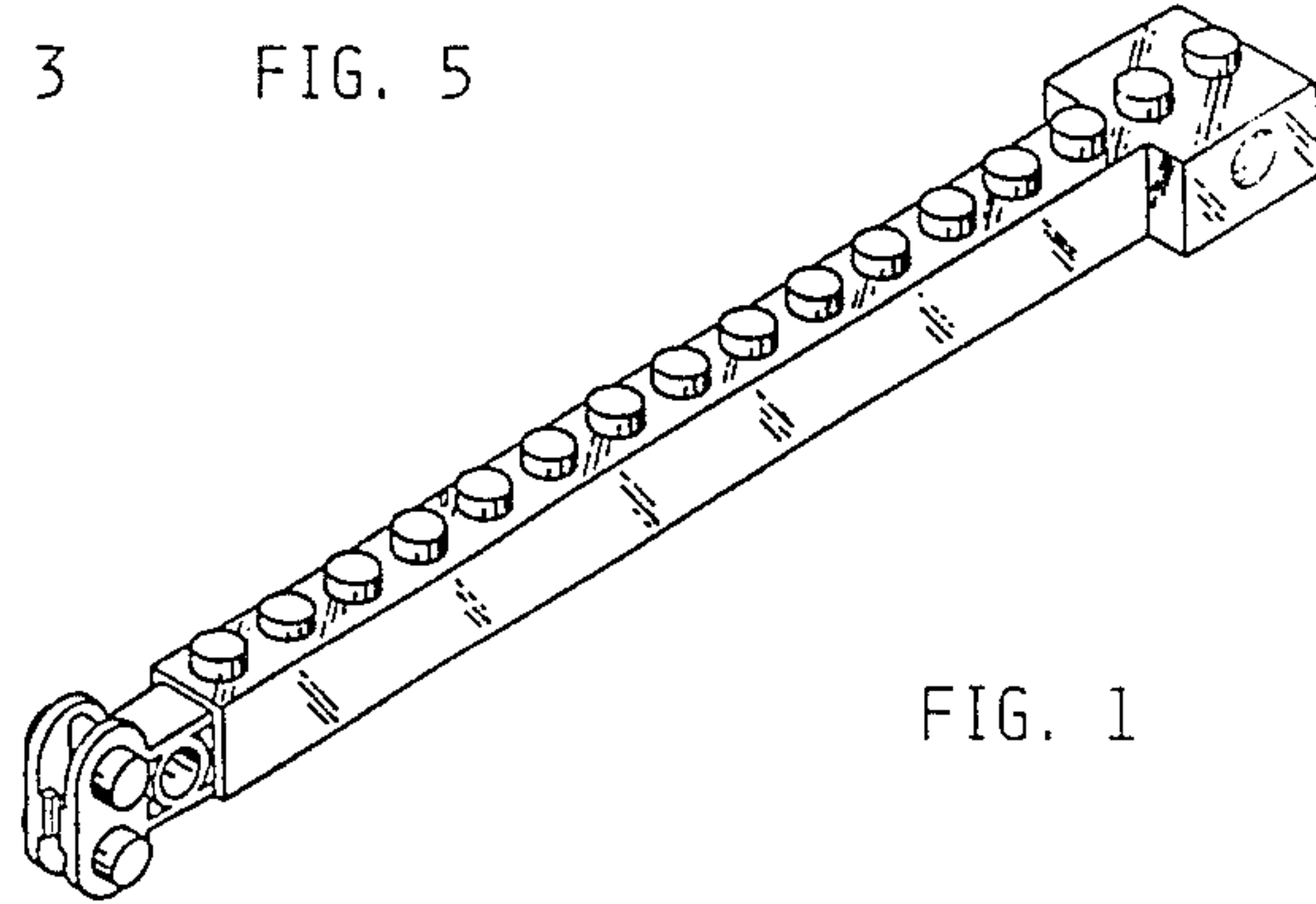


FIG. 1

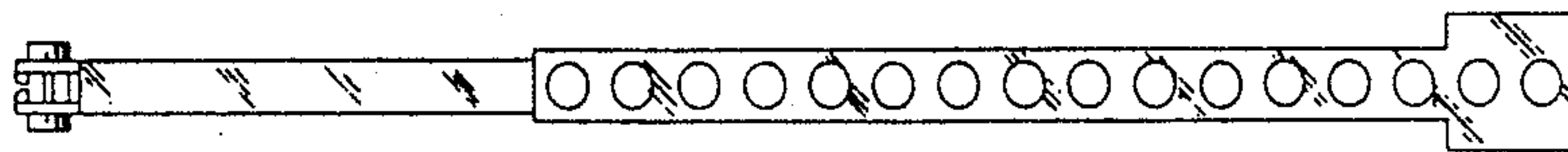


FIG. 8

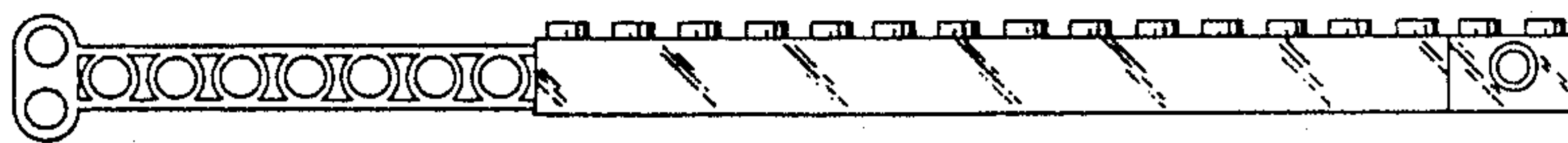


FIG. 10

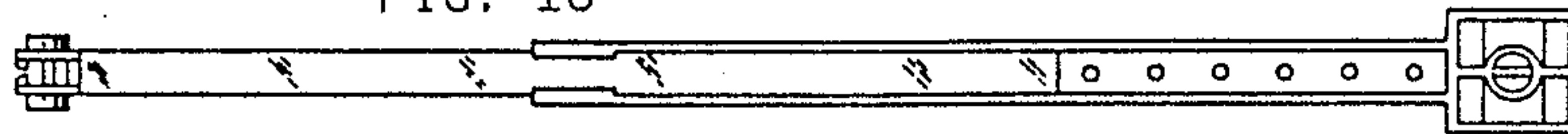


FIG. 12

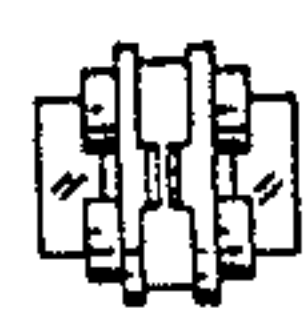


FIG. 9

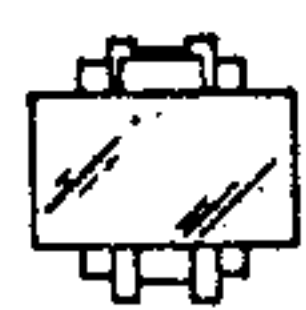


FIG. 11

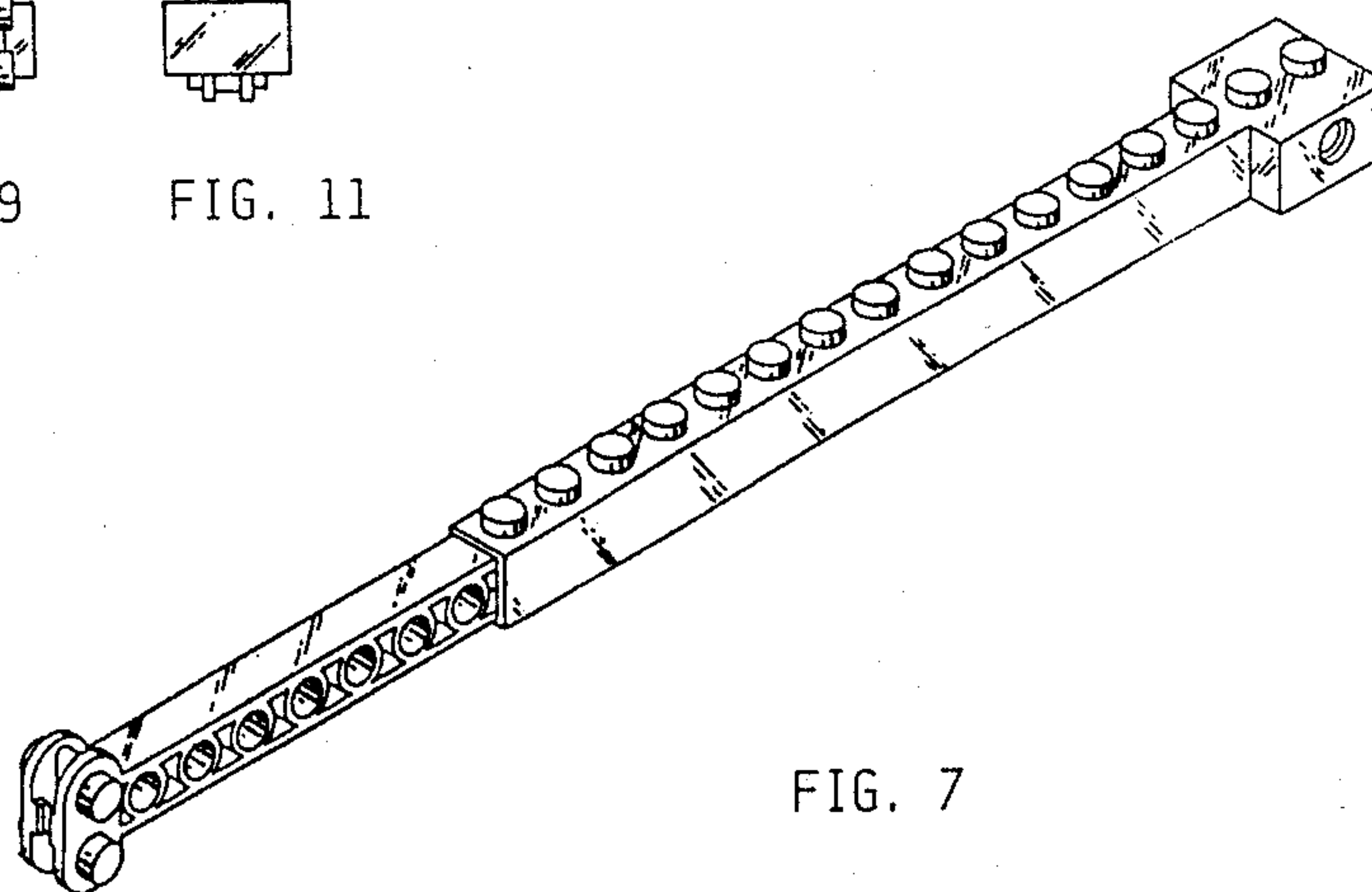


FIG. 7