

[54] **TOY BUILDING PIECE**

[75] **Inventor: Jens N. Knudsen, Billund, Denmark**

[73] **Assignee: Interlego A.G., Baar, Switzerland**

[**] **Term: 14 Years**

[21] **Appl. No.: 805,190**

[22] **Filed: Dec. 4, 1985**

[52] **U.S. Cl. D21/108**

[58] **Field of Search D21/108; 446/85, 97, 446/99, 104, 105, 106, 107, 108, 109, 110, 117, 118, 120, 121, 122, 124, 126, 127; D25/80, 94, 93**

[56] **References Cited**

U.S. PATENT DOCUMENTS

51,720 12/1865 Aill 446/85
3,822,569 7/1974 Lautrup-Larsen D21/108

FOREIGN PATENT DOCUMENTS

928613 12/1947 France 446/110
184335 8/1986 Switzerland 446/110

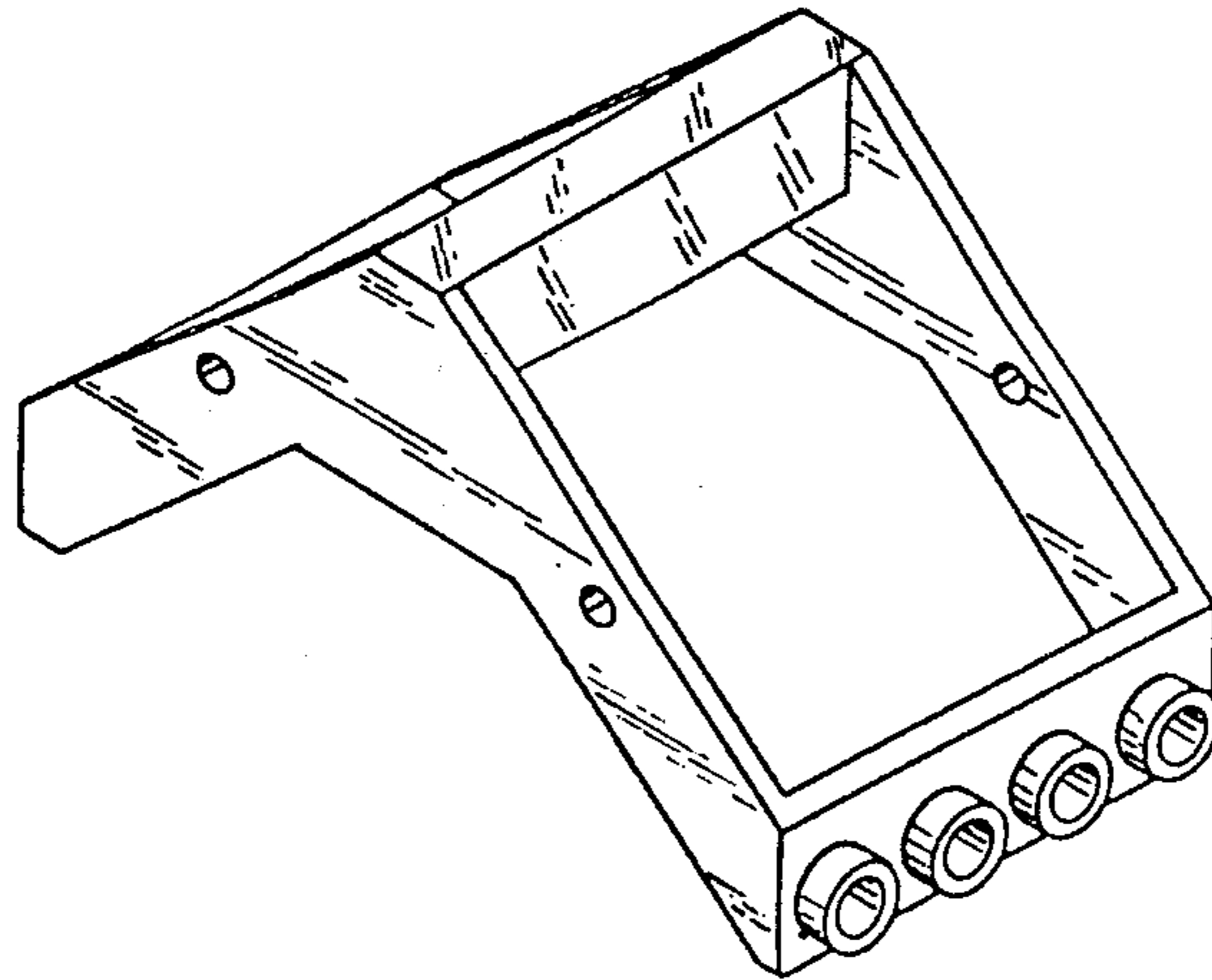
Primary Examiner—Charles A. Rademaker
Attorney, Agent, or Firm—Kane, Dalsimer, Kane, Sullivan and Kurucz

[57] **CLAIM**

The ornamental design for a toy building piece, as shown and described.

DESCRIPTION

FIG. 1 is a top perspective view of a toy building piece showing my new design;
FIG. 2 is a front elevational view thereof;
FIG. 3 is a side elevational view thereof;
FIG. 4 is a top plan view thereof;
FIG. 5 is a bottom plan view thereof; and
FIG. 6 is a rear elevational view thereof.



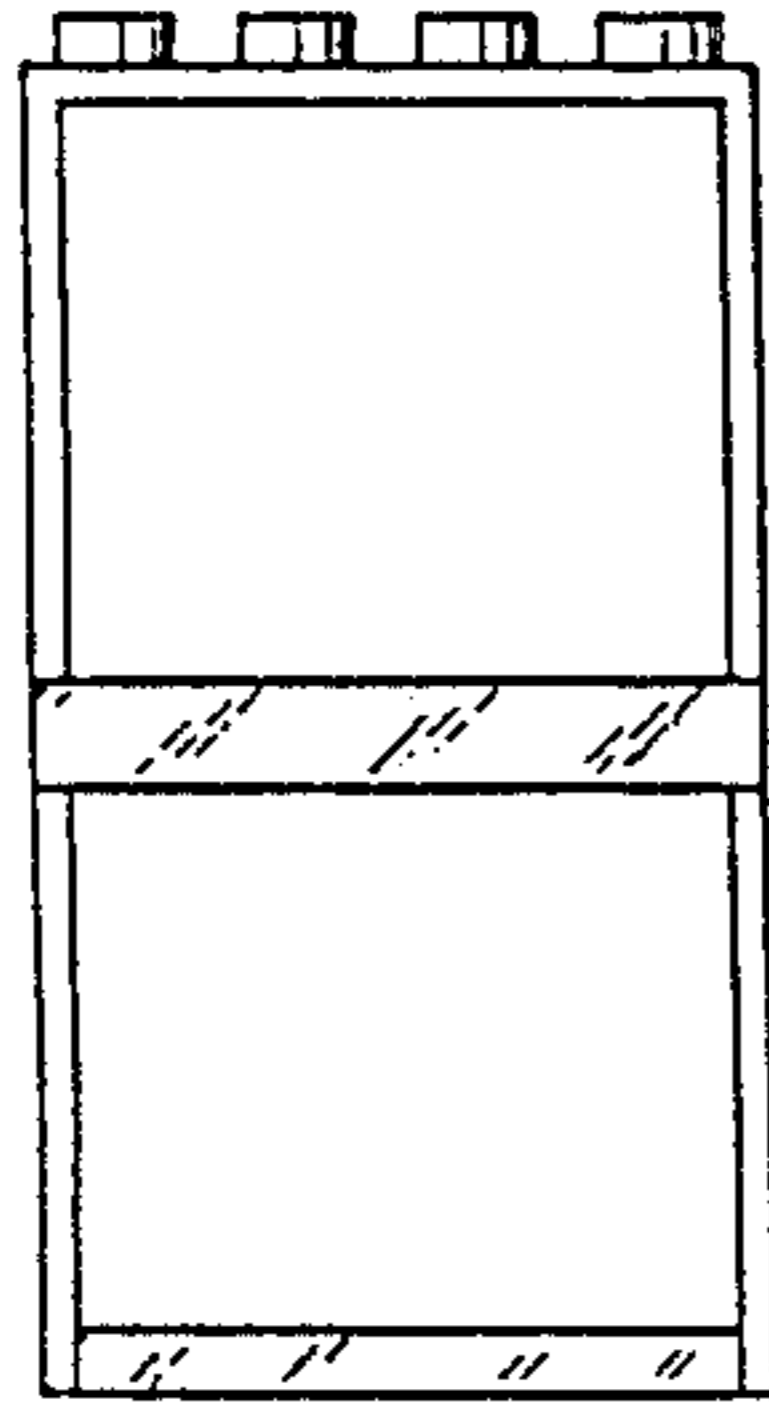


FIG. 2

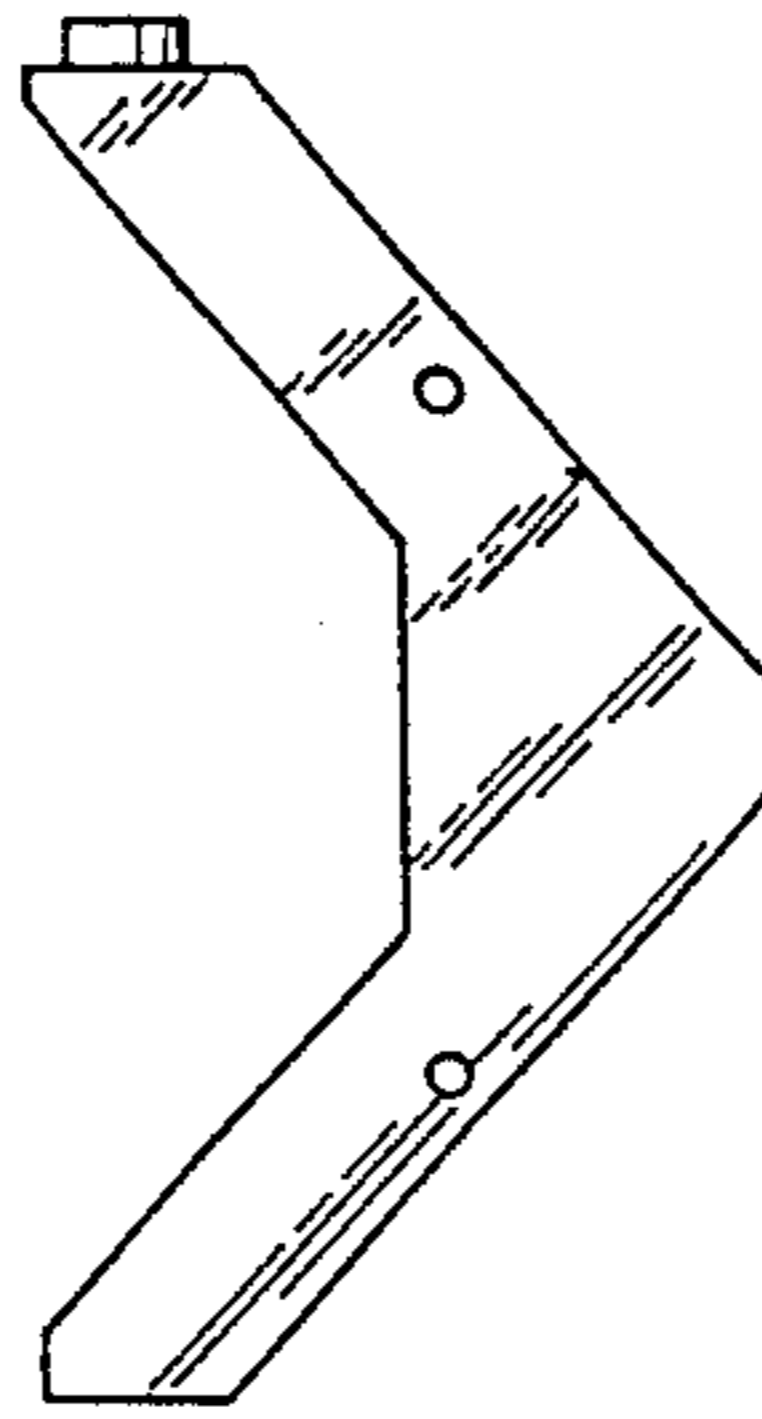


FIG. 3

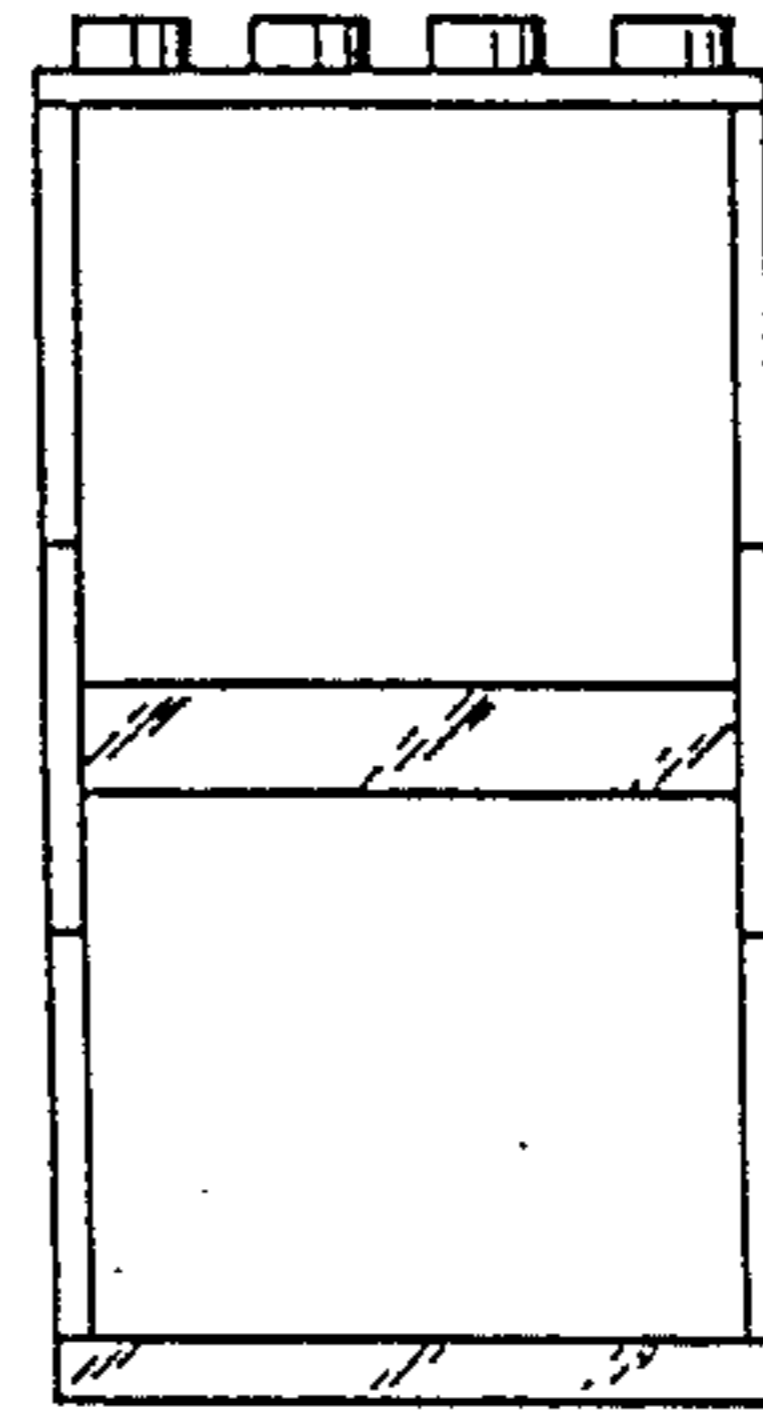


FIG. 6

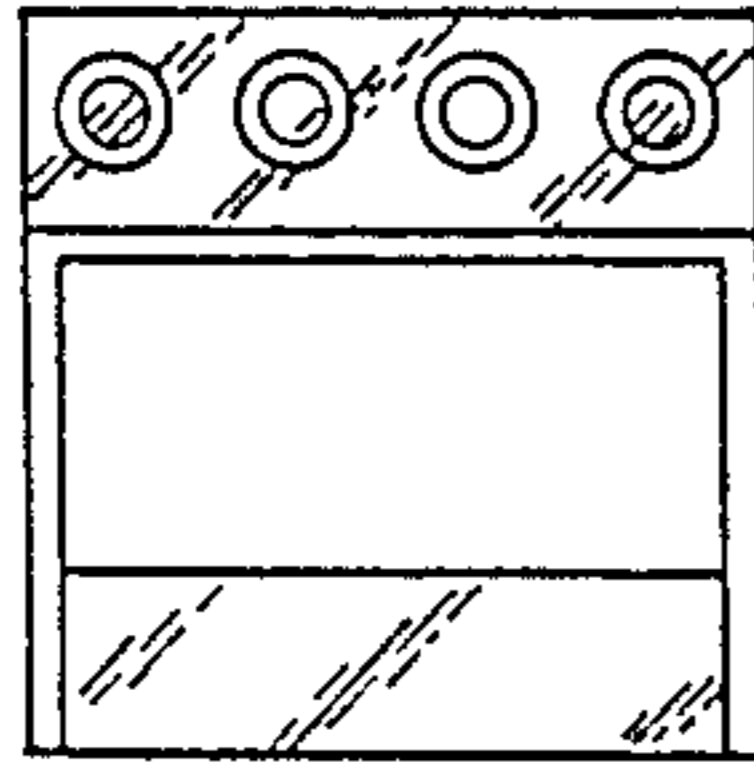


FIG. 4

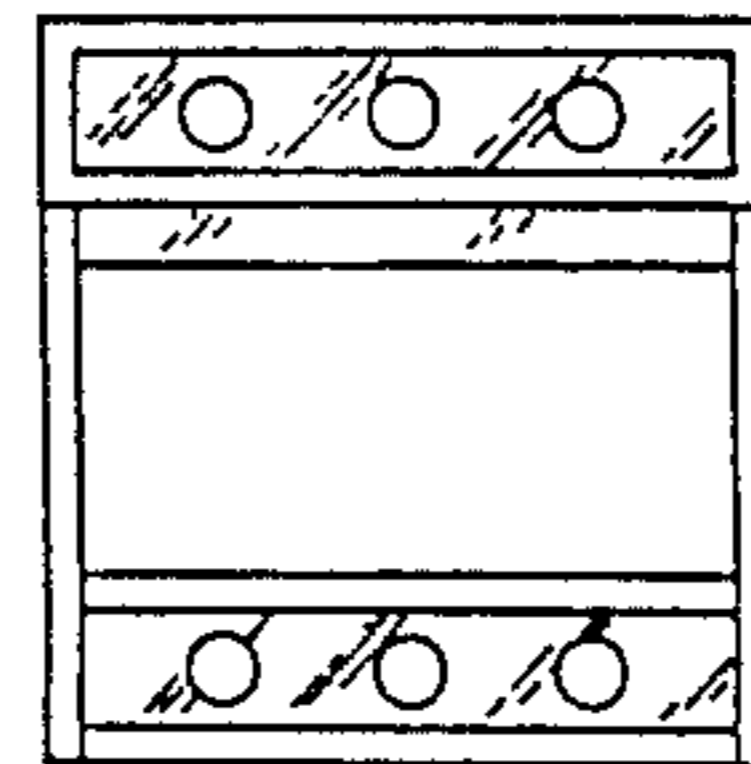


FIG. 5

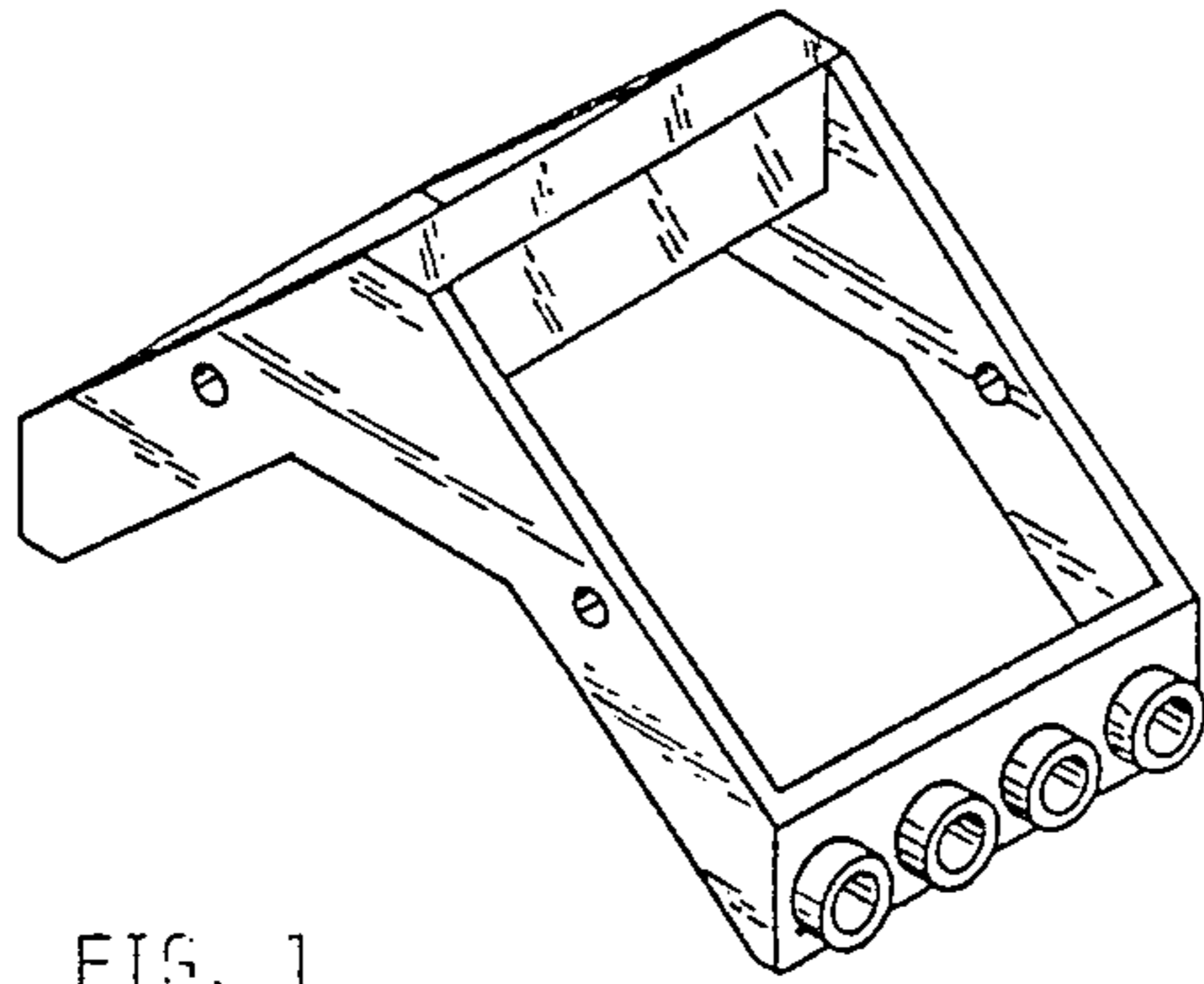


FIG. 1