

[54] RECONFIGURABLE TOY SPACECRAFT

[75] Inventor: Edmond Y. Li, Hong Kong, Hong Kong

[73] Assignee: Blue Box Toy Factory Pte. Limited, Hong Kong, Hong Kong

[**] Term: 14 Years

[21] Appl. No.: 691,773

[22] Filed: Jan. 16, 1985

[30] Foreign Application Priority Data

Oct. 22, 1984 [GB] United Kingdom 1022788

[52] U.S. Cl. D21/87; D21/150; D21/166

[58] Field of Search D21/59, 150, 87, 82, D21/128, 166, 136; D12/319, 320, 321, 335; 446/71, 76, 95, 487

[56] References Cited

U.S. PATENT DOCUMENTS

- D. 219,668 1/1971 King et al. D21/76
- D. 248,886 8/1978 Kato D21/136
- D. 278,643 4/1985 Ogawa D21/128

- D. 279,017 5/1985 Boudreaux D21/128
- D. 279,804 7/1985 Ohno D21/87
- D. 285,589 9/1986 Matsushiro D21/150
- 4,391,060 7/1983 Nakane 446/95
- 4,623,317 11/1986 Nagano 446/487

OTHER PUBLICATIONS

Toys & Novelties, 8-1969, p. 131, item #750, Toy Vehicle.

FAO Schwarz, 1983-1984 Fall-Winter Catalog, p. 20, item F, Combat Jet.

Primary Examiner—Charles A. Rademaker

[57] CLAIM

The ornamental design for a reconfigurable toy spacecraft, as shown and described.

DESCRIPTION

FIG. 1 is a front perspective view of a reconfigurable toy spacecraft showing my new design; FIG. 2 is a side elevational view thereof; FIG. 3 is a rear elevational view thereof; FIG. 4 is a bottom plan view thereof; FIG. 5 is another perspective view of the design shown in FIGS. 1 through 4 in a robot reconfiguration.

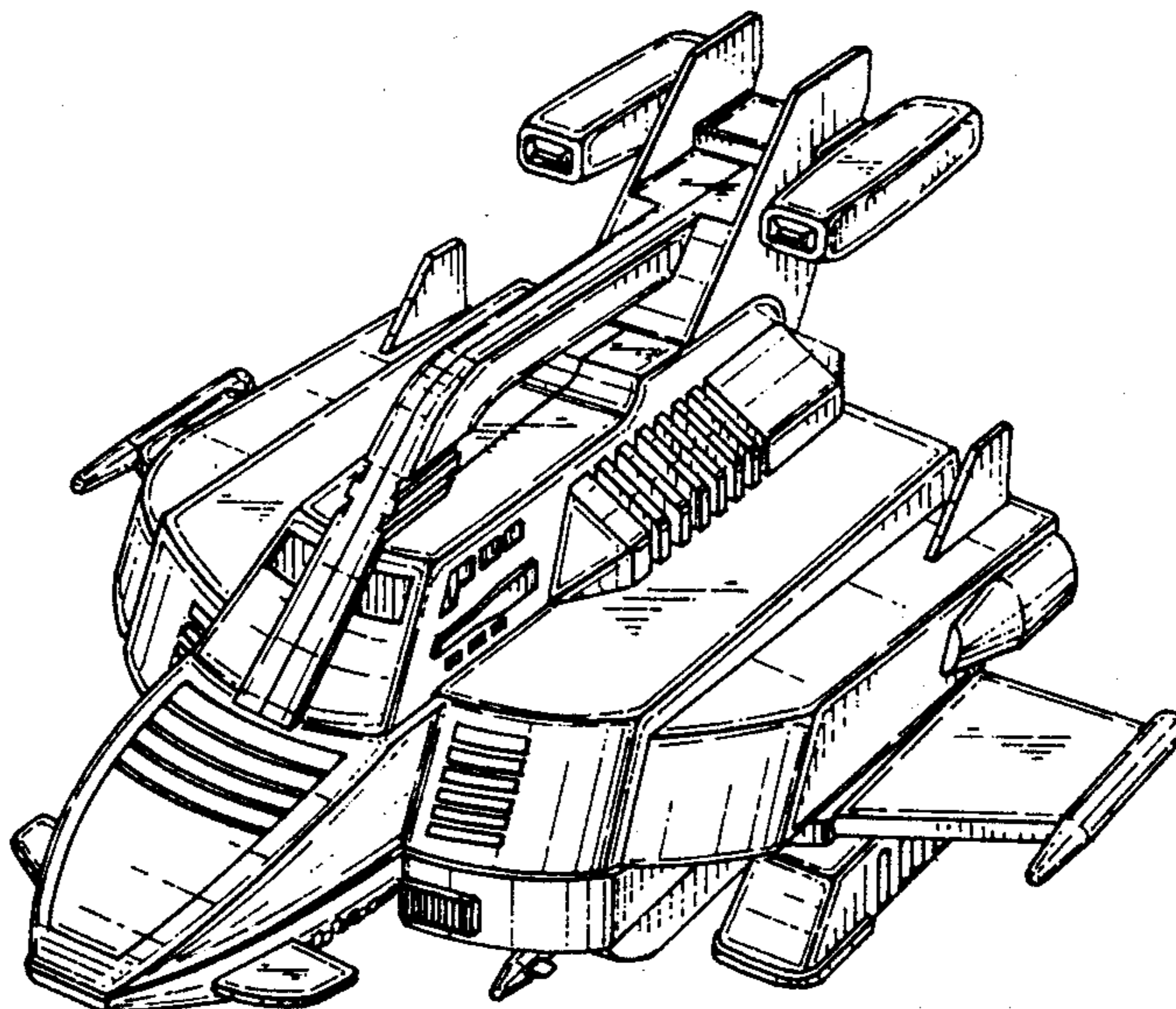


FIG. 1.

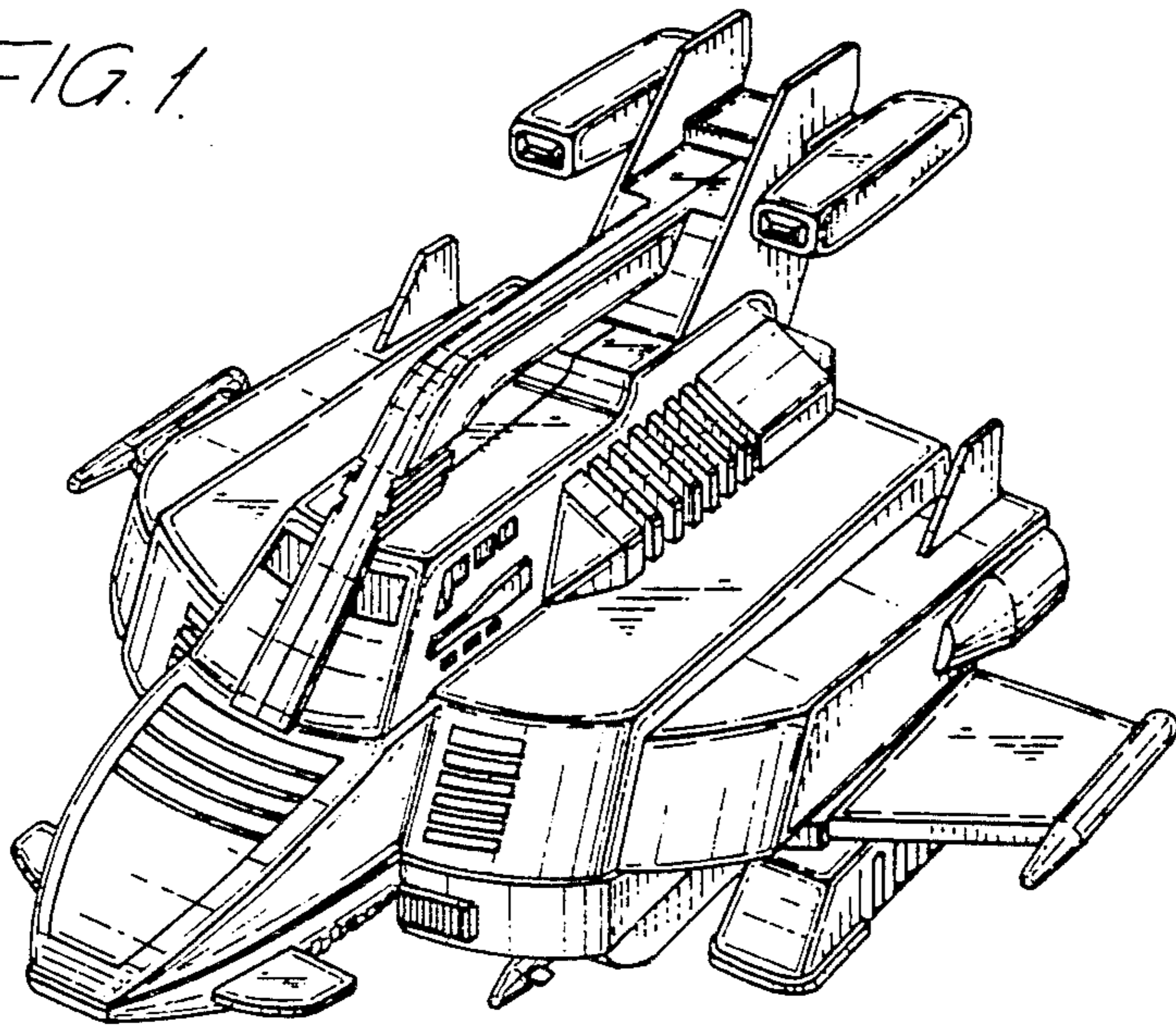


FIG. 2.

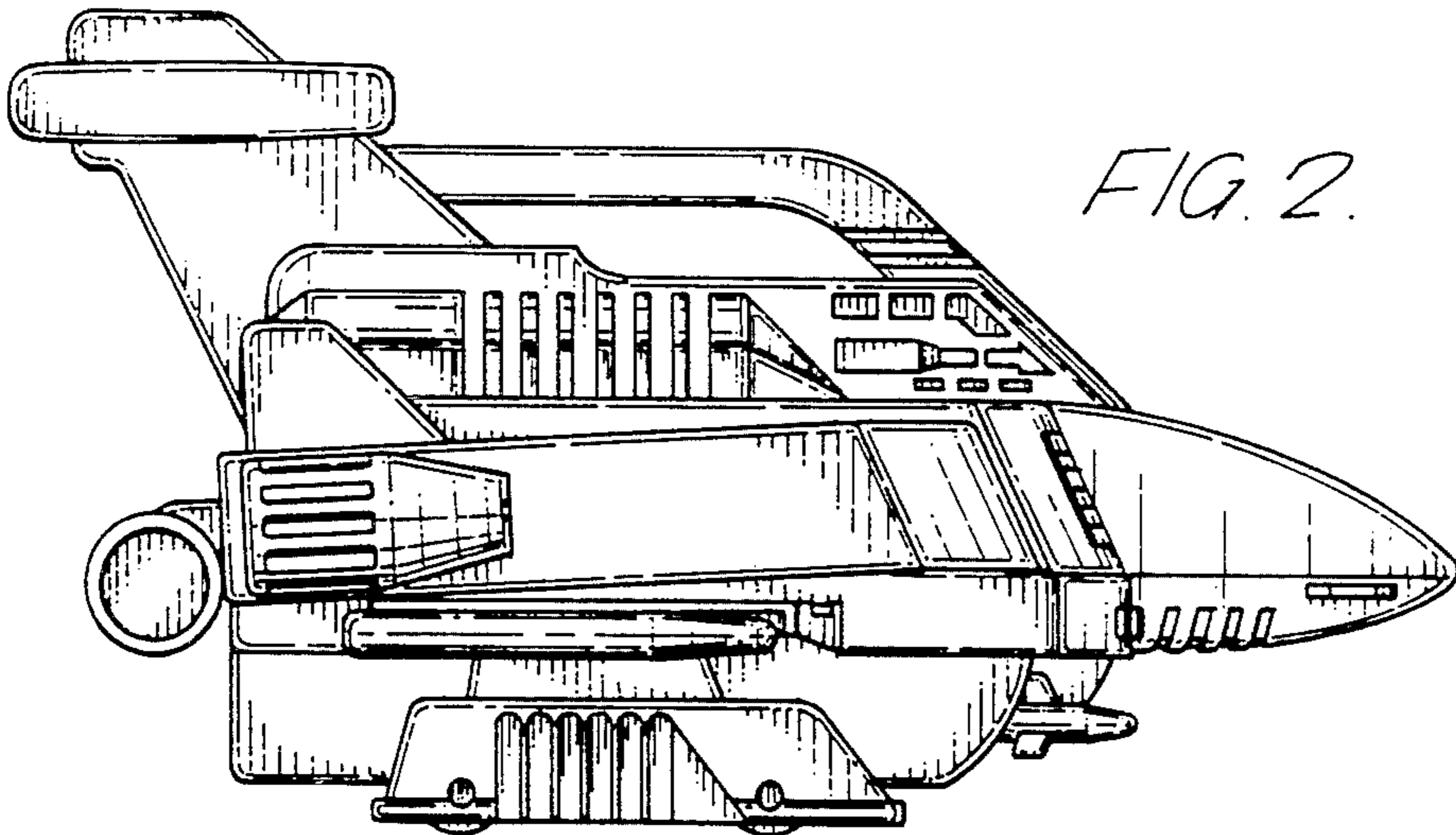


FIG. 3.

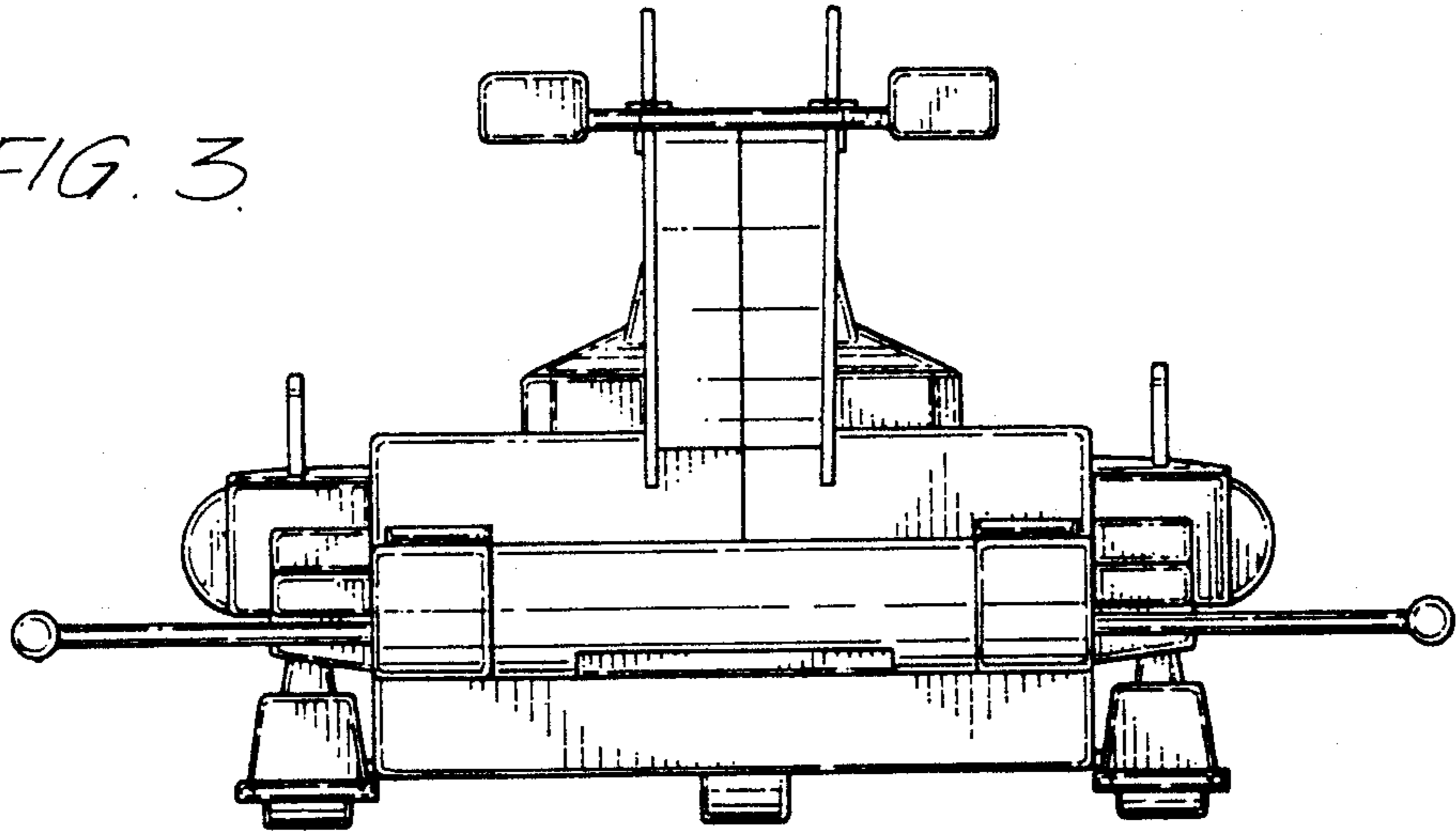


FIG. 4.

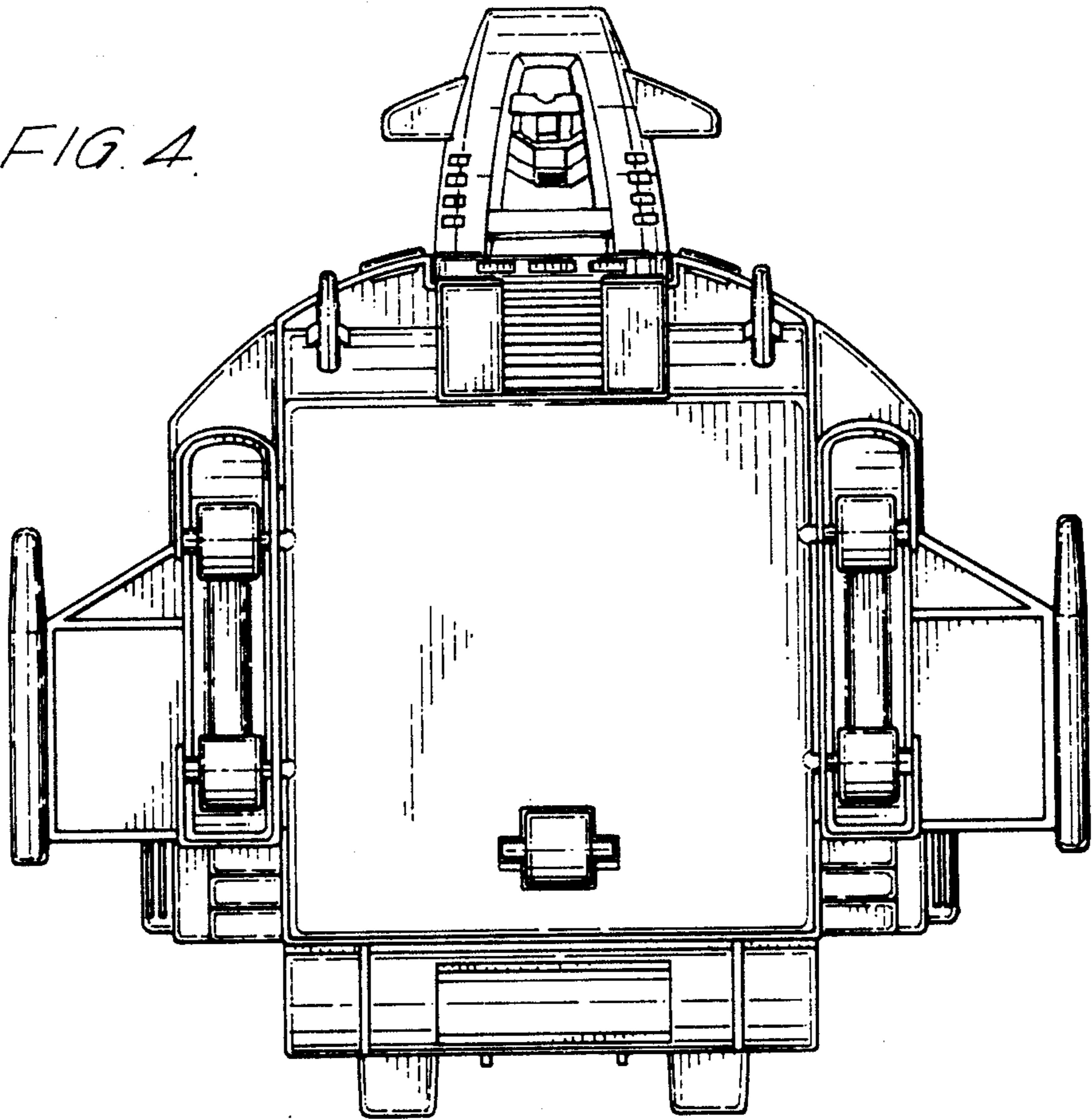


FIG. 5.

