

[54] COMBINED SWIVEL BASE TAPE DISPENSER AND DESK TRAY

D. 251,599 4/1979 Fritzinger D19/69
D. 254,556 3/1980 Johnson D19/69

[76] Inventor: Richard L. Vitacco, 1653 Thurston Ave., Racine, Wis. 53405

Primary Examiner—George P. Word

[**] Term: 14 Years

[57] CLAIM

[21] Appl. No.: 587,458

The ornamental design for a combined swivel base tape dispenser and desk tray, as shown and described.

[22] Filed: Mar. 8, 1984

DESCRIPTION

[52] U.S. Cl. D19/69; D19/78

[58] Field of Search D19/66-70,
D19/75-85; 225/77, 6, 19

FIG. 1 is a left side elevational view of a combined swivel base tape dispenser and desk tray showing my new design;

FIG. 2 is a top plan view thereof;

FIG. 3 is a bottom plan view thereof;

FIG. 4 is a rear elevational view thereof;

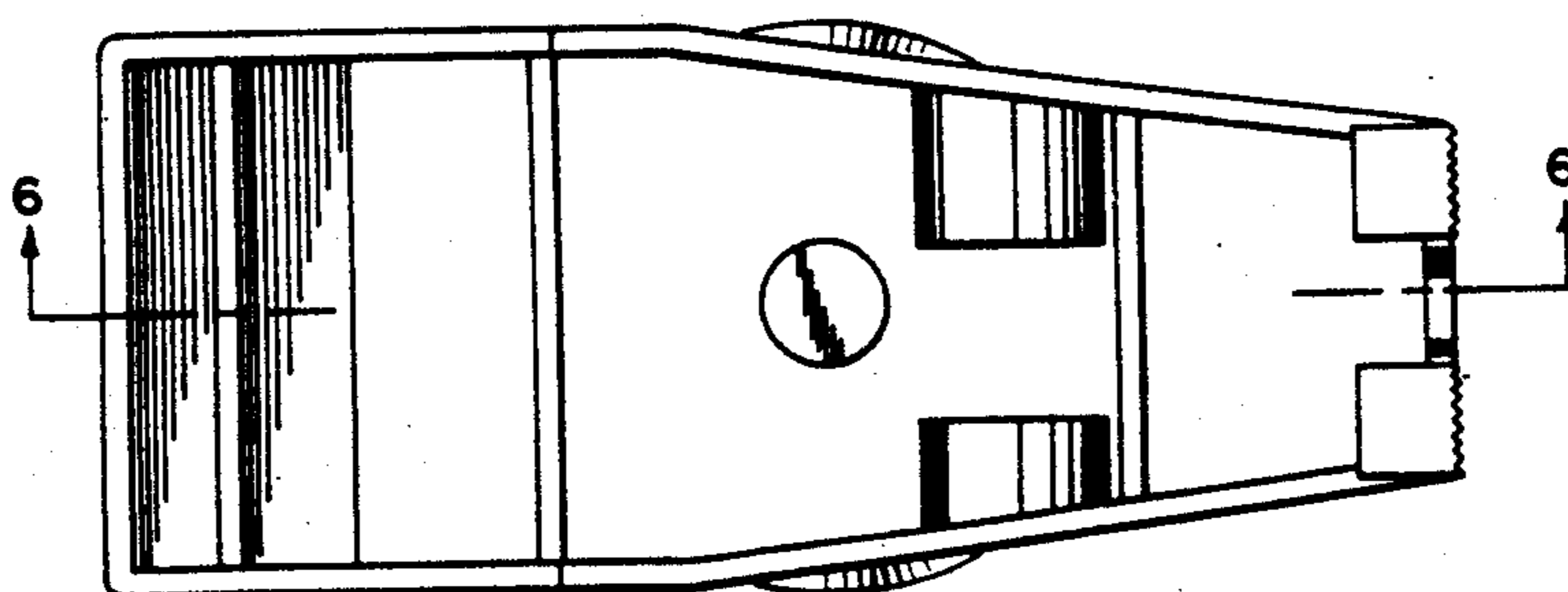
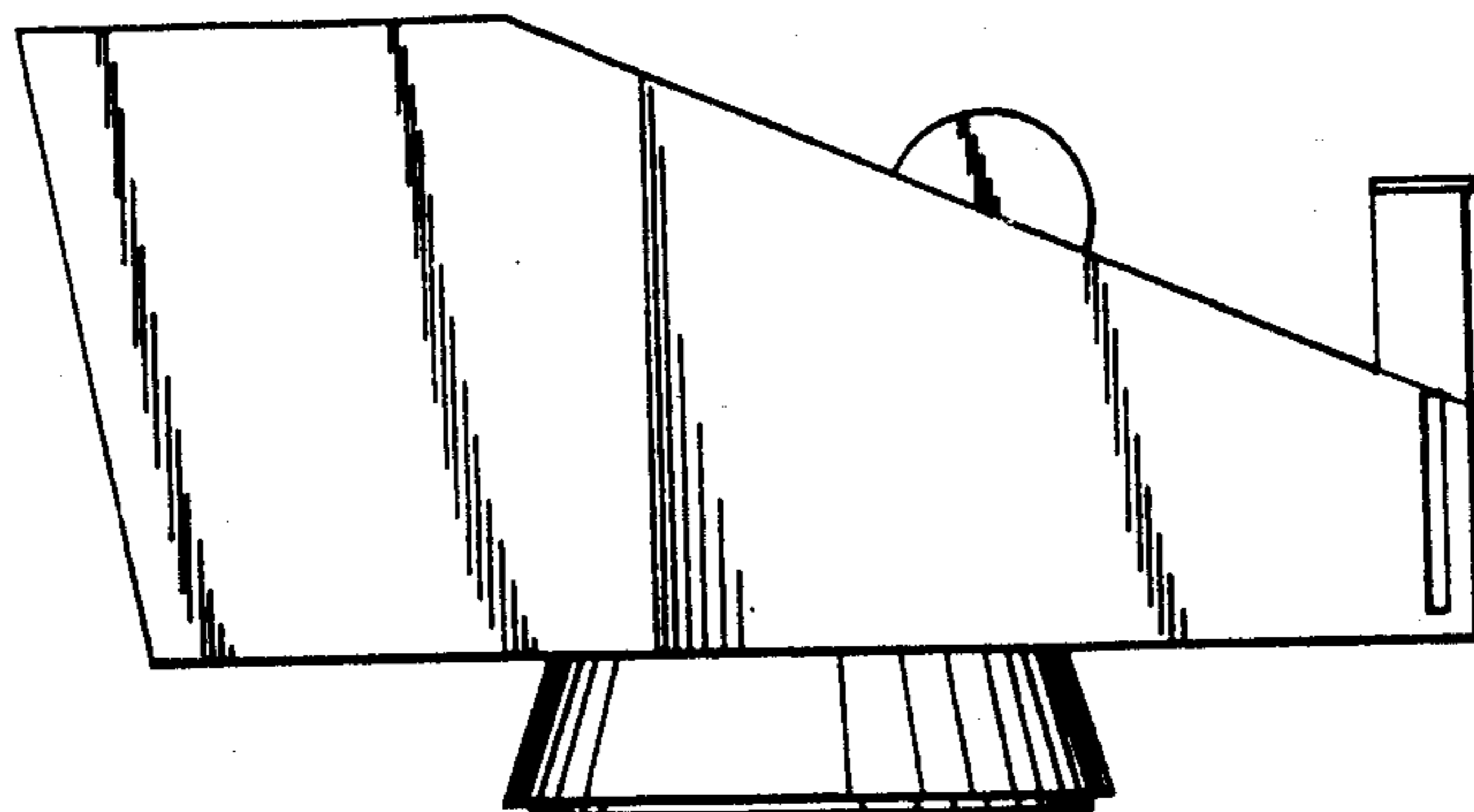
FIG. 5 is a front elevational view thereof; and

FIG. 6 is a cross sectional view taken along line 6—6 of FIG. 2.

[56] References Cited

U.S. PATENT DOCUMENTS

D. 248,561 7/1978 Deering D19/69
D. 249,273 9/1978 Day D19/78



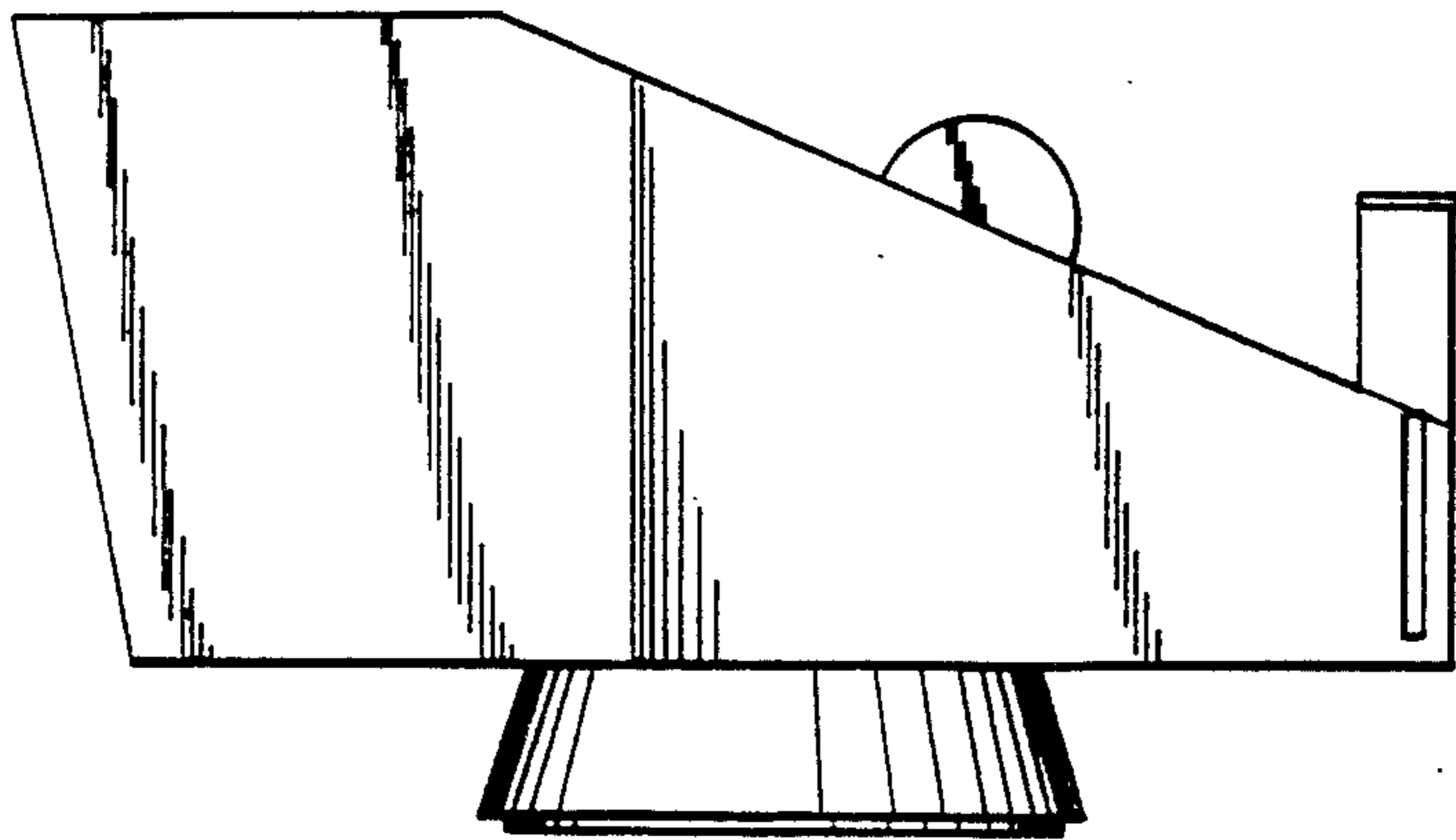


FIG. 1

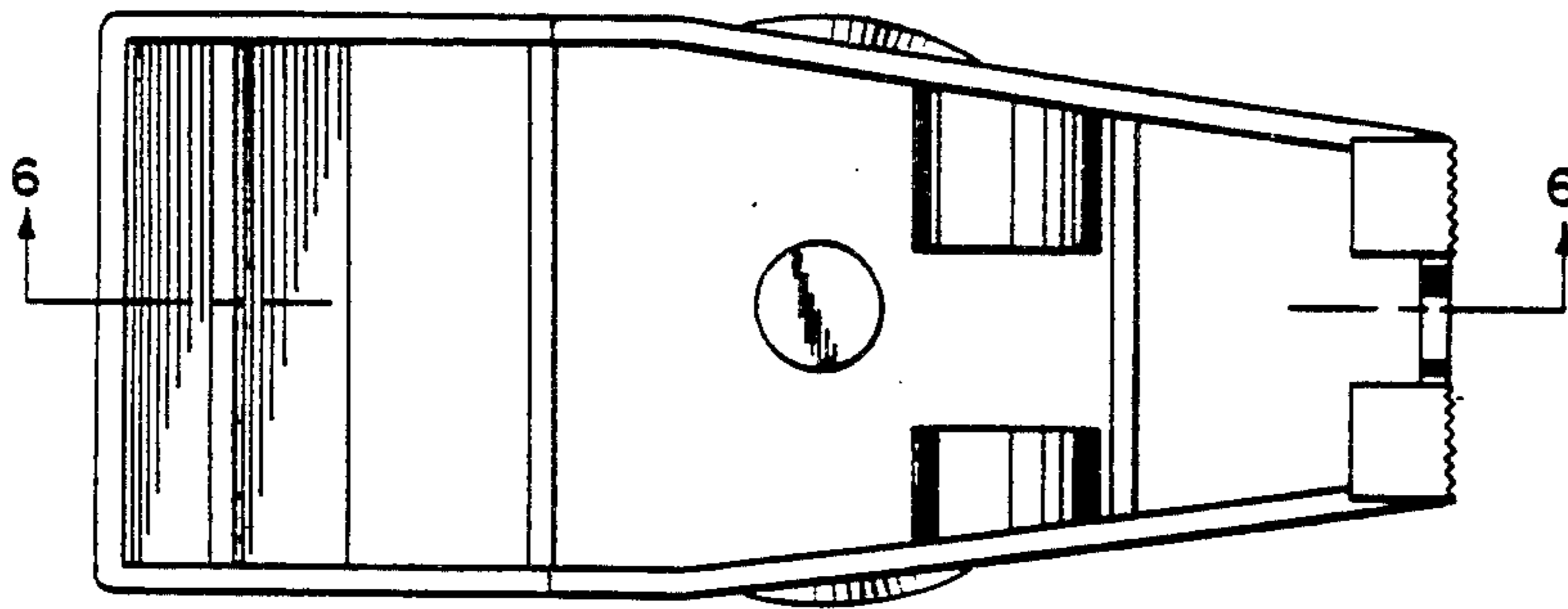


FIG. 2

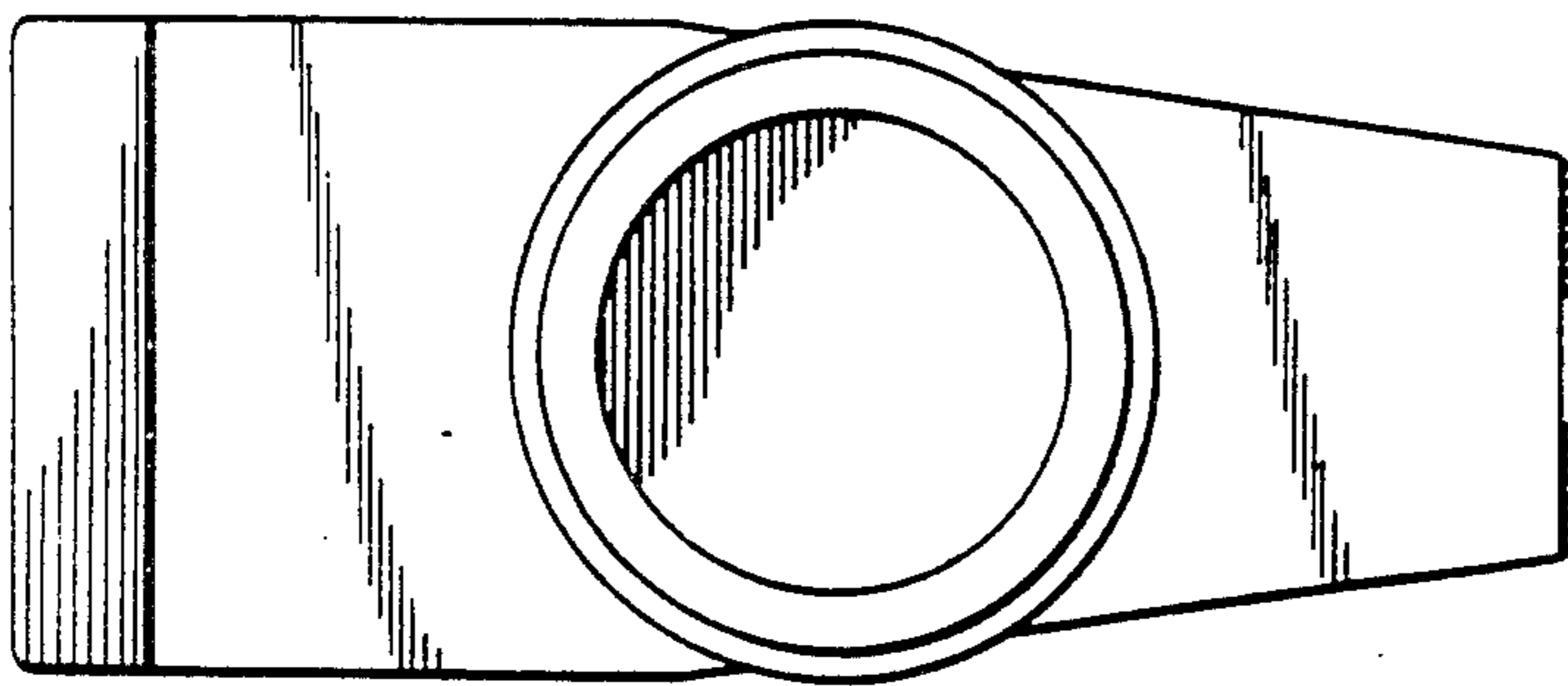


FIG. 3

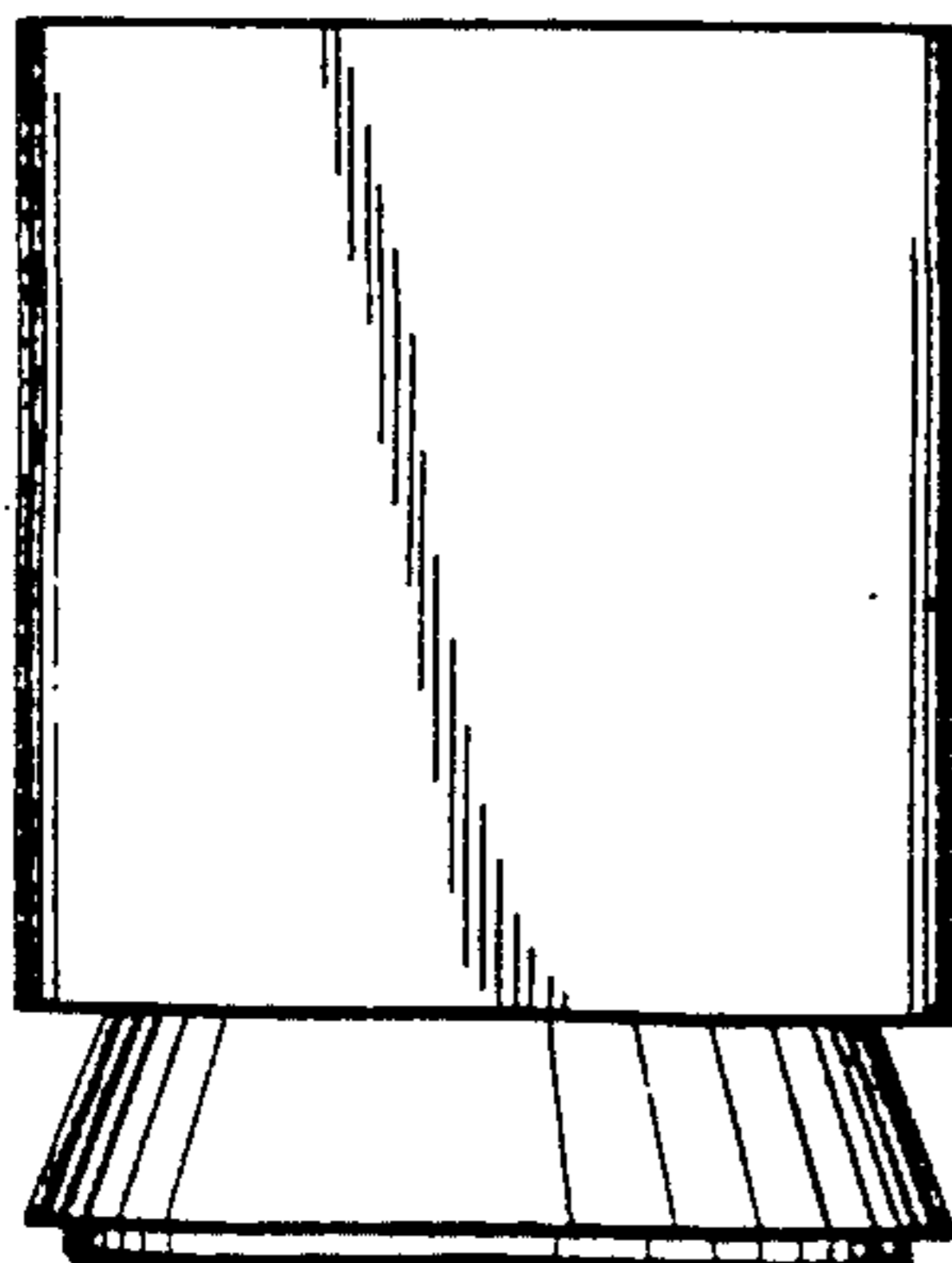


FIG. 4

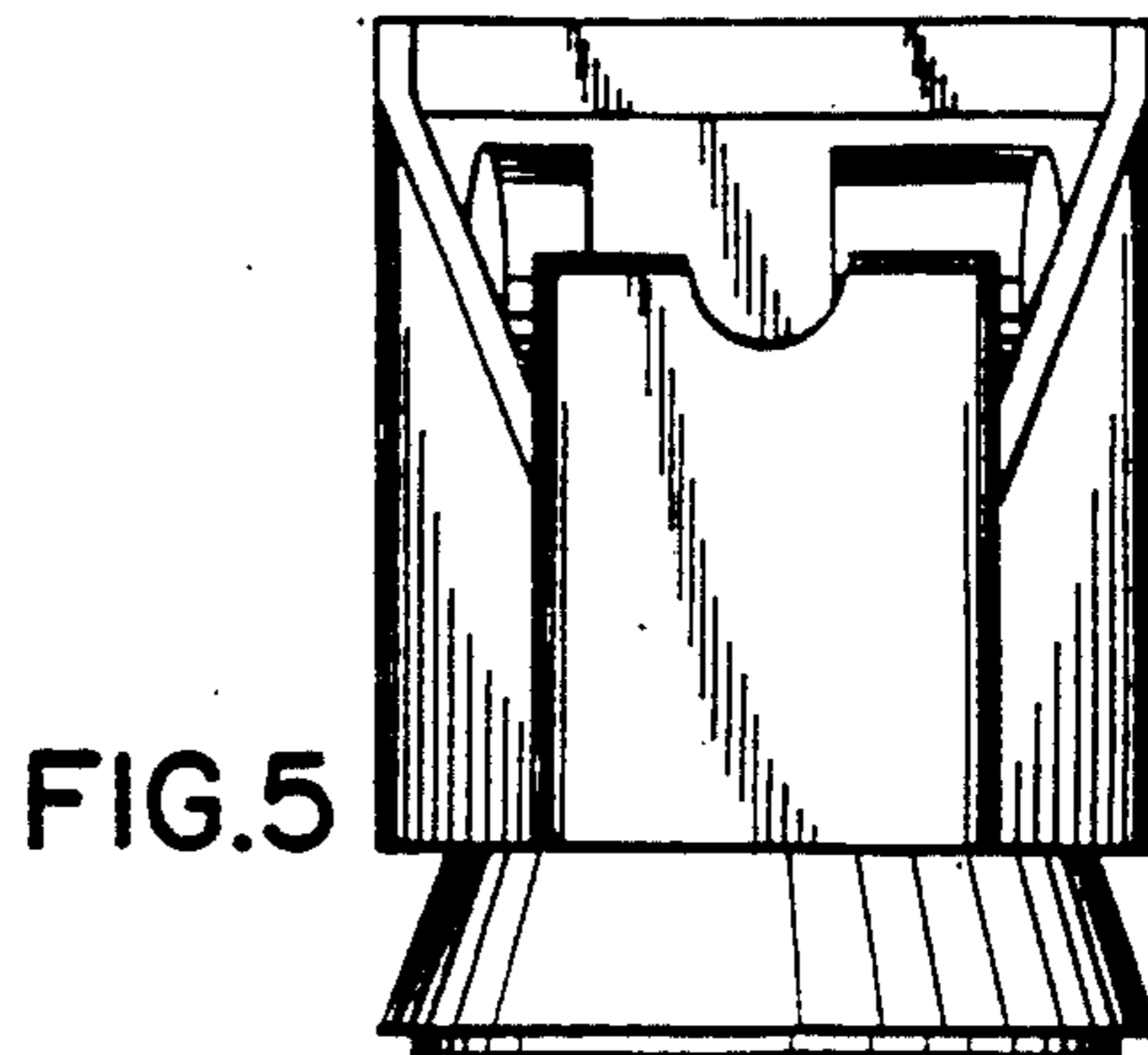


FIG. 5

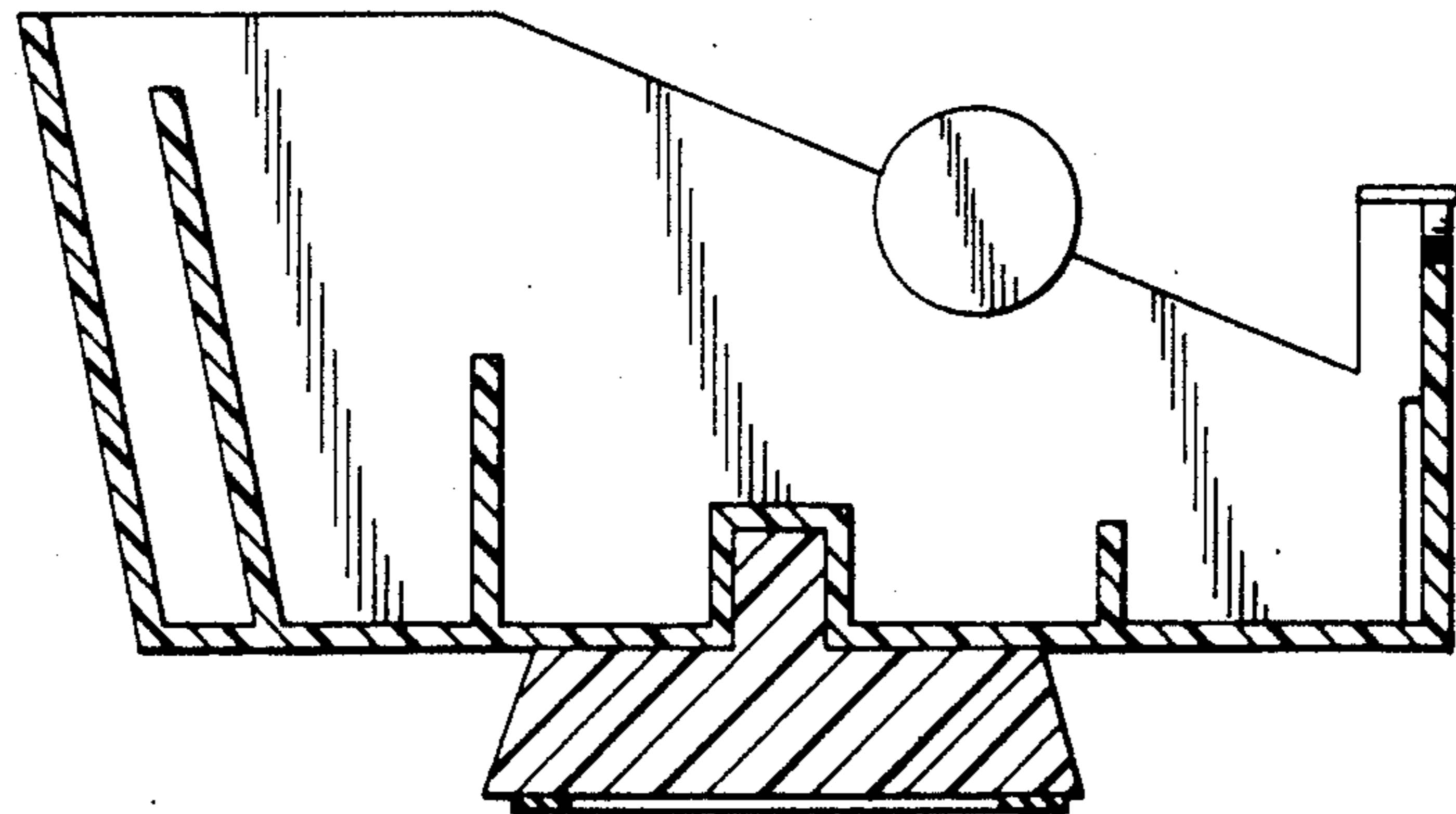


FIG. 6