

[54] **BLADE FOR A DIGGING POINT**
[75] **Inventor: John W. Ryan, Yowie Bay, Australia**
[73] **Assignee: Agrowparts Pty Limited, Botany, Australia**
[**] **Term: 14 Years**
[21] **Appl. No.: 577,666**
[22] **Filed: Feb. 7, 1984**
[52] **U.S. Cl. D15/11; D15/29**
[58] **Field of Search D15/10, 11, 28, 29; 37/141 R, 141 T, 142 R, 142 A**

4,335,532 6/1982 Hahn et al. 37/142 R
4,391,050 7/1983 Smith et al. 37/141 T
4,577,423 3/1986 Hahn 37/142 R

Primary Examiner—B. J. Bullock
Attorney, Agent, or Firm—Ladas & Parry

[57] **CLAIM**

The ornamental design for a blade for a digging point, as shown.

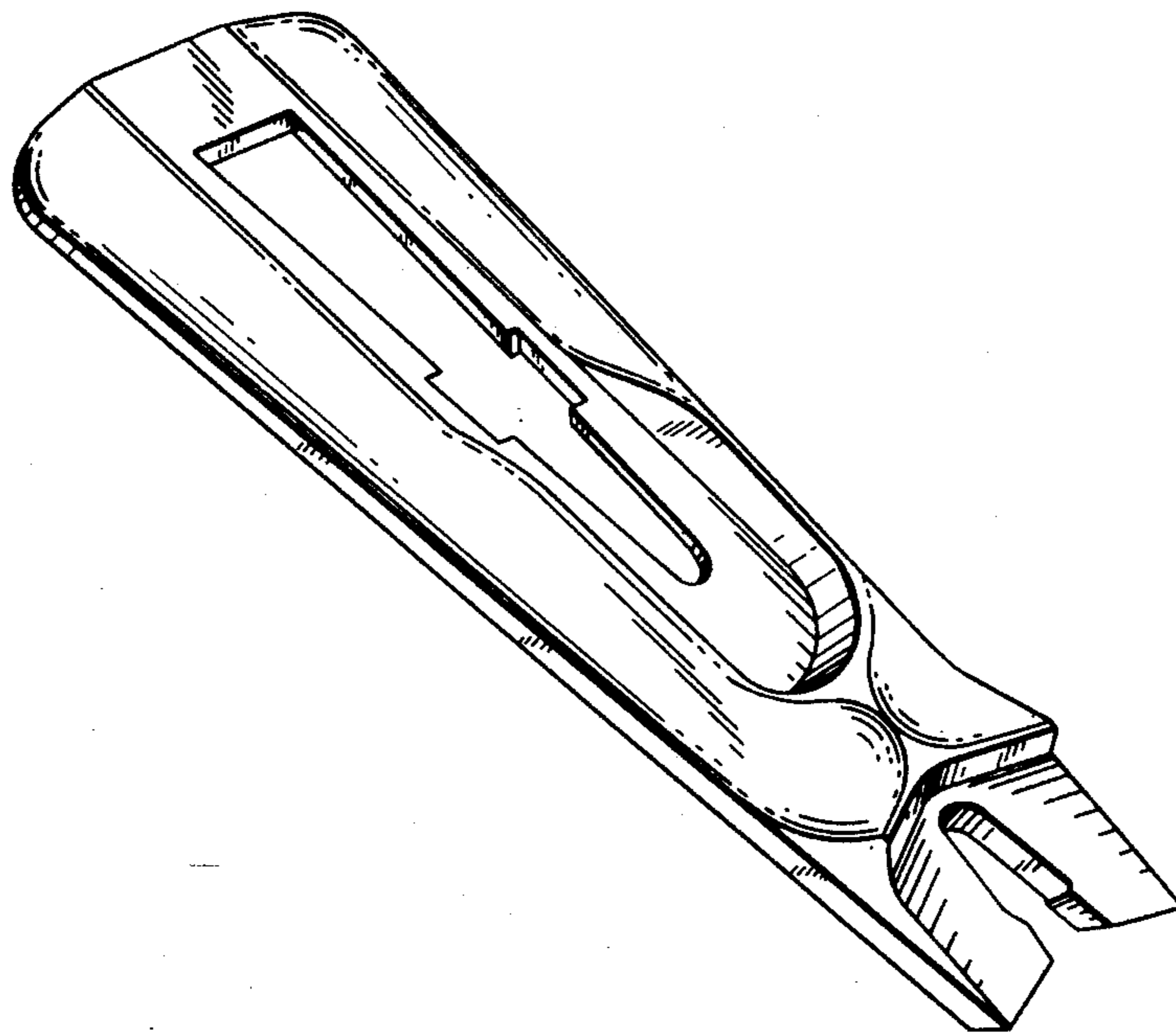
DESCRIPTION

FIG. 1 is a top perspective view of a blade for a digging point showing my new design;
FIG. 2 is a bottom plan view thereof;
FIG. 3 is a rear elevational view thereof;
FIG. 4 is a front elevational view thereof;
FIG. 5 is a sectional view taken in the direction of the arrows along line 5—5 in FIG. 2.

[56] **References Cited**

U.S. PATENT DOCUMENTS

4,027,408 6/1977 Ramella et al. 37/141 T
4,317,300 3/1982 Emrich et al. 37/142 R



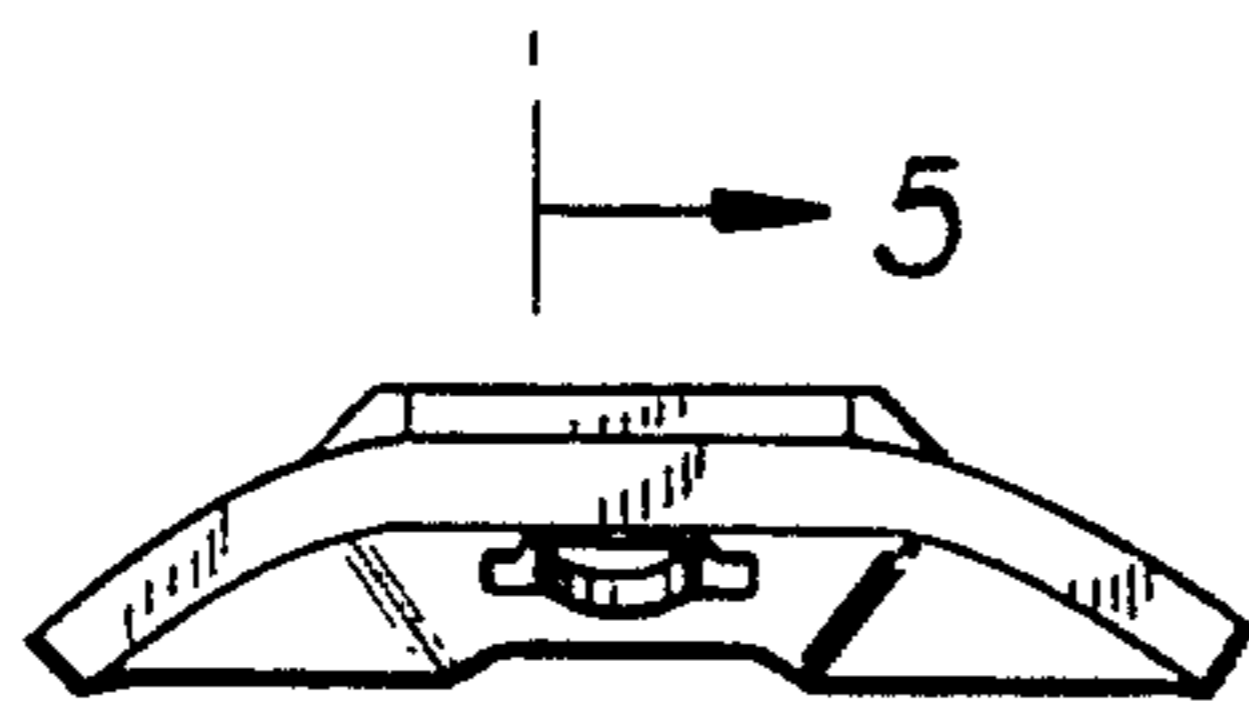
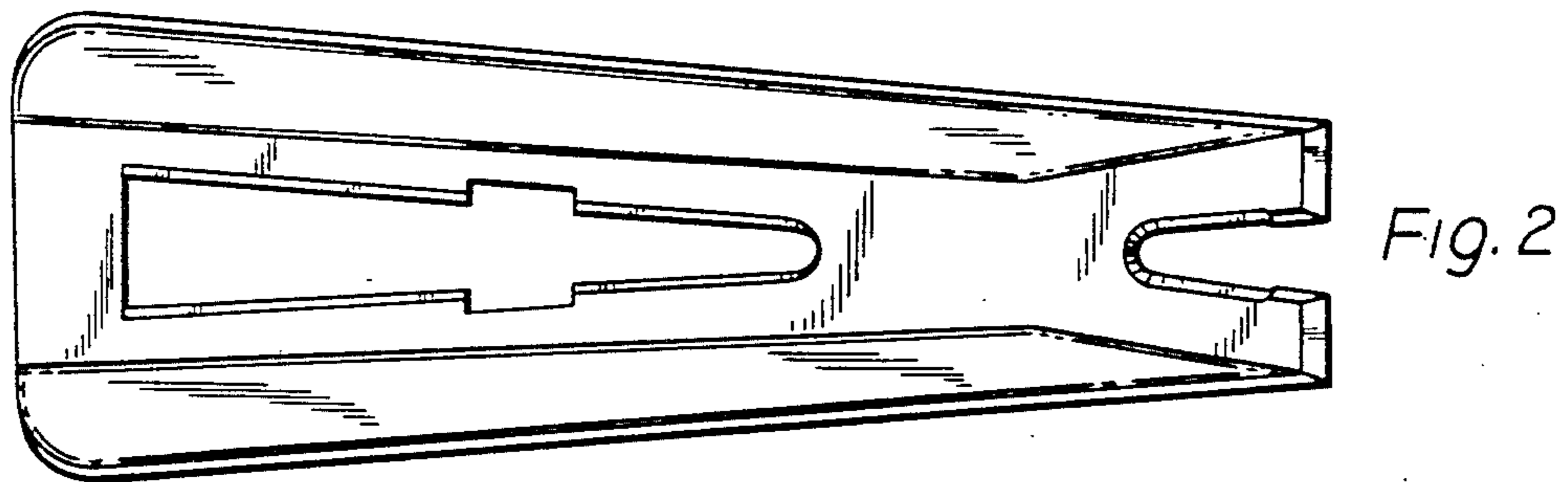
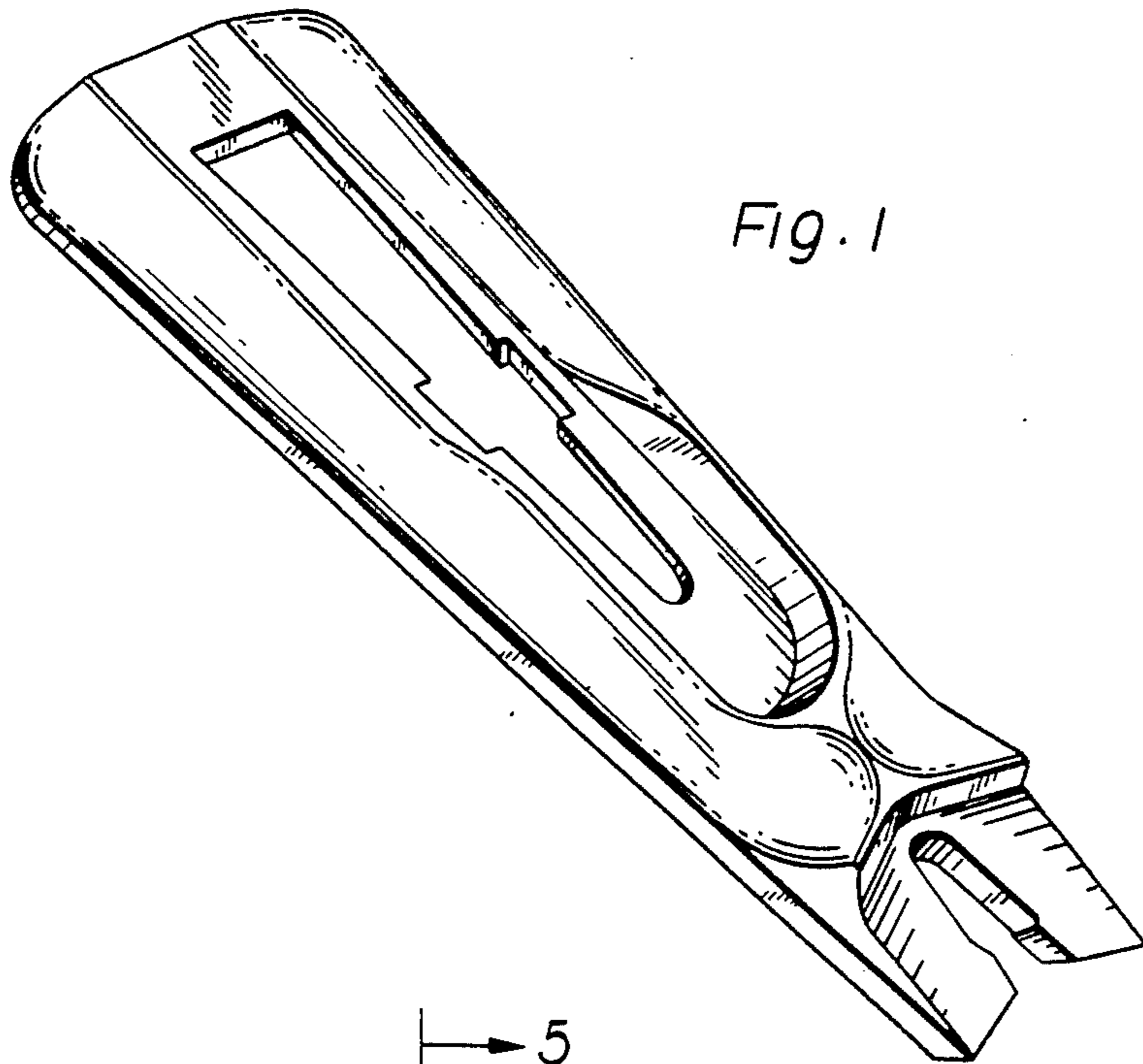


Fig. 3



Fig. 4



Fig. 5