

[54] ADJUSTABLE STAND FOR A DISPLAY MONITOR

[75] Inventors: Robert E. Choate, Raleigh, N.C.; David L. Schaum, Woodstock, N.Y.; Robert E. Steinbugler, Raleigh, N.C.

[73] Assignee: International Business Machines Corp., Armonk, N.Y.

[\*\*] Term: 14 Years

[21] Appl. No.: 705,808

[22] Filed: Mar. 1, 1985

[52] U.S. Cl. .... D14/114

[58] Field of Search ..... D14/100, 106, 113, 114; 340/700, 711, 720; 358/248, 249, 254; 312/7.2; 248/178, 179, 183, 184, 186, 371, 157, 158

[56] References Cited

U.S. PATENT DOCUMENTS

D. 253,594 12/1979 Antenberg ..... D14/114

D. 284,967 8/1986 Wiseman ..... D14/113  
4,365,779 12/1982 Bates et al. .... 248/179 X  
4,564,166 1/1986 Craft et al. .... 248/183 X  
4,570,892 2/1986 Czech et al. .... 248/183 X  
4,591,120 5/1986 Bryant-Jeffries et al. .... 248/179

Primary Examiner—Susan J. Lucas  
Attorney, Agent, or Firm—Joscelyn G. Cockburn

[57] CLAIM

The ornamental design for a adjustable stand for a display monitor, substantially as shown and described.

DESCRIPTION

FIG. 1 is a perspective view of a stand showing our new design;  
FIG. 2 is a top plan view thereof;  
FIG. 3 is a front elevational view thereof;  
FIG. 4 is a right side elevational view thereof;  
FIG. 5 is a left side elevational view thereof;  
FIG. 6 is a bottom plan view thereof;  
FIG. 7 is a rear elevational view thereof.

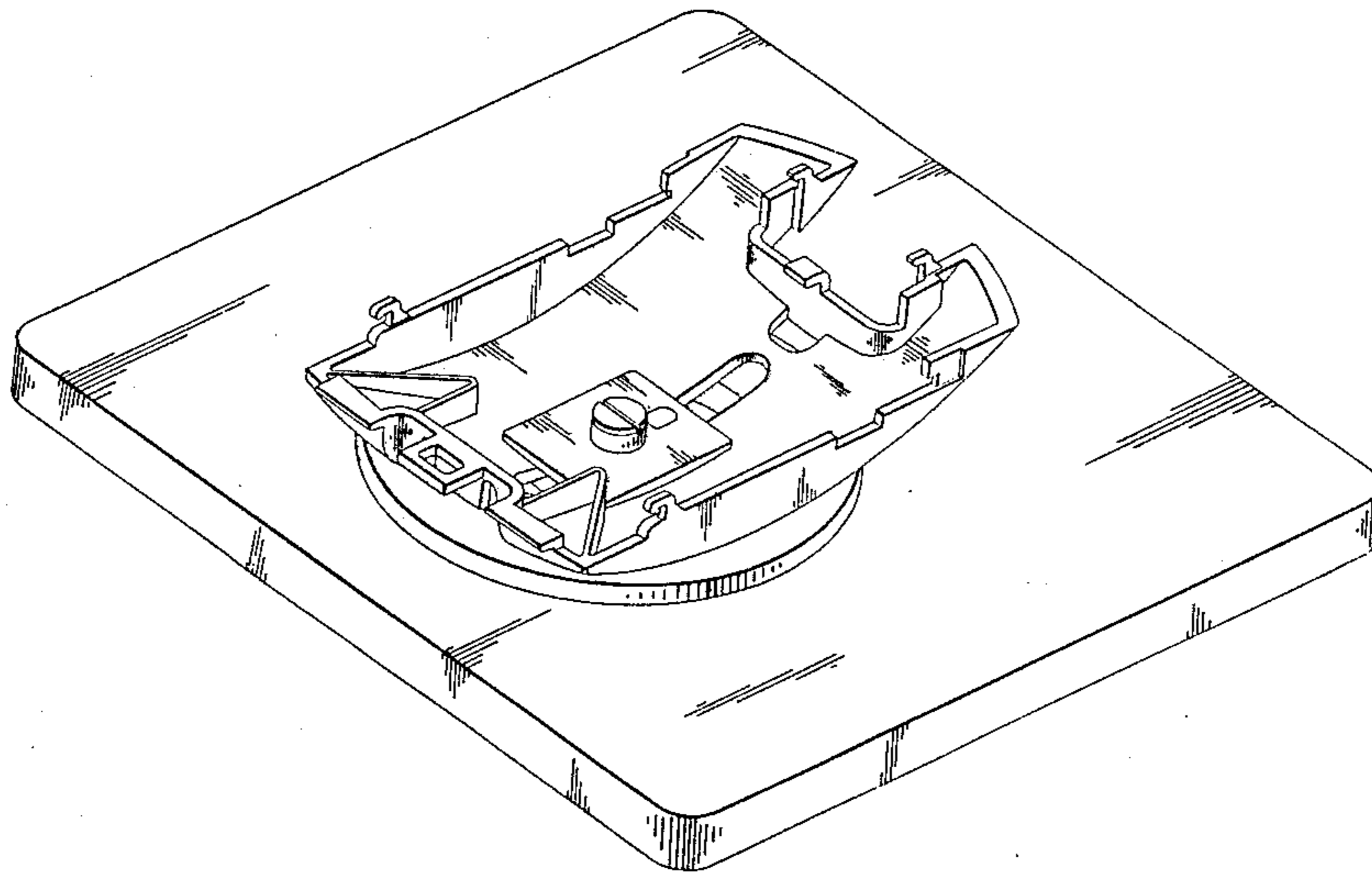


FIG. 1

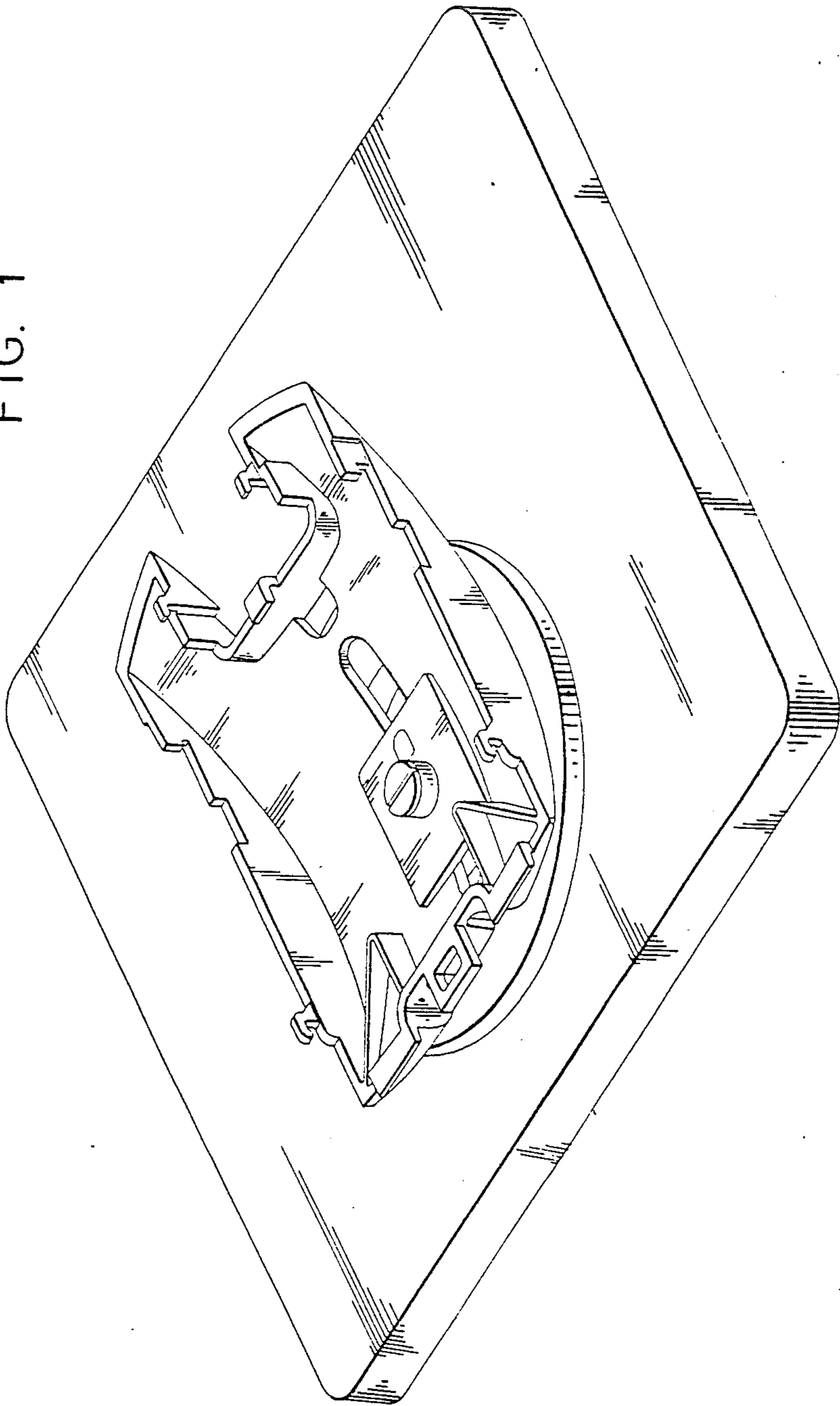


FIG. 2

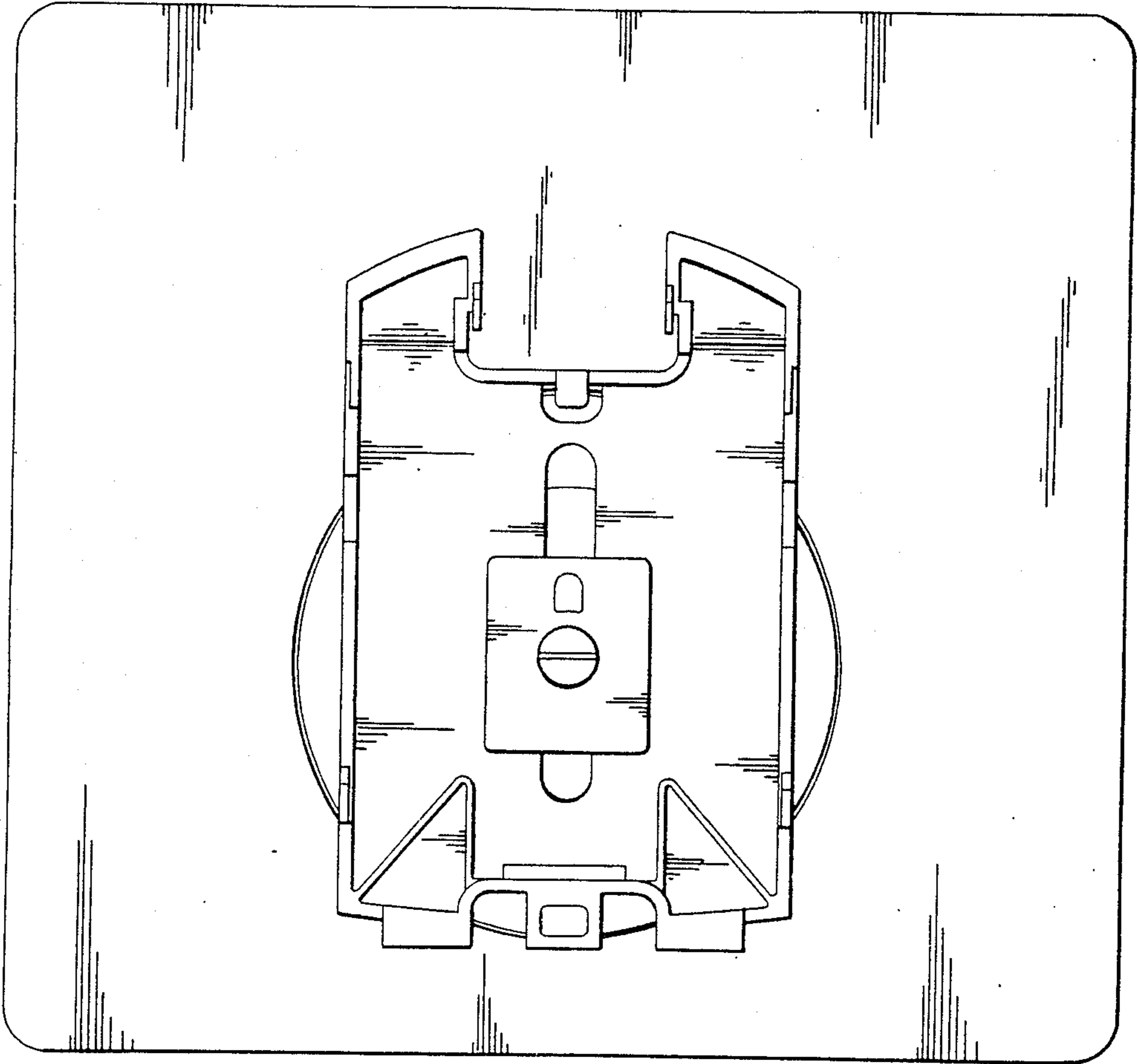


FIG. 3

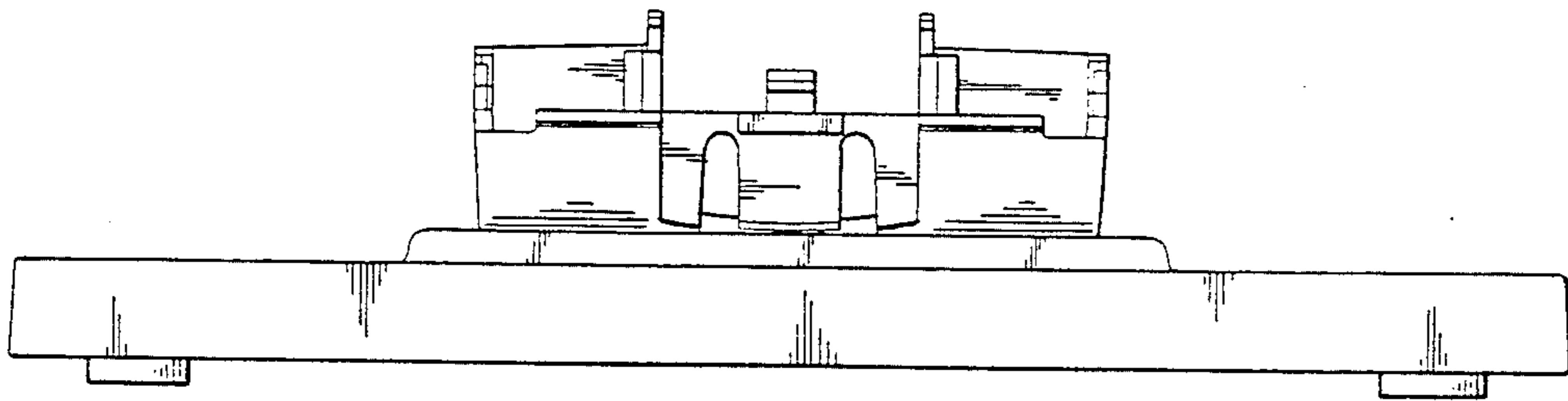


FIG. 4

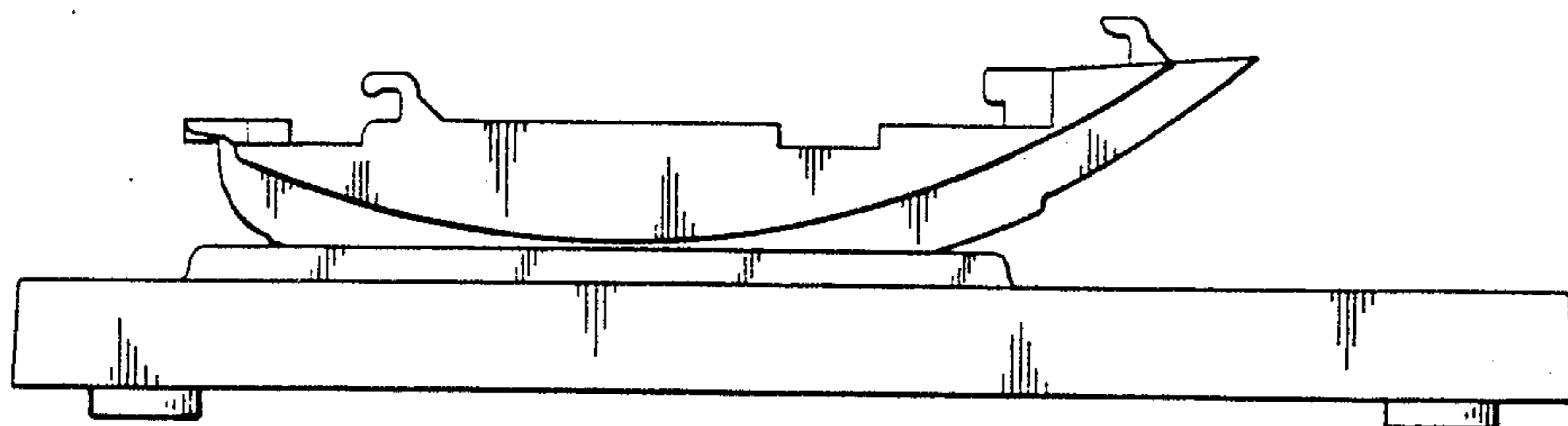


FIG. 5

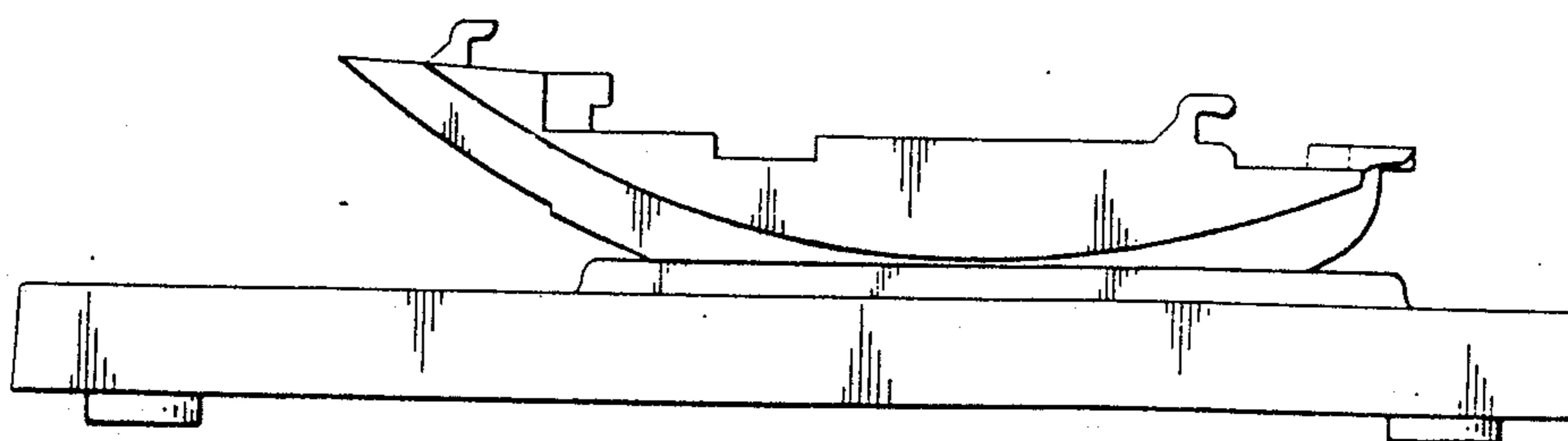


FIG. 6

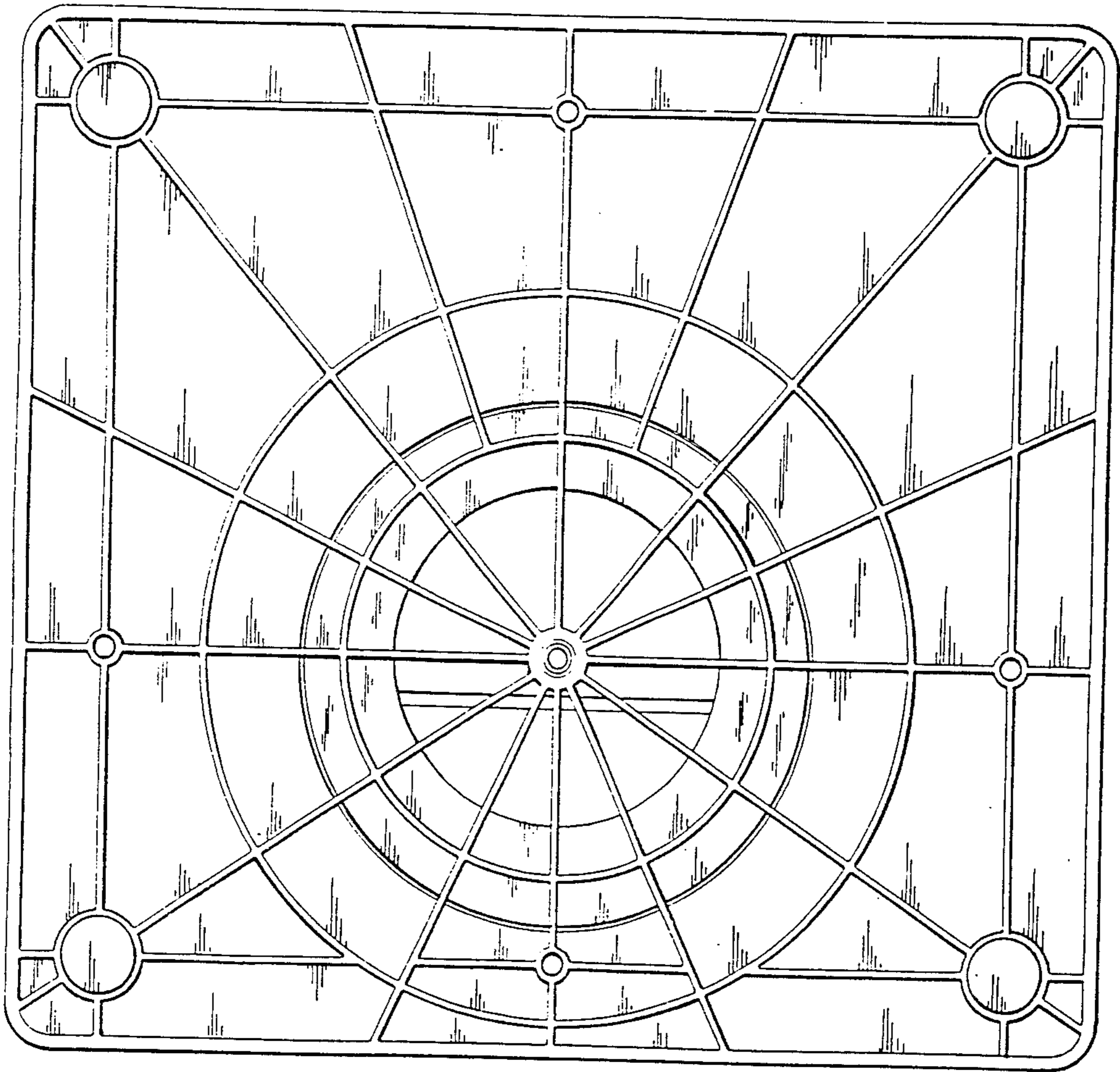


FIG. 7

