

[54] TELEPHONE STAND

[75] Inventors: Michael Drew, London; Peter Ford, Middlesex, both of England

[73] Assignee: British Telecommunications public limited company, England

[\*\*] Term: 14 Years

[21] Appl. No.: 731,226

[22] Filed: May 7, 1985

[30] Foreign Application Priority Data

Nov. 8, 1984 [GB] United Kingdom ..... 1023162

[52] U.S. Cl. .... D14/60

[58] Field of Search ..... D14/53, 60, 62, 58; 179/179, 100 R, 100 D, 100 C, 100 L, 101; D21/111; 446/141-143

[56] References Cited

U.S. PATENT DOCUMENTS

D. 250,111	10/1978	Hernandez et al. ....	D14/53
D. 254,067	1/1980	Janda .....	D14/60
D. 255,570	6/1980	Janda .....	D14/60
D. 259,638	6/1981	Giovanni .....	D14/53
D. 263,610	3/1982	Boudreaux .....	D21/111
D. 265,310	7/1982	Kovens .....	D14/53
4,220,828	9/1980	Ruzic .....	179/100 D

FOREIGN PATENT DOCUMENTS

2326345 12/1974 Fed. Rep. of Germany ... 179/100 R  
3046247 7/1982 Fed. Rep. of Germany ... 179/100 R

OTHER PUBLICATIONS

Design, 12/1978; at p. 66: Consol, Knox Design for Stand. Electric Lorenz AG.  
Synchronics Mag: Summer 1984: 5-15-84: at p. 3, top, Ericsson "Diavox" 100 Phone.  
Spiegel Xmas 1984 cat: at p. 208, Soundesign N5553 4851T, item A.

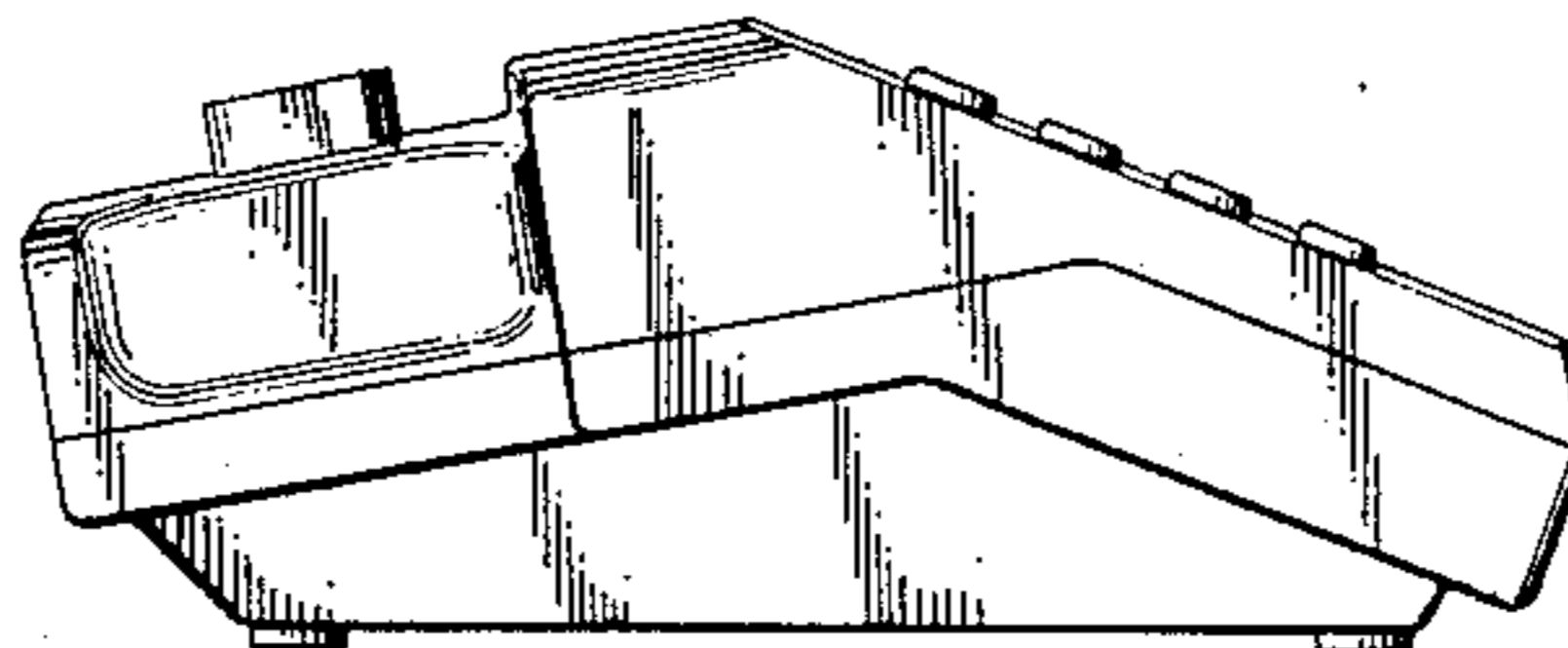
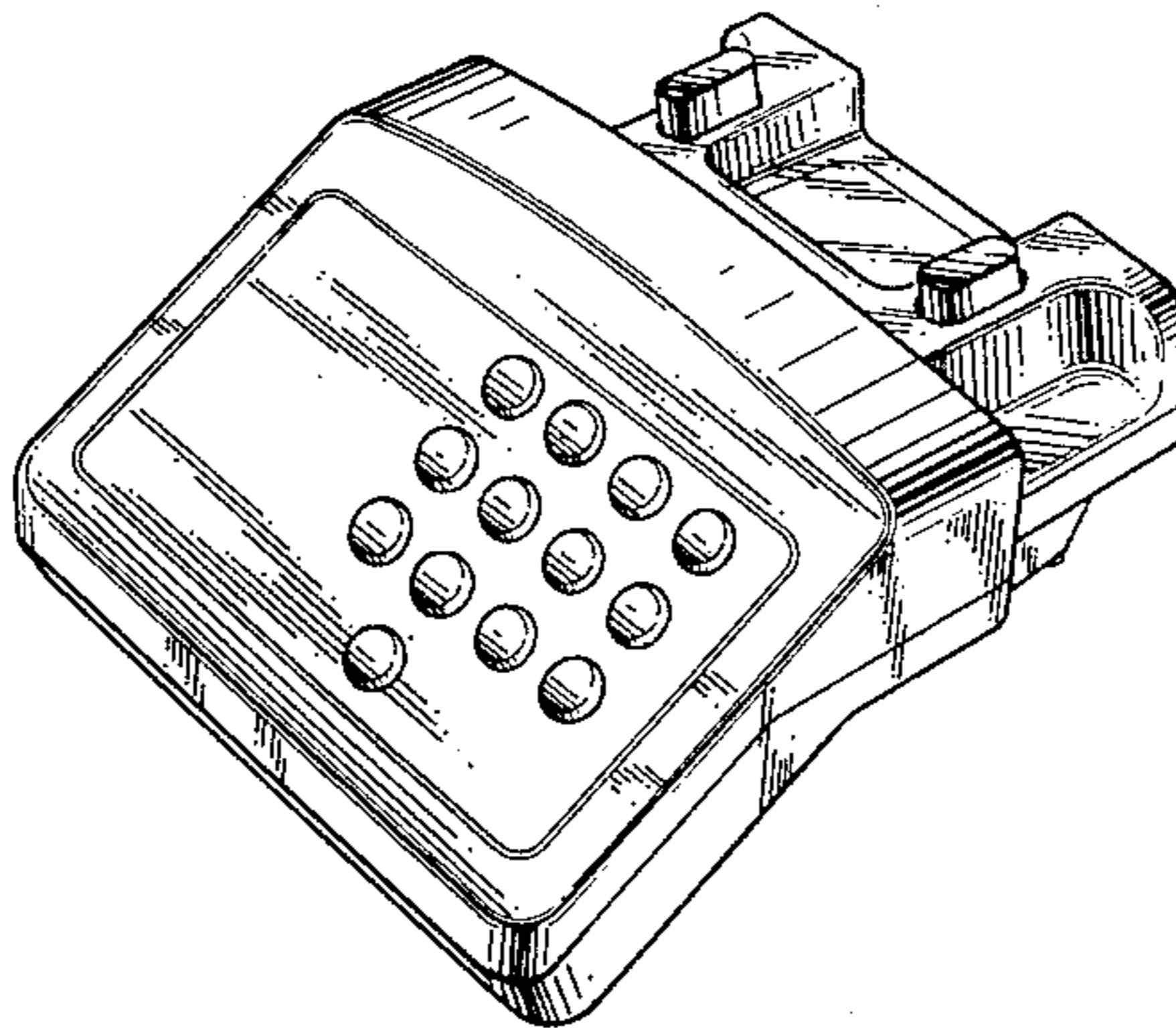
Primary Examiner—Wallace R. Burke  
Assistant Examiner—Horace B. Fay  
Attorney, Agent, or Firm—Nixon & Vanderhye

[57] CLAIM

The ornamental design for a telephone stand, as shown and described.

DESCRIPTION

FIG. 1 is a front, top and right side perspective view of a telephone stand showing our new design; FIG. 2 is a left side elevational view thereof; FIG. 3 is a bottom plan view thereof; FIG. 4 is a right side elevational view thereof; and FIG. 5 is a rear elevational view thereof.



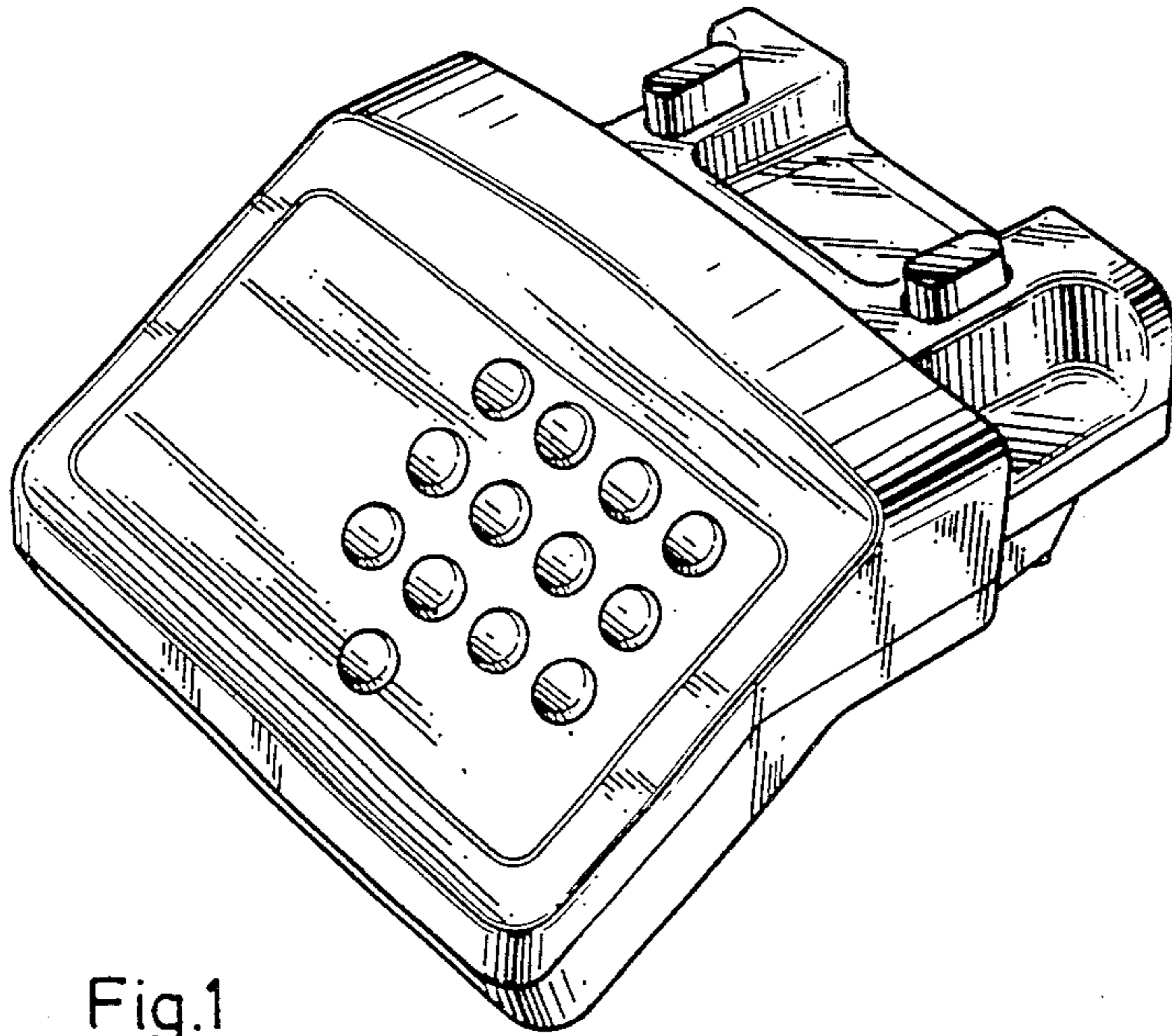


Fig.1

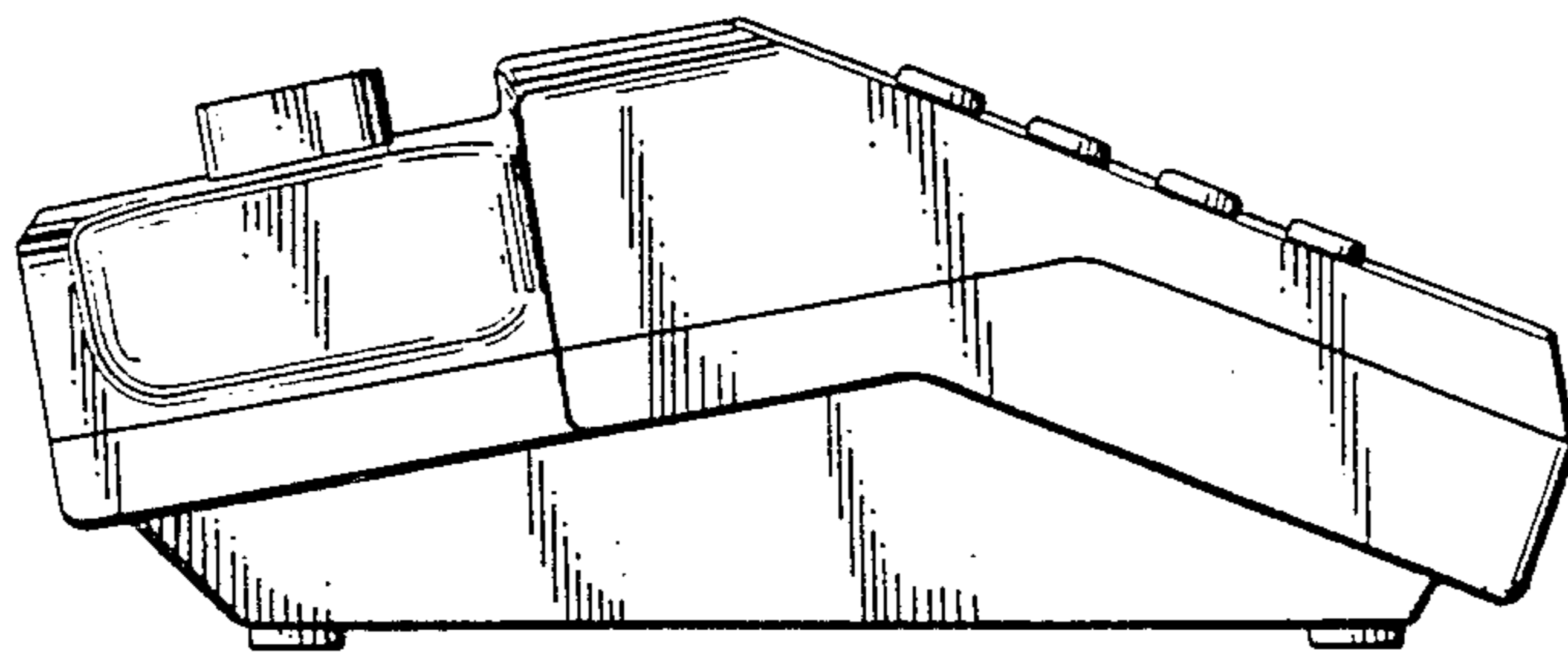


Fig.2

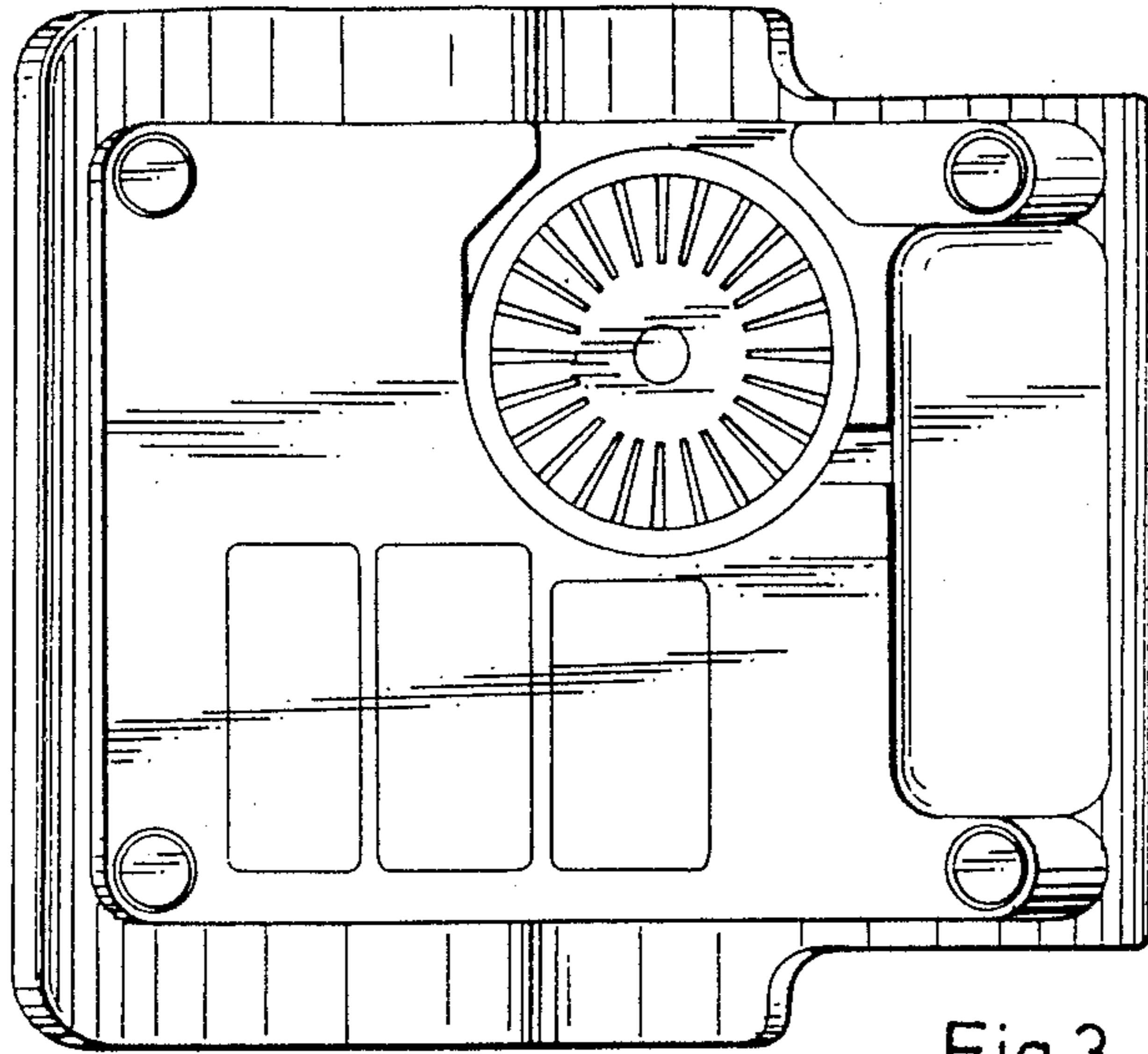


Fig.3

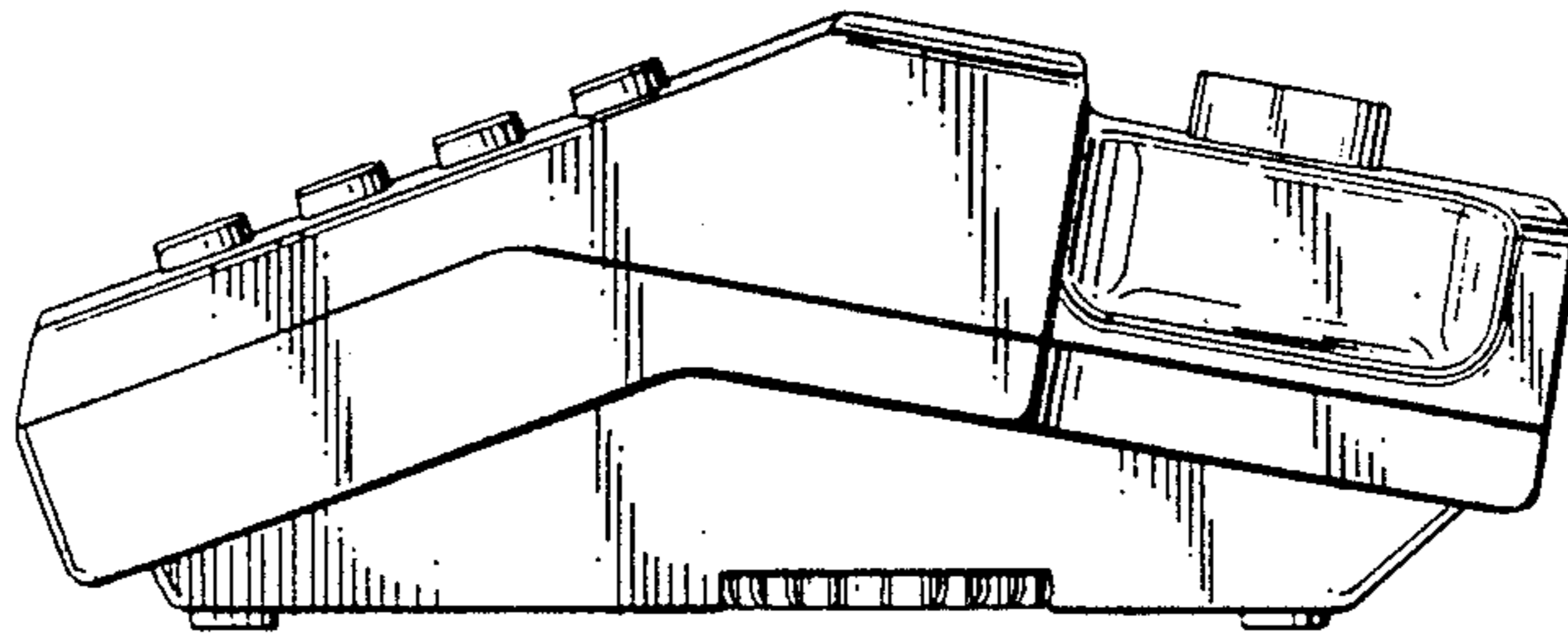


Fig.4

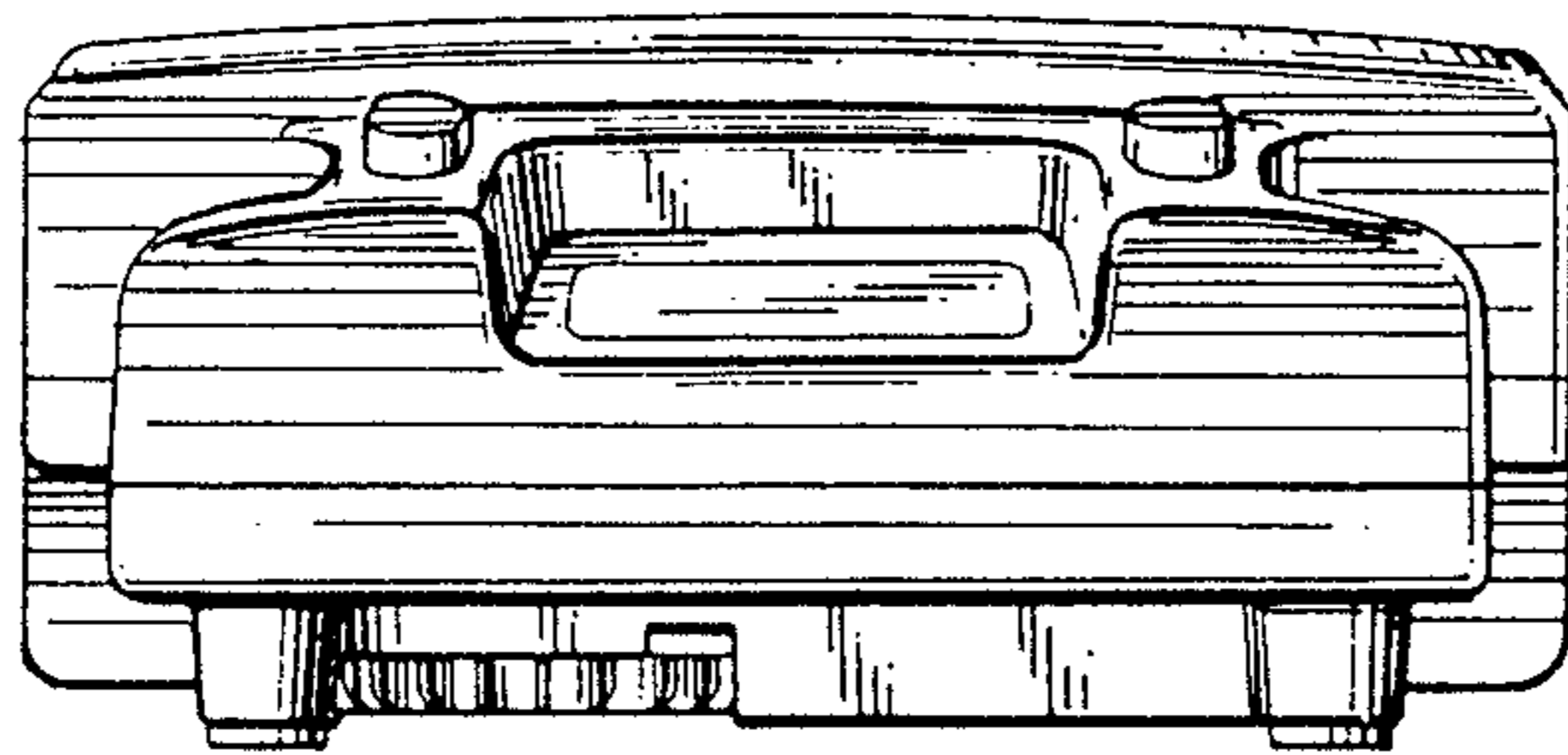


Fig.5