

[54] TELEPHONE SET

[75] Inventor: Giovanni Offredi, Milan, Italy
[73] Assignee: Industrie Face Standard SpA, Milan, Italy
[**] Term: 14 Years
[21] Appl. No.: 765,026
[22] Filed: Aug. 12, 1985

[30] Foreign Application Priority Data

Feb. 13, 1985 [IT] Italy 20781/75[U]
[52] U.S. Cl. D14/53; D14/58
[58] Field of Search D14/53, 52, 60, 62,
D14/63, 58, 100; 179/179, 100 R, 100 C, 100
D, 101, 103, 100 L

[56] References Cited

U.S. PATENT DOCUMENTS

D. 246,651 12/1977 Morrison et al. D14/58 X
D. 258,283 2/1981 Stoddard D14/58 X
D. 261,139 10/1981 Jakobsen D14/58 X
D. 264,338 5/1982 Sharp et al. D14/53 X
D. 279,004 5/1985 Ryan D14/63

OTHER PUBLICATIONS

Philips Telecomm Review, vol. 40, No. 4, Dec. 1982; KT 20 Phone Terminals at p. 327; FIG. 1.
New York Times, 7-16-85; p. D11; Vantage 8 Phone System.
B. A. Pargh Co. Inc. catalog 1983 ©; at p. 40 Mura Phone #SA50; also on p. 7; "Webcor" Zip, Models 9872T & 787WEB.
Radio Shack 1984 cat. ©1983; at p. 97; "Omotone" 161 & 140.

Primary Examiner—Wallace R. Burke
Assistant Examiner—Horace B. Fay
Attorney, Agent, or Firm—Spencer & Frank

[57] CLAIM

The ornamental design for a telephone set, as shown.

DESCRIPTION

FIG. 1 is a left side, partial top, and front isometric view of a telephone set showing my new design; FIG. 2 is a right side elevational view thereof, taken from the direction of arrow II of FIG. 1; and FIG. 3 is a rear elevational view thereof, taken from the direction of arrow III in FIG. 1.

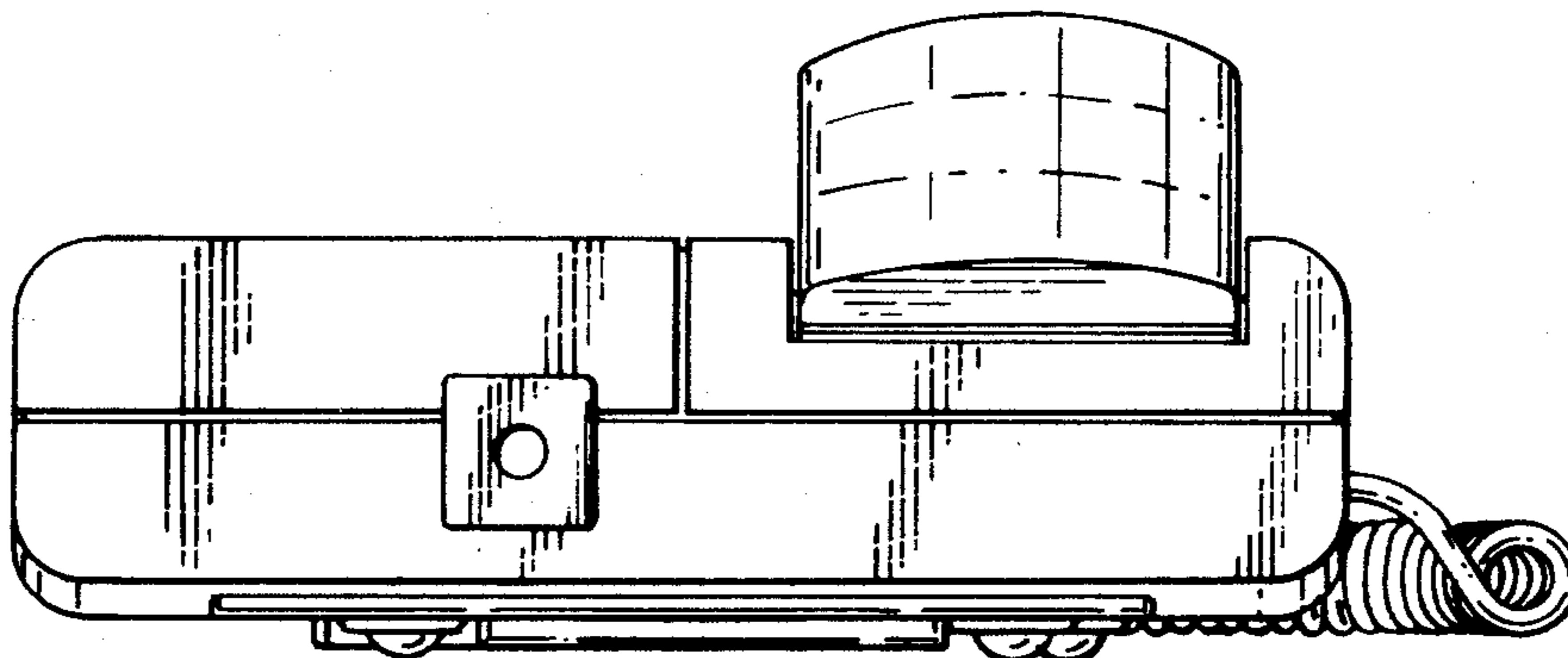
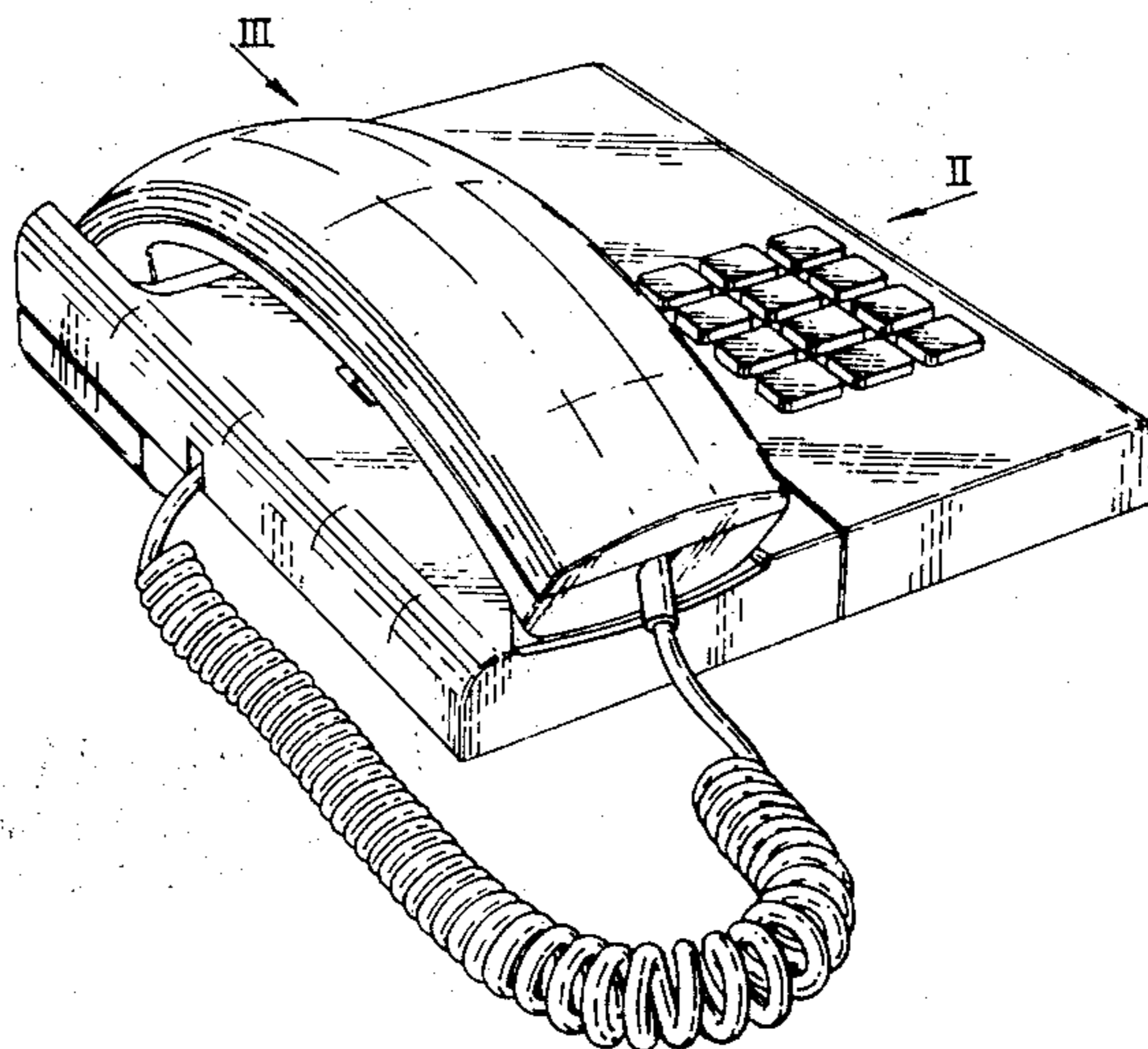
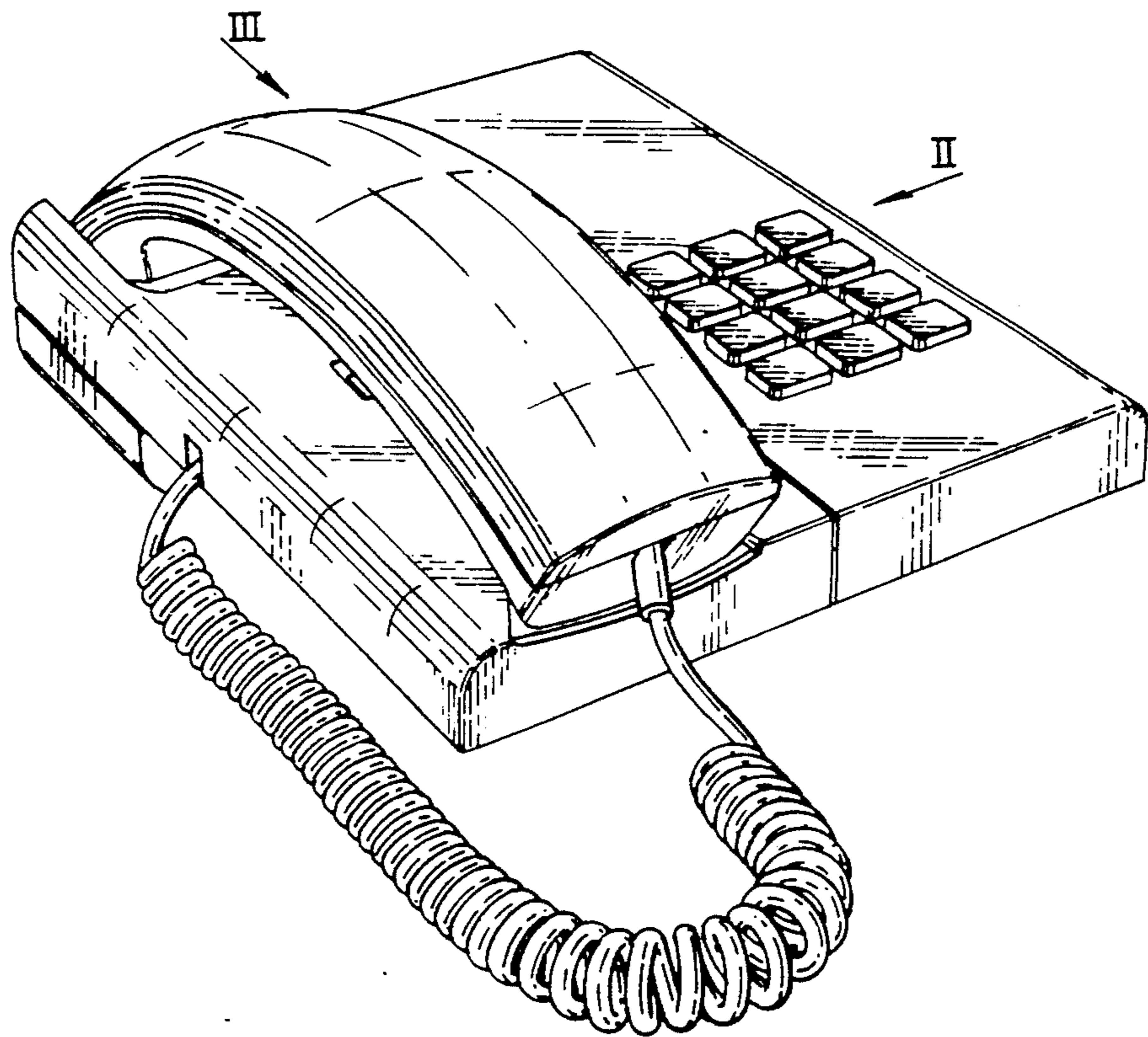


Fig. 1.



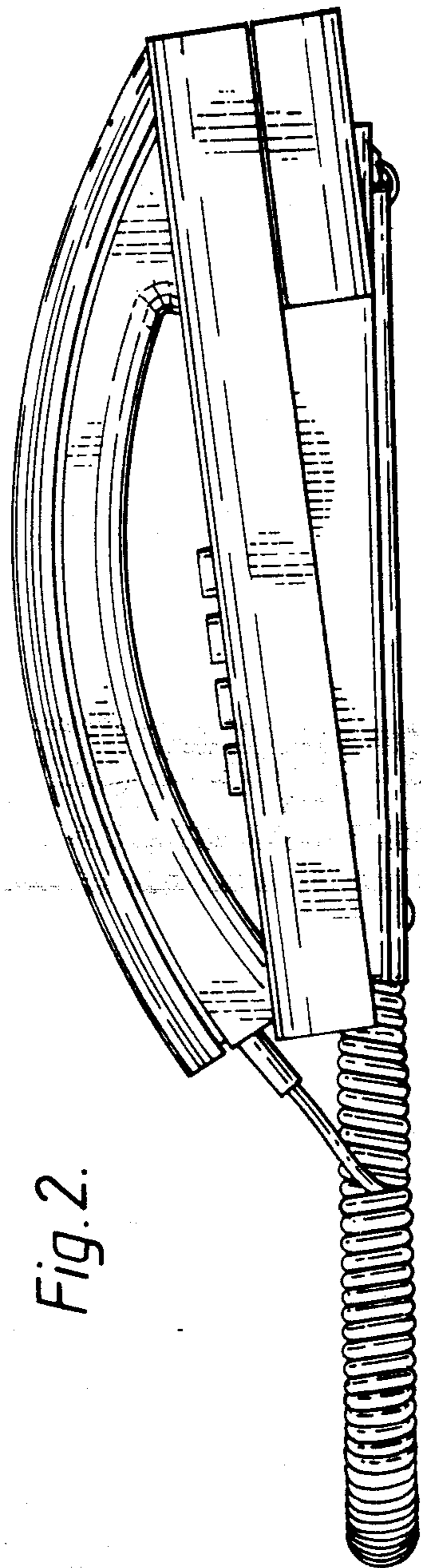


Fig. 2.

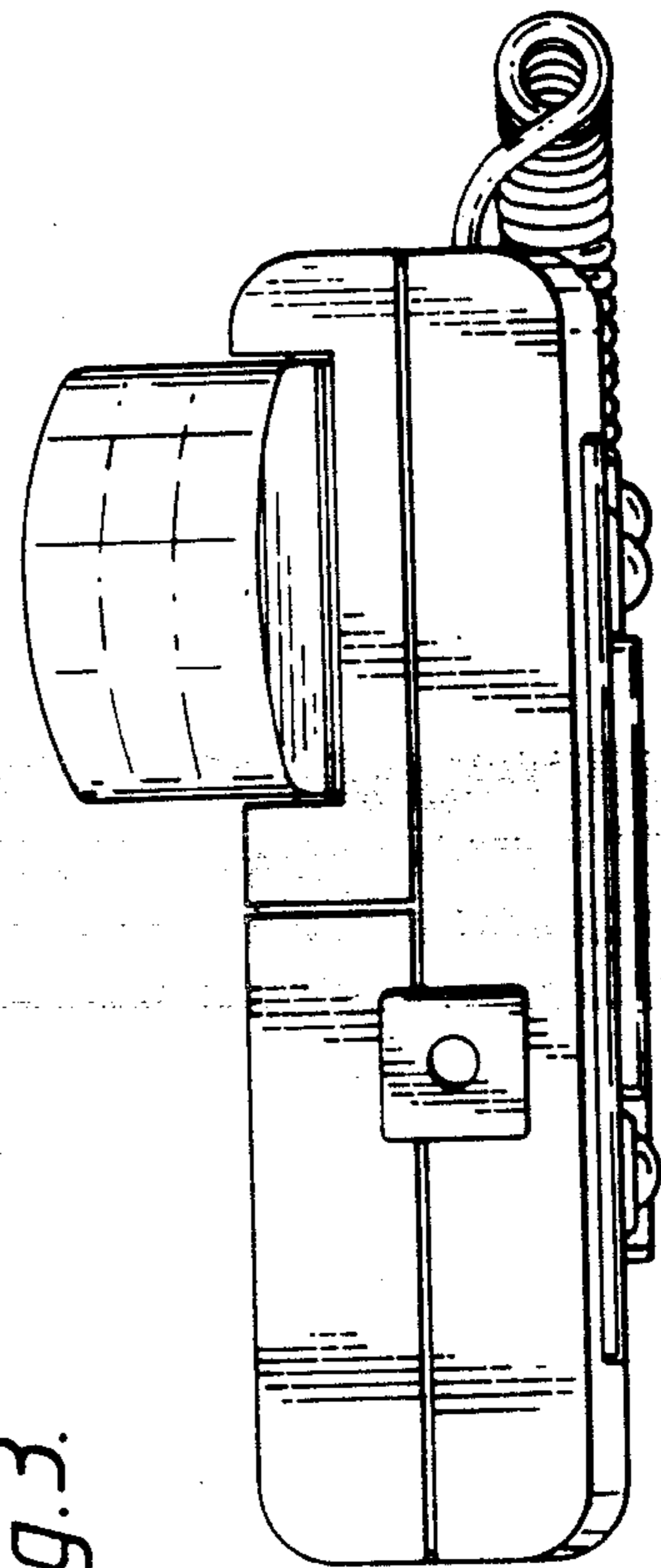


Fig. 3.