

[54] BICYCLE FRAME

[76] Inventor: Norman Levine, 2205 NW. 30 Pl., Pompano Beach, Fla. 33060

[**] Term: 14 Years

[21] Appl. No.: 776,132

[22] Filed: Sep. 13, 1985

[52] U.S. Cl. D12/111

[58] Field of Search D12/111; 280/281 R

[56] References Cited

U.S. PATENT DOCUMENTS

D. 204,860 5/1966 Tucker D12/111

OTHER PUBLICATIONS

American Bicyclist & Motorcyclist, 4/84, p. 37,

Thruster CrMo Chromed BMX Frame, center right side of page.

Primary Examiner—James M. Gandy
Attorney, Agent, or Firm—Malin, Haley & McHale

[57] CLAIM

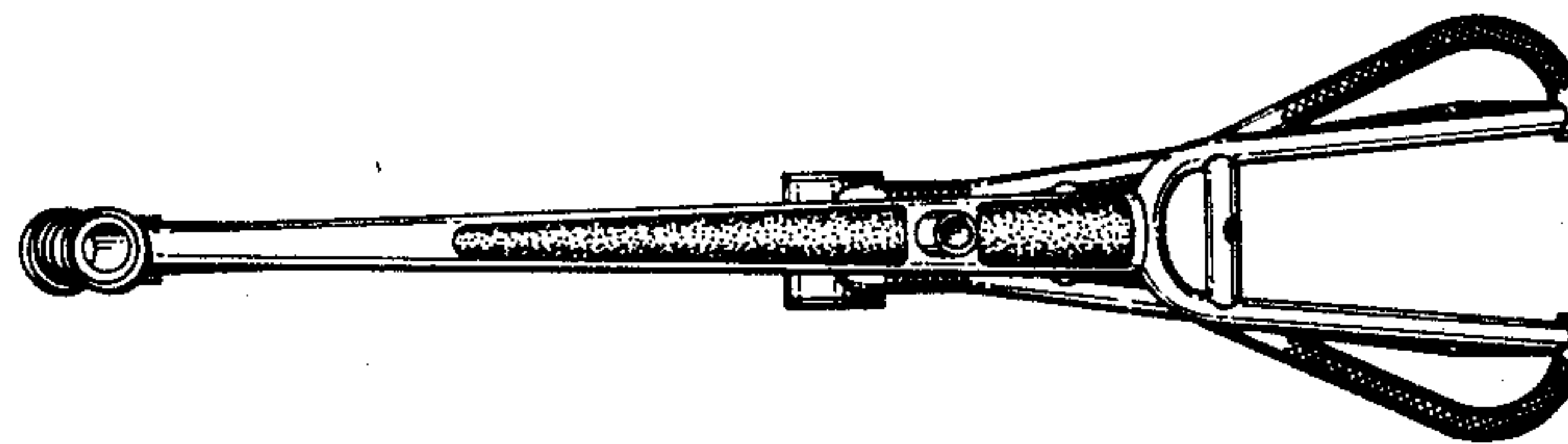
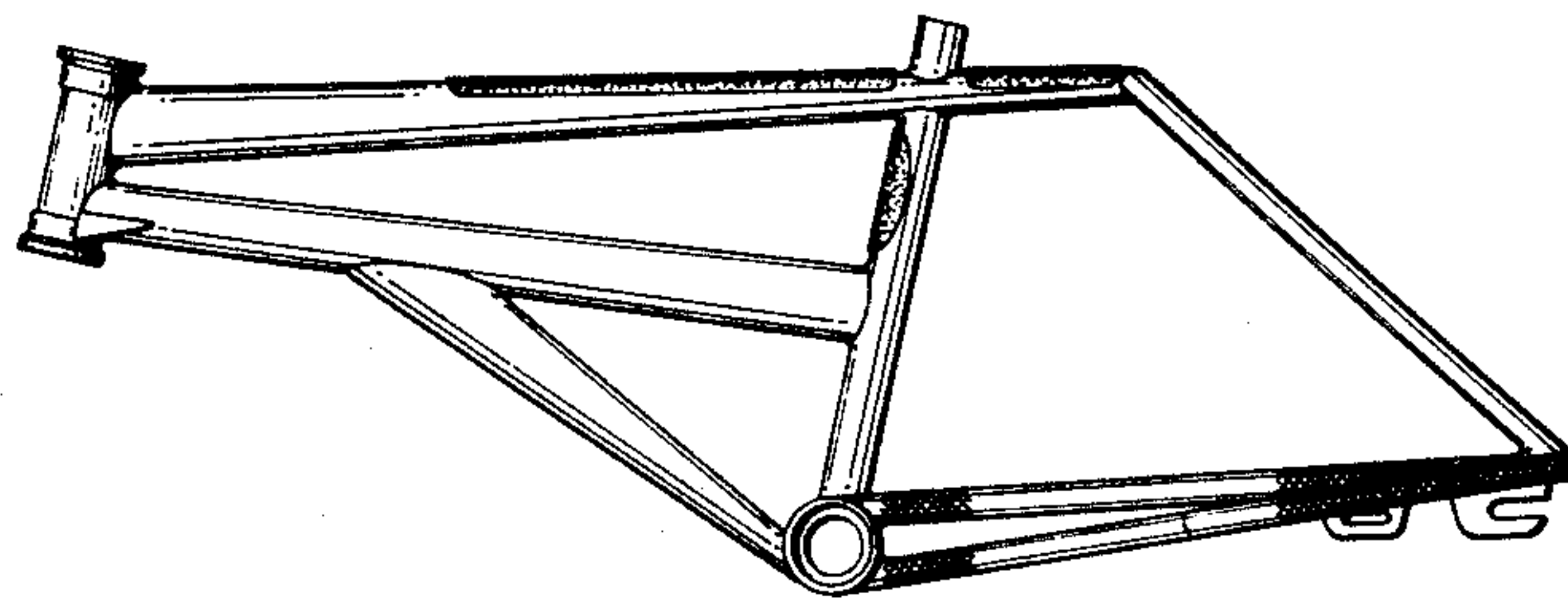
The ornamental design for a bicycle frame, as shown and described.

DESCRIPTION

FIG. 1 is the front elevation view of the bicycle frame. FIG. 2 is the rear elevation view of the bicycle frame. FIG. 3 is the left side elevation view of the bicycle frame which is a mirror image of the right side view of the bicycle frame.

FIG. 4 is the top plan view of the bicycle frame.

FIG. 5 is the bottom plan view of the bicycle frame.



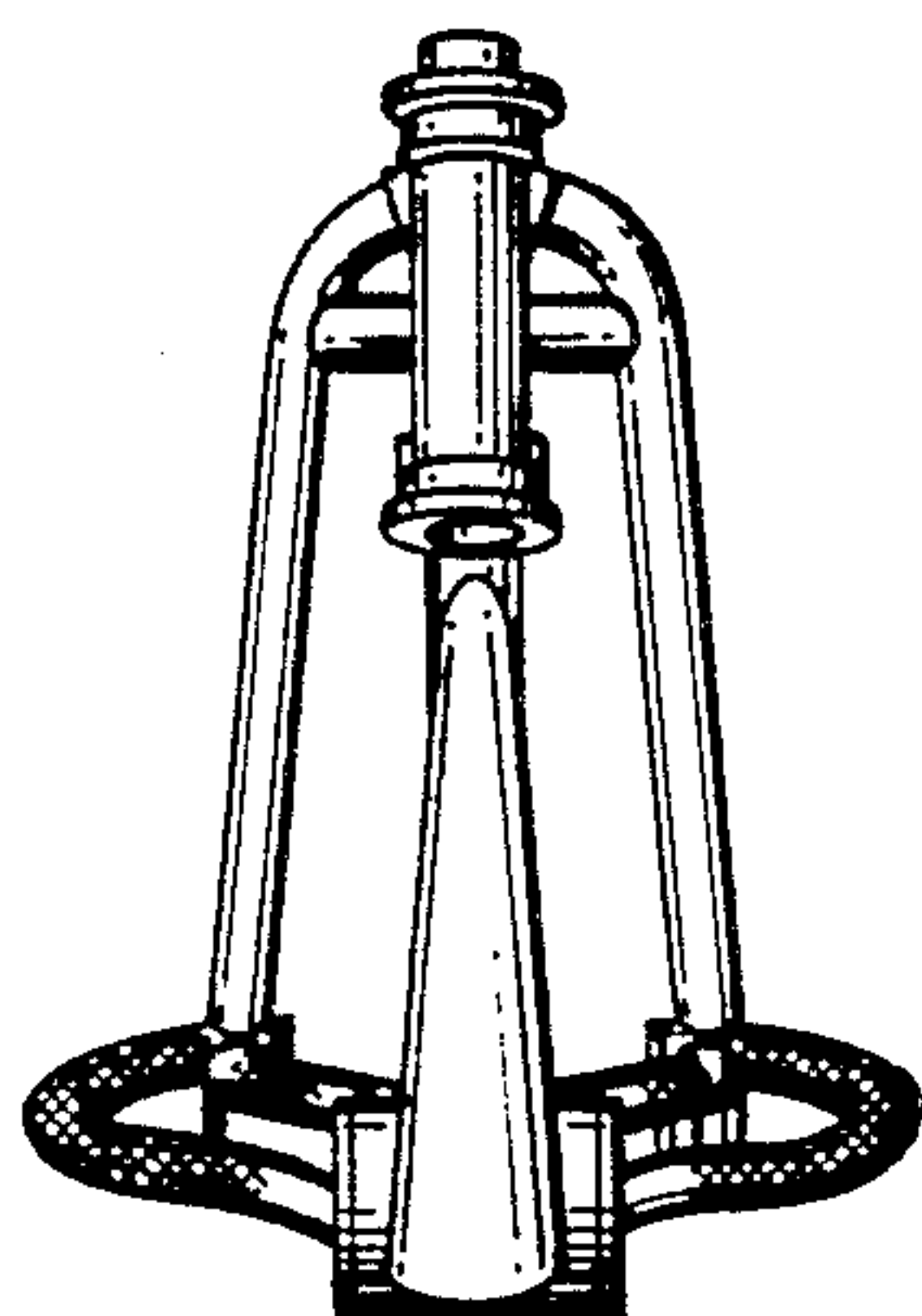


FIG. 1

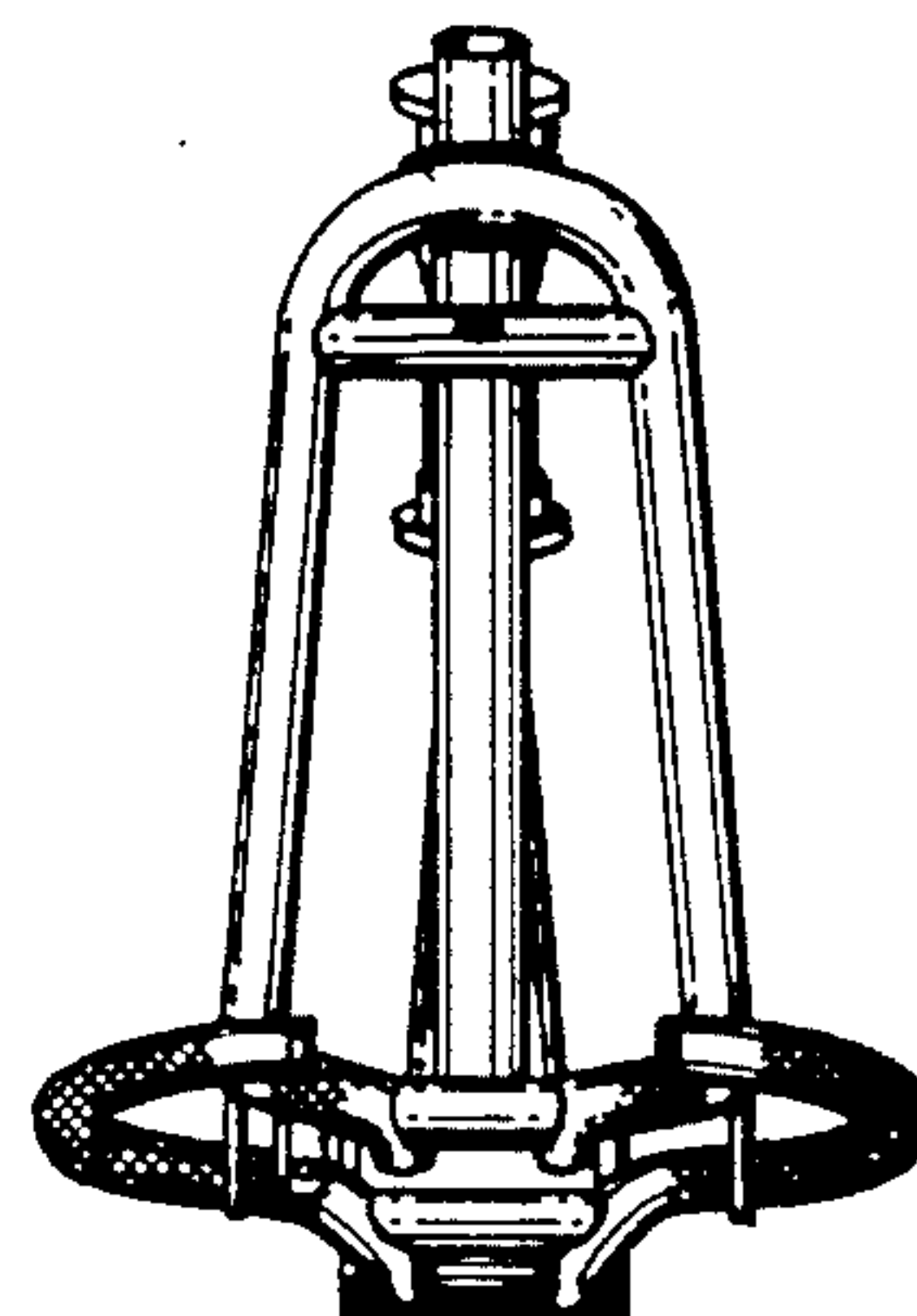


FIG. 2

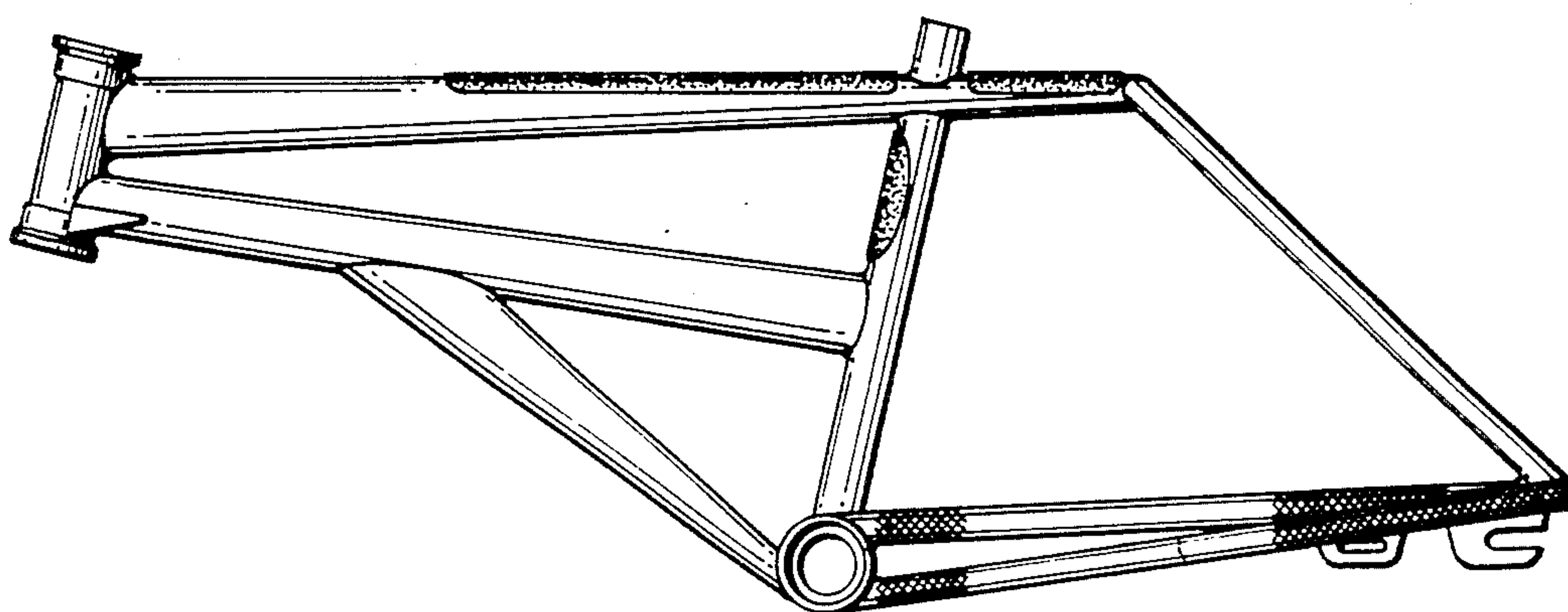


FIG. 3

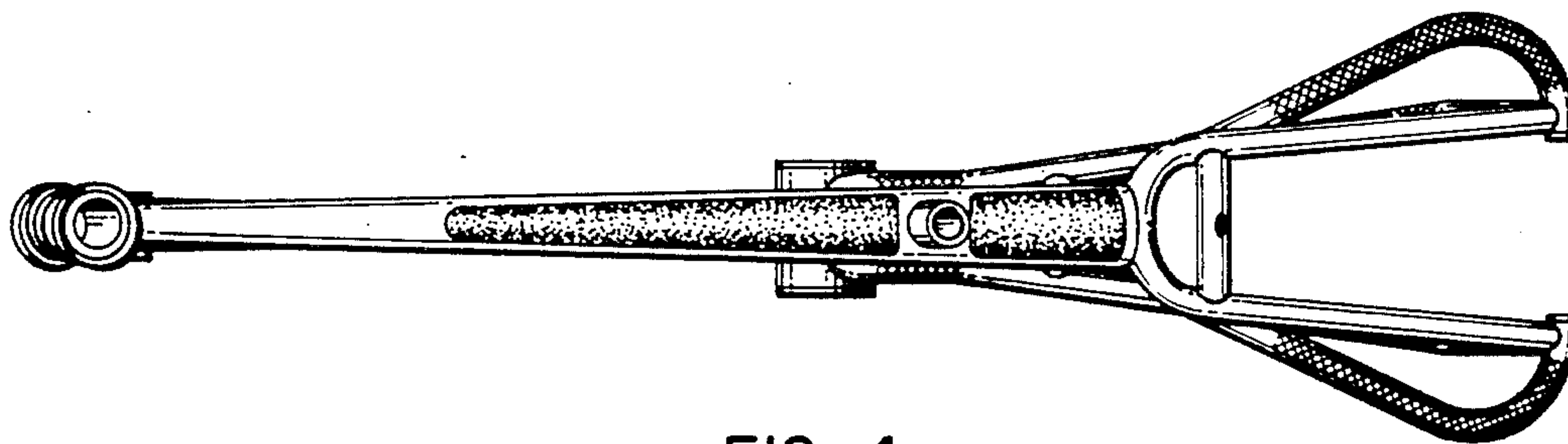


FIG. 4

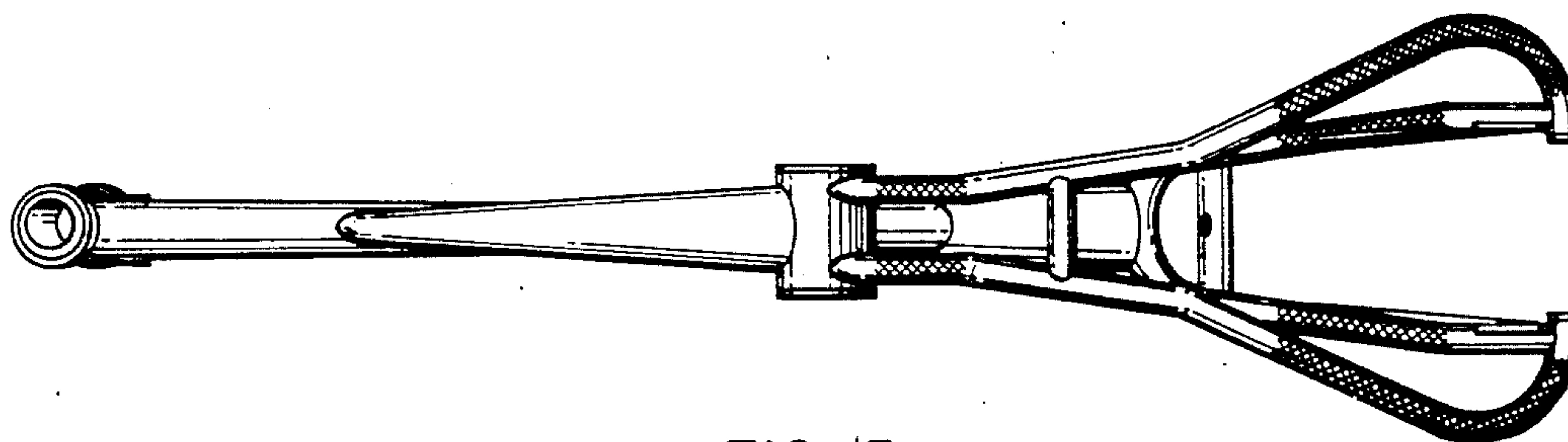


FIG. 5