

[54] CLASP FOR WRIST WATCH BAND

[75] Inventor: Hiroshi Watanabe, Tokyo, Japan

[73] Assignee: Citizen Watch Co., Ltd., Tokyo, Japan

[**] Term: 14 Years

[21] Appl. No.: 711,457

[22] Filed: Mar. 13, 1985

[30] Foreign Application Priority Data

Dec. 26, 1984 [JP] Japan 59-53840

[52] U.S. Cl. D11/234

[58] Field of Search D11/200, 201, 94, 230-234, D11/236, 237; 63/2; 24/163 R, 163 K, 170, 185, 188, 191-193, 197, 199

[56] References Cited

U.S. PATENT DOCUMENTS

- D. 28,505 4/1898 Noble D11/237
- D. 77,918 3/1929 Slote D11/237
- D. 157,817 3/1950 White D11/237

D. 217,534 5/1970 Aigner D11/230

Primary Examiner—Louis S. Zarfes
Attorney, Agent, or Firm—Koda and Androlia

[57] CLAIM

The ornamental design for a clasp for wrist watch band, as substantially shown and described.

DESCRIPTION

FIG. 1 is a front elevational view of a clasp for wrist watch band showing my new design;
 FIG. 2 is a rear elevational view thereof;
 FIG. 3 is a left side elevational view thereof;
 FIG. 4 is a right side elevational view thereof;
 FIG. 5 is a cross sectional view taken along the line A—A of FIG. 1;
 FIG. 6 is a top plan view of the clasp for wrist watch band;
 FIG. 7 is a cross sectional view taken along the line B—B of FIG. 1;
 FIG. 8 is a bottom plan view of the clasp of wrist watch band; and
 FIG. 9 is a perspective view thereof.

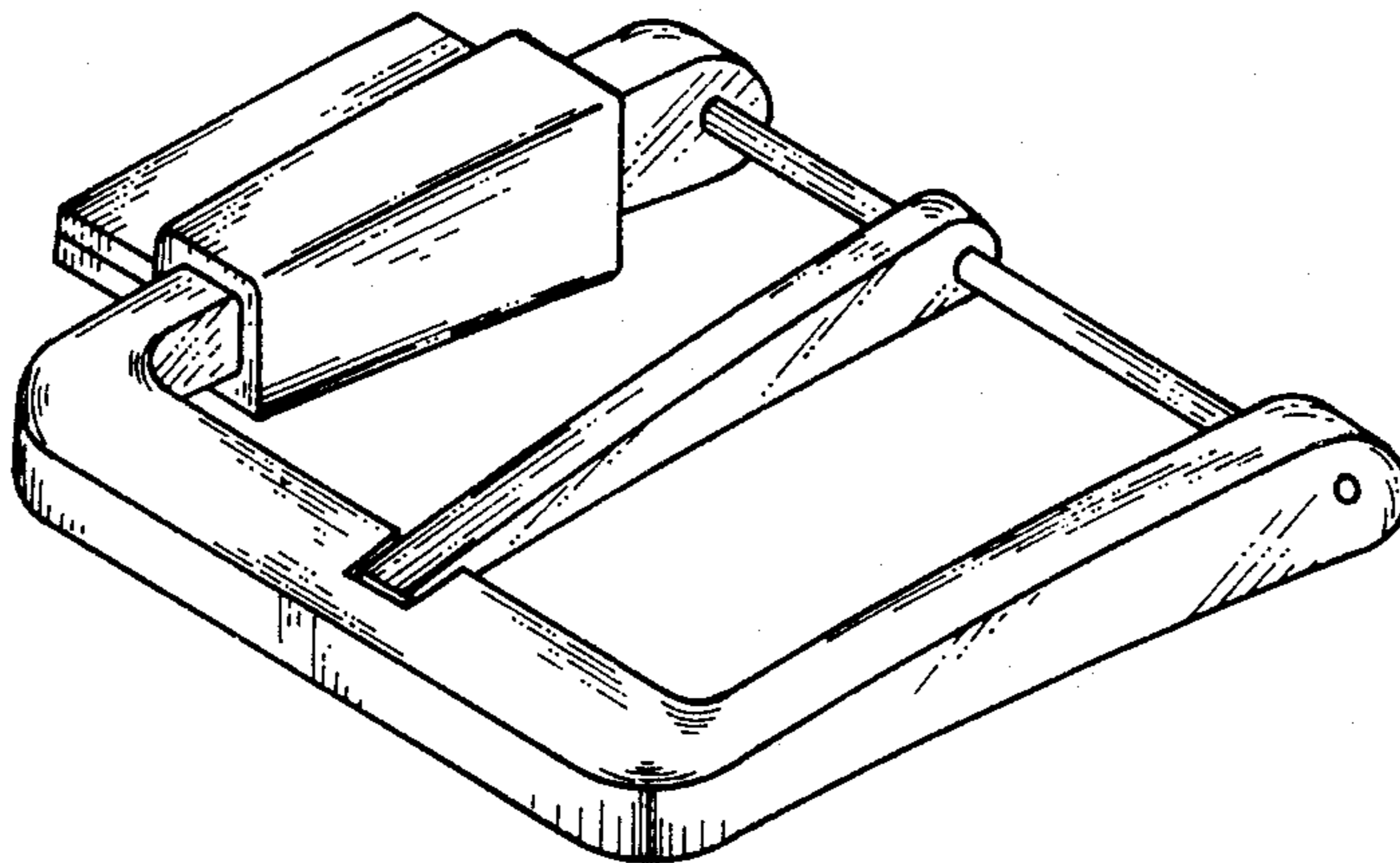


FIG.1

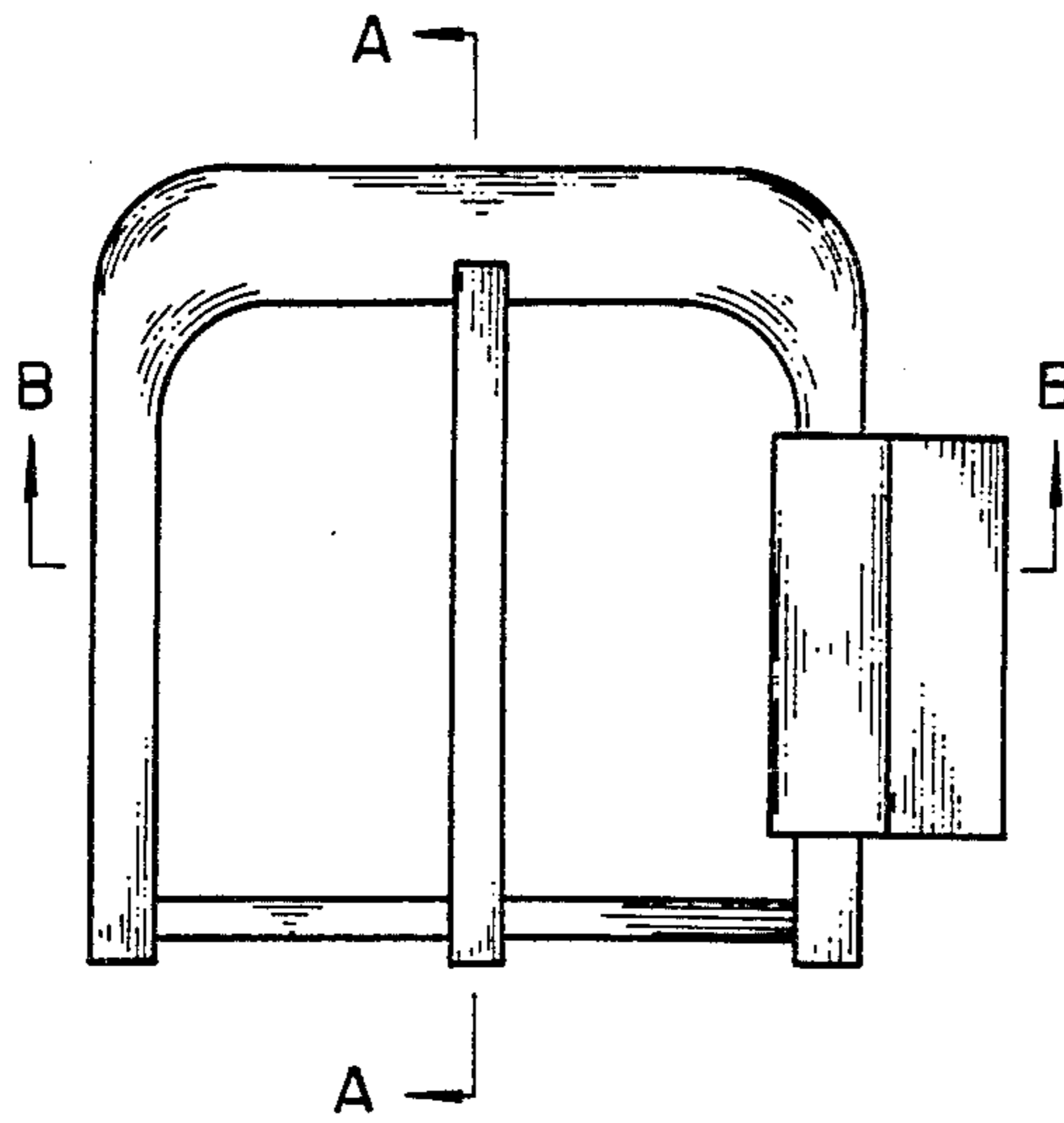


FIG.2

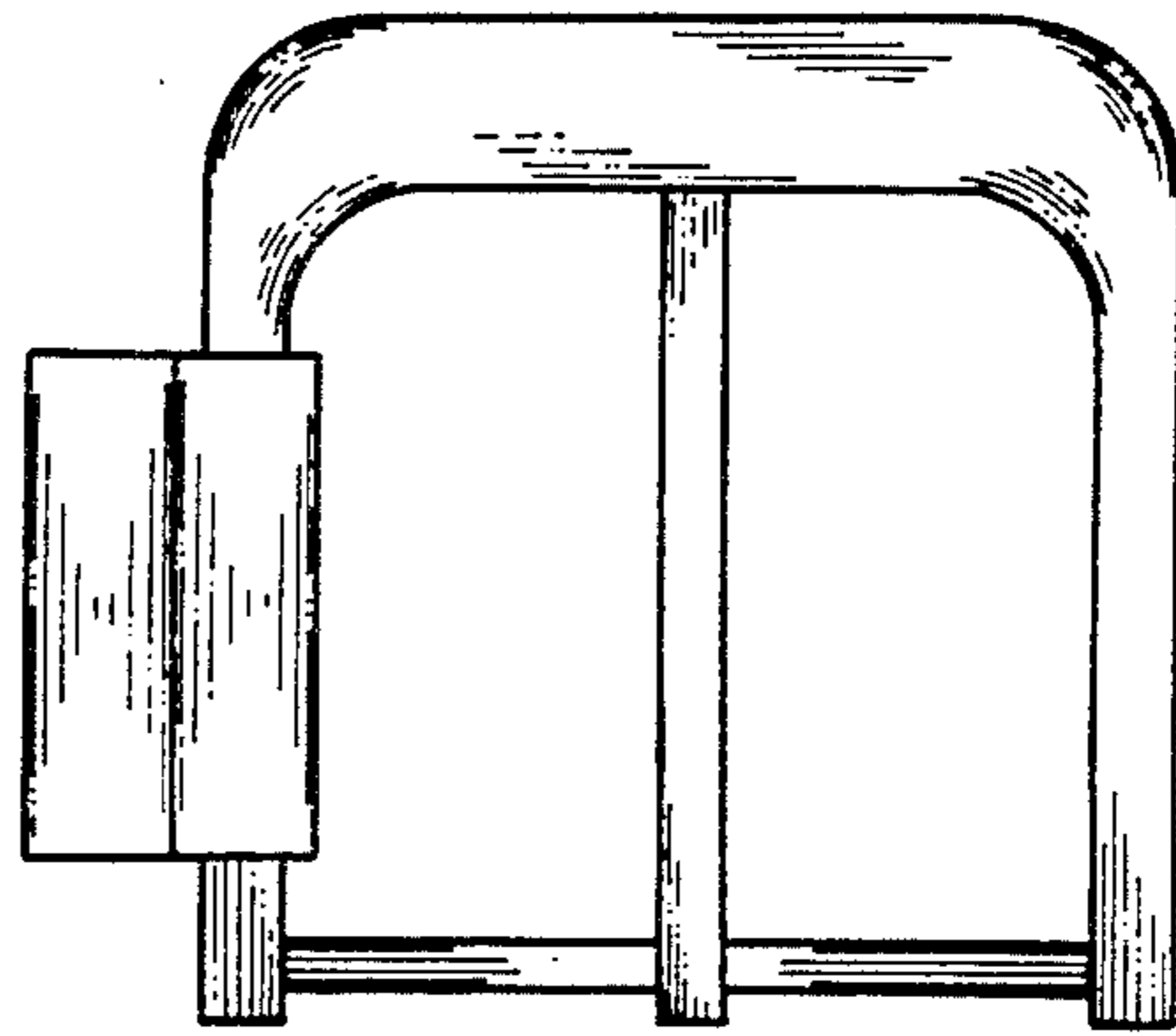


FIG.3



FIG.4



FIG.5

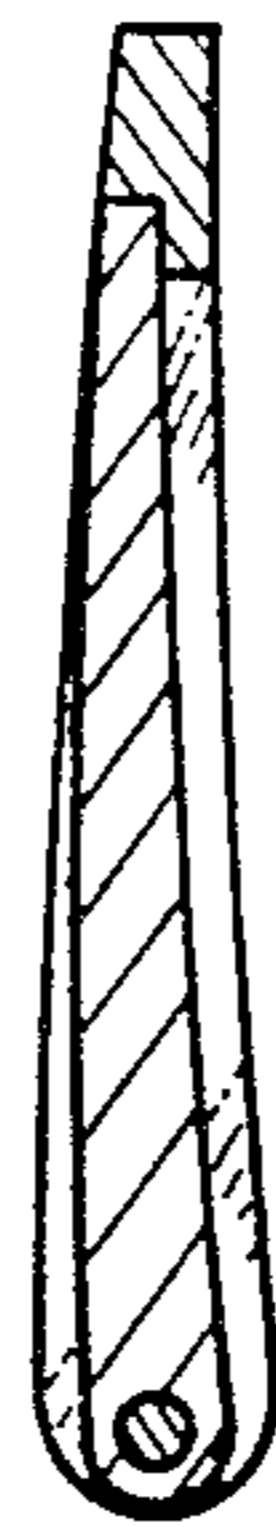


FIG. 6

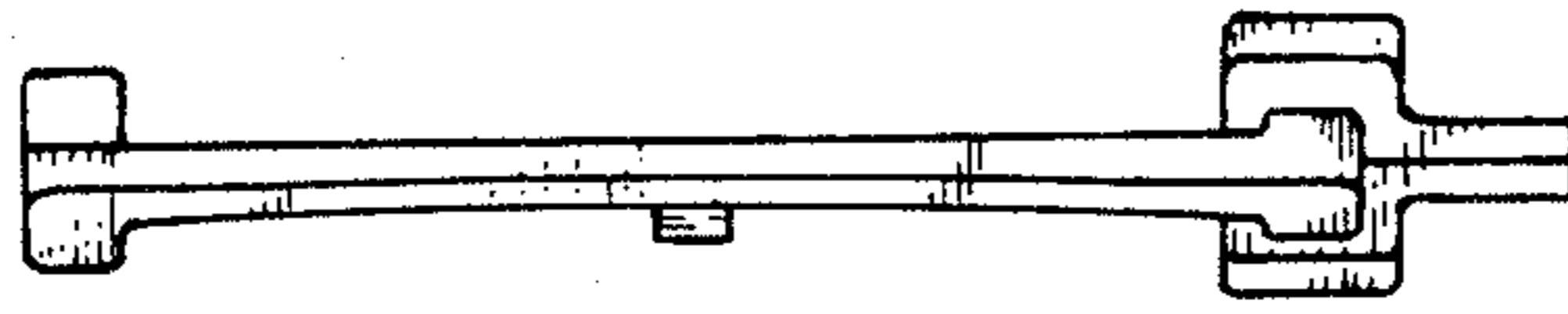


FIG. 7

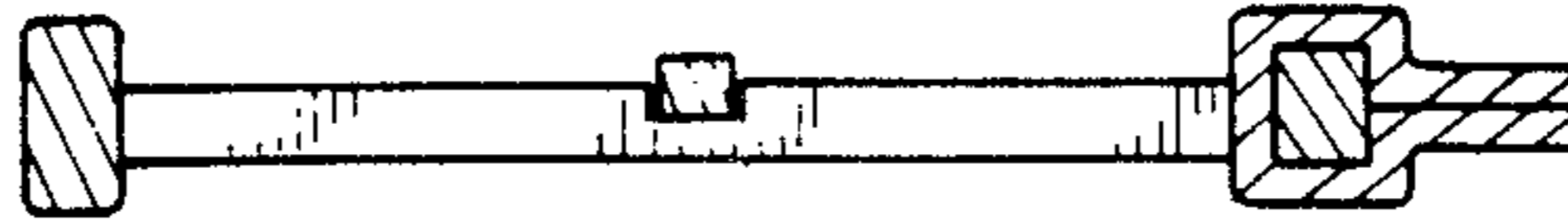


FIG. 8

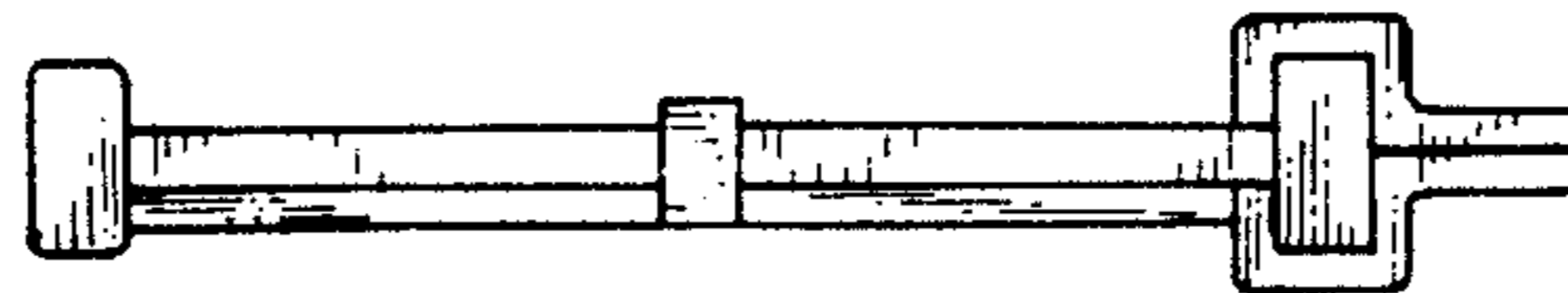


FIG. 9

