

[54] **CABLE FINDER**

[76] **Inventor: Gary L. Moore, 1225 14th Street, Los Osos, Calif. 93402**

[**] **Term: 14 Years**

[21] **Appl. No.: 690,473**

[22] **Filed: Jan. 10, 1985**

[52] **U.S. Cl. D10/46; D10/78**

[58] **Field of Search D10/46, 47, 57, 60, D10/103, 75, 78; 324/66, 67**

[56] **References Cited**

U.S. PATENT DOCUMENTS

D. 216,440	1/1970	Chilton	D10/57
D. 251,364	3/1979	Hénault	D10/47
D. 255,336	6/1980	Roettele	D10/47 X
D. 275,086	8/1984	McDonough	D10/78
D. 276,796	12/1984	Allender	D10/78 X
D. 280,183	8/1985	Braun	D10/46
3,988,663	10/1976	Slouth	324/67 X

FOREIGN PATENT DOCUMENTS

699181 11/1953 United Kingdom D10/46

OTHER PUBLICATIONS

Design-3/79-p. 39-Cable Locator at top.

Primary Examiner—Nelson C. Holtje

Attorney, Agent, or Firm—Jerry N. Lulejian

[57] **CLAIM**

The ornamental design for a cable finder, as shown and described.

DESCRIPTION

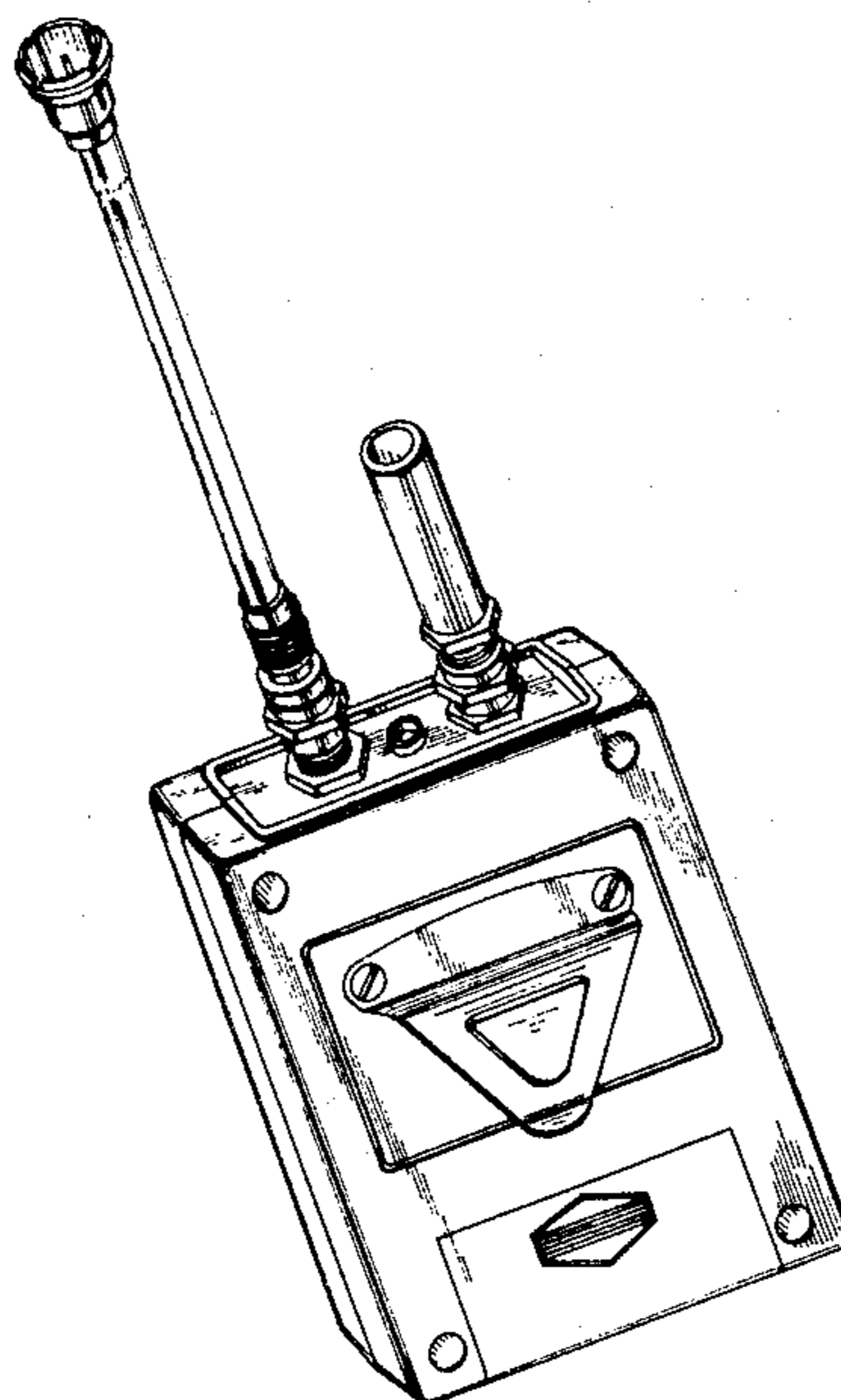
FIG. 1 is a top and right rear perspective view of a cable finder showing my new design;

FIG. 2 is a rear elevational view thereof;

FIG. 3 is a top plan view thereof, the bottom being substantially plain and unornamented;

FIG. 4 is a front elevational view thereof.

The left side, not shown, is identical to the right side.



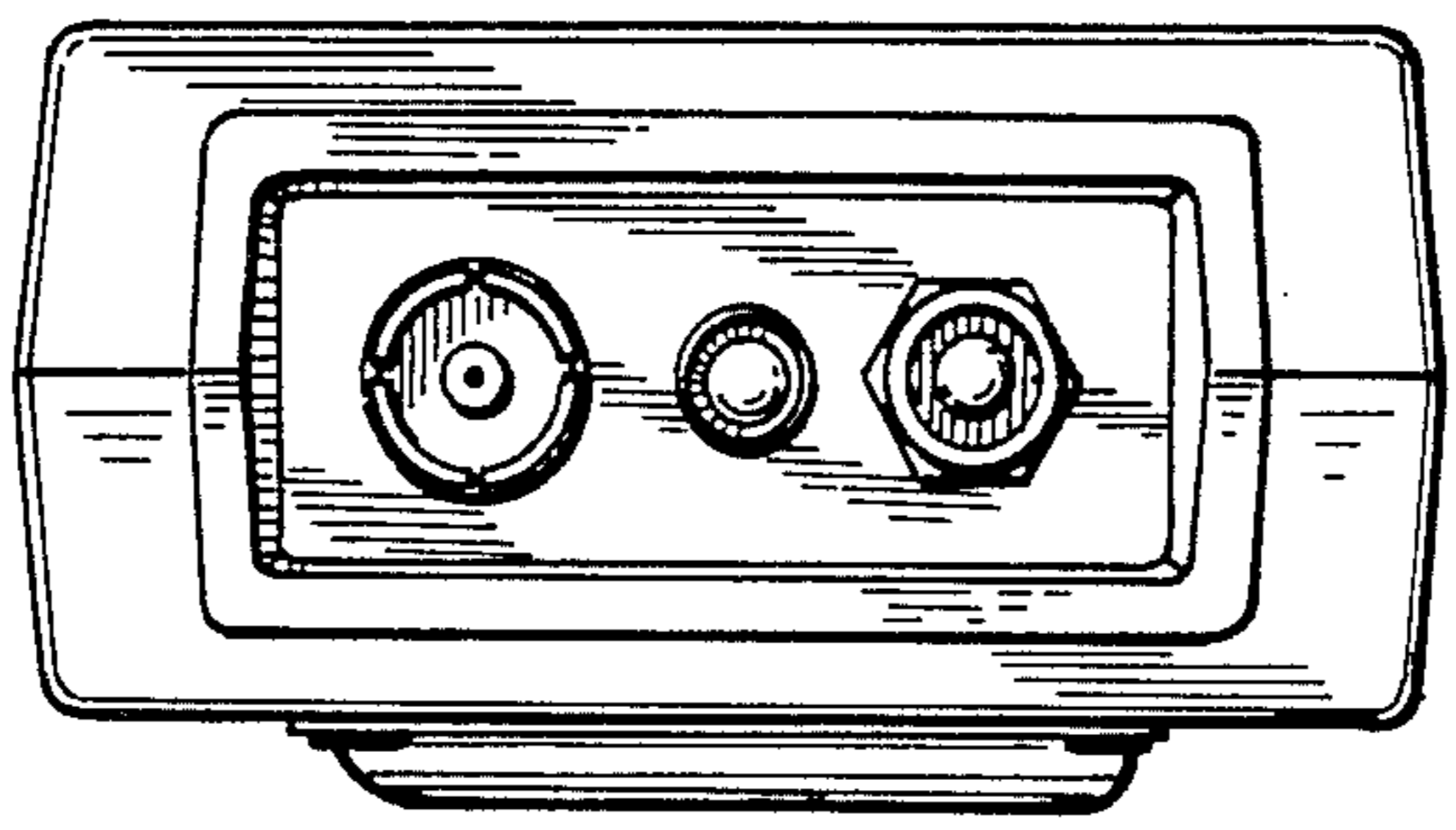


FIG. 3

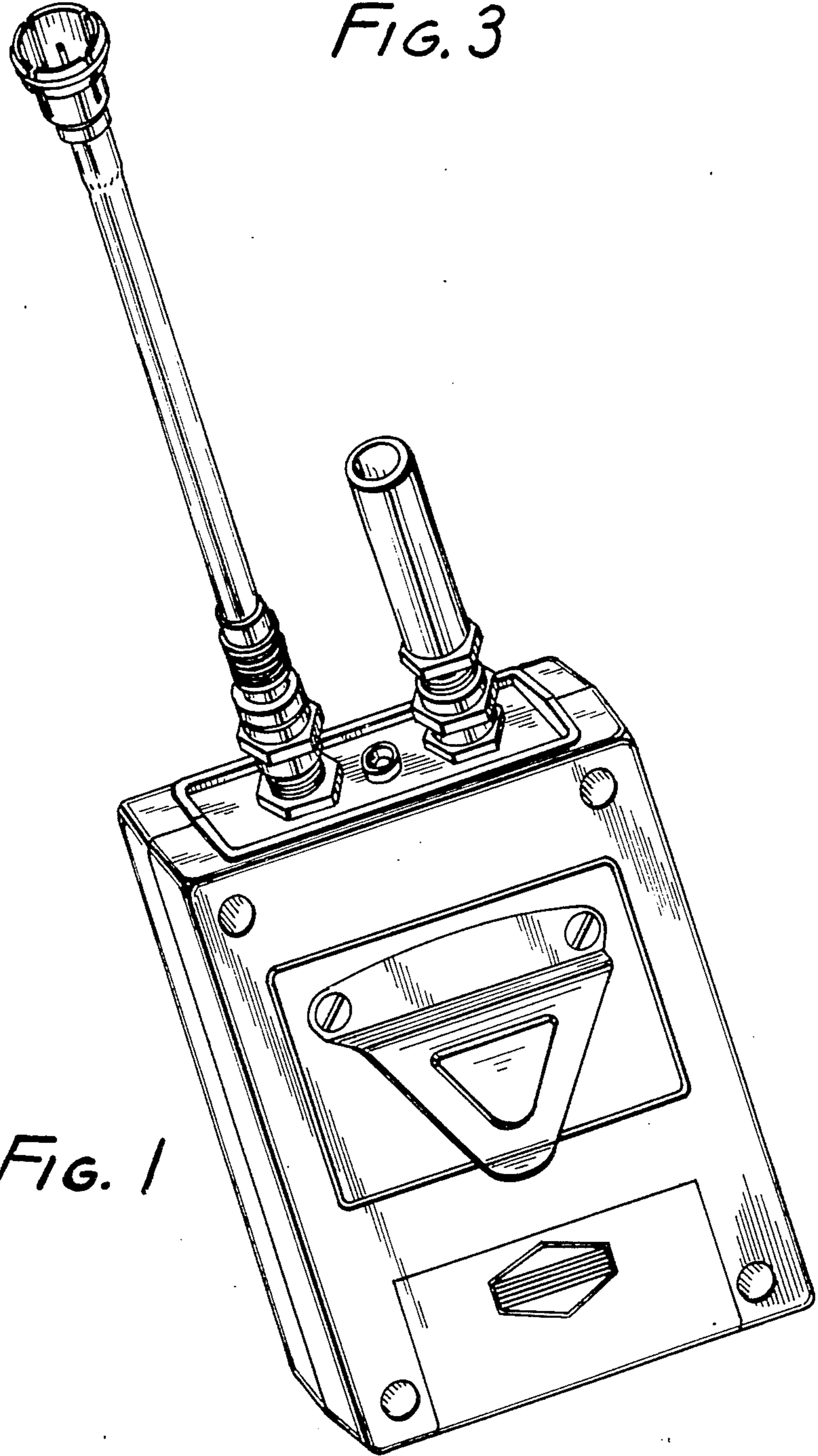


FIG. 1

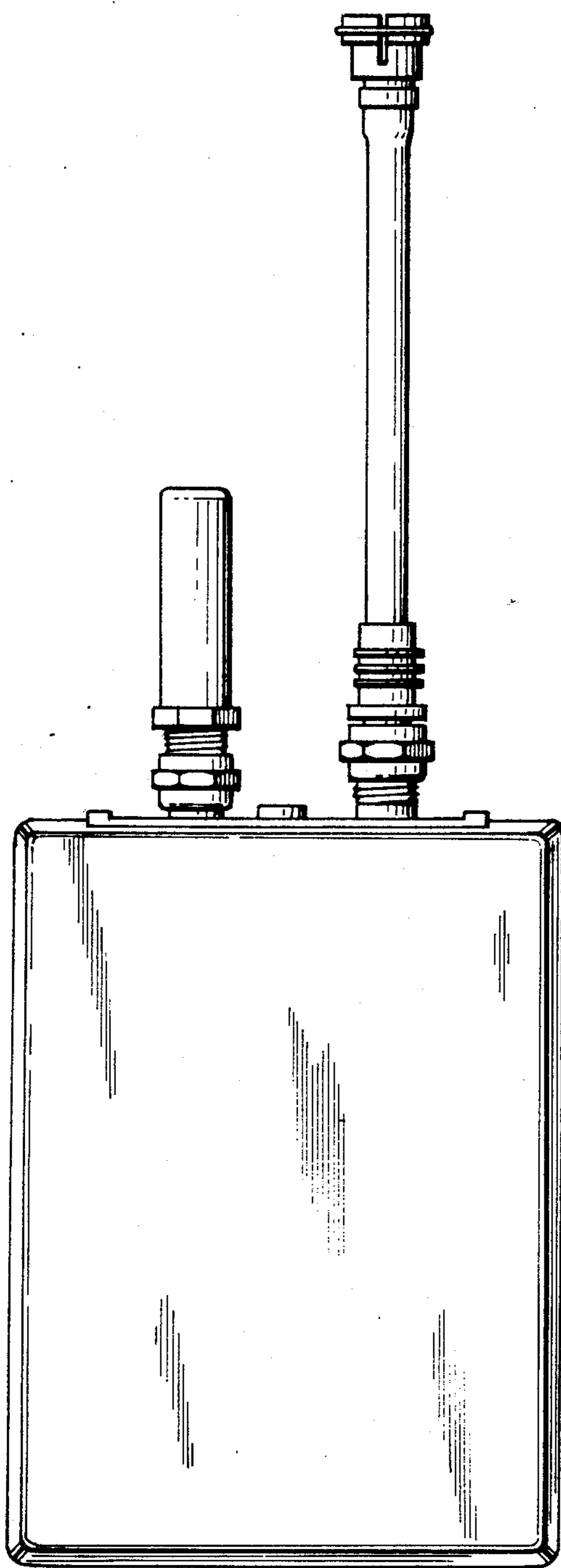


FIG. 4

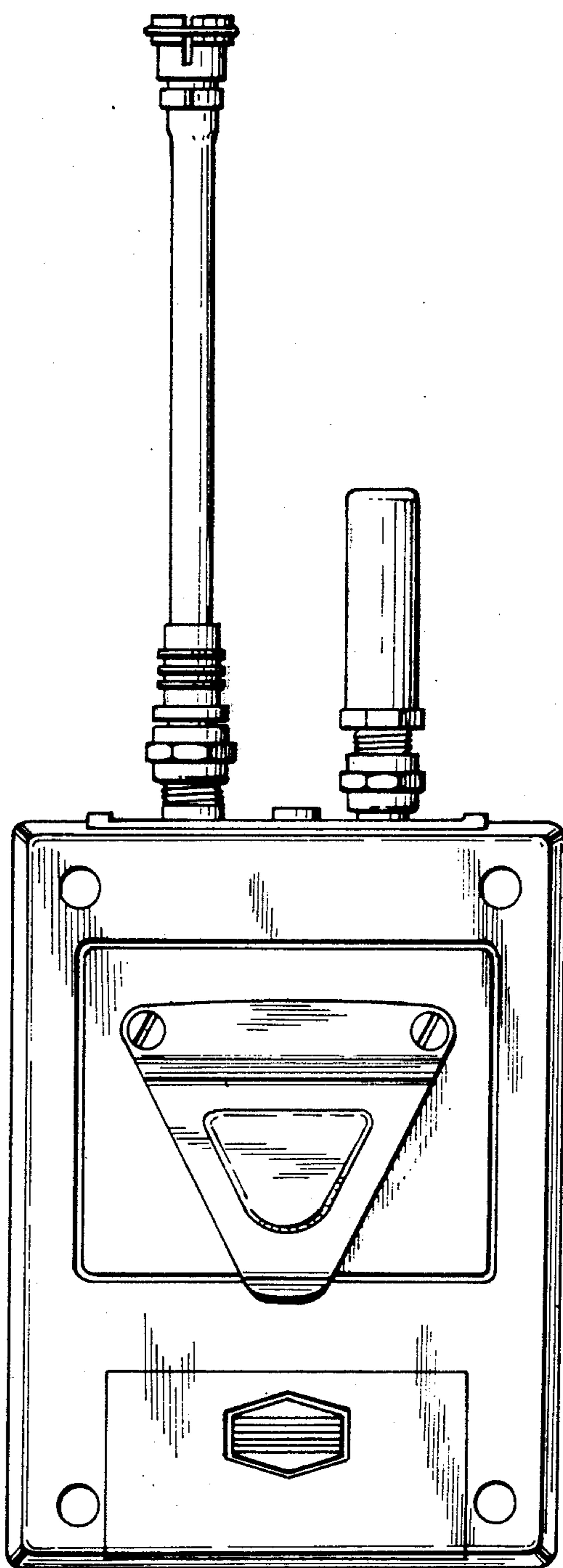


FIG. 2