

[54] TUBULAR KEY

[76] Inventor: Donald R. Hughes, 2600 Brower Ave.,  
Simi Valley, Calif. 93065

[\*\*] Term: 14 Years

[21] Appl. No.: 793,854

[22] Filed: Nov. 1, 1985

[52] U.S. Cl. .... D8/347; D8/107;  
D8/21

[58] Field of Search ..... D8/347-348,  
D8/338, 341, 343, 80, 83, 94, 107; 70/336,  
344-345, 393, 402-404, 408-409

[56] References Cited

U.S. PATENT DOCUMENTS

D. 244,081	4/1977	Steinbach	.....	D8/347
D. 253,160	10/1979	Steinbach	.....	D8/347
D. 259,764	7/1981	Fonhy	.....	D8/331
D. 275,932	10/1984	Himbert et al.	.....	D8/83
3,886,780	6/1975	Falk	.....	70/404 X

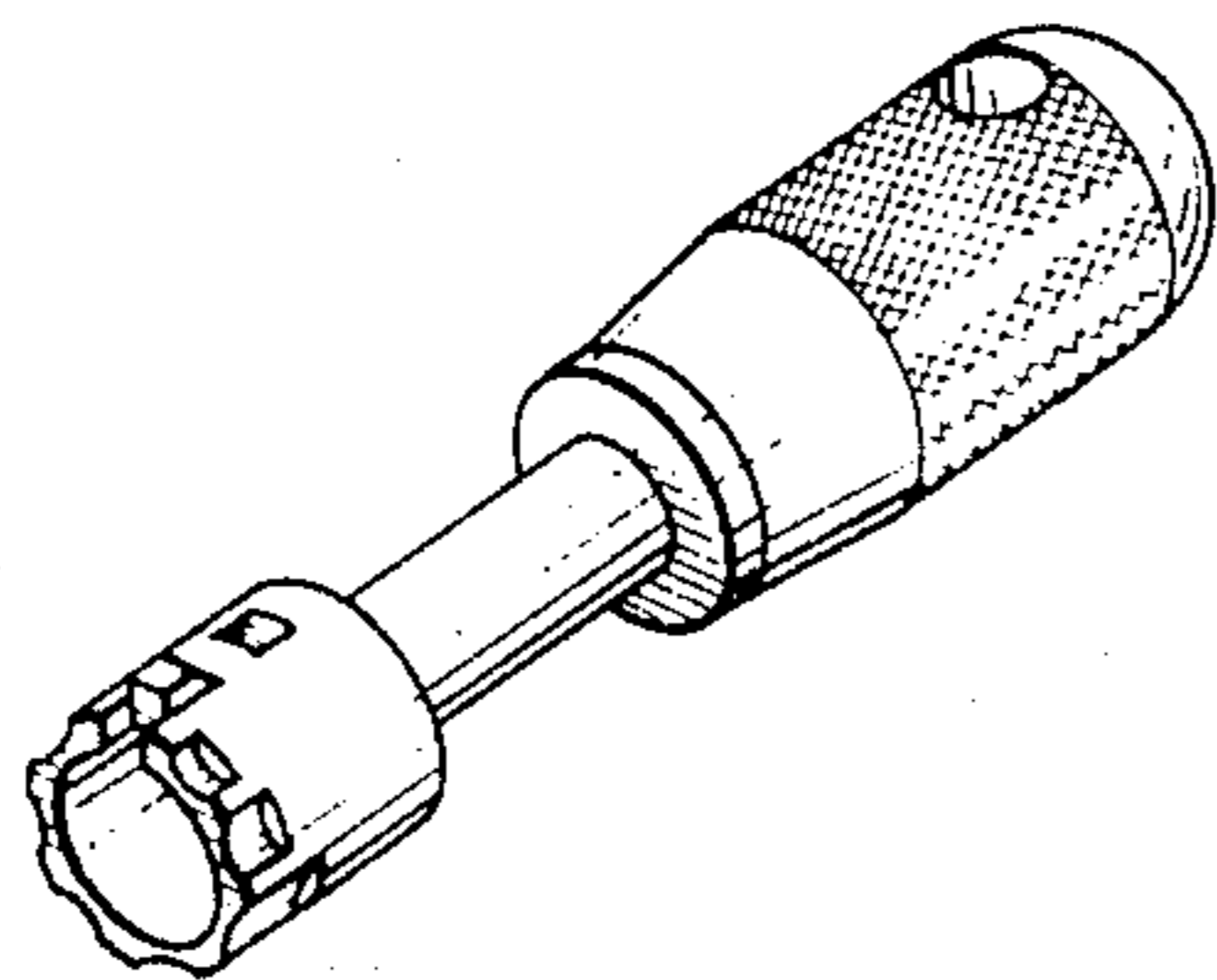
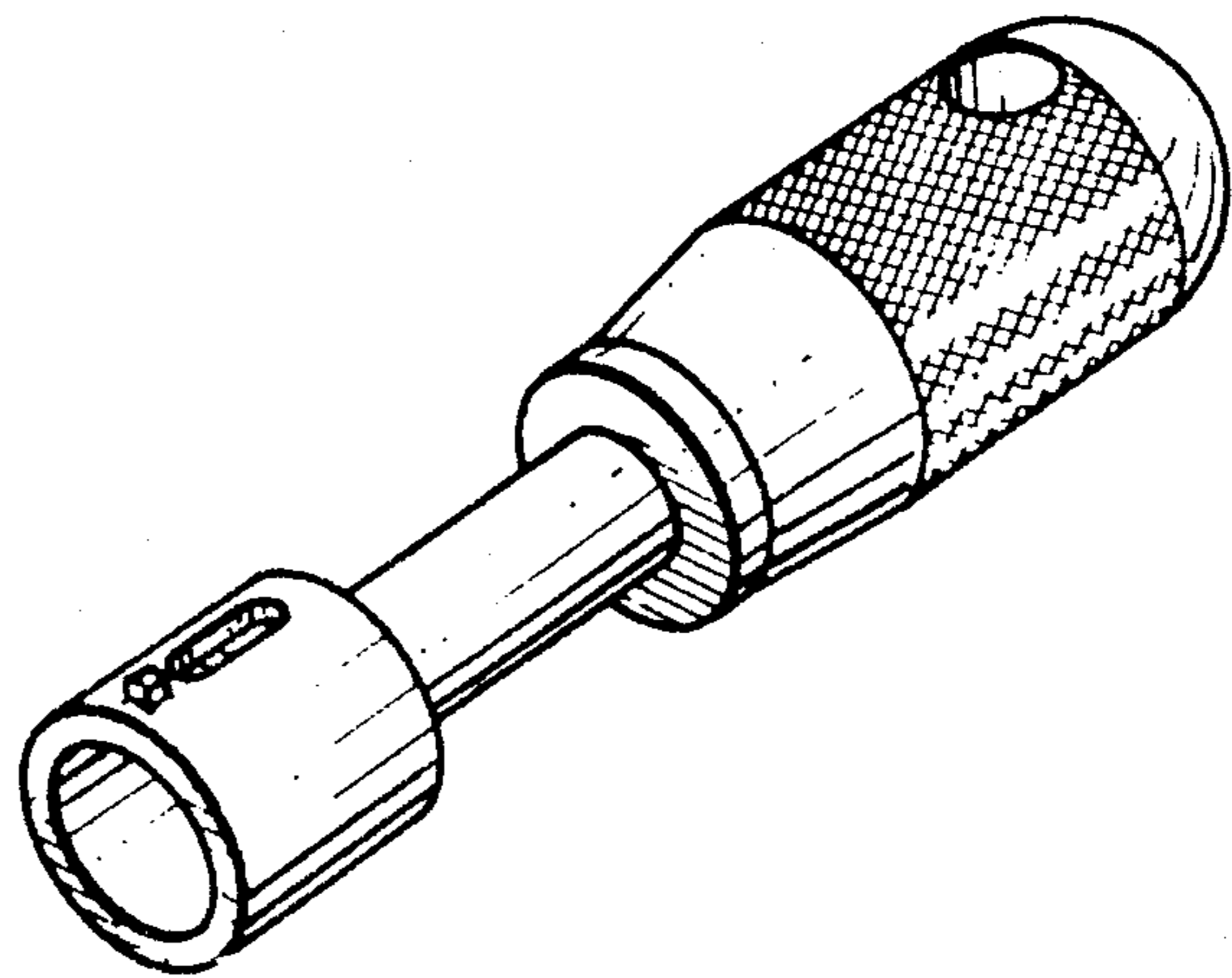
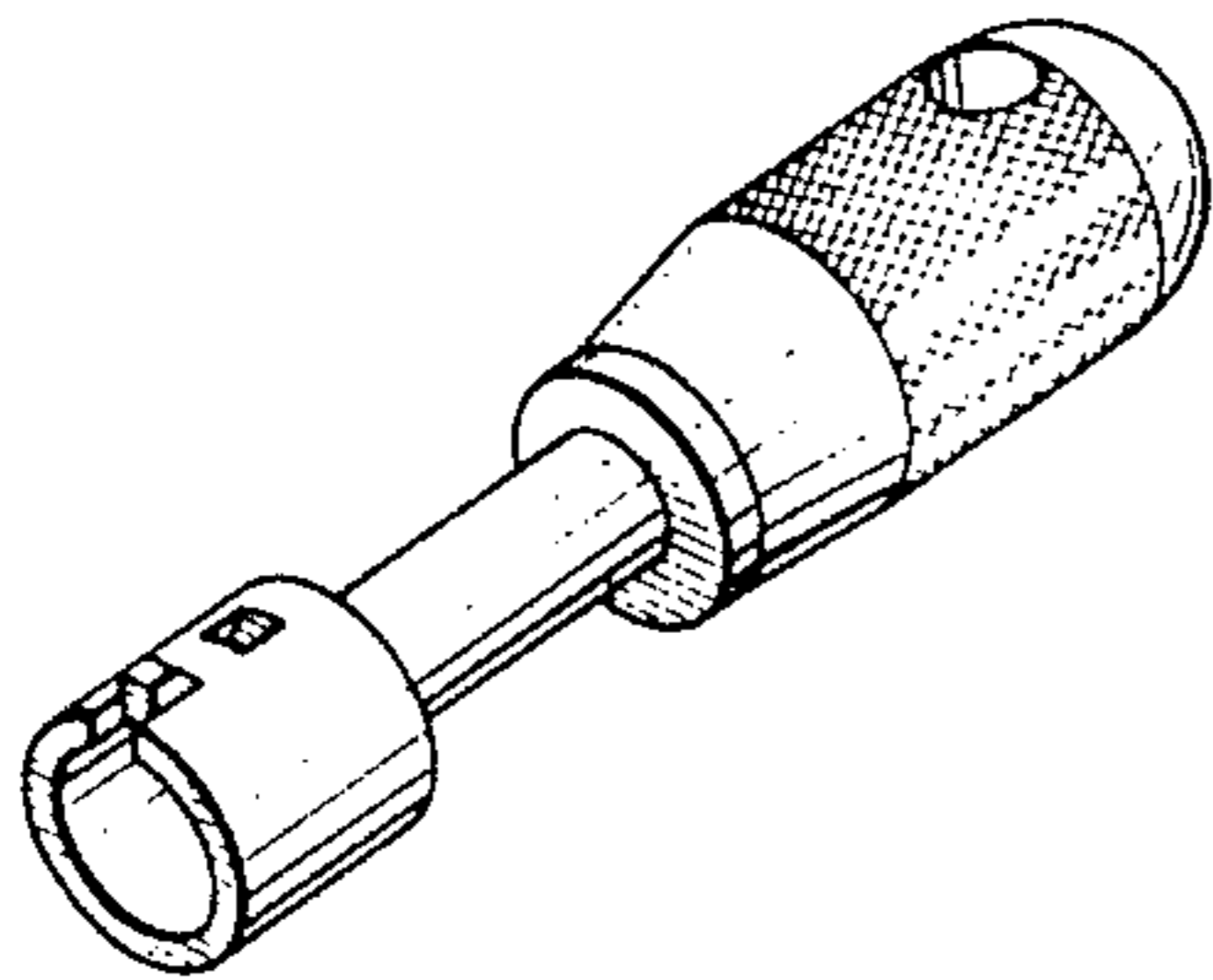
Primary Examiner—Wallace R. Burke  
Assistant Examiner—Brian N. Vinson  
Attorney, Agent, or Firm—Jack C. Munro

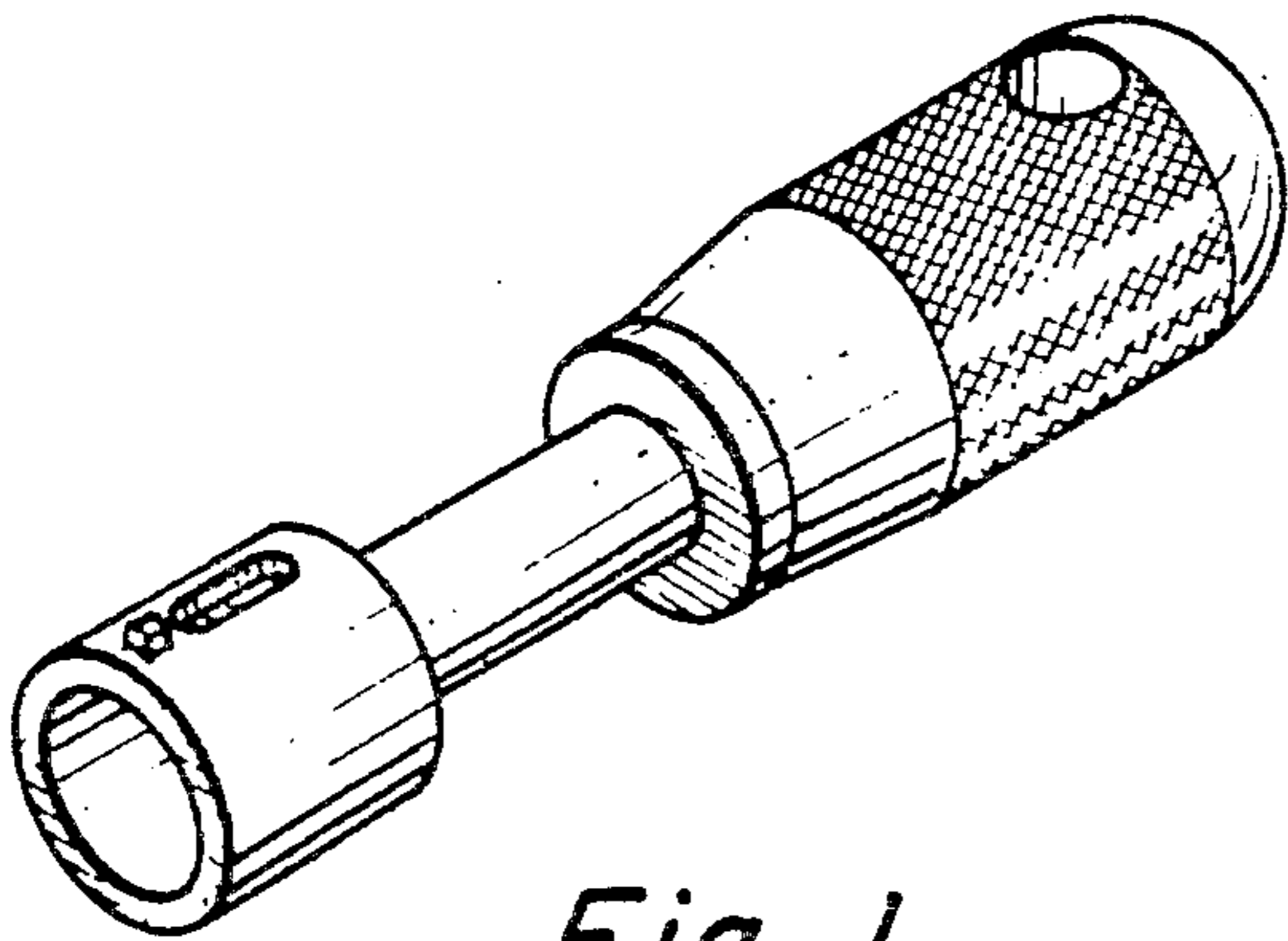
[57] CLAIM

The ornamental design for a tubular key, substantially as shown and described.

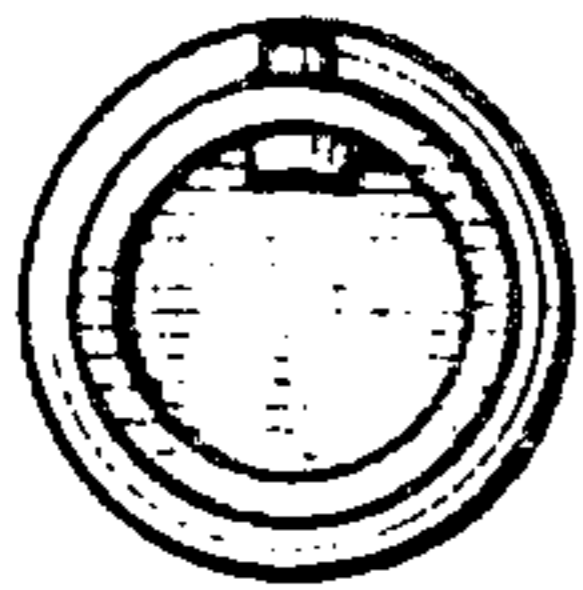
DESCRIPTION

FIG. 1 is a perspective view of a tubular key showing my new design;  
FIG. 2 is a front elevational view thereof;  
FIG. 3 is a side elevational view thereof, the opposite side being a mirror image;  
FIG. 4 is a rear elevational view thereof;  
FIG. 5 is a top plan view thereof;  
FIG. 6 is a bottom plan view thereof;  
FIG. 7 is a perspective view of a second embodiment thereof, the only difference residing in the configuration of the open tubular end;  
FIG. 8 is a perspective view of a third embodiment thereof, the only difference residing in the configuration of the open tubular end.

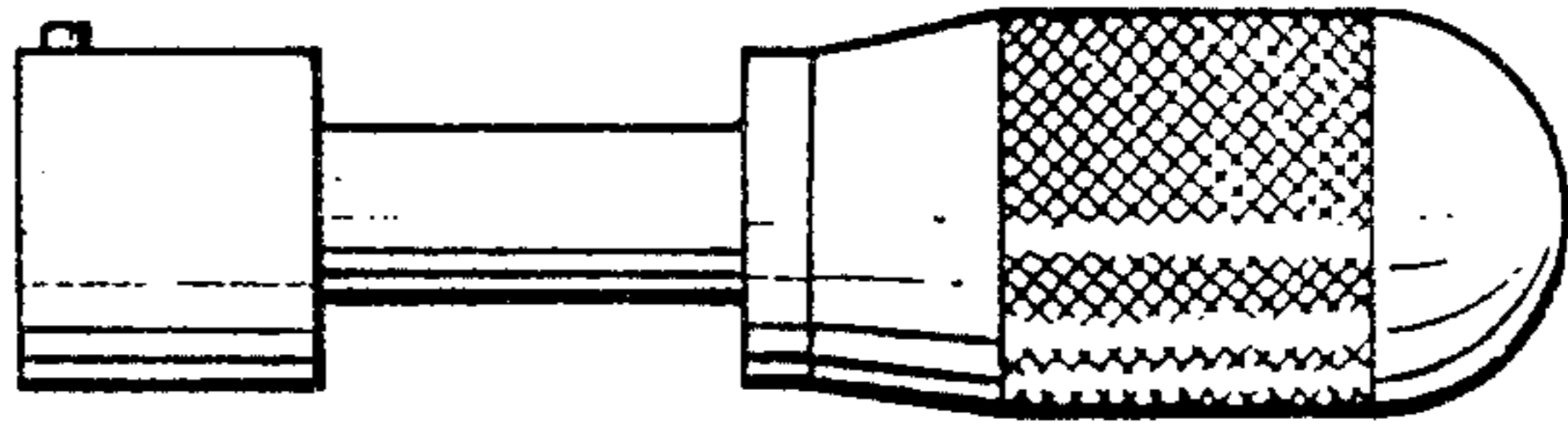




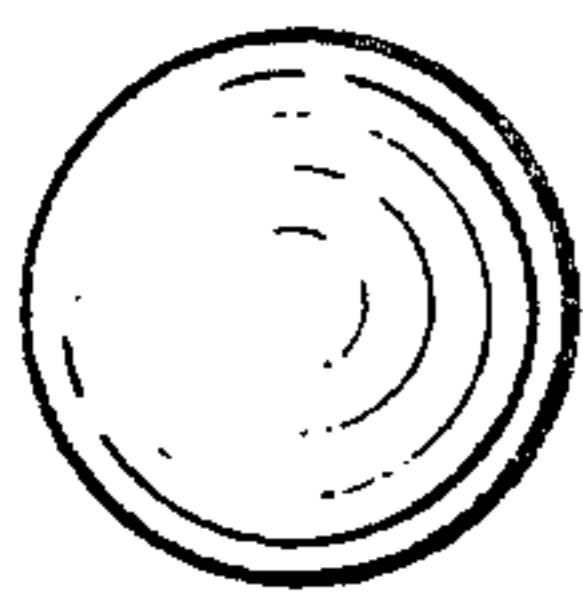
*Fig. 1.*



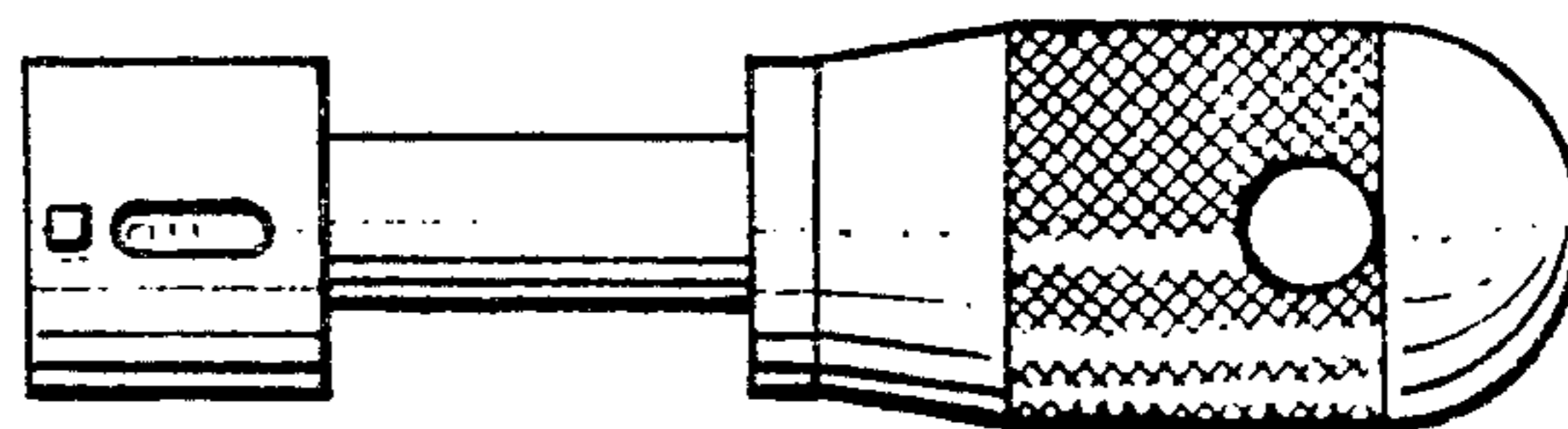
*Fig. 2.*



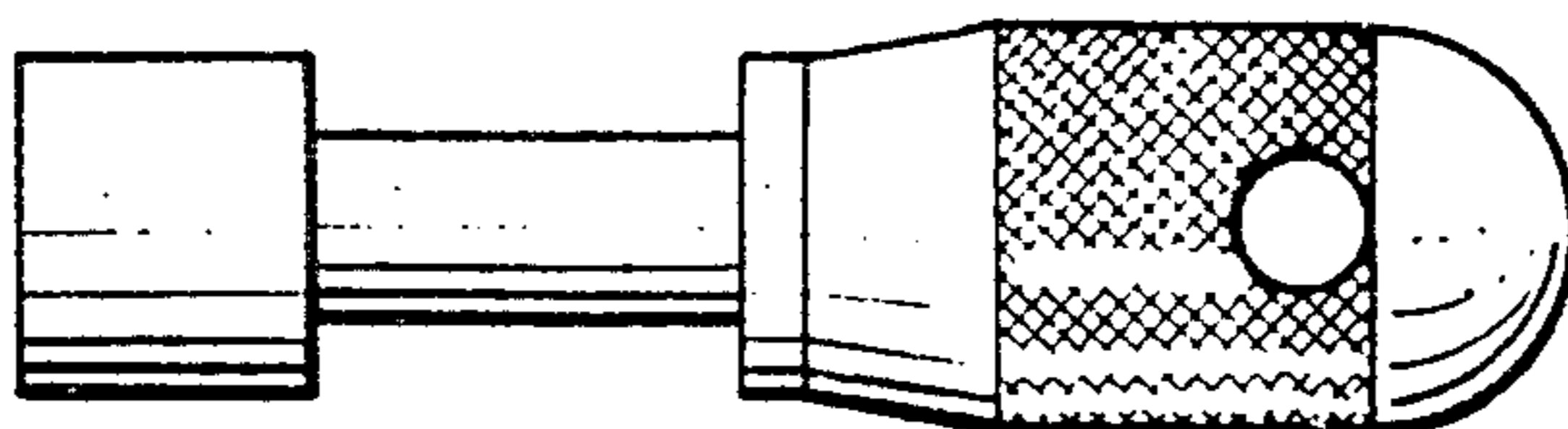
*Fig. 3.*



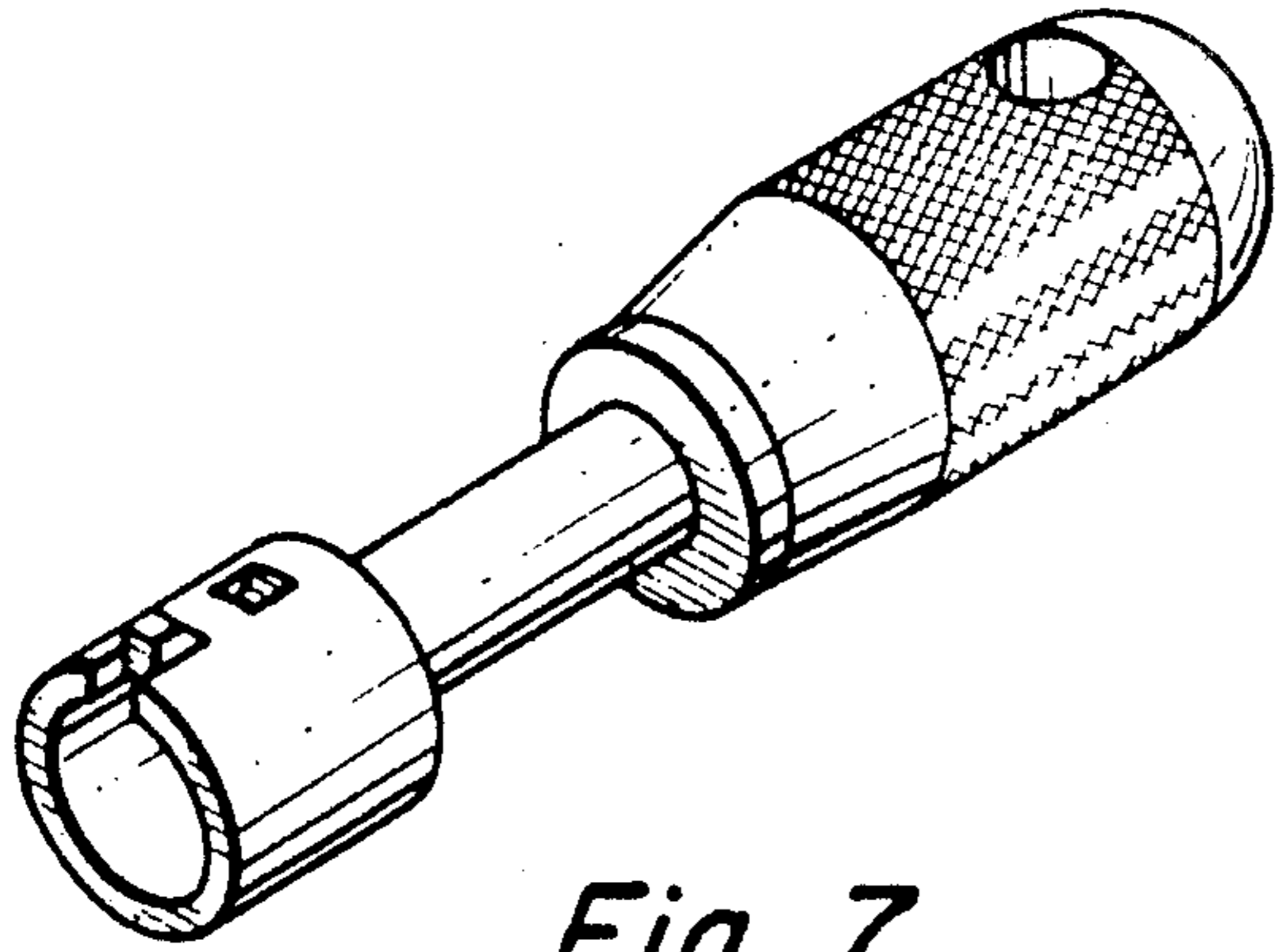
*Fig. 4.*



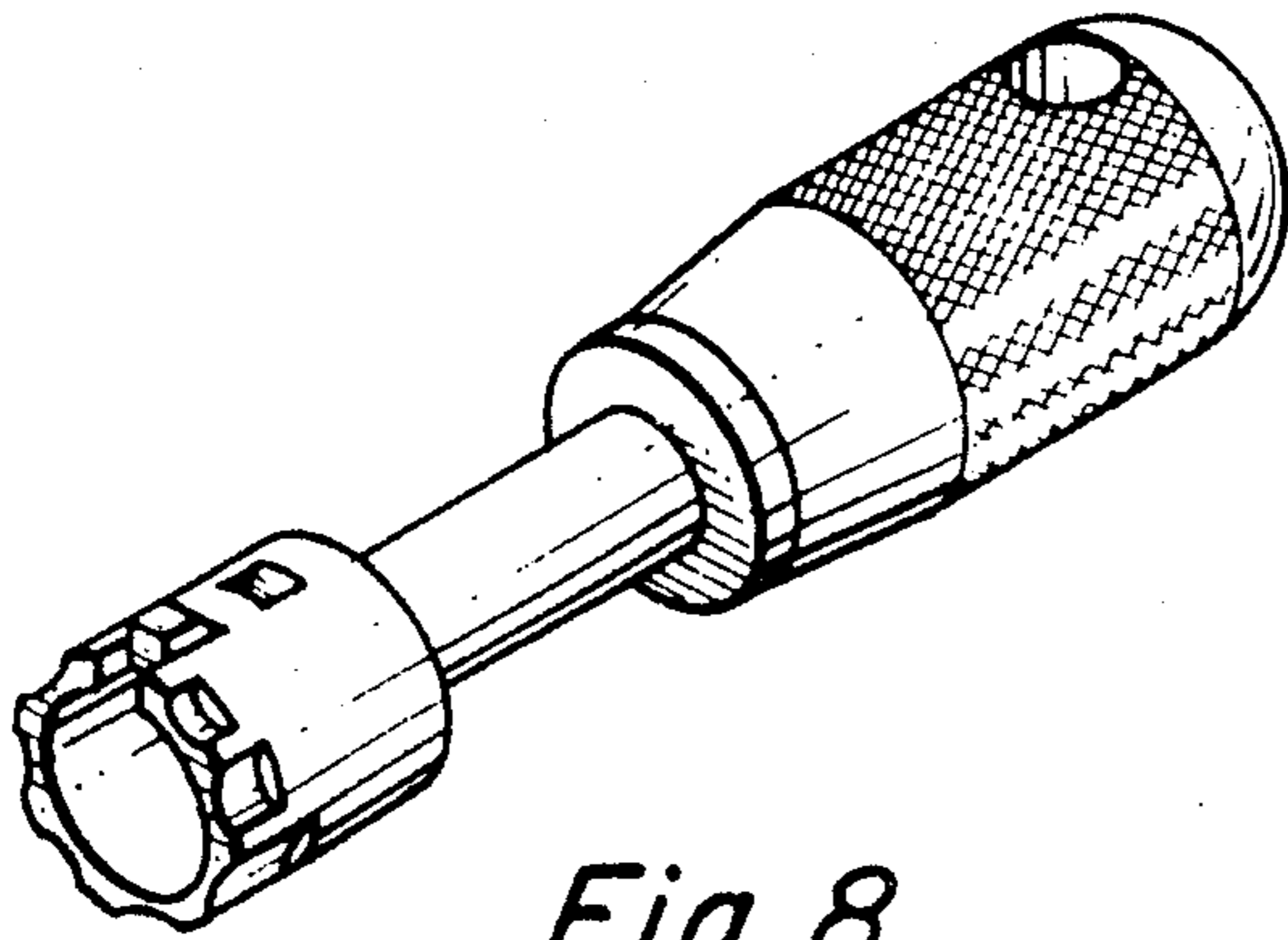
*Fig. 5.*



*Fig. 6.*



*Fig. 7.*



*Fig. 8.*