

[54] CUP HOLDER

[75] Inventor: Anthony Rowe, Richmond, United Kingdom

[73] Assignee: Mars G. B. Limited, London, England

[**] Term: 14 Years

[21] Appl. No.: 625,952

[22] Filed: Jun. 29, 1984

[30] Foreign Application Priority Data

Dec. 29, 1983 [GB] United Kingdom 1017097

[52] U.S. Cl. D7/70

[58] Field of Search D7/70, 71; 248/346.1, 248/311.2; 220/85 H; 215/100 R, 100.5; 211/74, 75, 88

[56] References Cited

U.S. PATENT DOCUMENTS

D. 42,425 4/1912 Strause D7/70

D. 195,309 5/1963 Mount D7/70
1,334,342 3/1920 Woods 220/85 H

OTHER PUBLICATIONS

Tableware, 9/63, p. 654, panel #56, Cup Holder.
Design, 8/76, p. 56 Cup Holder.

Primary Examiner—Bernard Ansher
Assistant Examiner—Terry Pfeffer
Attorney, Agent, or Firm—Curtis, Morris & Safford

[57] CLAIM

The ornamental design for a cup holder, as shown and described.

DESCRIPTION

FIG. 1 is a front elevational view of a cup holder showing my new design;
FIG. 2 is a rear elevational view thereof;
FIG. 3 is a bottom plan view thereof;
FIG. 4 is a top plan view thereof;
FIG. 5 is a right side elevational view thereof; and
FIG. 6 is a cross-section taken along line 6—6 of FIG. 2.

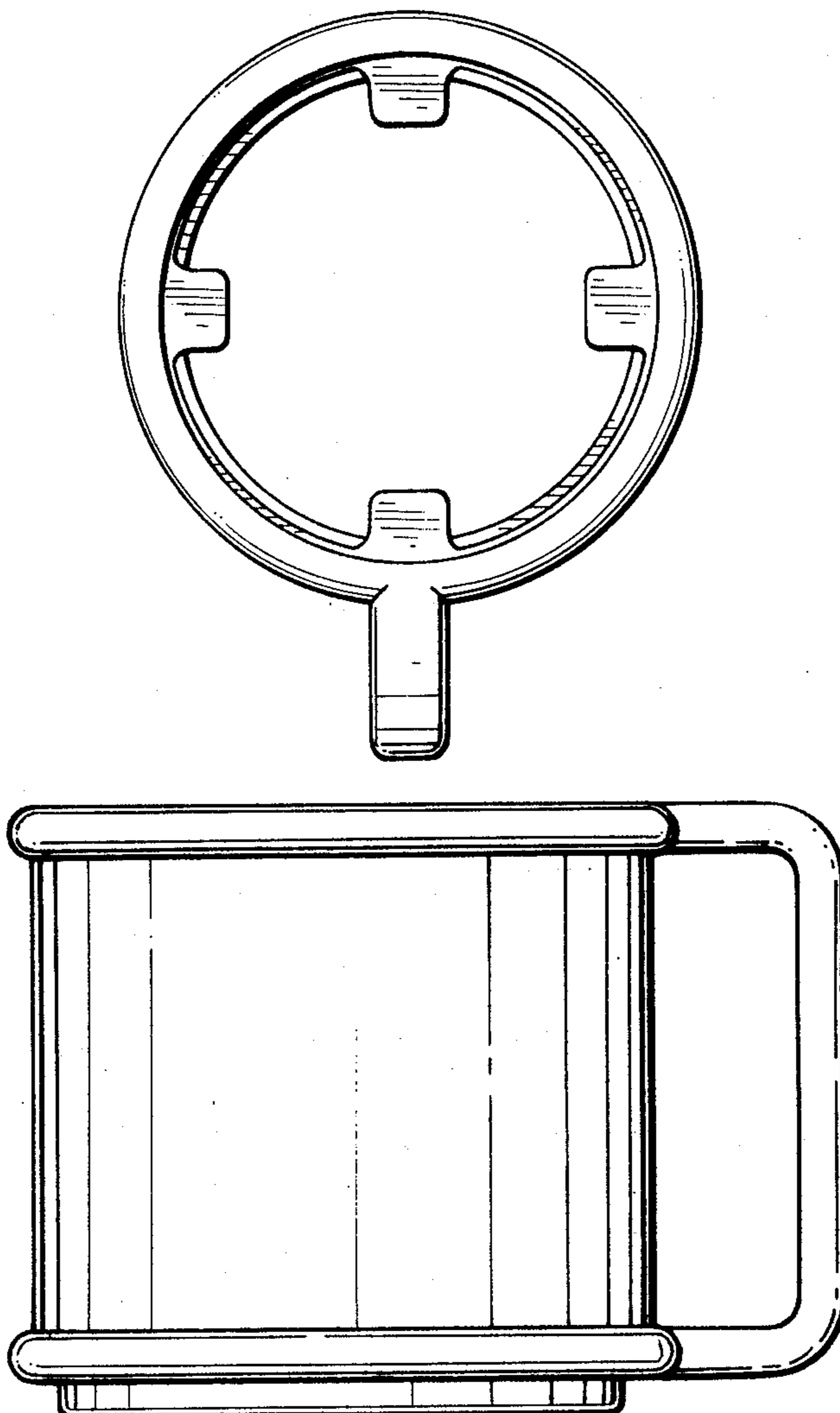
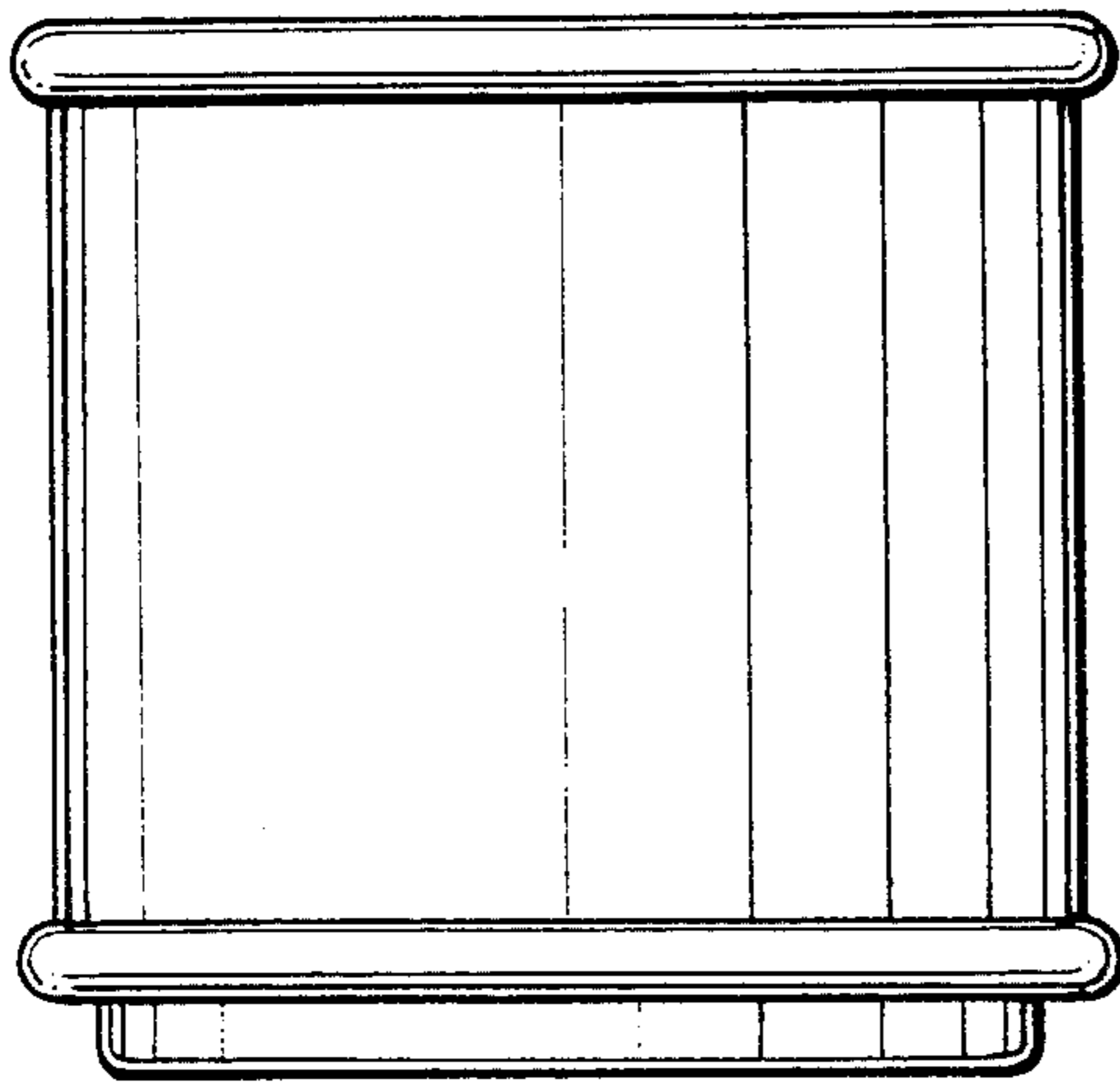


FIG. 1.



6 → FIG. 2.

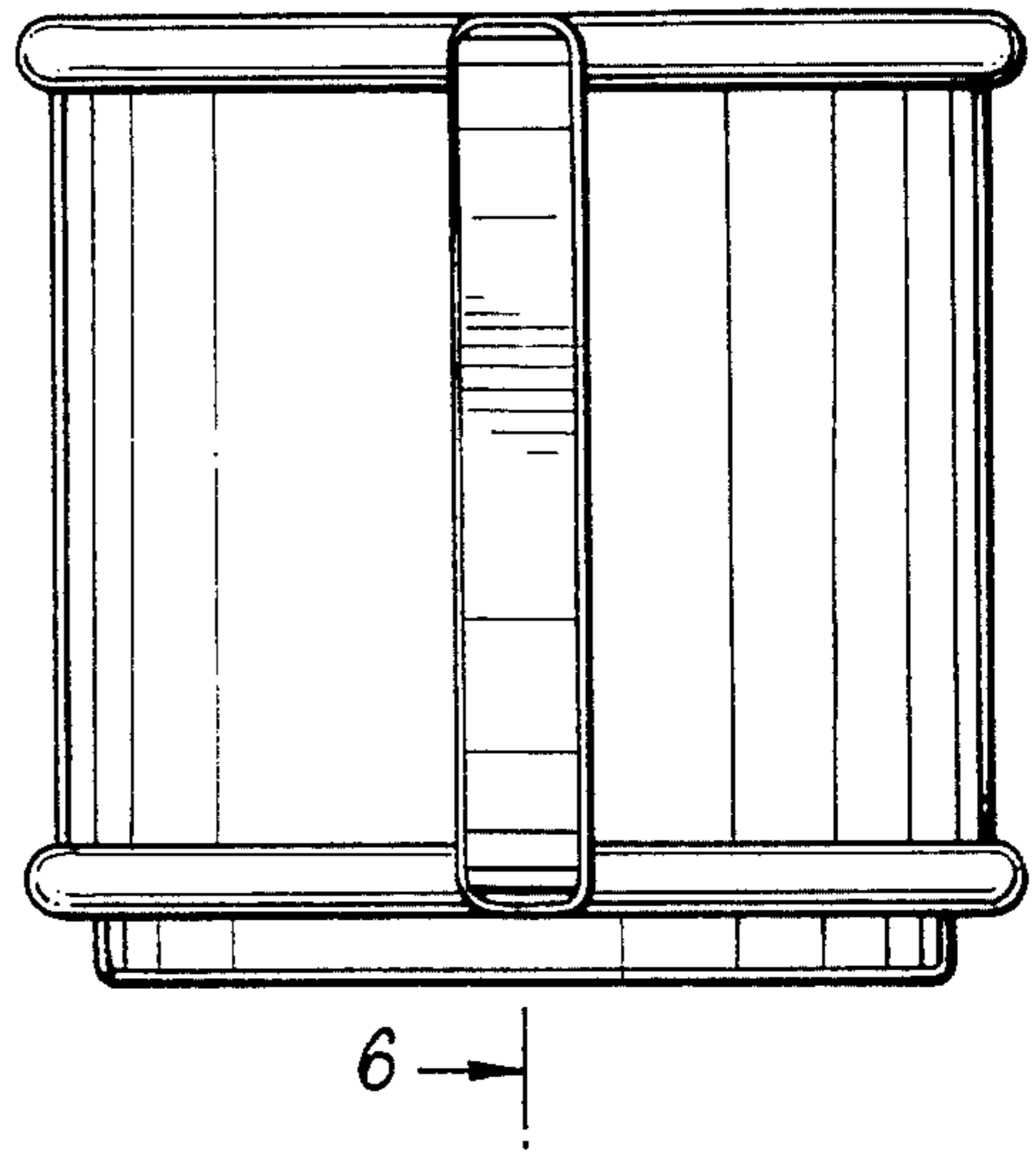


FIG. 3.

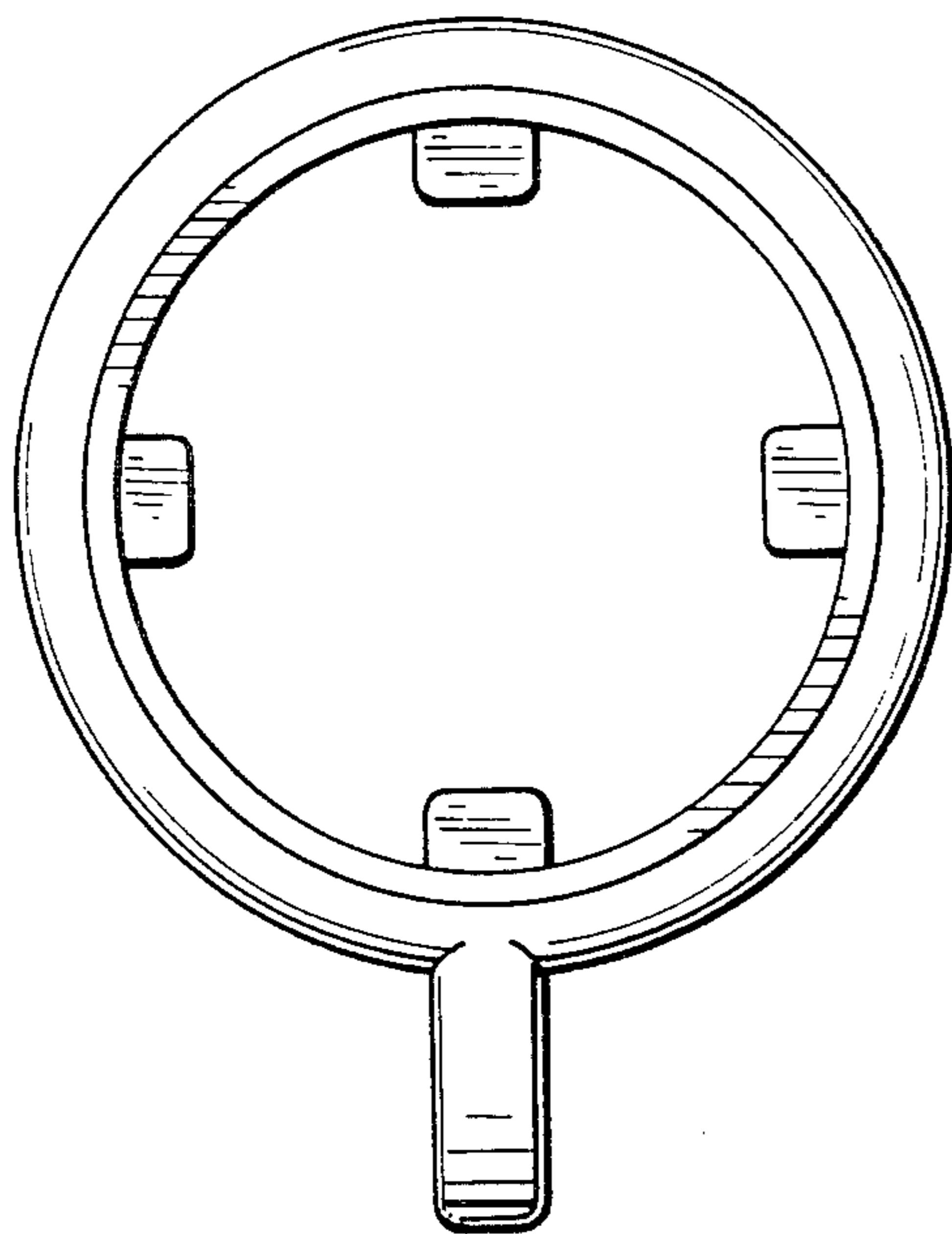


FIG. 4.

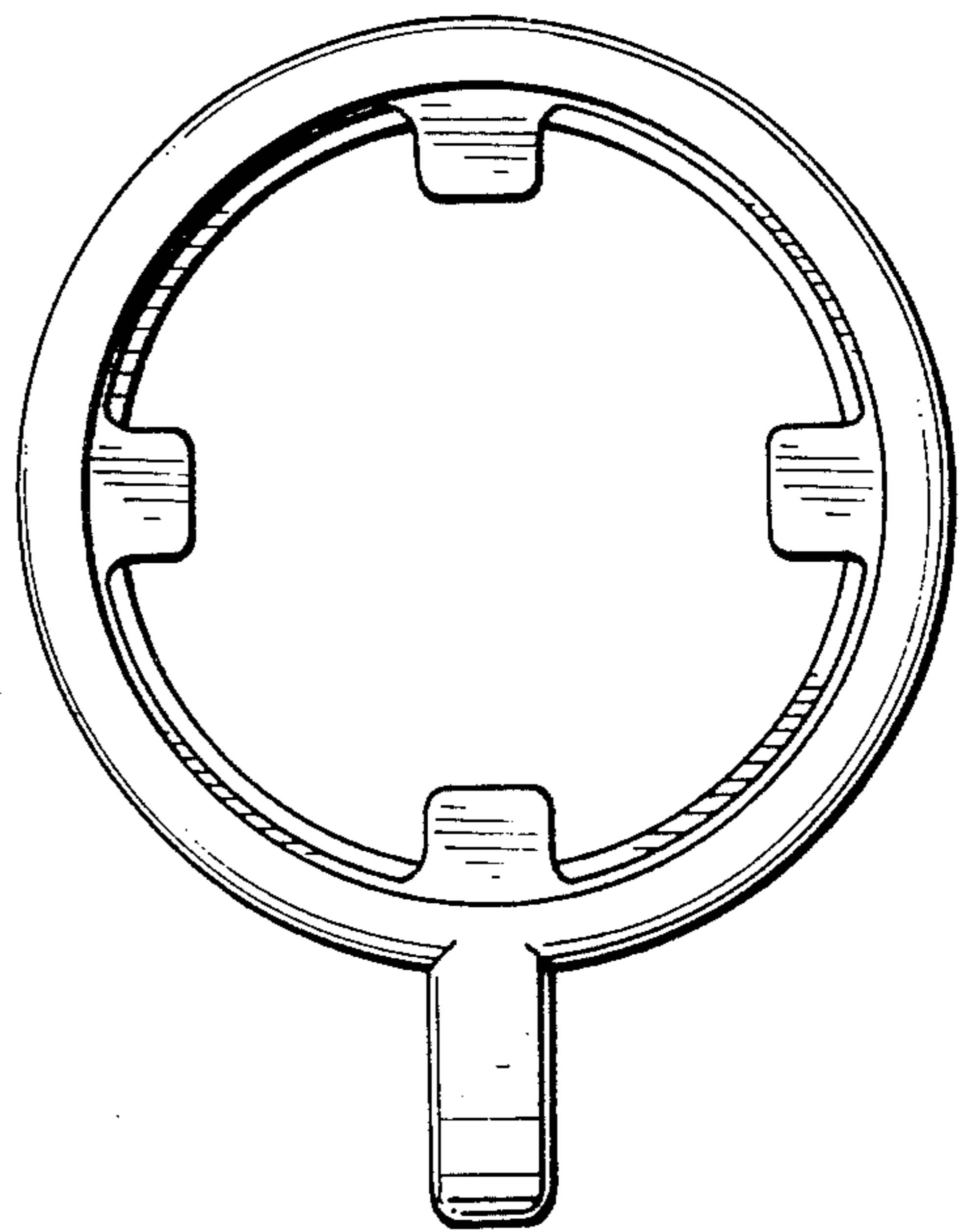


FIG. 5.

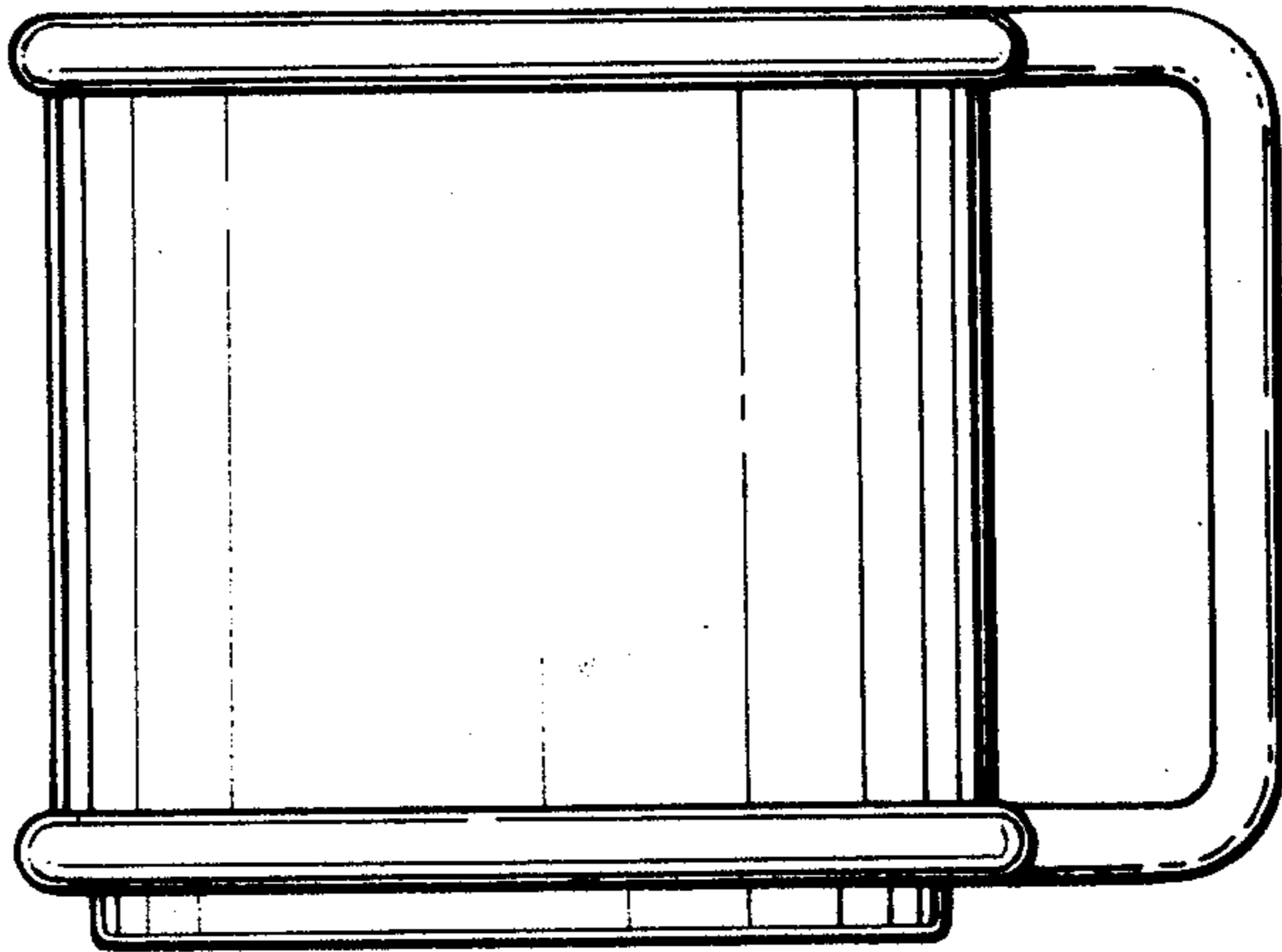


FIG. 6.

