

[54] DOUGH CUTTER OR THE LIKE

[76] Inventor: Dalminder S. Virk, 3147 Smugglers Hill Dr., Nanaimo B.C., Canada, V9T-1H7

[**] Term: 14 Years

[21] Appl. No.: 634,648

[22] Filed: Jul. 26, 1984

[30] Foreign Application Priority Data

Jan. 23, 1984 [CA] Canada 23-01-84-4
[52] U.S. Cl. D7/43
[58] Field of Search D7/43; 30/301-303, 30/305, 316; 83/691; 99/450.2

[56] References Cited

U.S. PATENT DOCUMENTS

D. 282,431	2/1986	Stricker	D7/43
337,329	3/1886	Hewett	D7/43 X
917,497	4/1909	Shapleigh	30/301 X
1,581,310	4/1926	Fetschan	D7/43 X
2,502,157	3/1950	Klejna	30/303

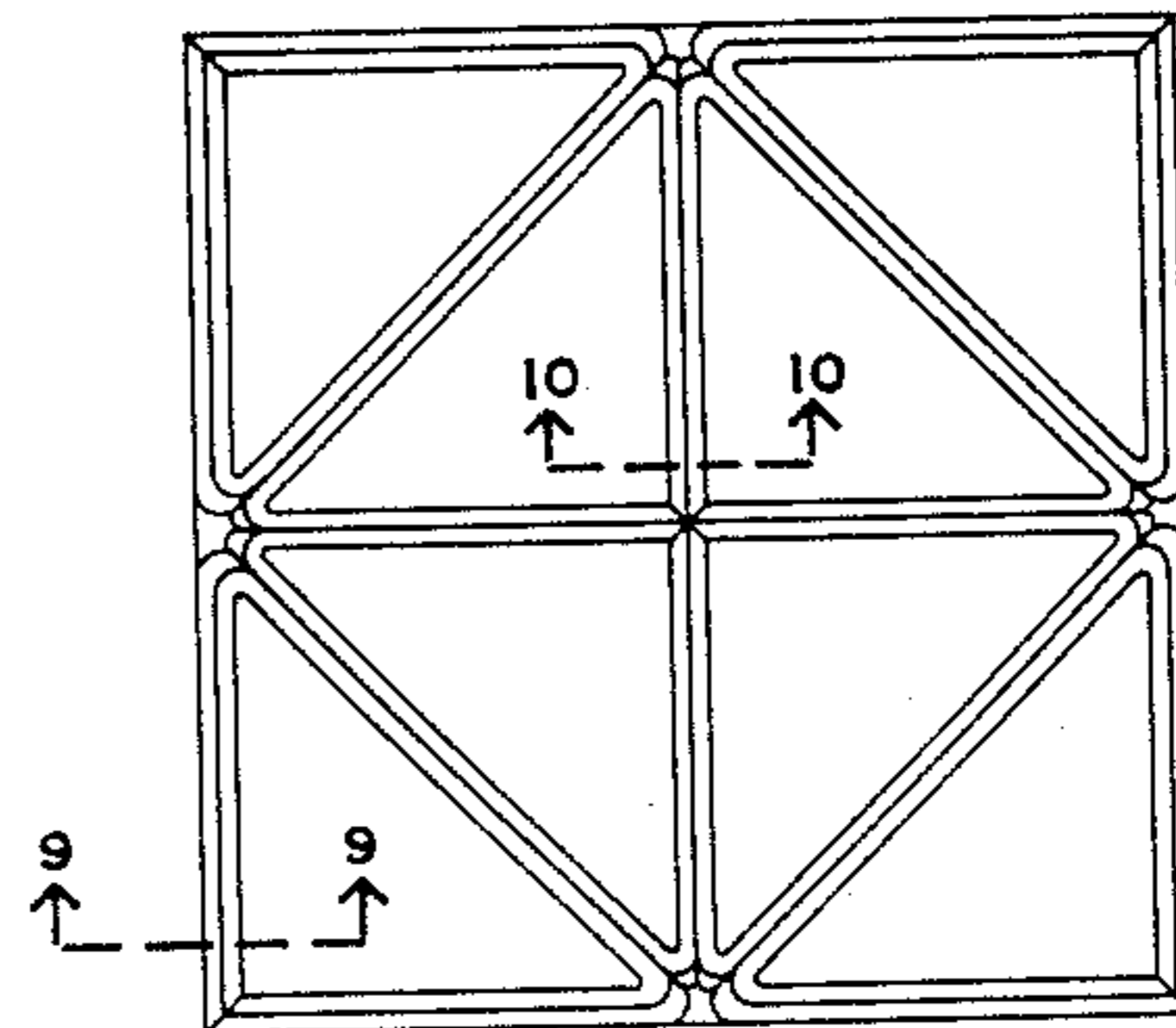
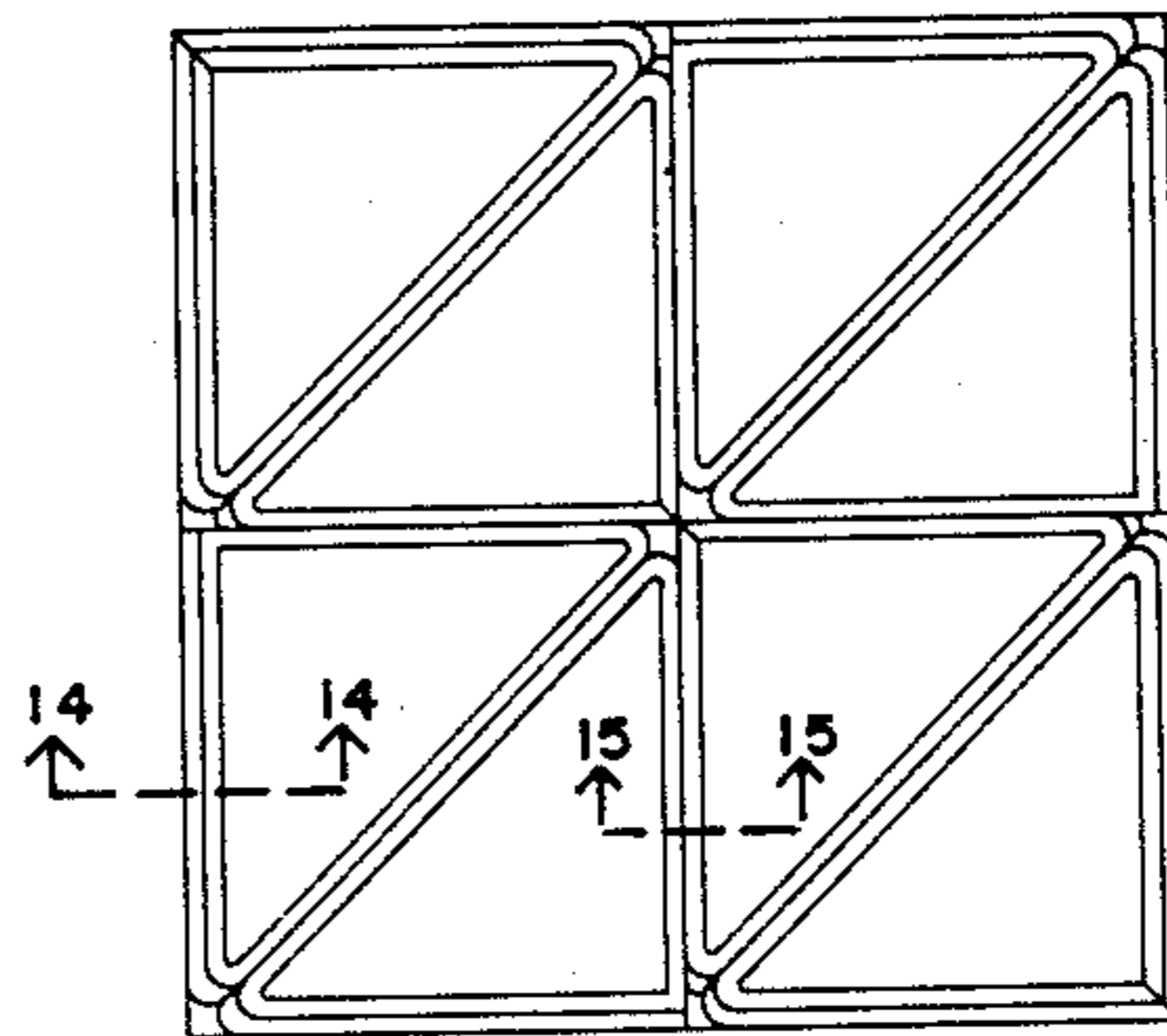
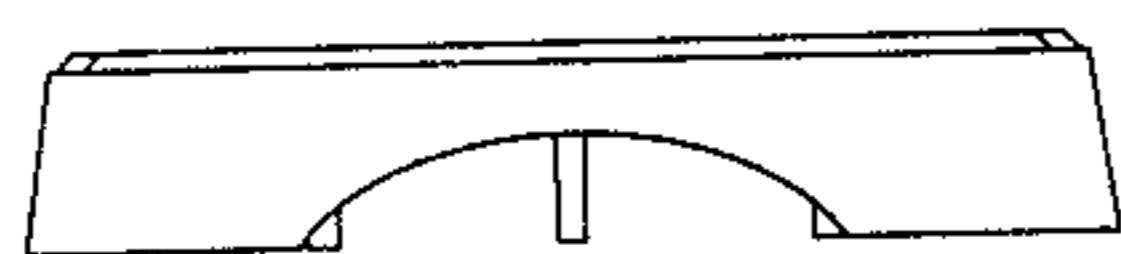
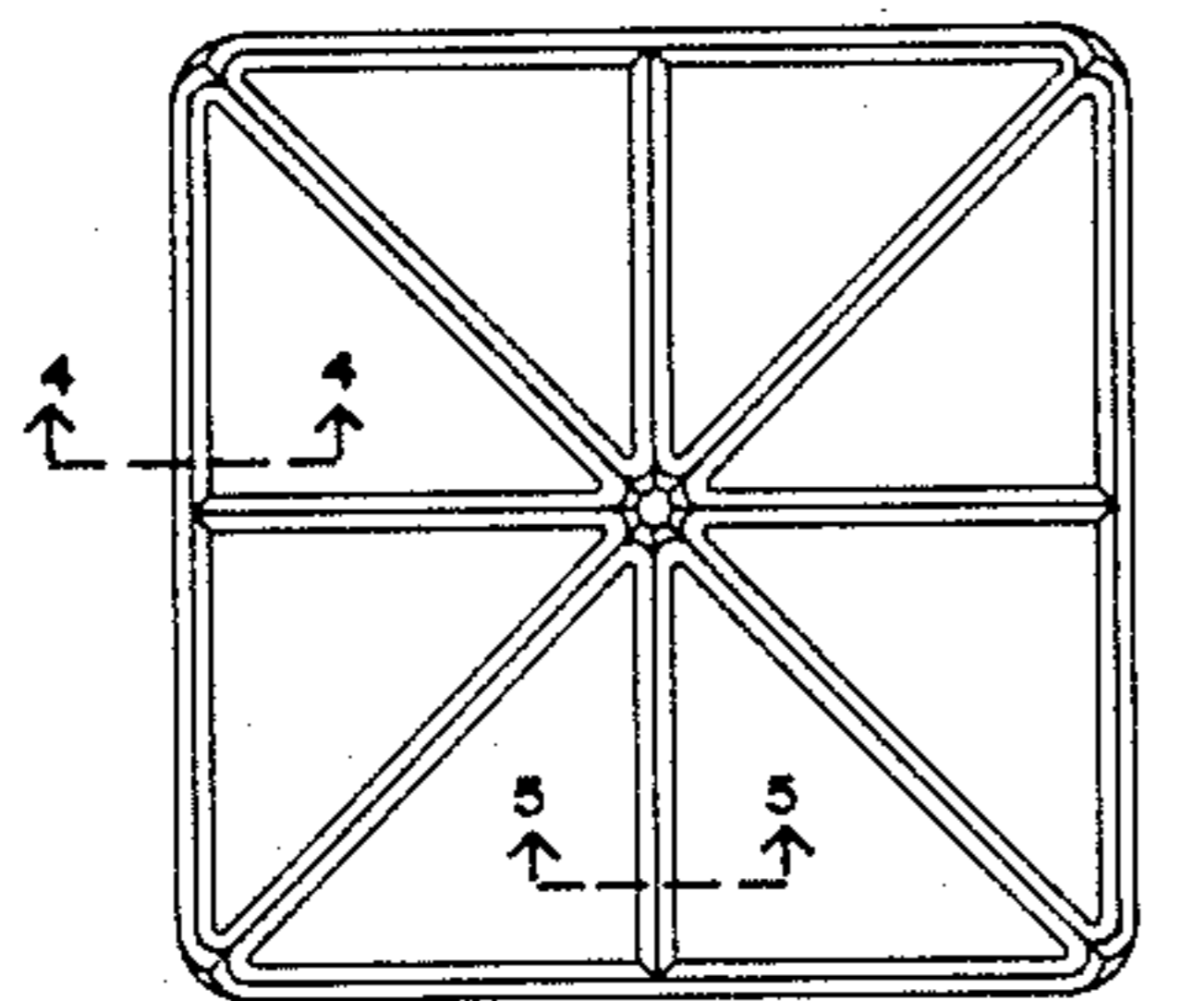
Primary Examiner—Bernard Ansher
Assistant Examiner—Terry Pfeffer

[57] CLAIM

The ornamental design for dough cutter or the like, as shown and described.

DESCRIPTION

FIG. 1 is a top plan view of the dough cutter or the like showing my new design;
FIG. 2 is a bottom plan view thereof;
FIG. 3 is a frontal elevational view thereof, all other three sides being a mirror image;
FIG. 4 is a cross-sectional view taken along line 4—4 of FIG. 1;
FIG. 5 is a cross-sectional view taken along line 5—5 of FIG. 1;
FIG. 6 is a top plan view of a second embodiment of that shown in FIG. 1;
FIG. 7 is a bottom plan view thereof;
FIG. 8 is a front elevational view thereof, all other three sides being a mirror image;
FIG. 9 is a cross-sectional view taken along line 9—9 of FIG. 6;
FIG. 10 is a cross-sectional view taken along line 10—10 of FIG. 6;
FIG. 11 is a top plan view of a third embodiment of that shown in FIG. 1;
FIG. 12 is a bottom plan view thereof;
FIG. 13 is a front elevational view thereof, all other three sides being a mirror image;
FIG. 14 is a cross-sectional view taken along line 14—14 of FIG. 11;
FIG. 15 is a cross-sectional view taken along line 15—15 of FIG. 11.



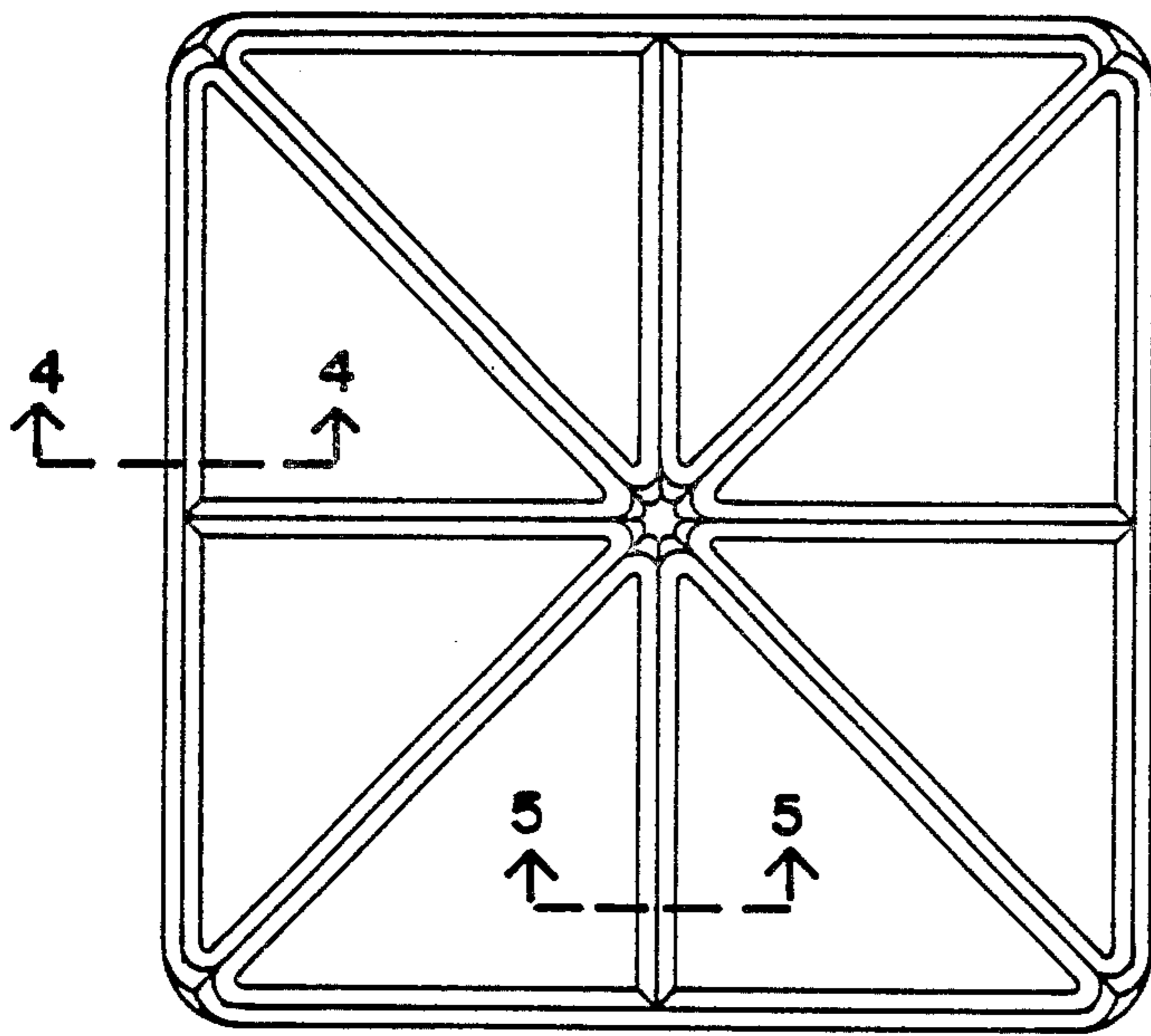


FIG. 1

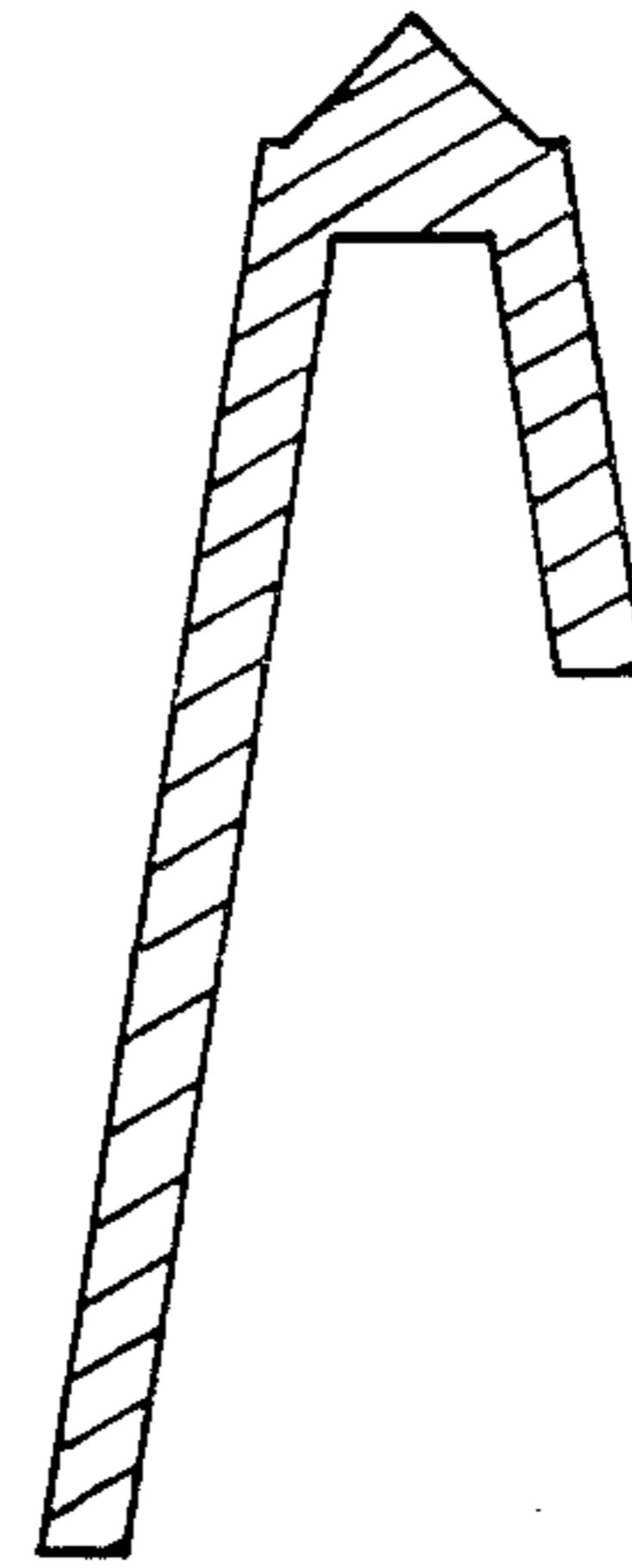


FIG. 4

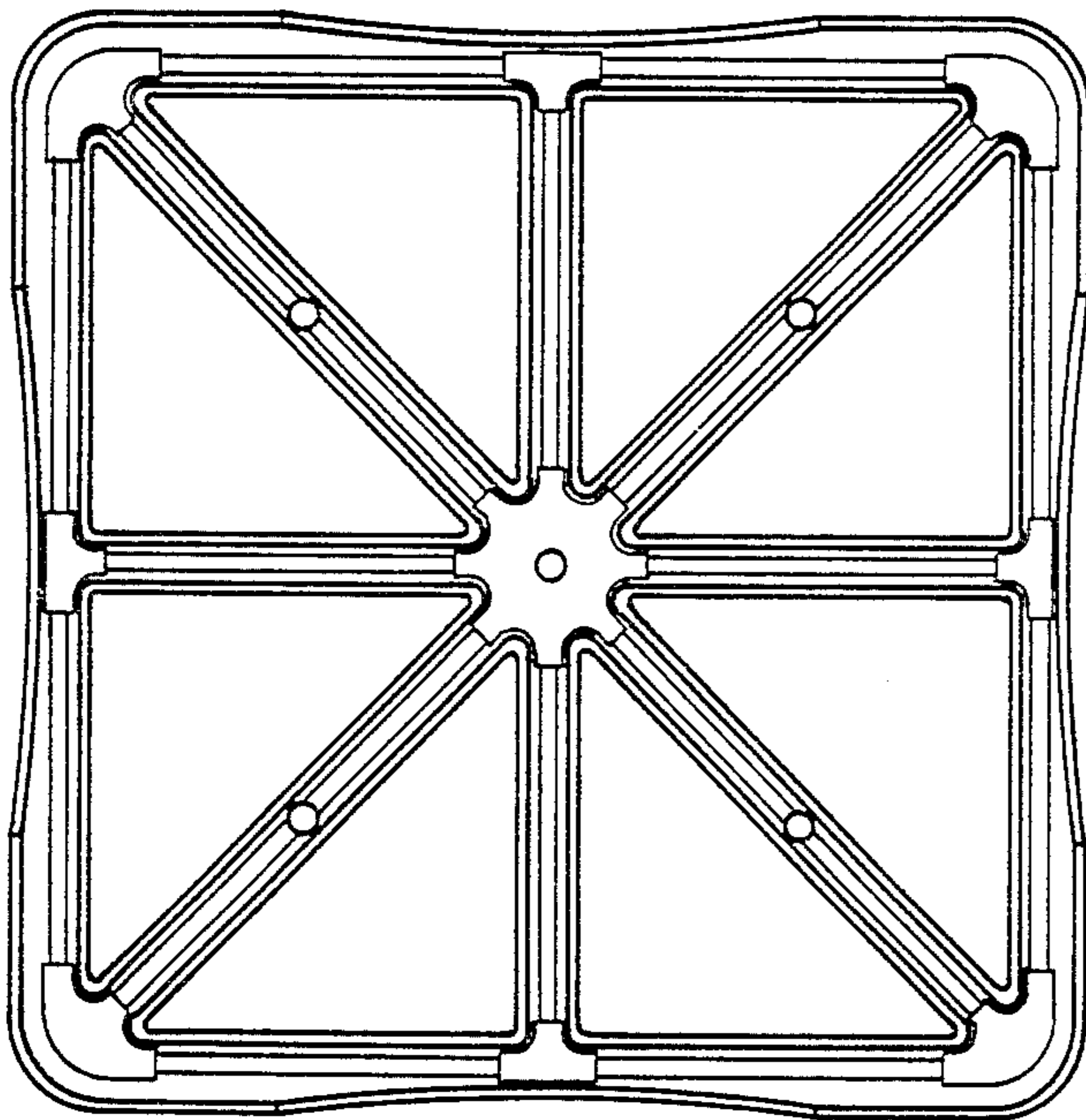


FIG. 2

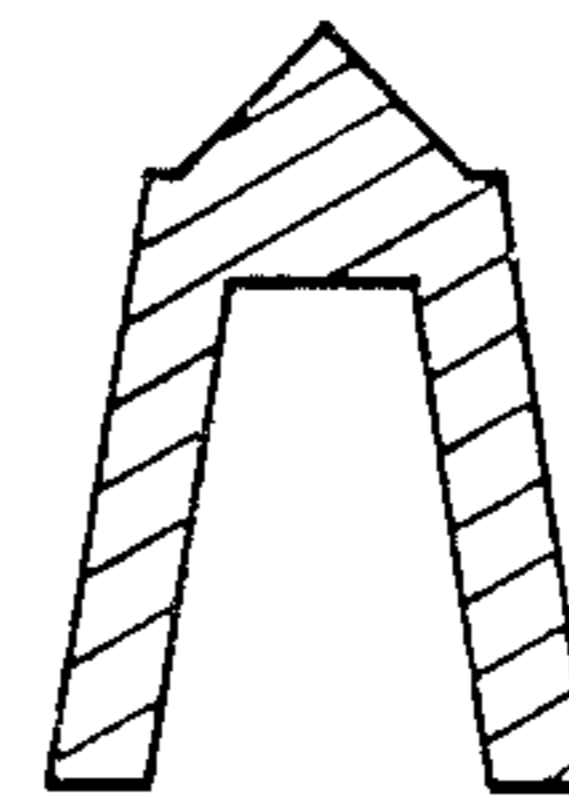


FIG. 5

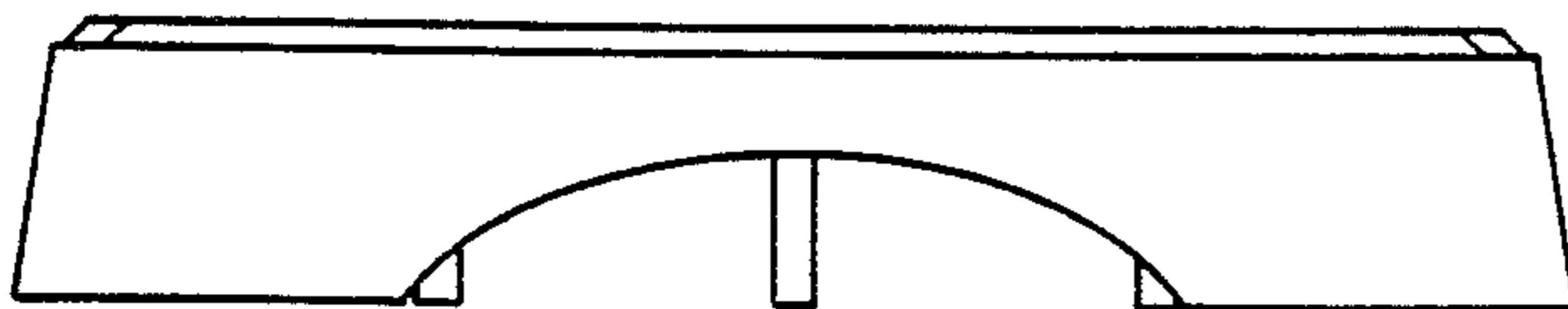


FIG. 3

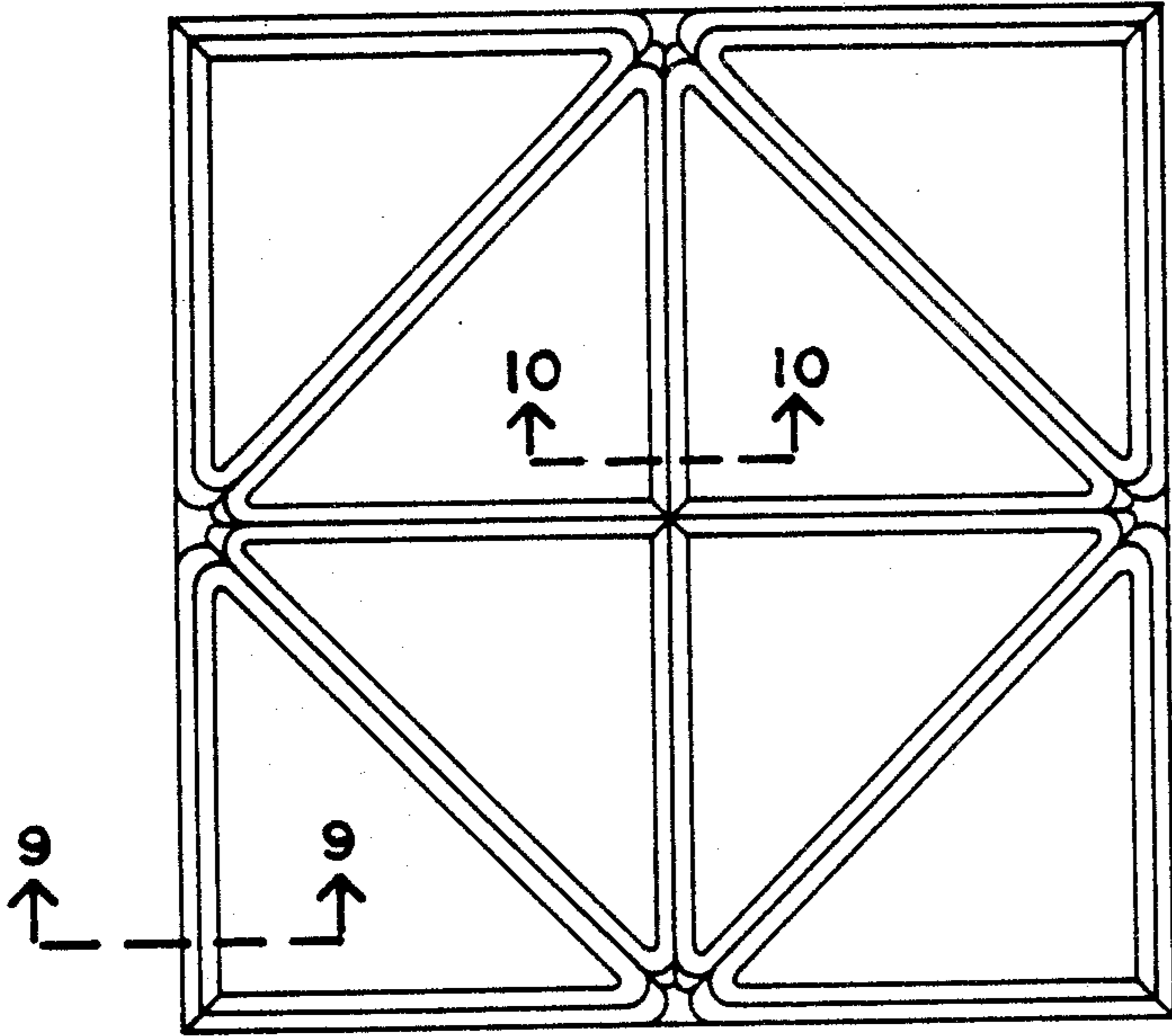


FIG. 6

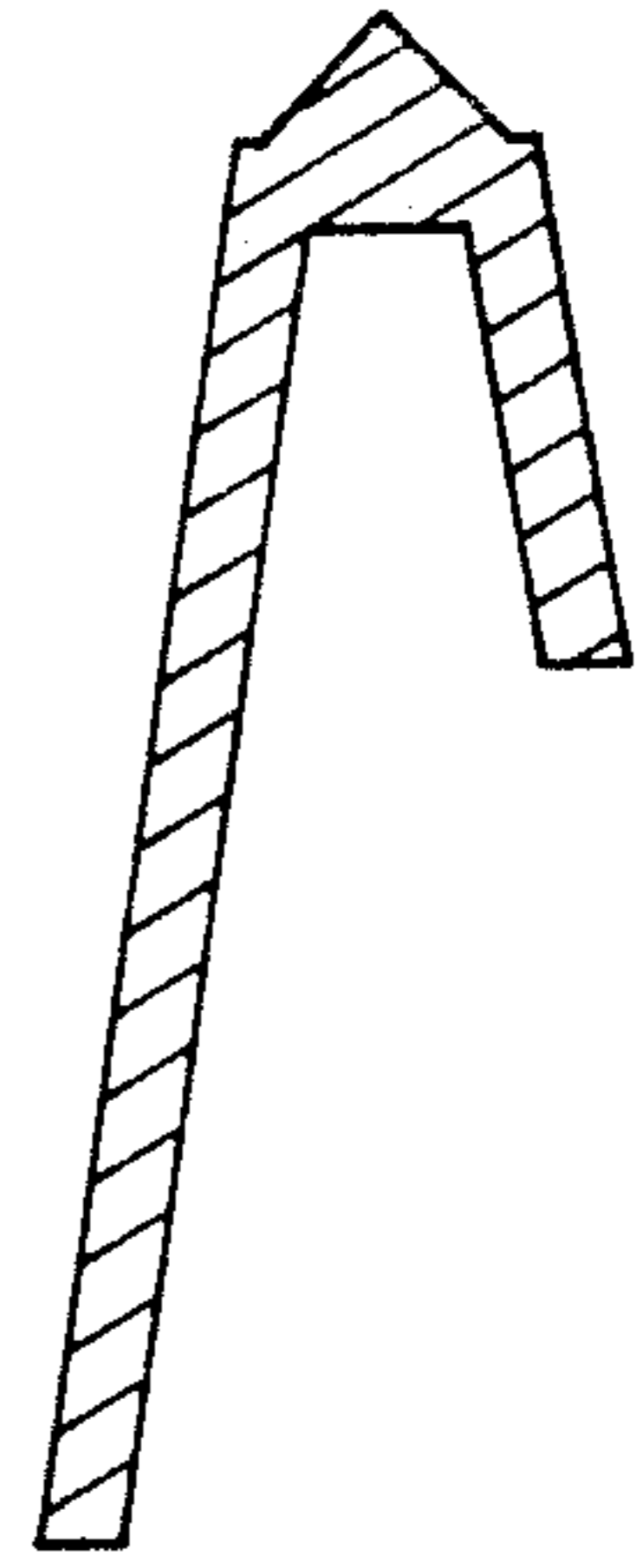


FIG. 9

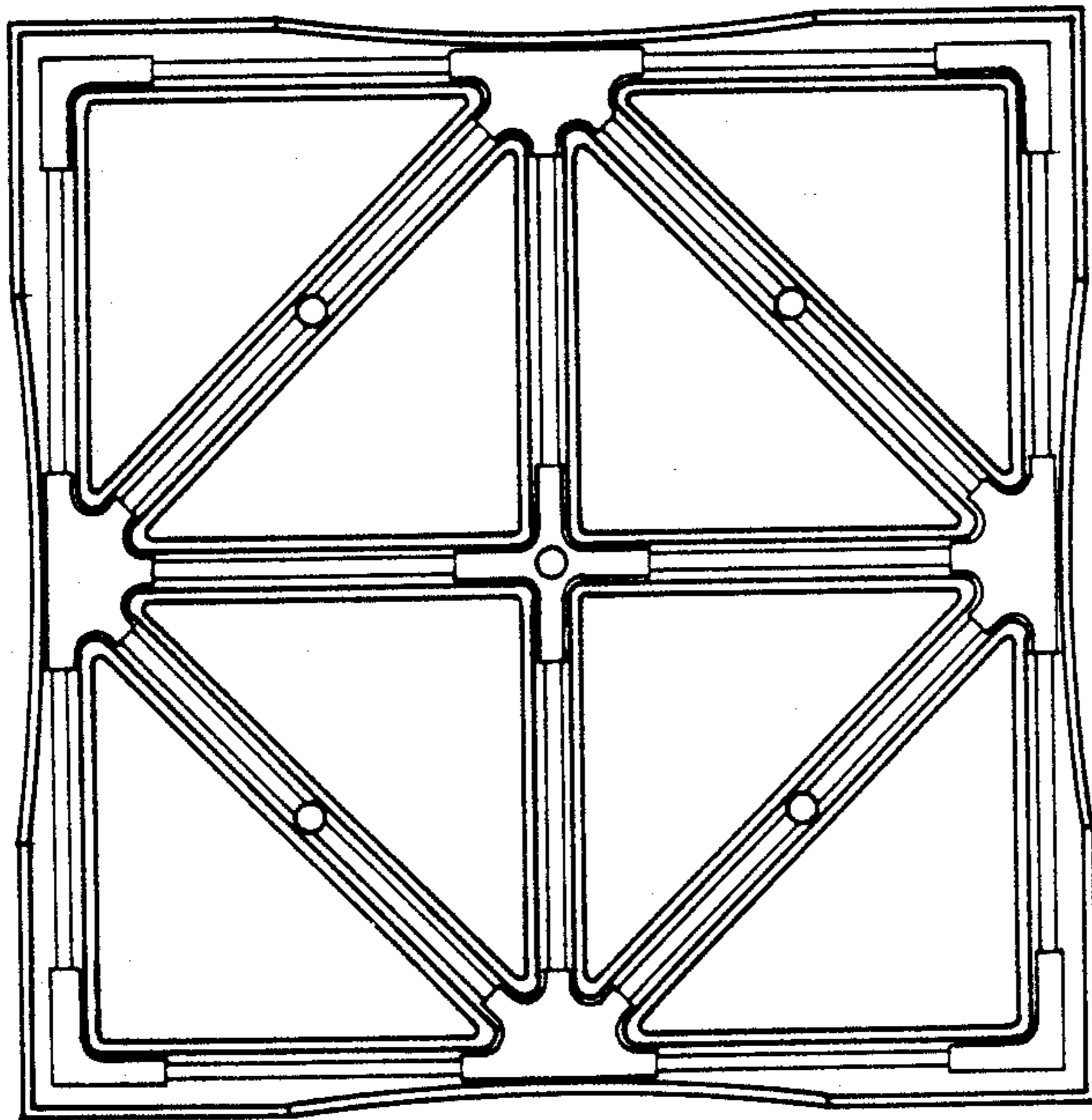


FIG. 7

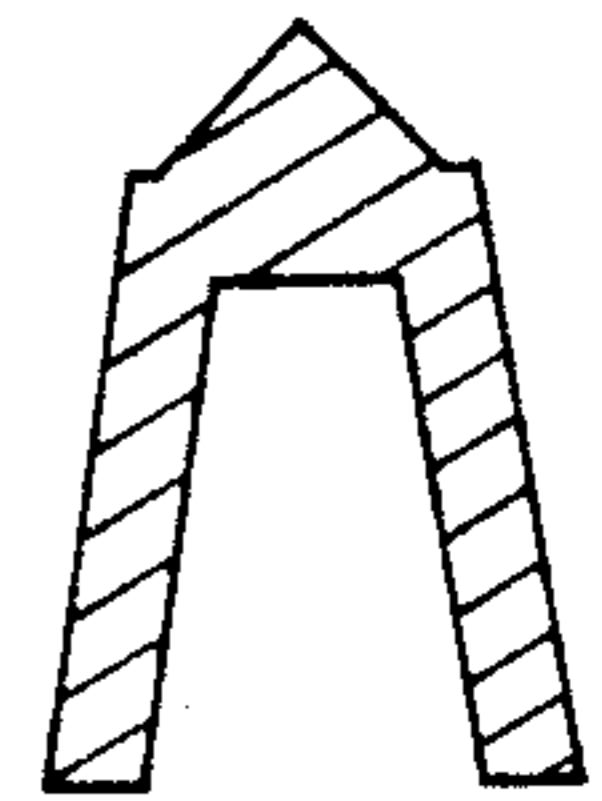


FIG. 10

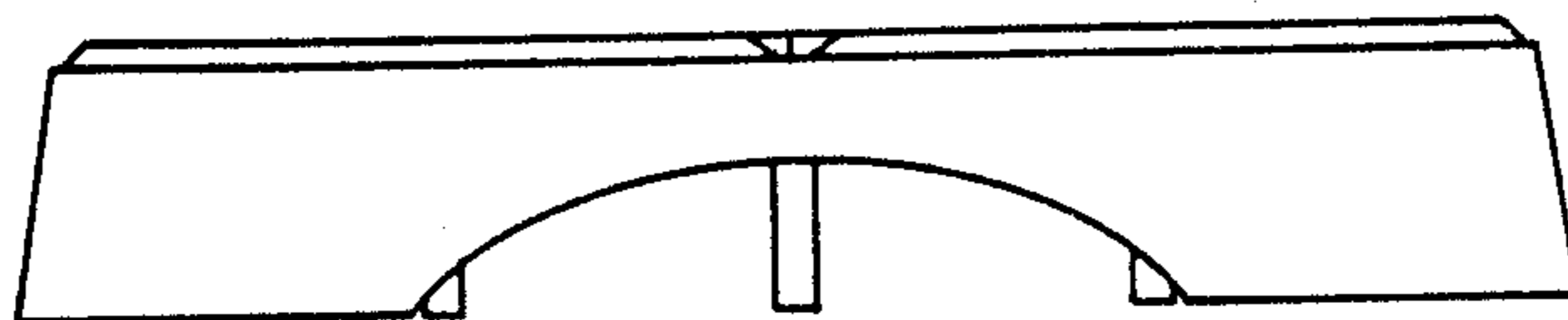


FIG. 8

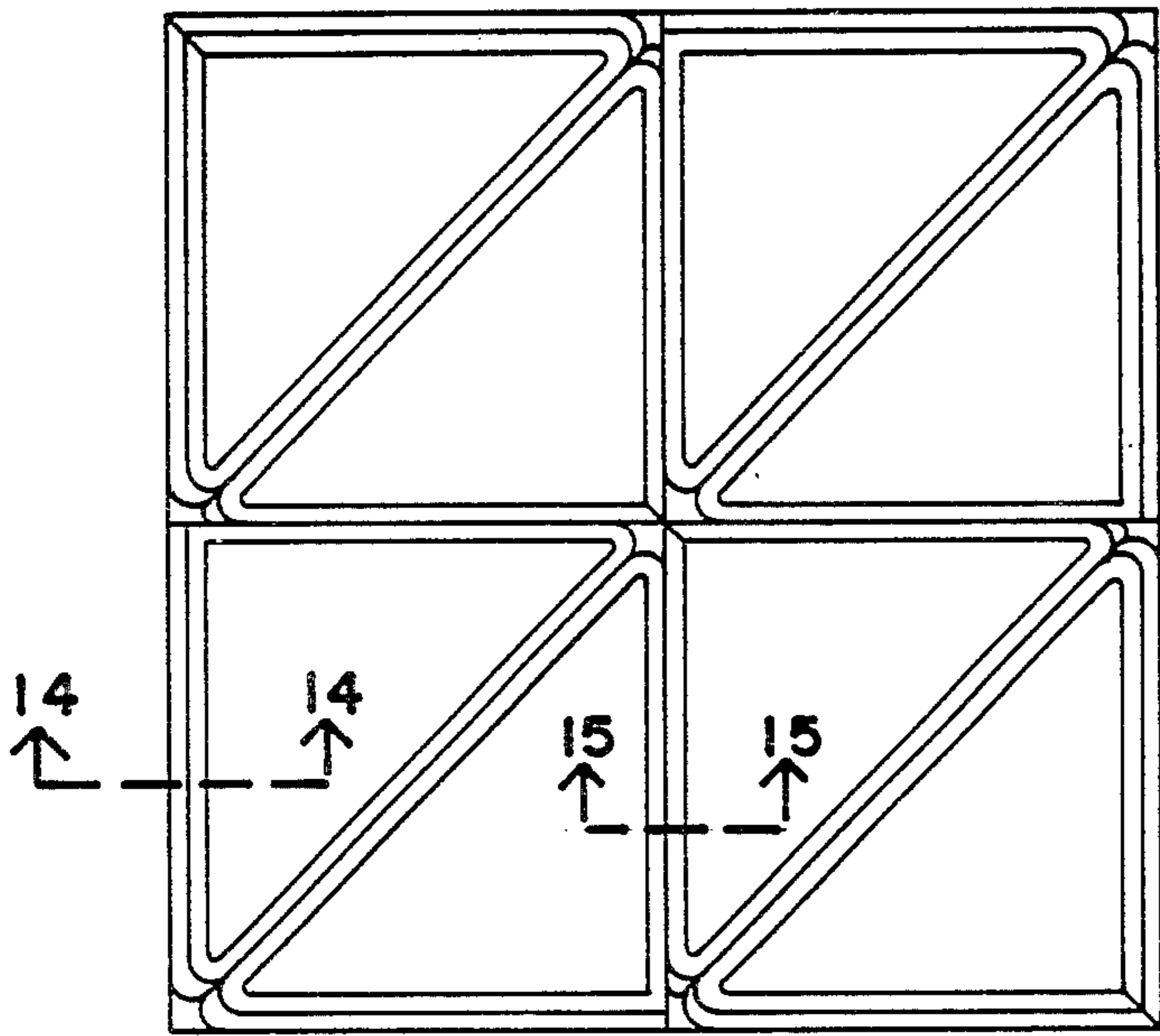


FIG. 11

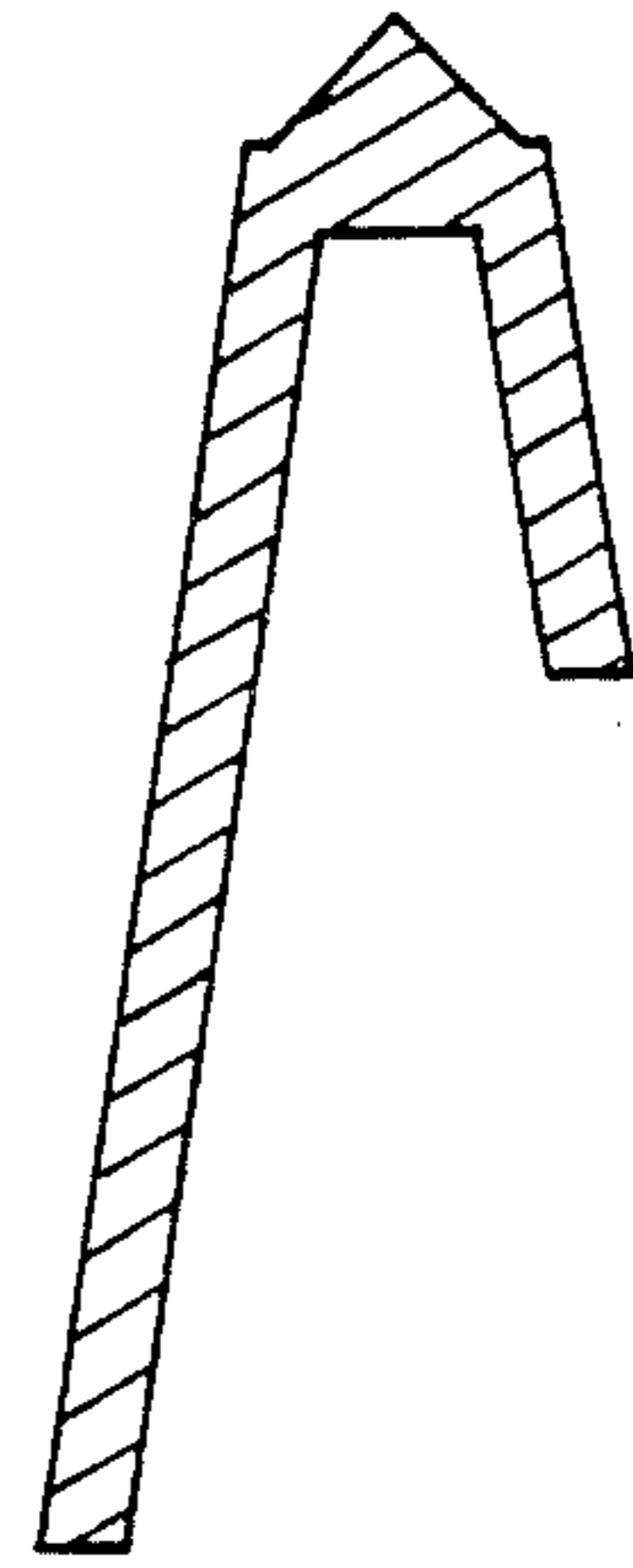


FIG. 14

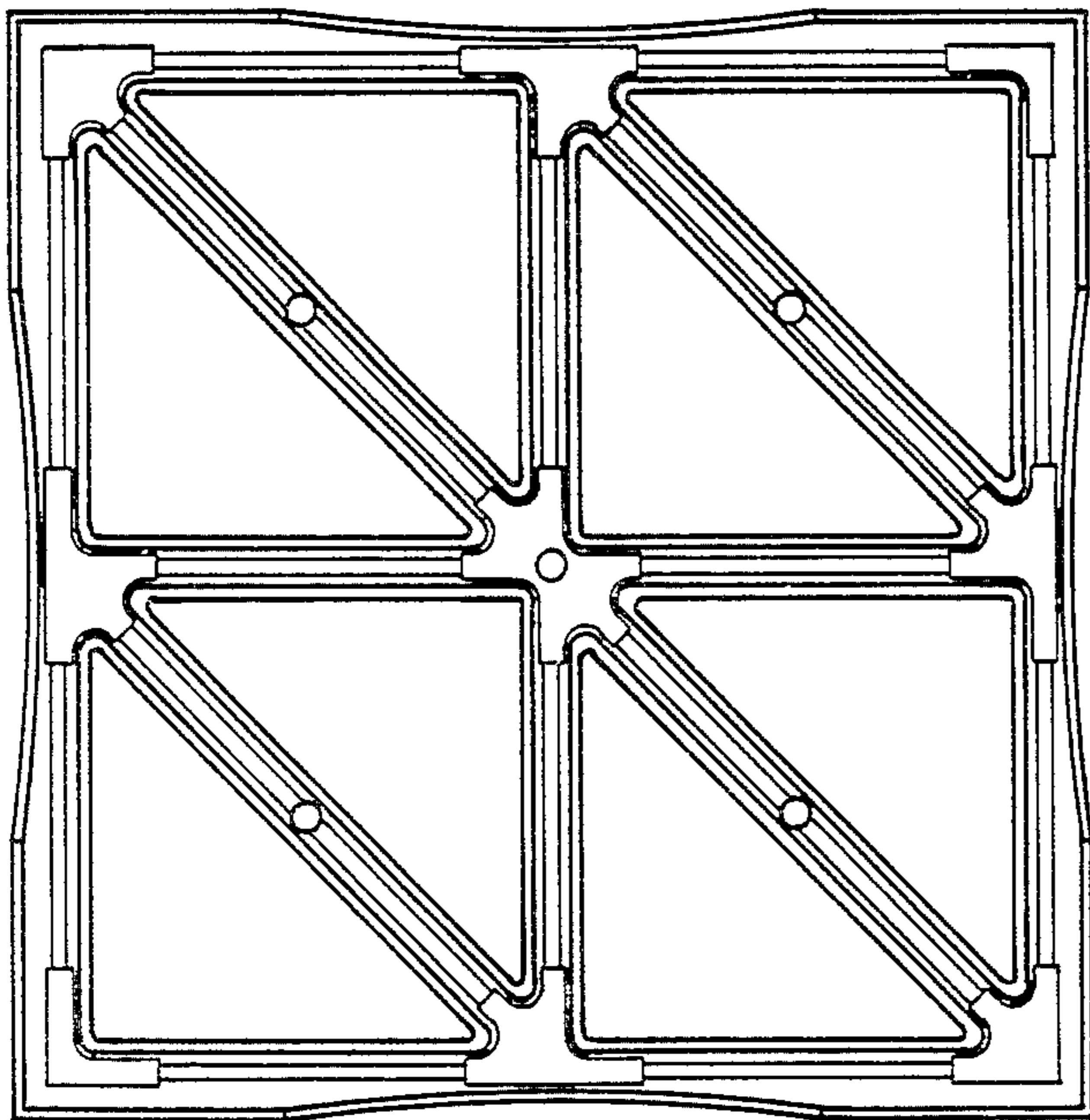


FIG. 12

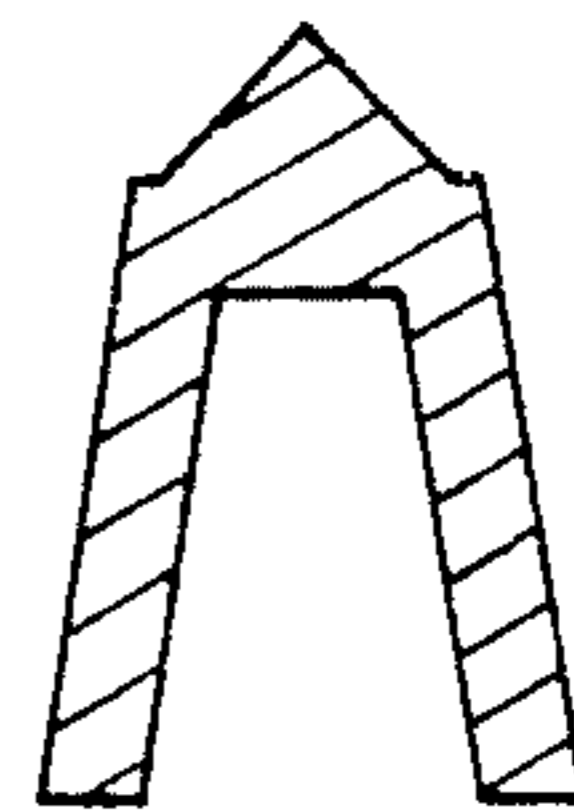


FIG. 15

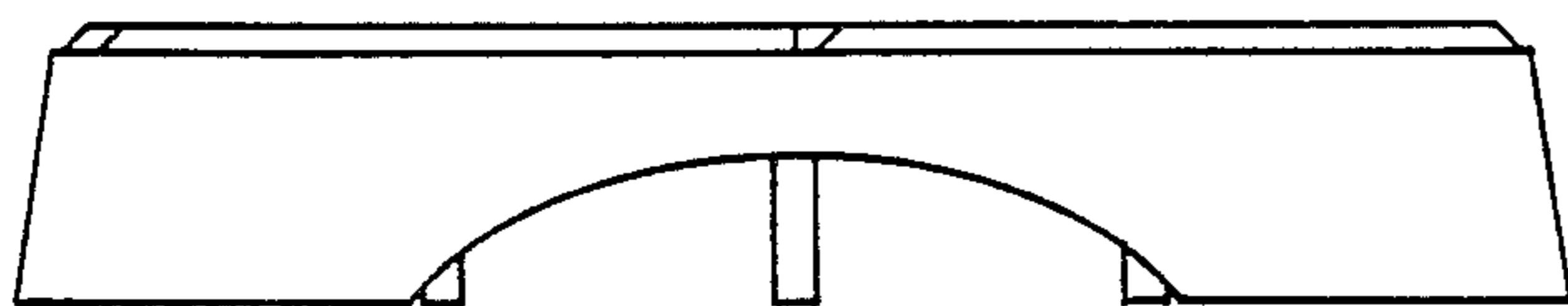


FIG. 13