

[54] WALL RACK FOR HANGING SHEETS OR THE LIKE

[75] Inventor: Victor R. Spicer, Auckland, New Zealand

[73] Assignee: Planhorse International (NZ) Limited, Auckland, New Zealand

[\*\*] Term: 14 Years

[21] Appl. No.: 640,405

[22] Filed: Aug. 13, 1984

[30] Foreign Application Priority Data

Feb. 13, 1984 [NZ] New Zealand ..... 18919

[52] U.S. Cl. .... D6/567; D6/574

[58] Field of Search ..... D6/512, 553, 567, 572, D6/574; 211/90, 134, 153, 46, 87, 94, 162; 108/27, 30, 47, 102, 107, 144, 148, 149, 152

[56] References Cited

U.S. PATENT DOCUMENTS

3,437,214 4/1969 Sainbury ..... 211/90

3,865,336	2/1975	Robertson	.....	211/90
4,036,369	7/1977	Eisenburg	.....	211/90
4,155,312	5/1979	Thorkildson	.....	211/90
4,473,158	9/1984	Barber	.....	211/46

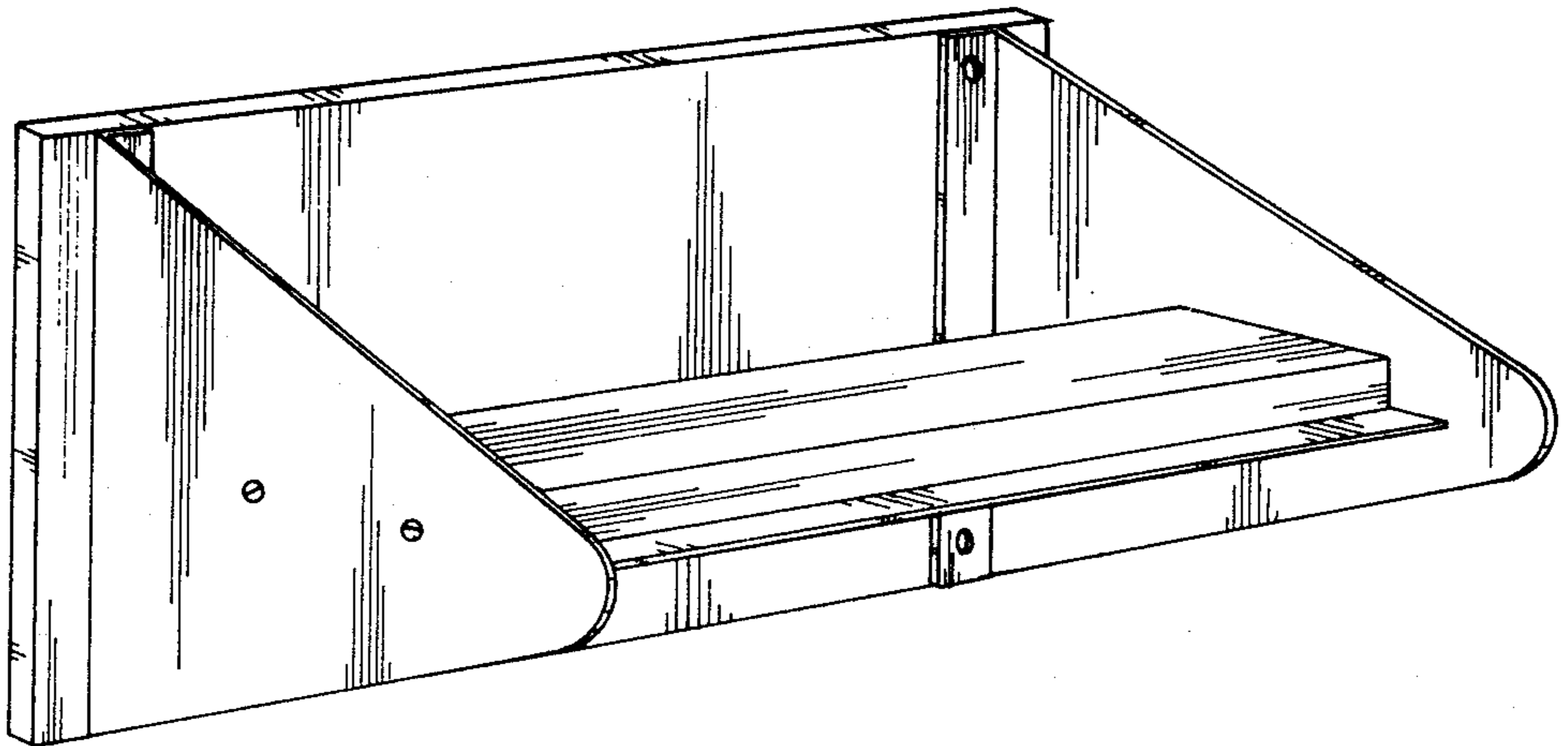
Primary Examiner—B. J. Bullock  
Attorney, Agent, or Firm—Holman & Stern

[57] CLAIM

The ornamental design for the wall rack for hanging sheets or the like, as shown and described.

DESCRIPTION

FIG. 1 is a perspective view of a wall rack for hanging sheets or the like showing my new design; FIG. 2 is a front elevational view thereof; FIG. 3 is a rear elevational view thereof; FIG. 4 is a bottom plan view thereof; FIG. 5 is a top plan view thereof; FIG. 6 is a side elevational view thereof taken from the left of FIG. 1, the other side elevational view being a mirror image of FIG. 6; and FIG. 7 is a bottom perspective view of the central hanger shown separately for clarity of illustration.



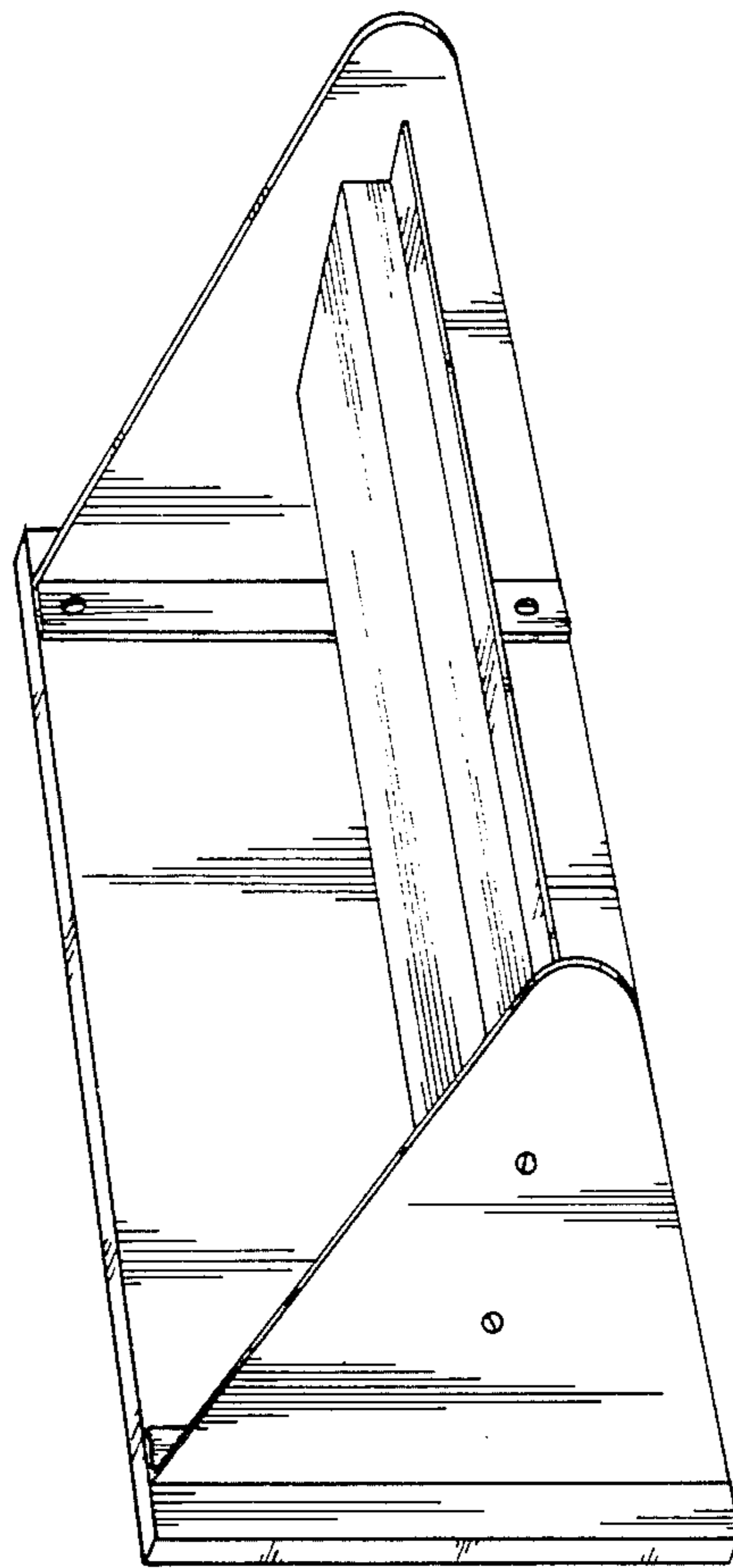


FIG. 1

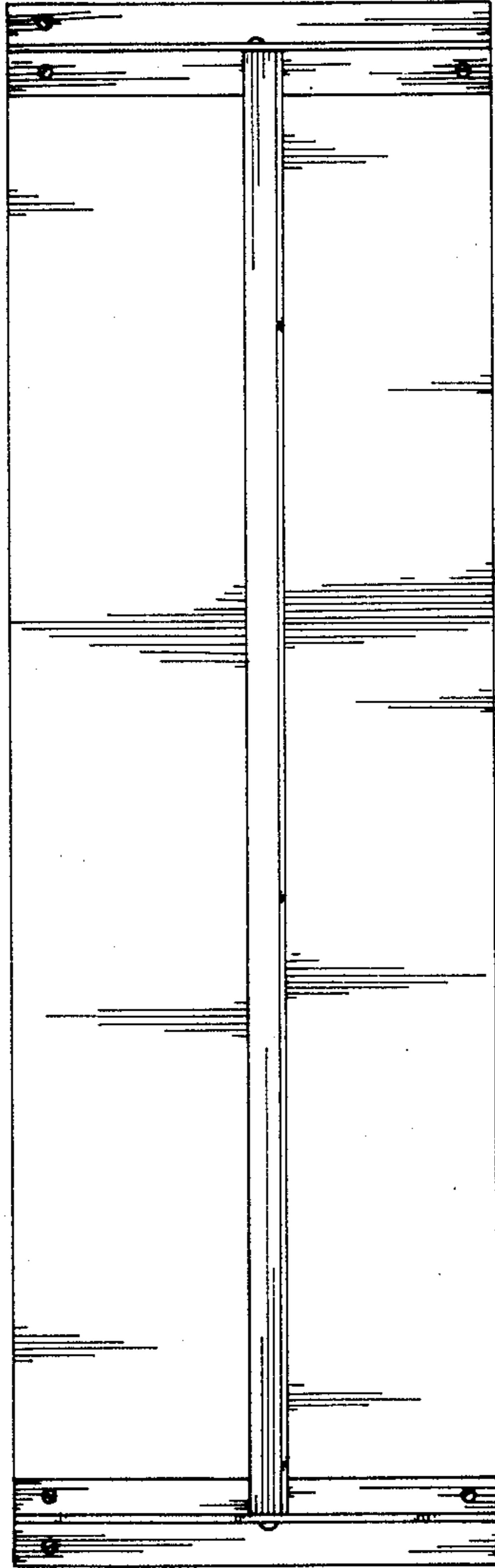


FIG. 2

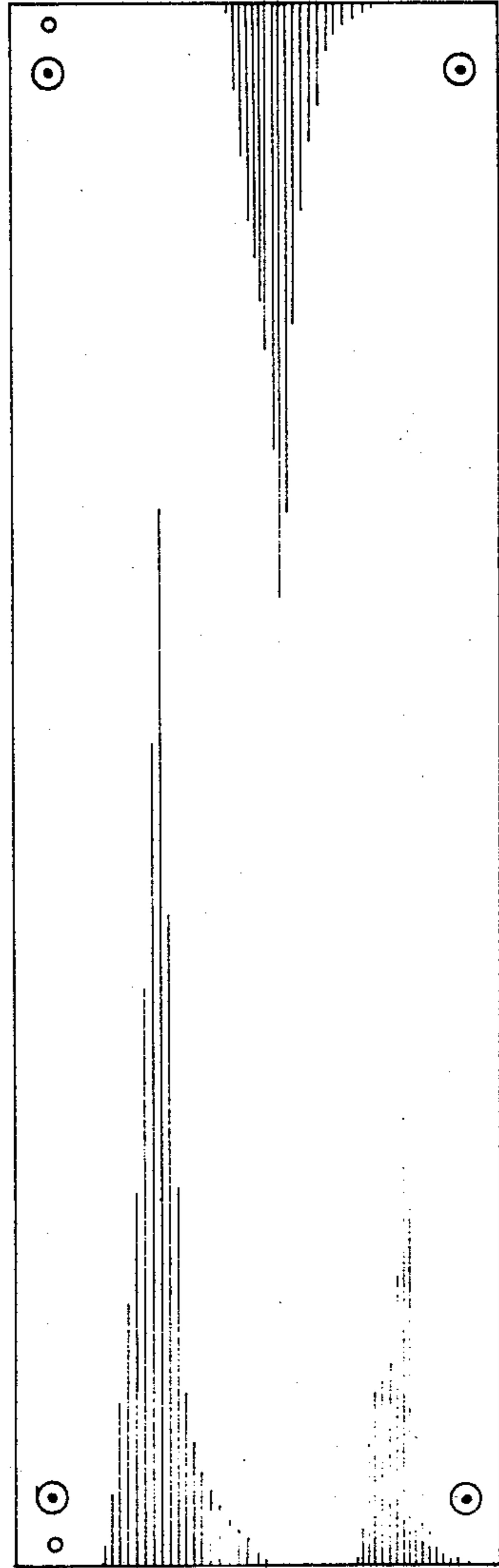


FIG. 3

FIG. 6

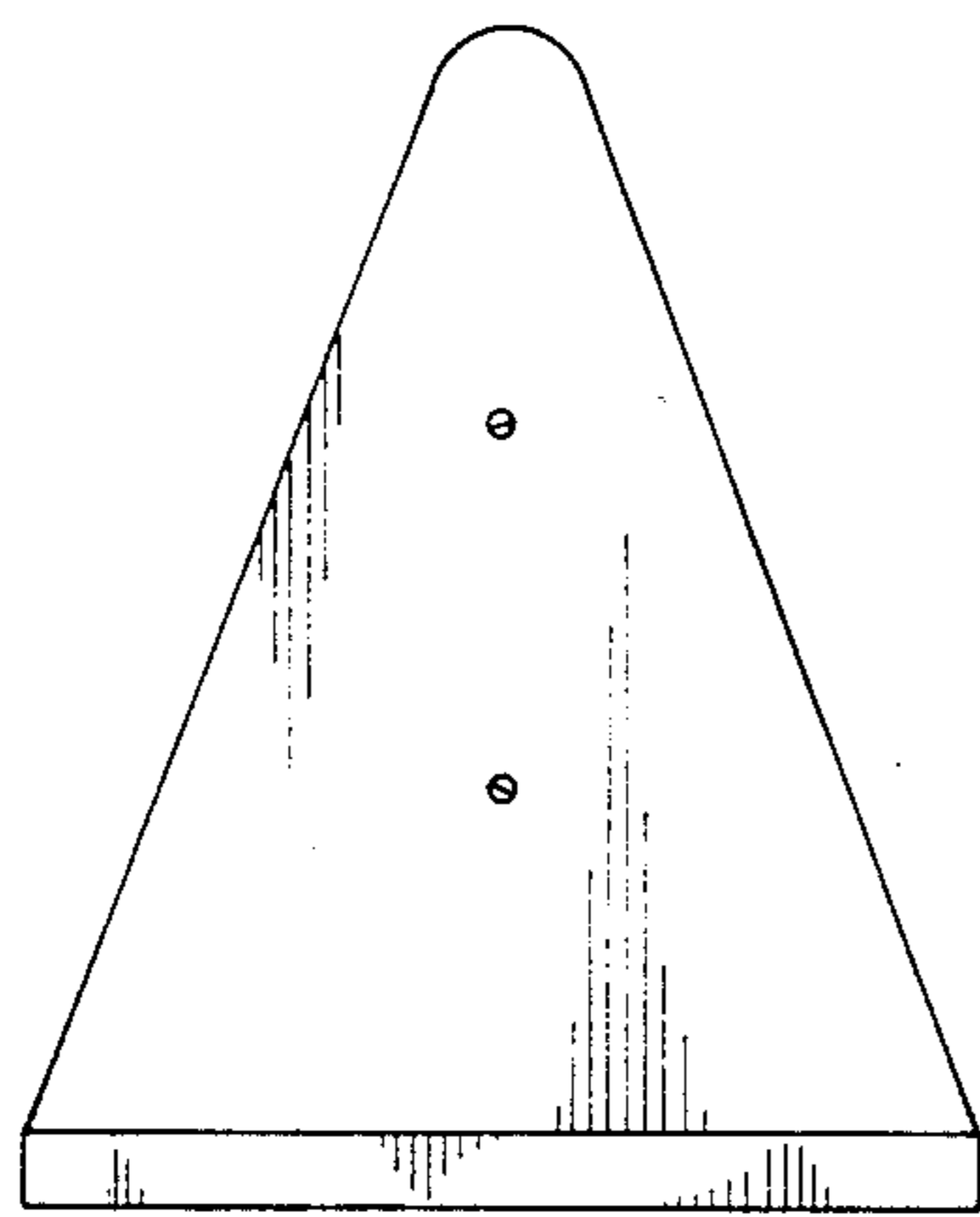
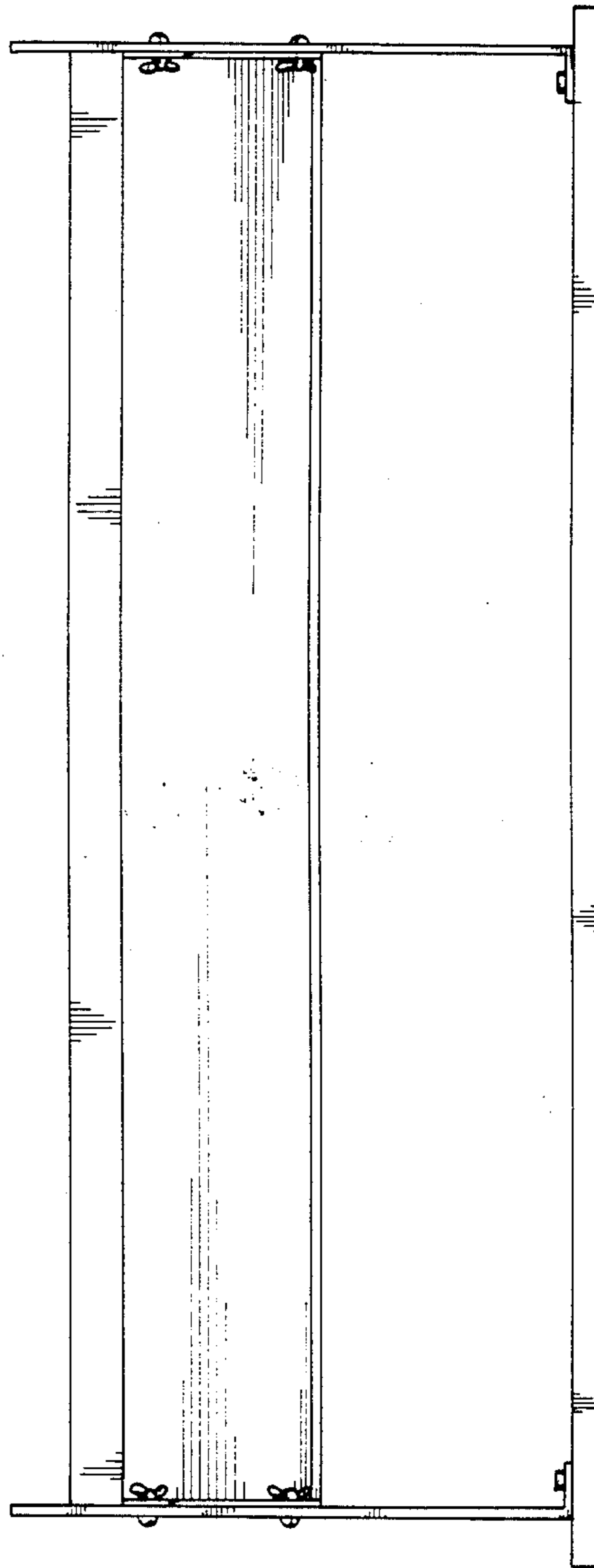


FIG. 4



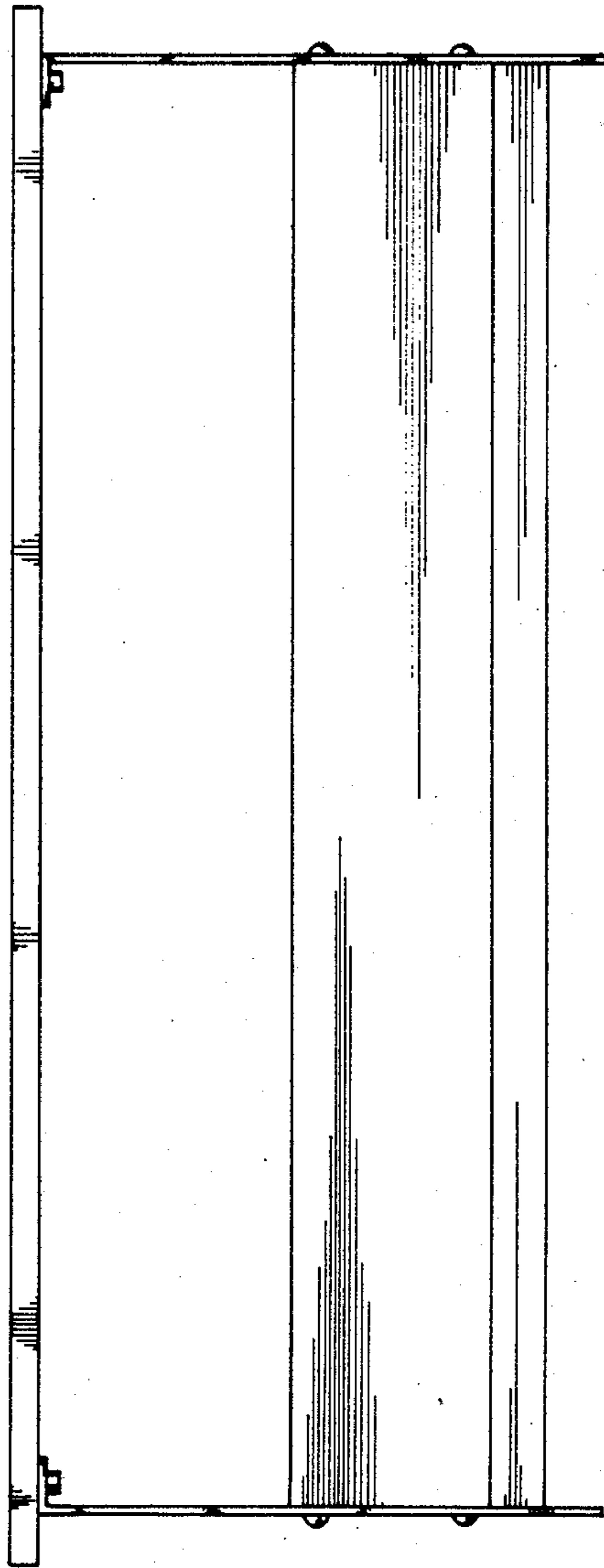


FIG. 5

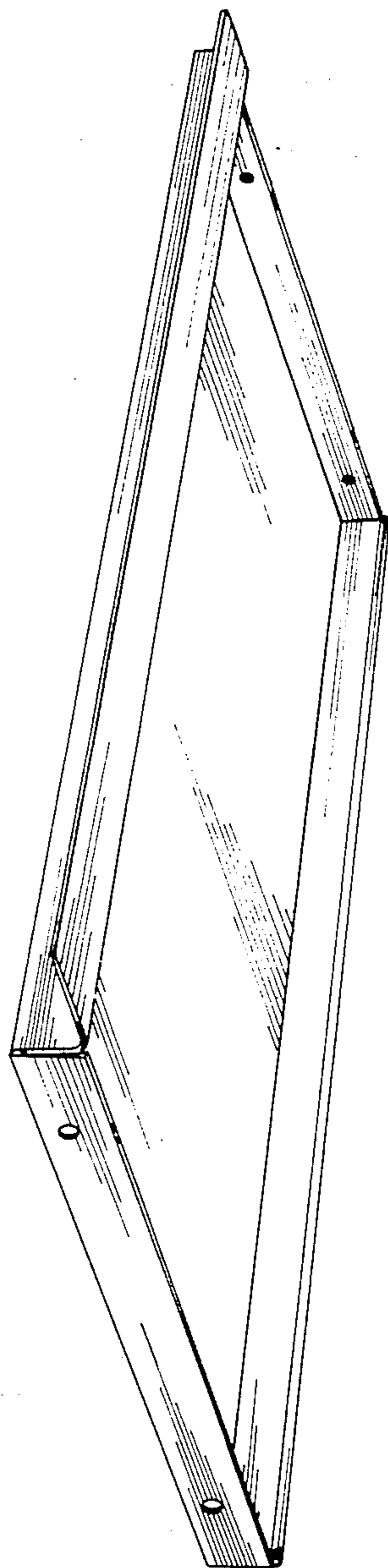


FIG. 7