

[54] SIDE WALL FOR A DISPENSER FOR CANS OR BOTTLES

[75] Inventors: Walter Nathan, Glencoe; Armand S. Zucker, Skokie, both of Ill.

[73] Assignee: RTC Industries, Inc., Chicago, Ill.

[**] Term: 14 Years

[21] Appl. No.: 716,326

[22] Filed: Mar. 26, 1985

[52] U.S. Cl. D6/492

[58] Field of Search D6/408, 491, 515, 492, D6/517, 493, 518, 494, 511, 572, 574; 312/42, 45; 211/59.2

3,784,022	1/1974	Beesley, Jr.	211/59.2
4,105,126	8/1978	Deffner et al.	211/59.2
4,356,923	11/1982	Young et al.	211/59.2
4,474,297	10/1984	Zucker	312/45 X
4,598,828	7/1986	Young et al.	211/59.2

Primary Examiner—Carmen H. Vales
Attorney, Agent, or Firm—Norman Lettvin

[57] CLAIM

The ornamental design for a side wall for a dispenser for cans or bottles, as shown.

DESCRIPTION

FIG. 1 is a side elevational view of a side wall for a dispenser for cans or bottles showing our new design; FIG. 2 is a top plan view thereof; FIG. 3 is a cross sectional view taken along line 3—3 of FIG. 1; FIG. 4 is a bottom plan view thereof; FIG. 5 is a front elevational view thereof; and FIG. 6 is a rear elevational view thereof.

[56] References Cited
U.S. PATENT DOCUMENTS

D. 268,068	3/1983	Ellenson et al.	D6/515
D. 277,154	1/1985	Nasgowitz	D6/408
2,915,162	12/1959	Umstead	312/45 X

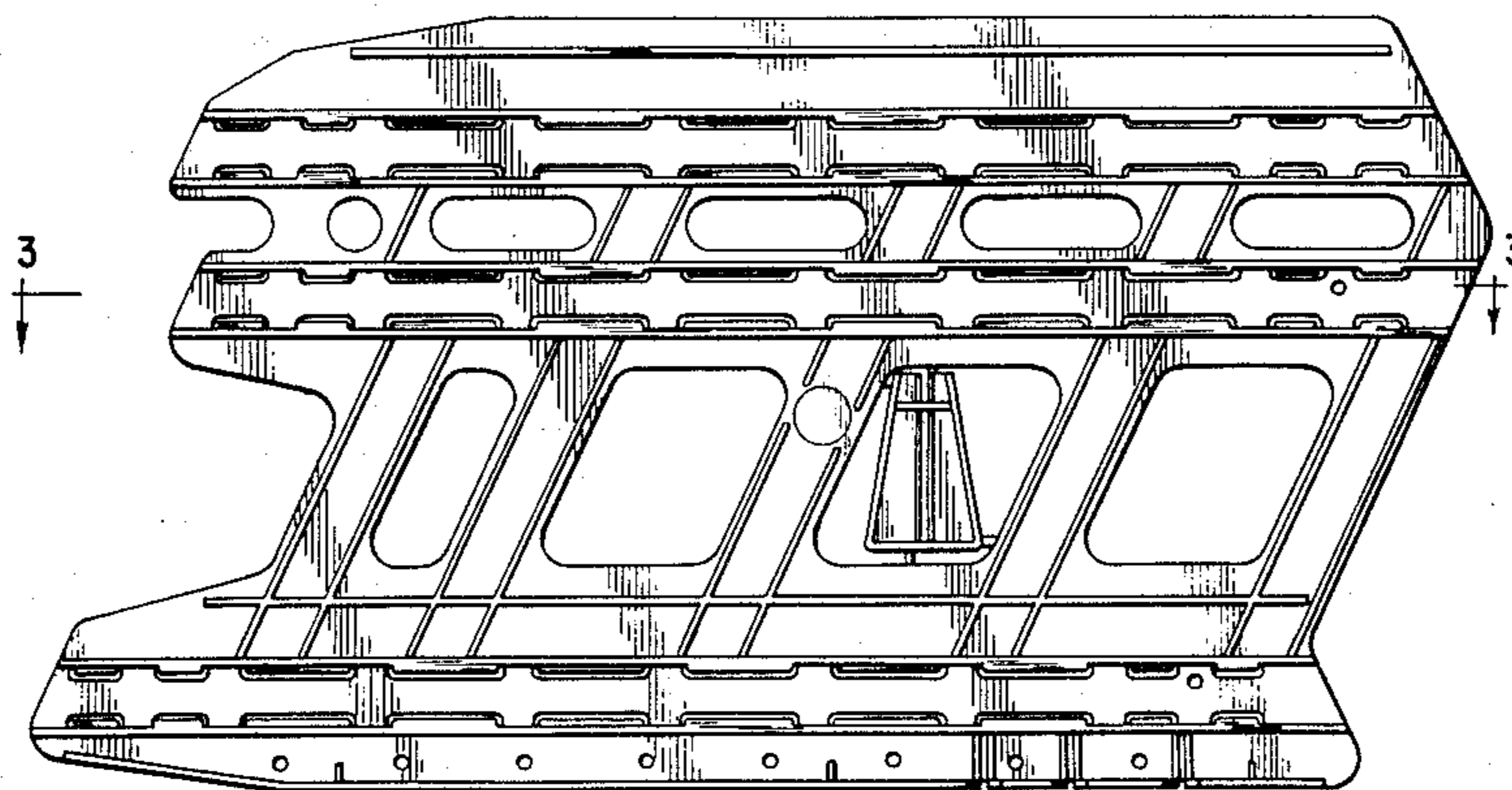


FIG. 1

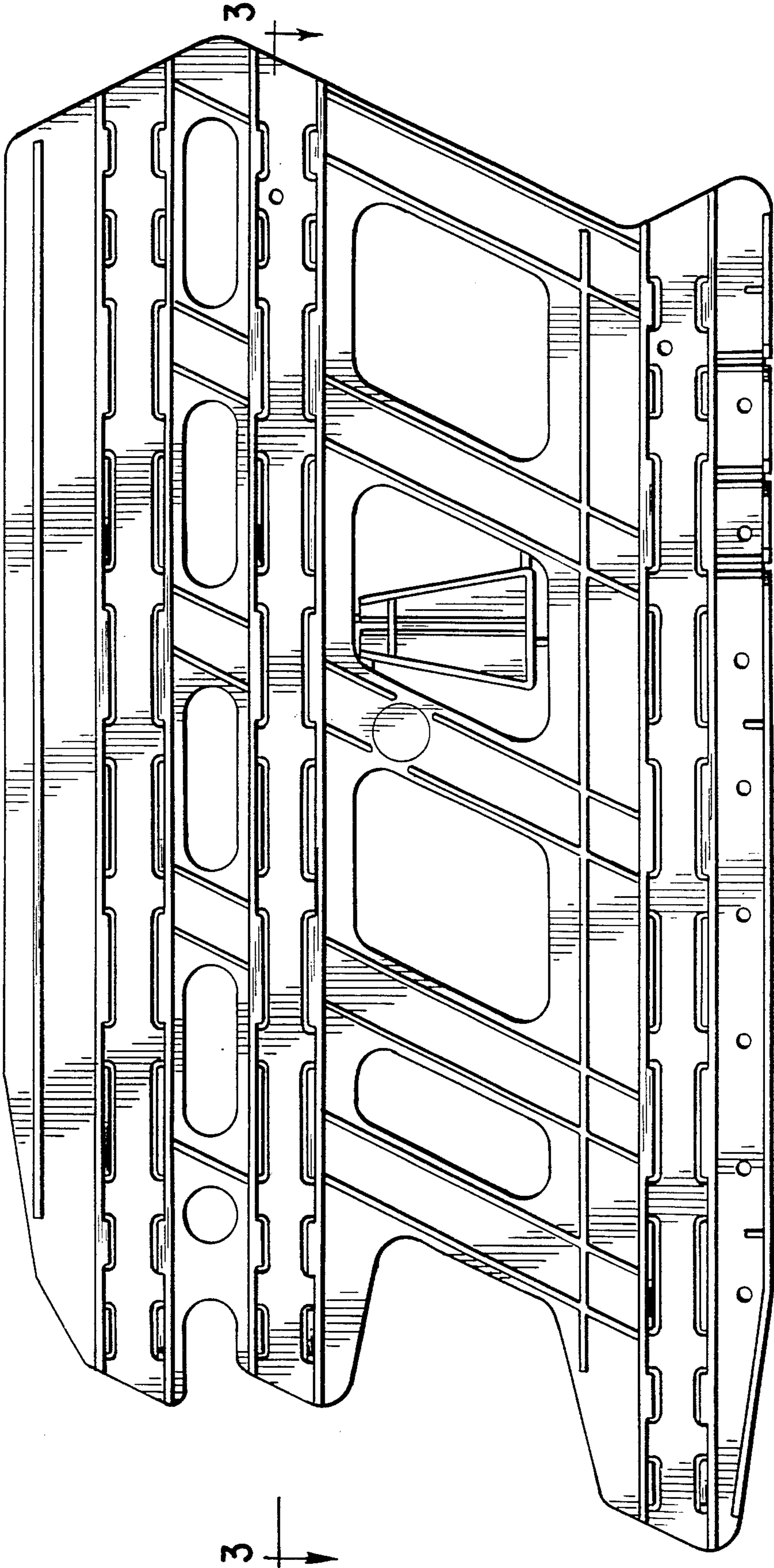


FIG. 2

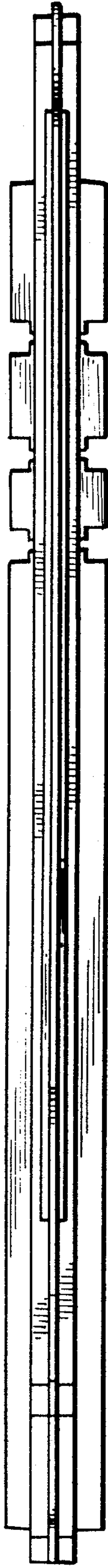


FIG. 3

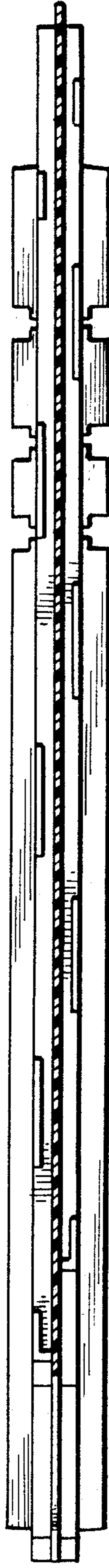


FIG. 4



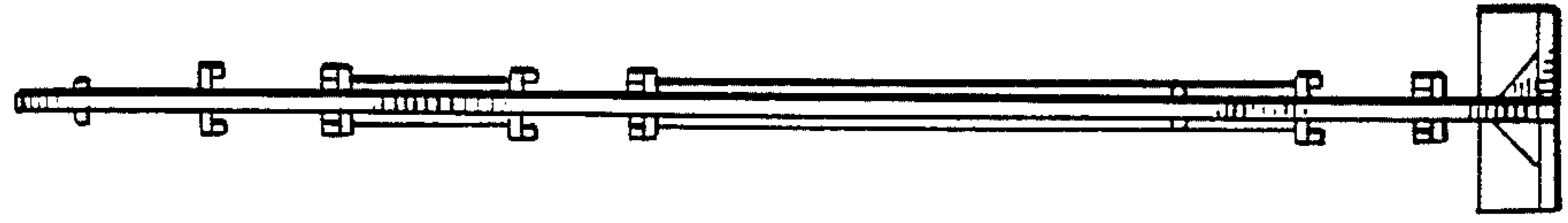


FIG. 6



FIG. 5