

[54] TABLE

[75] Inventor: William Doezema, Grand Rapids, Mich.

[73] Assignee: Baker, Knapp & Tubbs Inc., Chicago, Ill.

[**] Term: 14 Years

[21] Appl. No.: 685,363

[22] Filed: Dec. 24, 1984

[52] U.S. Cl. D6/484; D6/487

[58] Field of Search D6/477, 479, 480, 482, D6/484, 486, 487

[56] References Cited

U.S. PATENT DOCUMENTS

D. 168,167	11/1952	Molla	D6/480
D. 240,582	7/1976	Friedman	D6/484
D. 273,921	5/1984	Woolaway	D6/480
D. 282,799	3/1986	Doezema	D6/484 X

OTHER PUBLICATIONS

Willow & Reed Catalog, 1974, p. 52, Console No. 160.

Primary Examiner—Bruce W. Dunkins
Attorney, Agent, or Firm—Thomas A. Briody; Jack Oisher; William J. Streeter

[57] CLAIM

The ornamental design for a table, as shown and described.

DESCRIPTION

FIG. 1 is a perspective view of a table showing my design;
 FIG. 2 is an elevational view showing one of the two identical sides;
 FIG. 3 is a top plan view;
 FIG. 4 is an elevational view showing one of the two identical ends;
 FIG. 5 is a bottom plan view;
 FIG. 6 is a perspective view of a table showing a second embodiment of my design;
 FIG. 7 is a perspective view of a table showing a third embodiment of my design; and
 FIG. 8 is a perspective view of a table showing a fourth embodiment of my design.

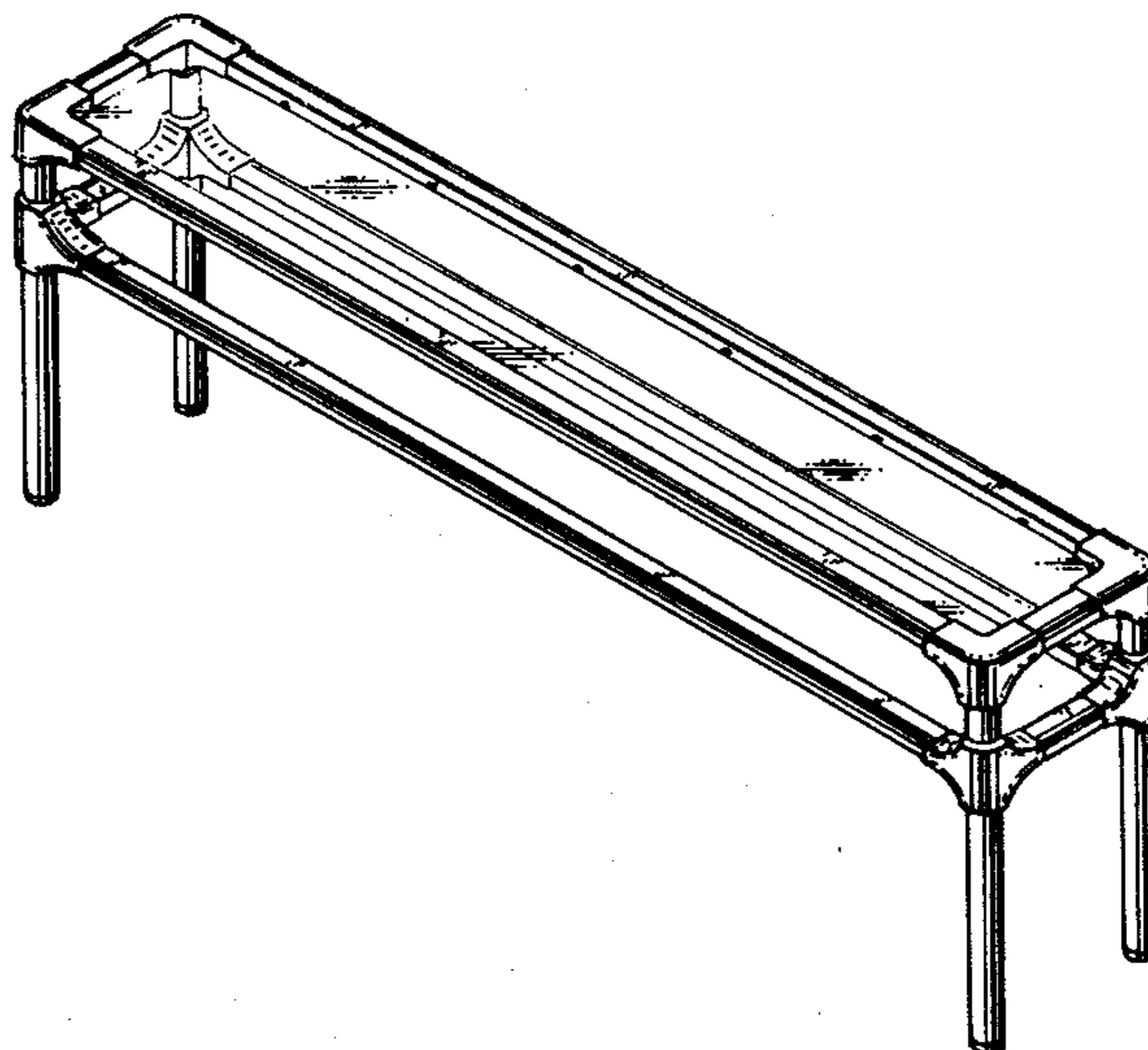


FIG.1

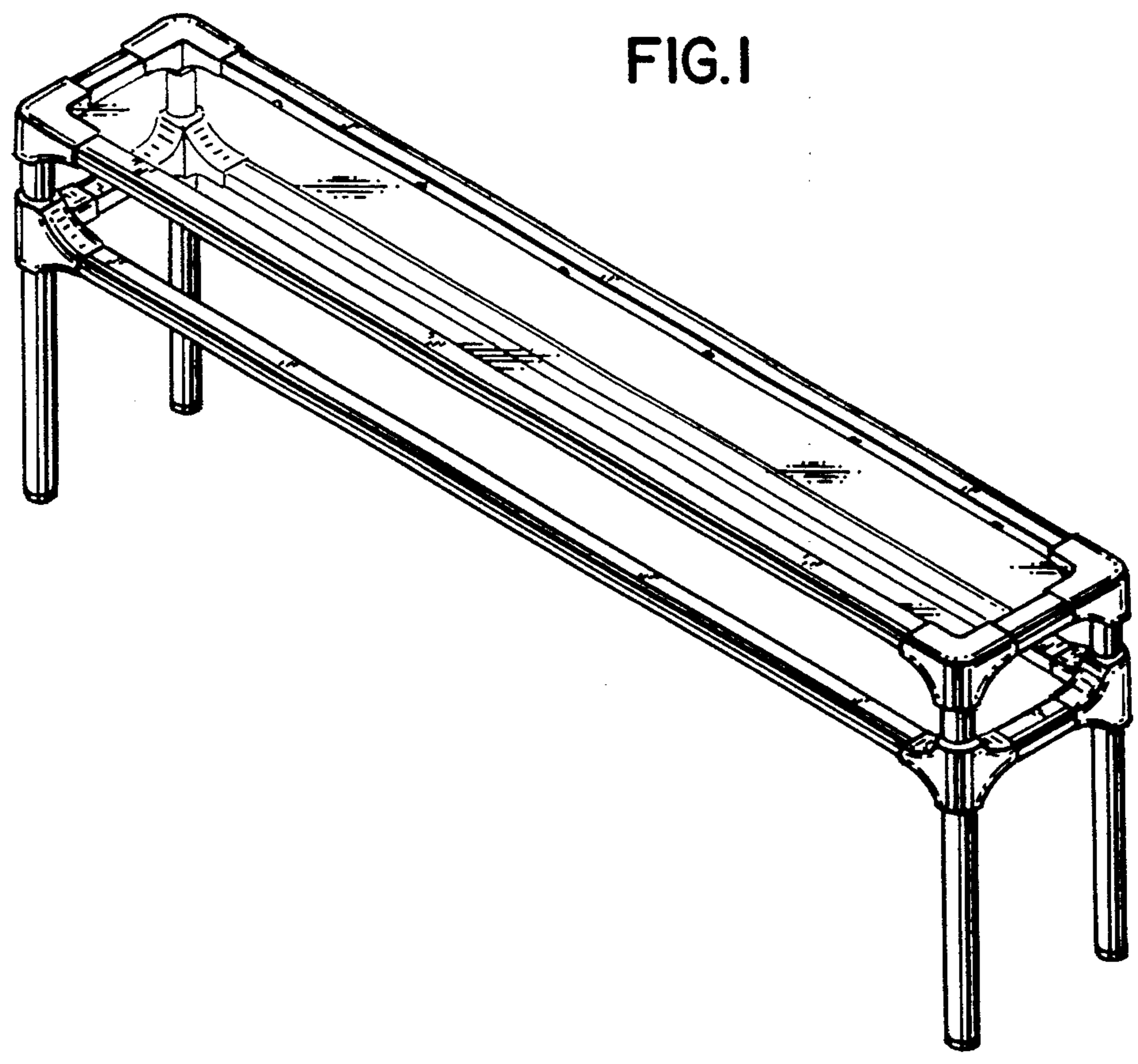
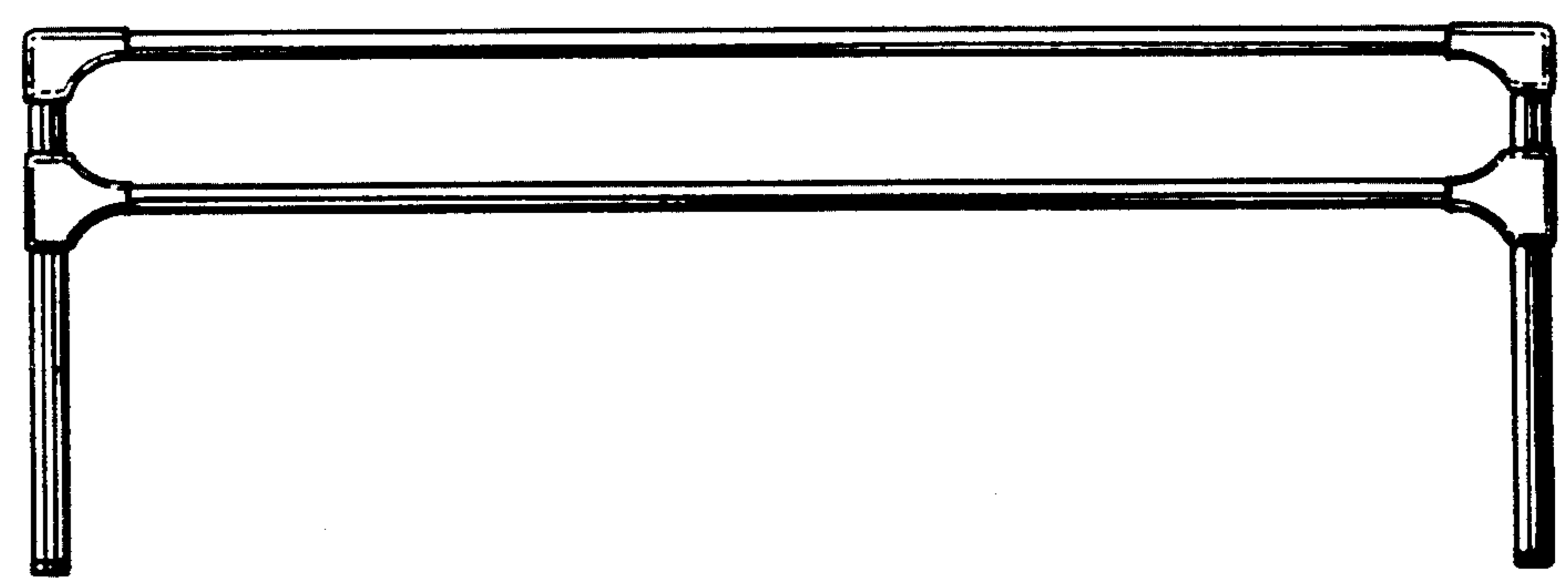


FIG.2



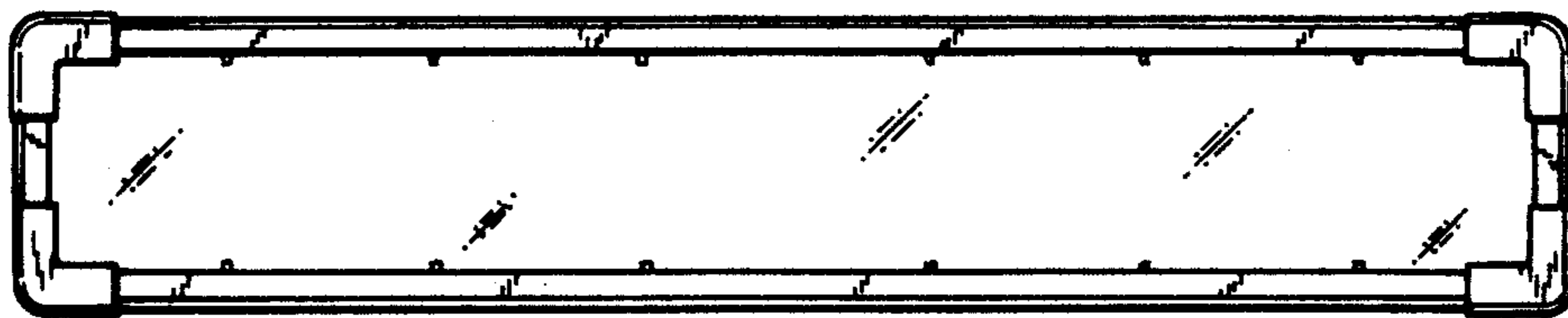


FIG. 3

FIG. 4

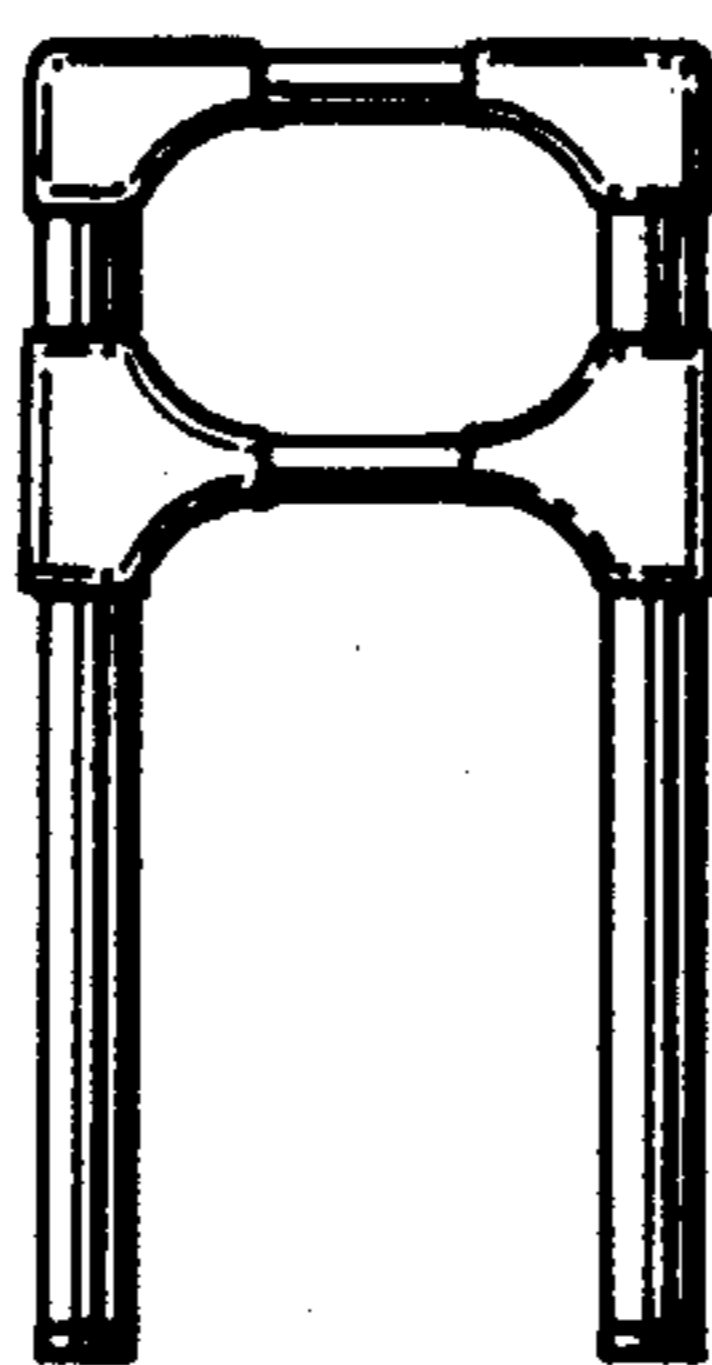
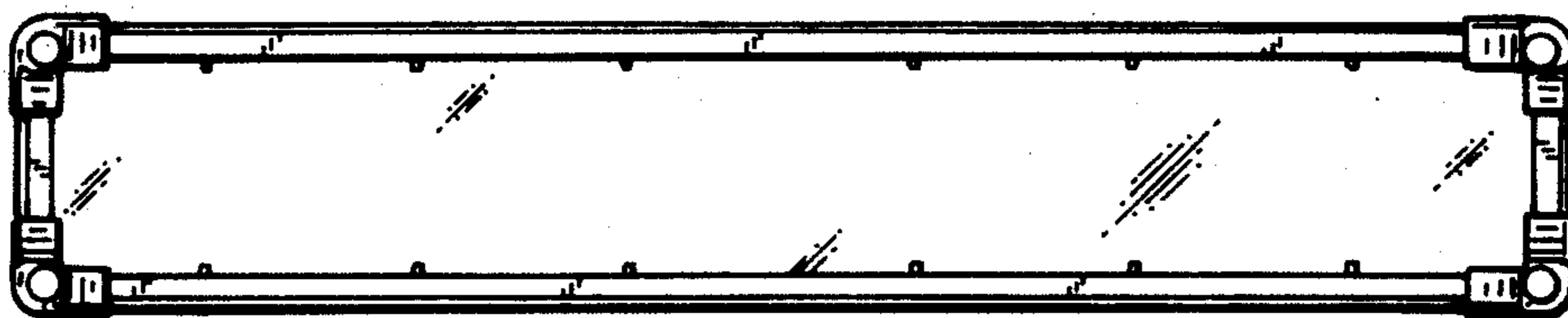


FIG. 5



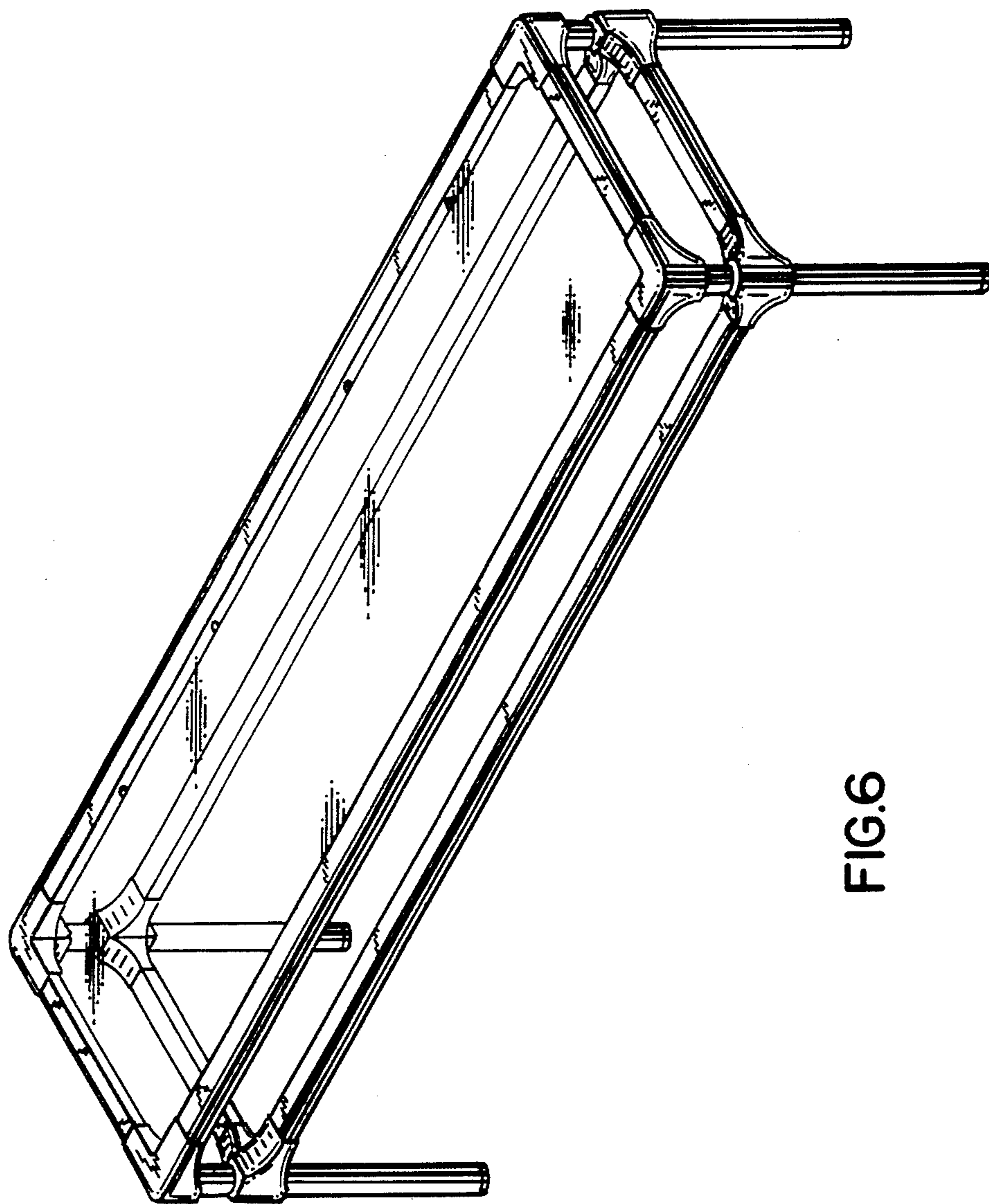


FIG.6

FIG. 7

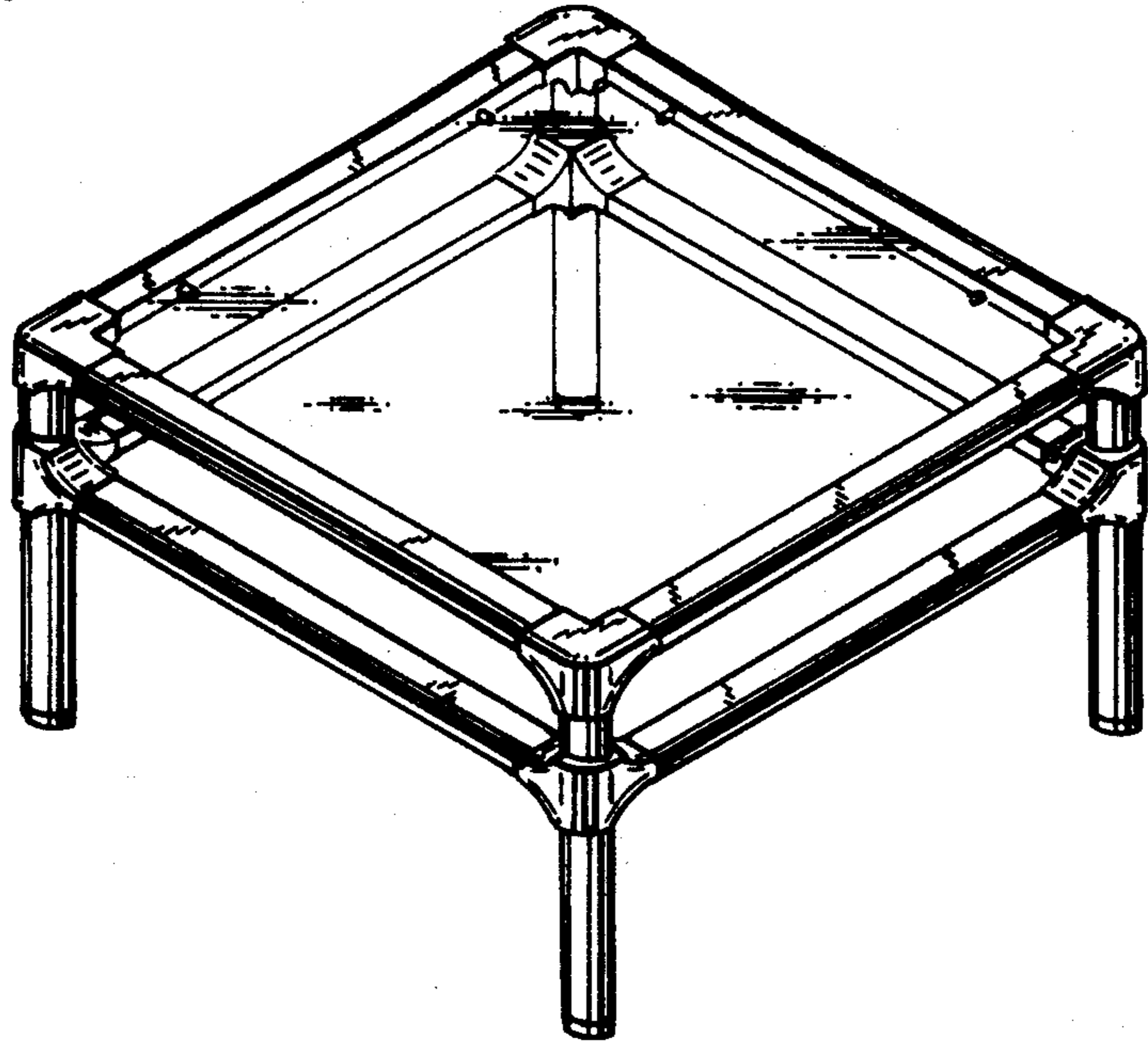


FIG. 8

