

[54] TABLE OR SIMILAR ARTICLE

[76] Inventor: William M. Becker, 2601 Woodley Pl., Washington, D.C. 20008

[**] Term: 14 Years

[21] Appl. No.: 655,743

[22] Filed: Sep. 28, 1984

[52] U.S. Cl. D6/455; D6/477; D6/478

[58] Field of Search D6/480, 484, 487, 455, D6/477, 478

[56] References Cited

U.S. PATENT DOCUMENTS

- D. 139,870 1/1945 McDonald D6/455
- D. 147,114 7/1947 Cutrow D6/477
- D. 240,377 7/1976 Goulder D6/484 X
- D. 264,289 5/1982 Klein D6/477

OTHER PUBLICATIONS

Selig Import Catalog, p. L338, Table No. 88-06.
Interiors, Jan. 1981, p. 45, Table bottom center by Zanuso.

Primary Examiner—Bruce W. Dunkins
Attorney, Agent, or Firm—Berman, Aisenberg and Platt

[57] CLAIM

The ornamental design for a table or similar article, as shown and described.

DESCRIPTION

FIG. 1 is a perspective view of a table showing my new design. The edges of the table are stippled to indicate that the edges are not transparent;

FIG. 2 is a top view of the table of FIG. 1;

FIG. 3 is a side view of the table of FIG. 1. This view is the same for all four sides of the table;

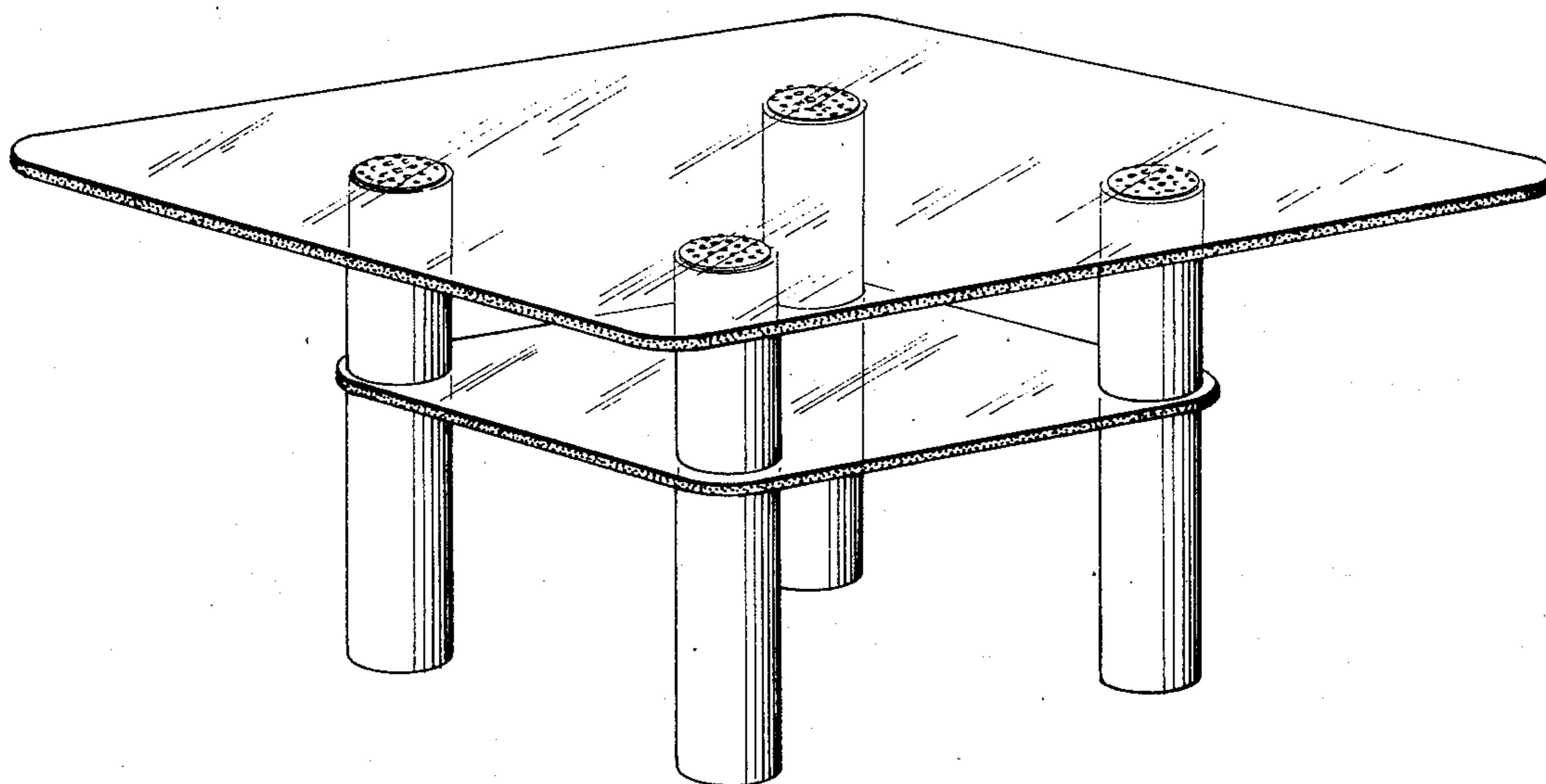
FIG. 4 is a bottom view of the table of FIG. 1;

FIG. 5 is a top view of a modified form of the table of FIG. 1;

FIG. 6 is a side view of the table of FIG. 5. The opposite side of the table is identical to the view shown in FIG. 6;

FIG. 7 is an end view of the table of FIG. 5. The opposite end of the table is identical to the view shown in FIG. 7.

While a bottom view of the modified form shown in FIG. 5 has not been shown, it is to be understood that such view is identical to the top view of FIG. 5, with the sole exception of the bottom ends of the four legs which are identical to the bottom ends of the four legs shown in FIG. 4. The edges of all four sides of the table are not transparent. This is shown in FIGS. 6 and 7, and is true for all forms of the invention, including FIG. 1.



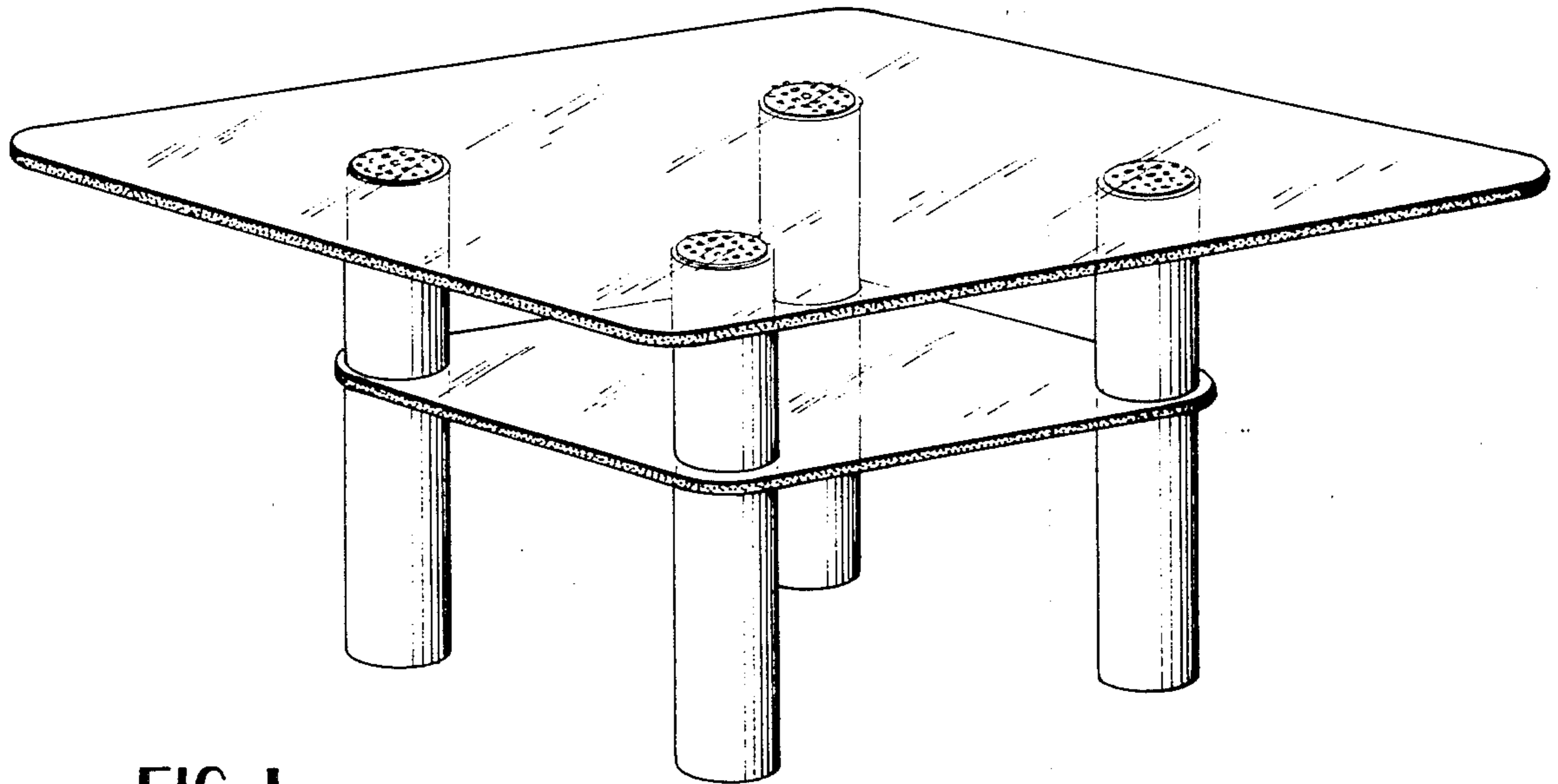
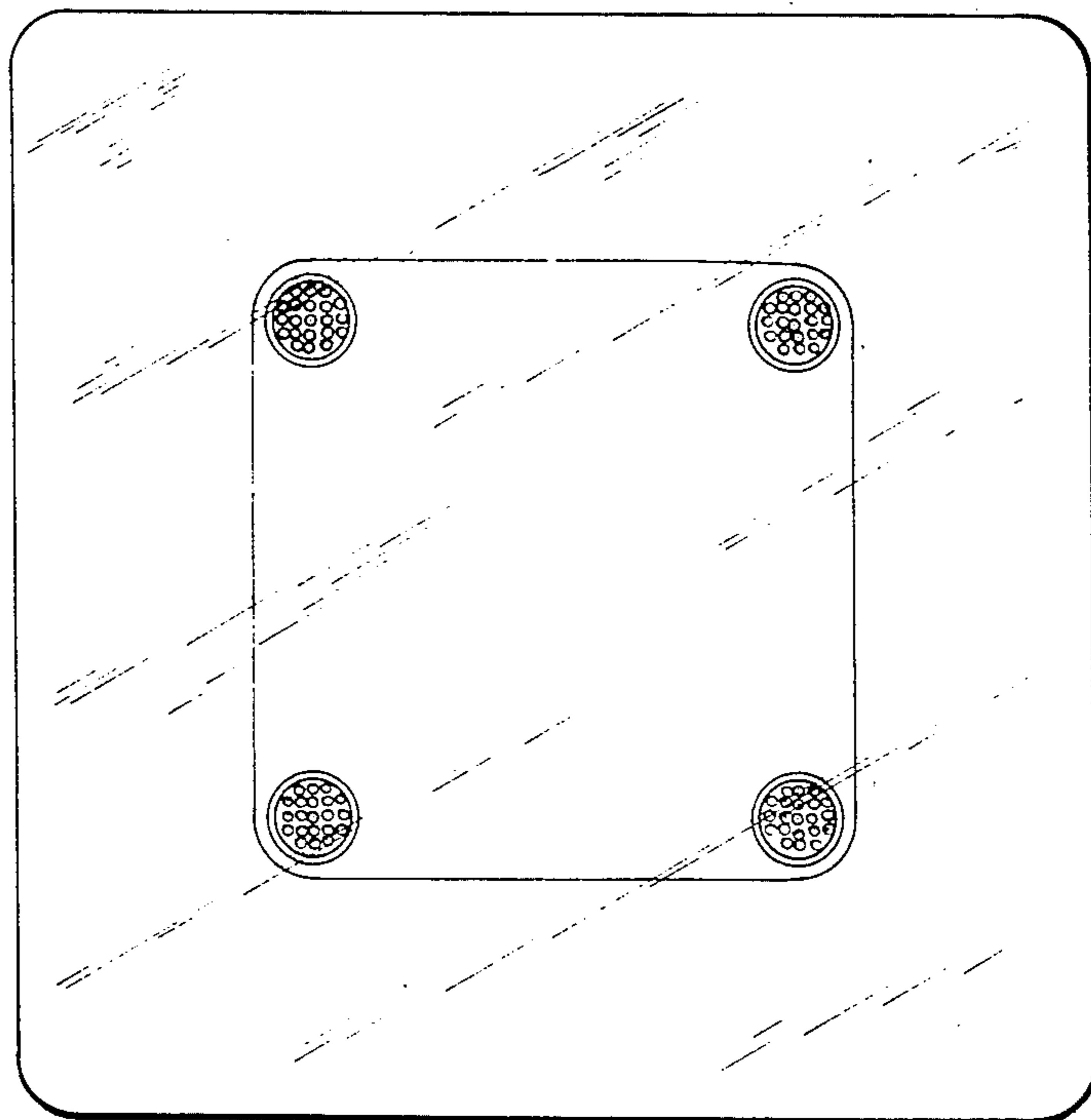


FIG. 1

FIG. 2



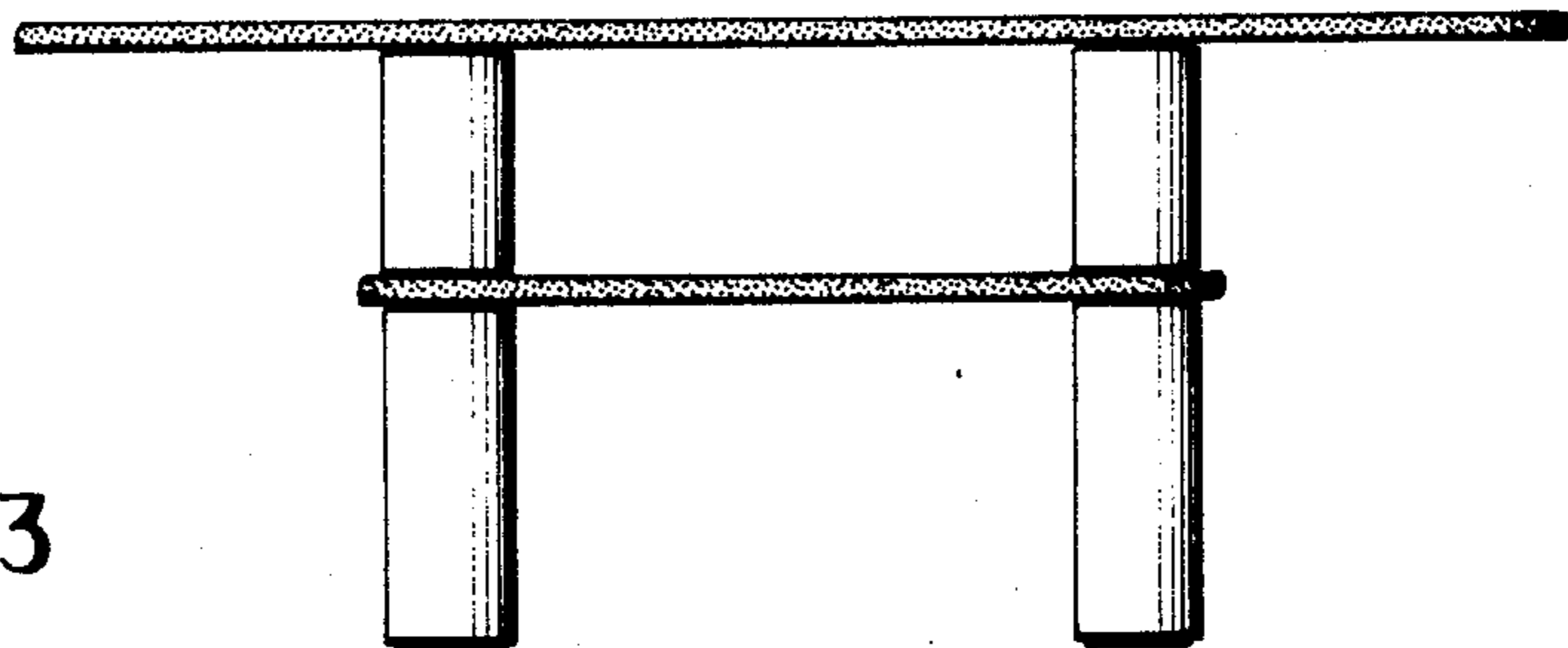


FIG. 3

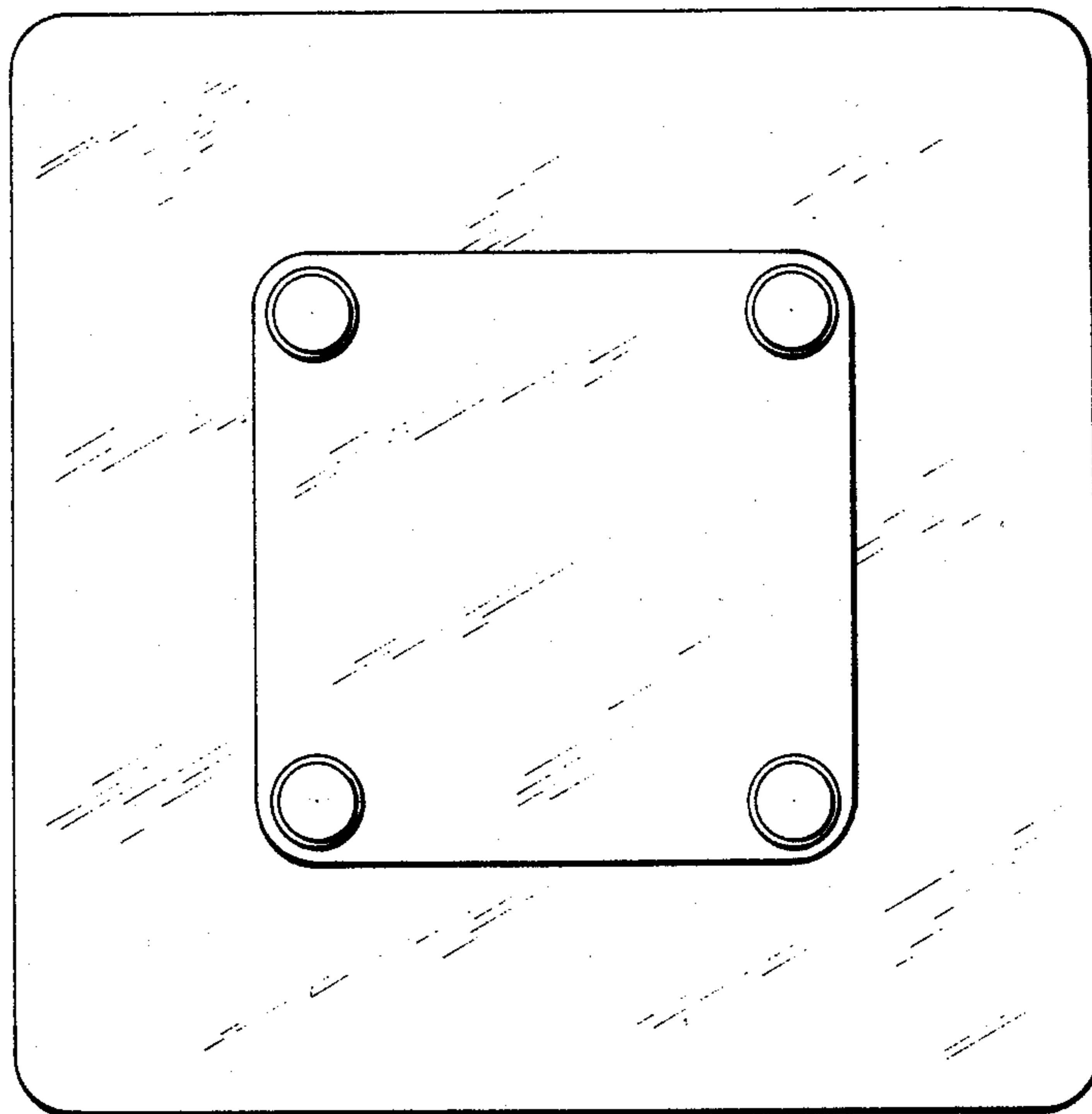


FIG. 4

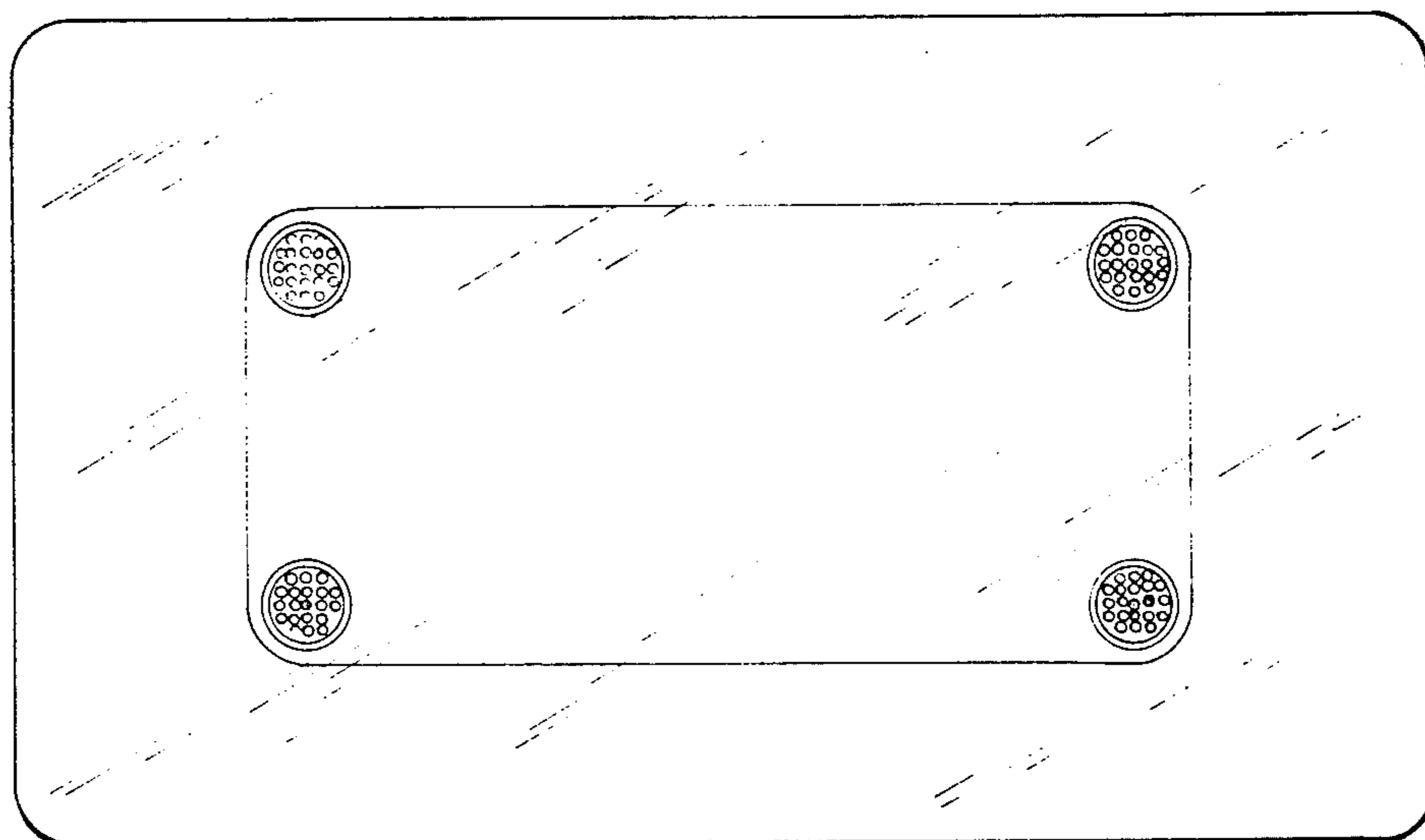


FIG. 5

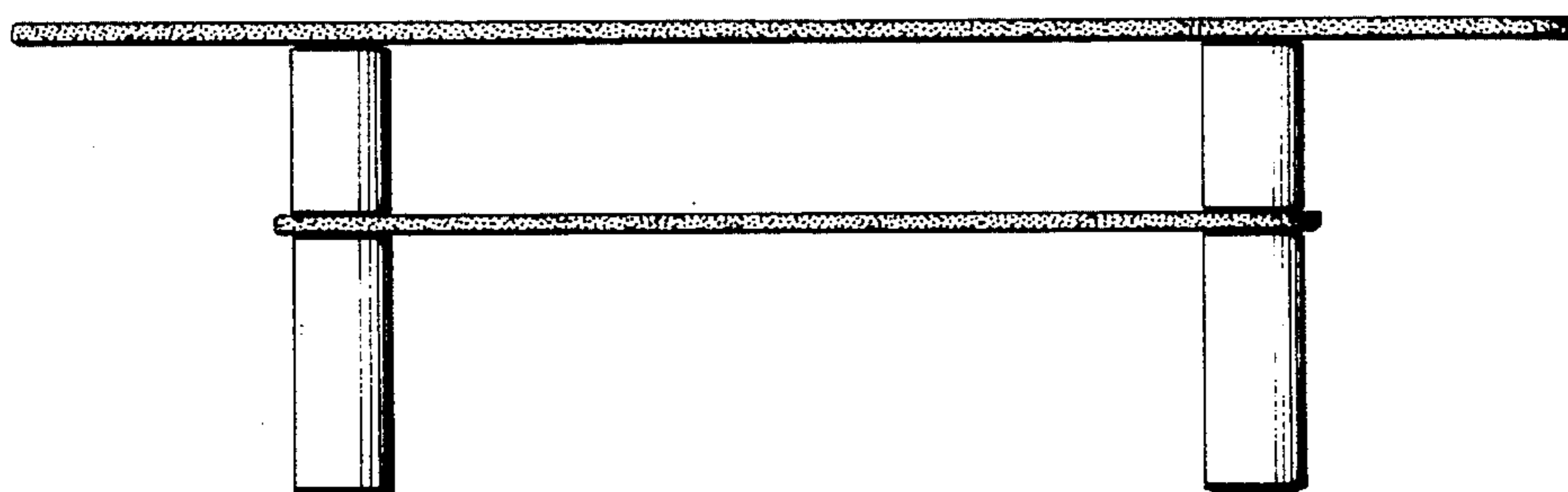


FIG. 6

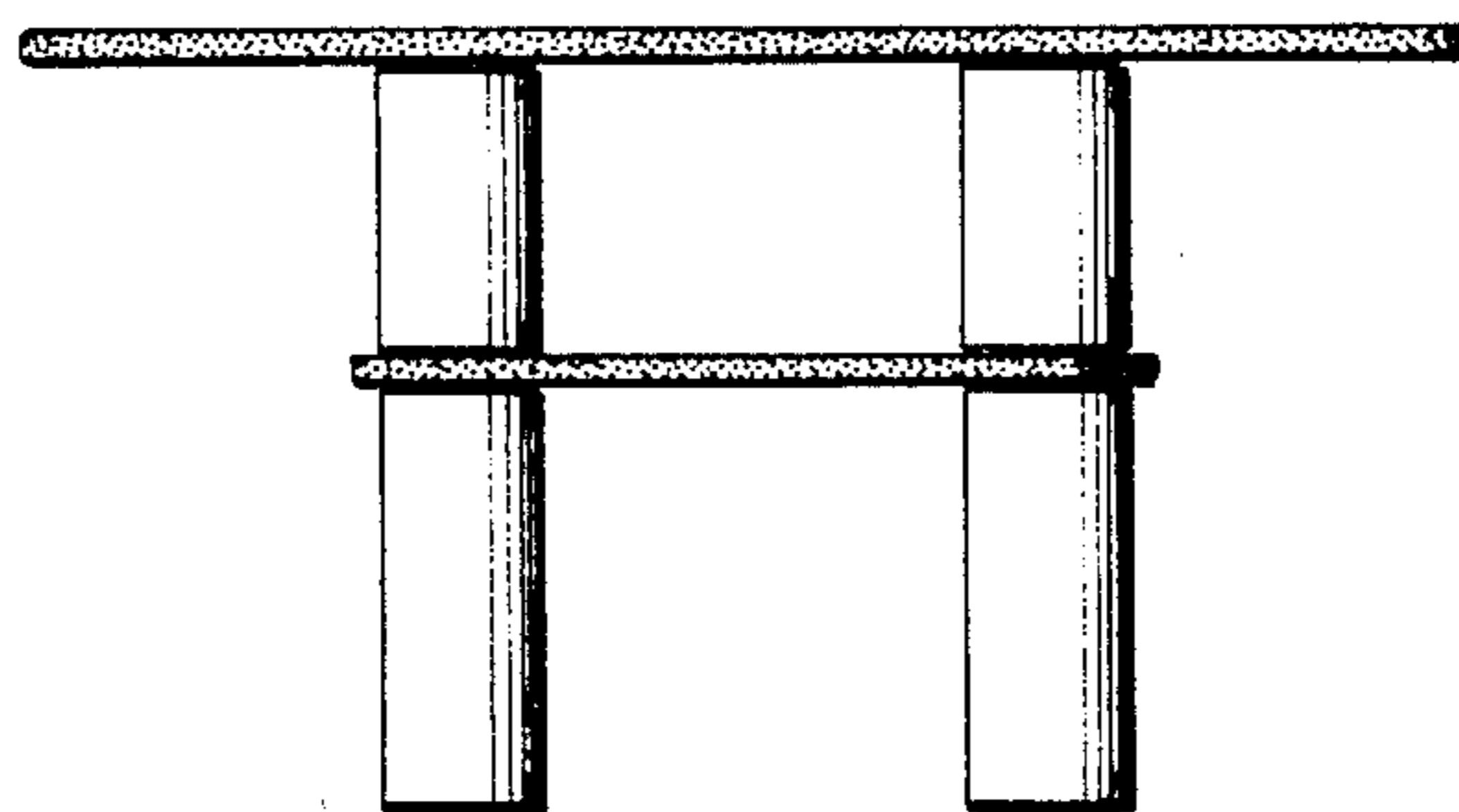


FIG. 7