

[54] WASHING BRUSH WITH ROD

[75] Inventors: Franco Clivio, Zürich, Switzerland; Dieter Raffler, Neu-Ulm, Fed. Rep. of Germany

[73] Assignee: Gardena Kress & Kastner GmbH, Fed. Rep. of Germany

[\*] Notice: The portion of the term of this patent subsequent to Jun. 23, 2001 has been disclaimed.

[\*\*] Term: 14 Years

[21] Appl. No.: 682,075

[22] Filed: Dec. 17, 1984

[30] Foreign Application Priority Data

Jun. 29, 1984 [DE] Fed. Rep. of Germany ..... GRAIII14638403

[52] U.S. Cl. .... D4/115

[58] Field of Search ..... D4/114, 115; 15/22 R, 15/24, 29, 50 R; 401/40-42, 129, 268, 270, 277, 282, 286, 289

[56] References Cited

U.S. PATENT DOCUMENTS

D. 48,835	4/1916	Templeman	.....	D4/115
2,907,060	10/1959	Laitner	.....	15/29
3,153,799	10/1964	Williams	.....	15/29
3,782,837	1/1974	Feldmann	.....	401/289 X
4,532,666	8/1985	Smyth	.....	15/29 X

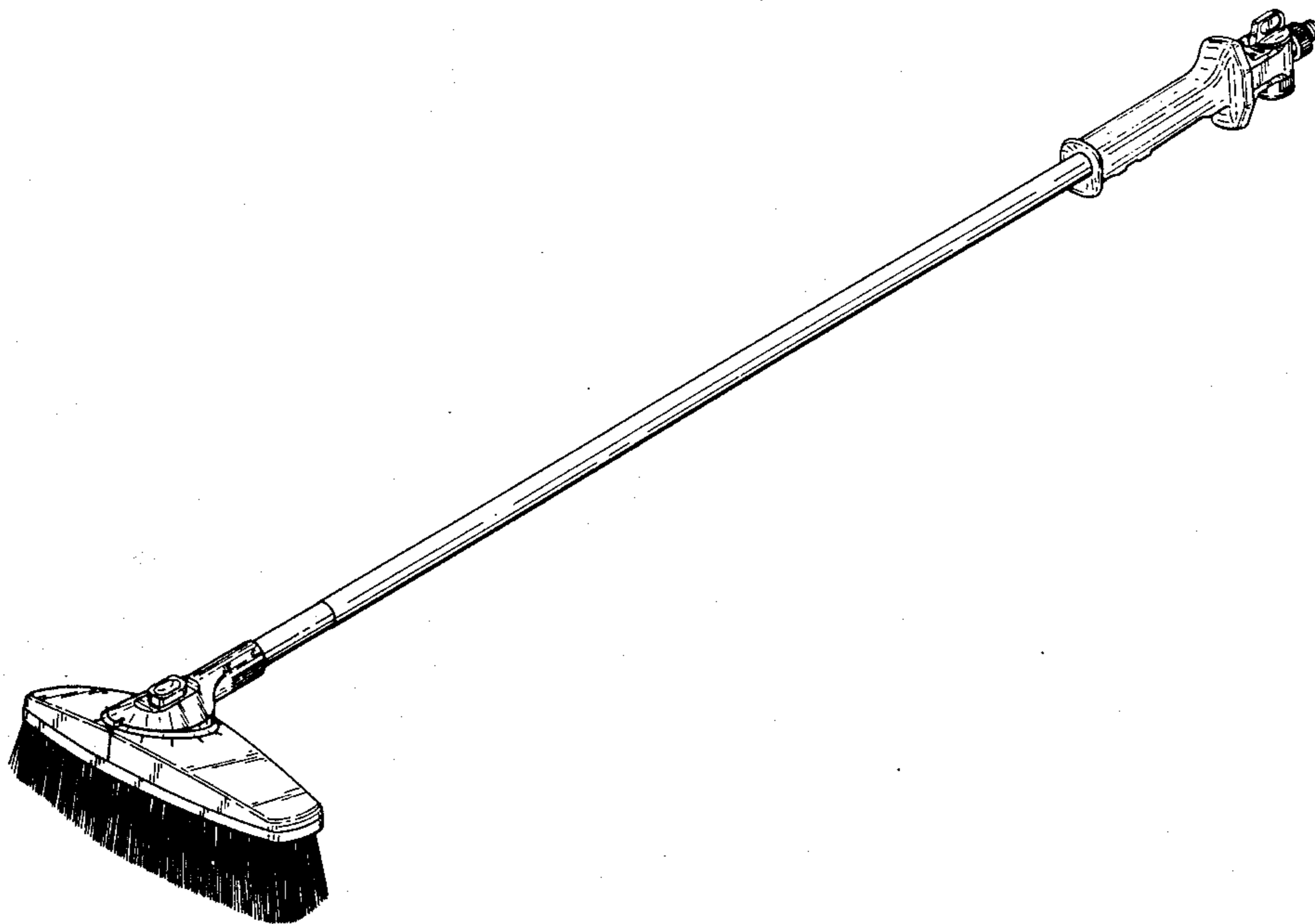
Primary Examiner—Catherine E. Kemper  
Attorney, Agent, or Firm—Steele, Gould & Fried

[57] CLAIM

The ornamental design for a washing brush with rod, as shown and described.

DESCRIPTION

FIG. 1 is a perspective view of a washing brush with rod, showing our new design;  
FIG. 2 is a top plan view thereof;  
FIG. 3 is a front end elevational view thereof;  
FIG. 4 is a bottom plan view thereof;  
FIG. 5 is a rear end elevational view thereof;  
FIG. 6 is a side elevational view thereof;  
FIG. 7 is a top plan view shown with the brush in the length-wise position.  
In FIGS. 2, 4, 6 and 7 the rod has been shown broken away for ease of illustration.



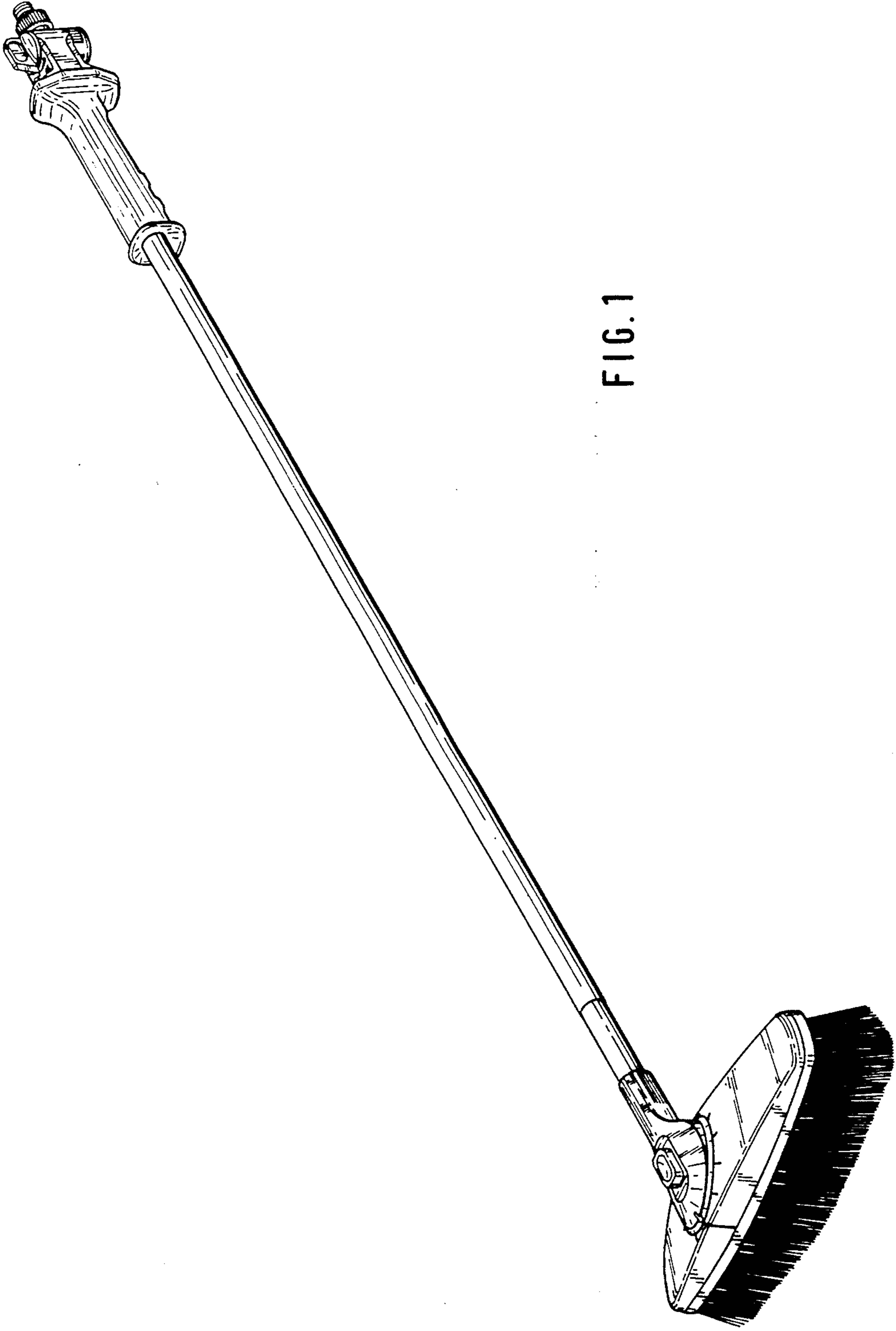


FIG. 1

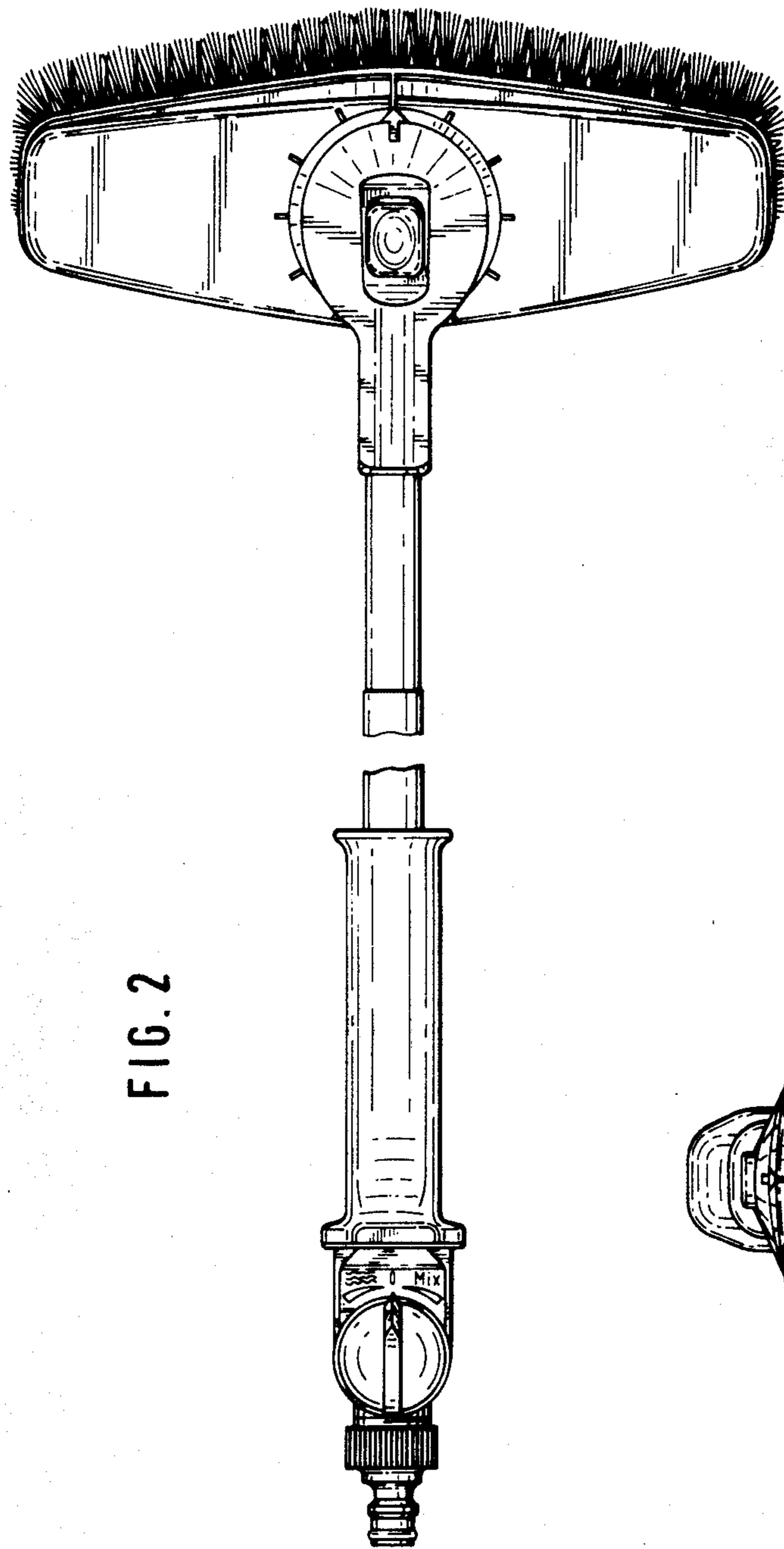


FIG. 2

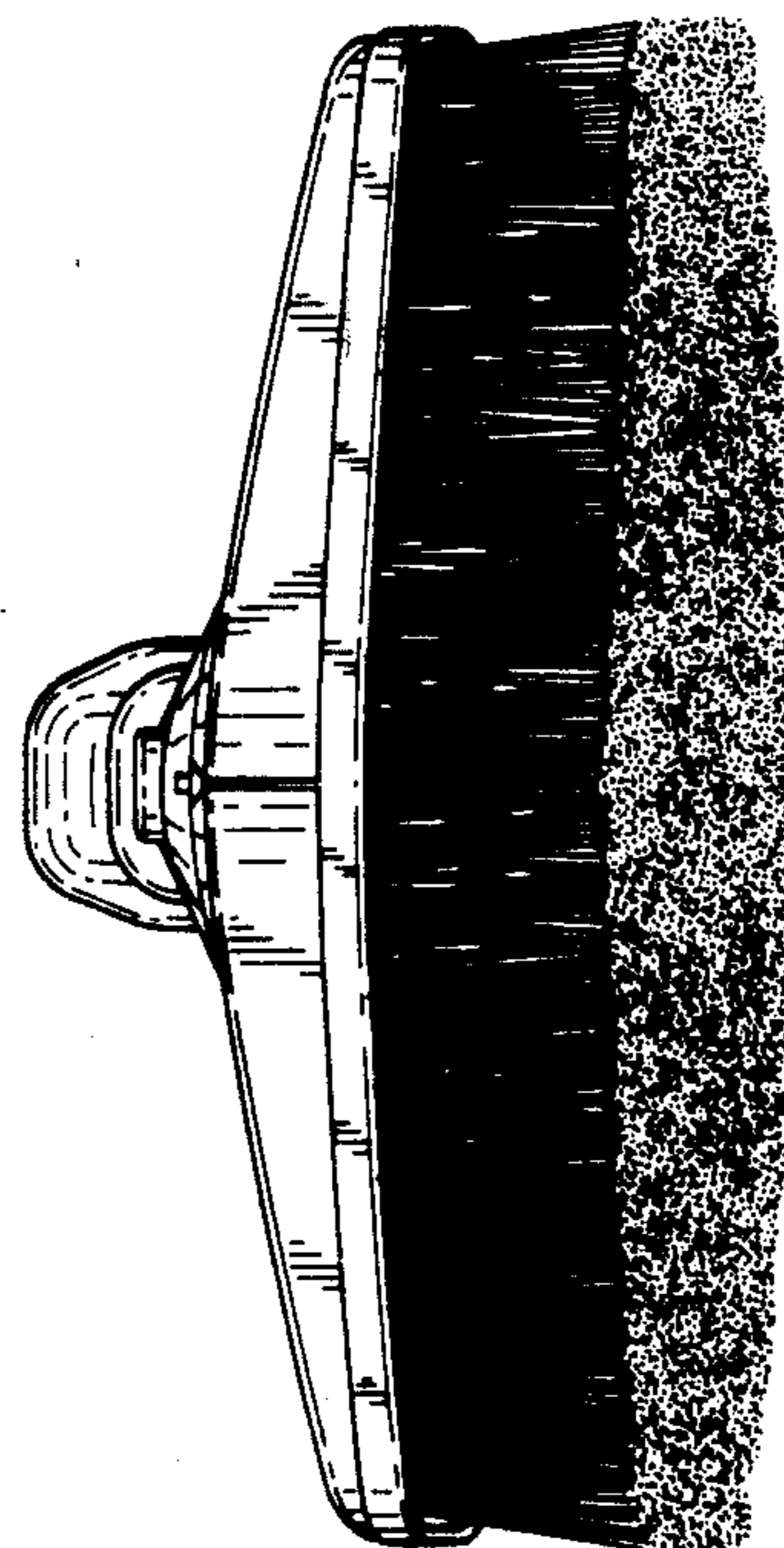


FIG. 3

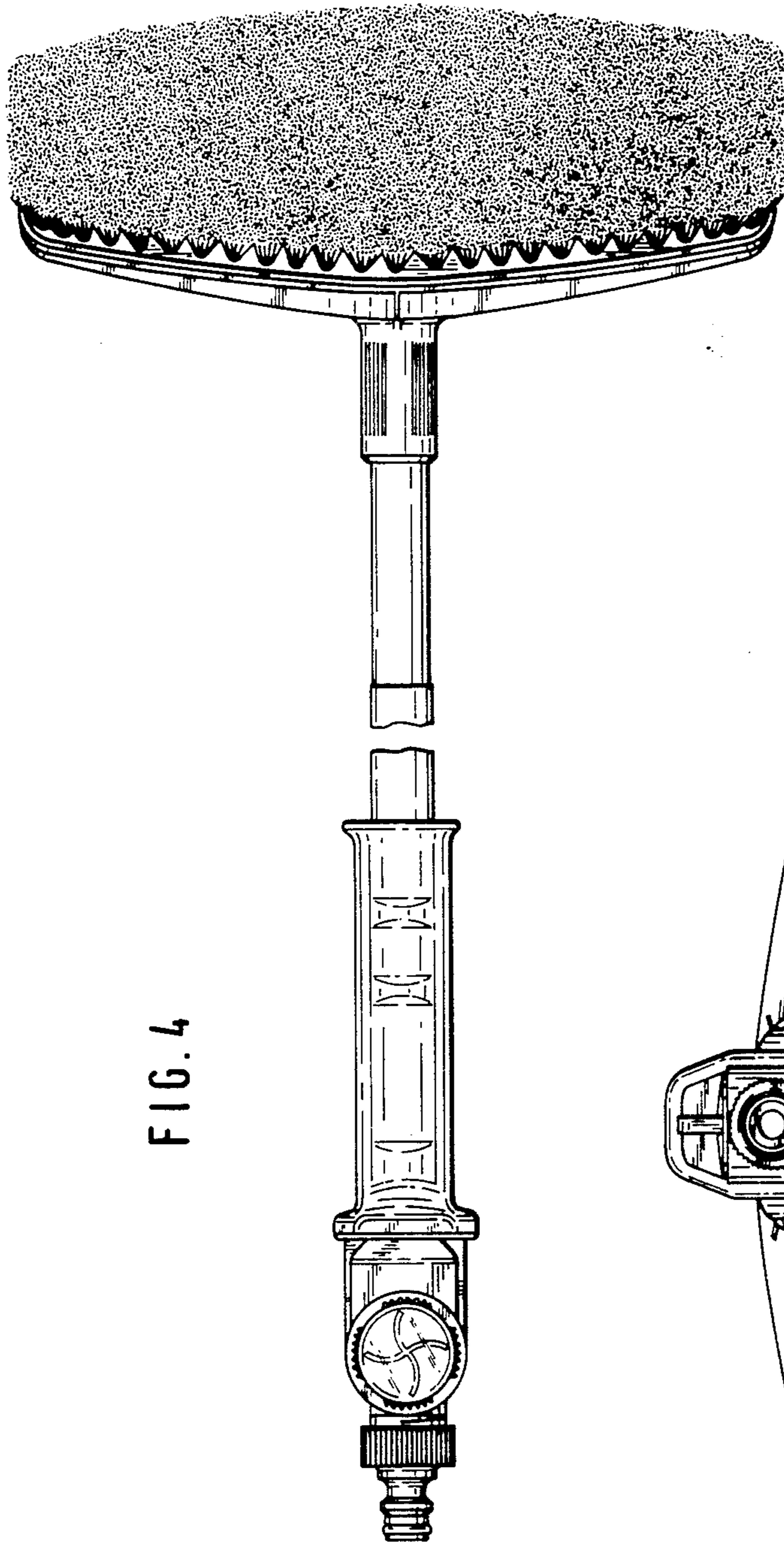


FIG. 4

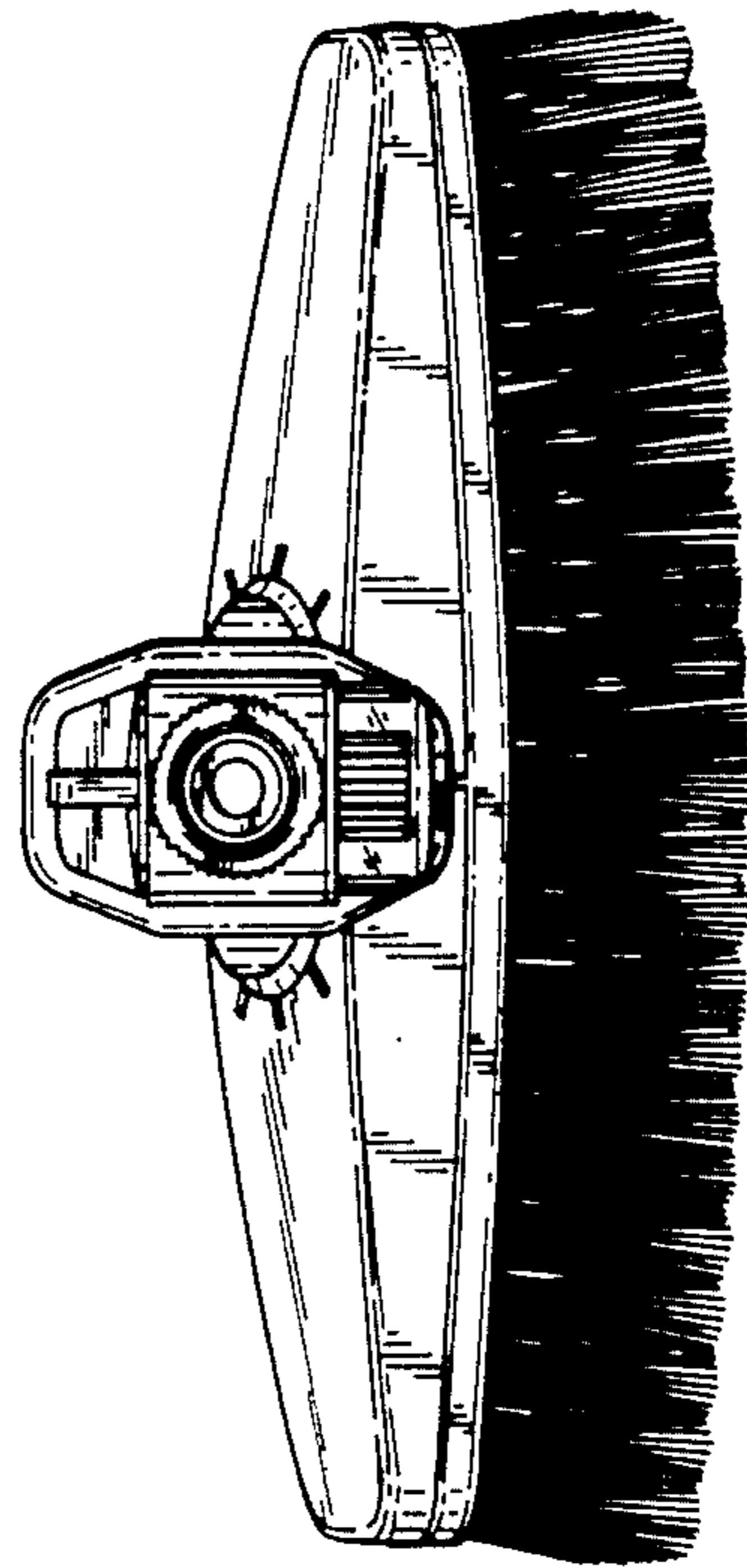


FIG. 5



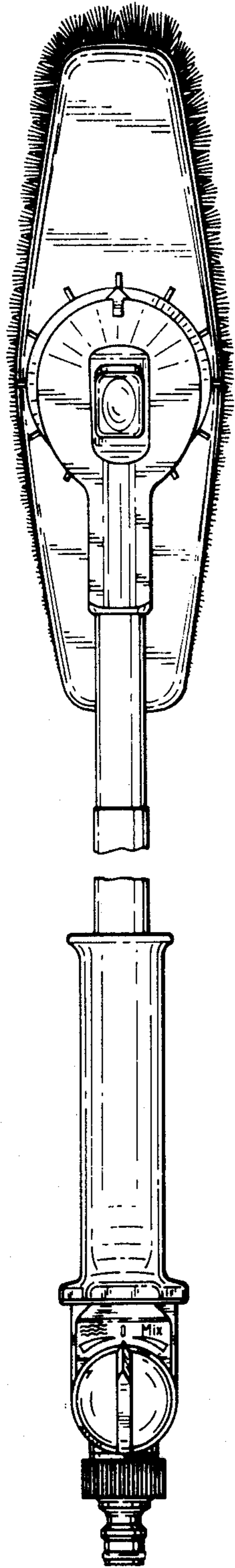


FIG. 7

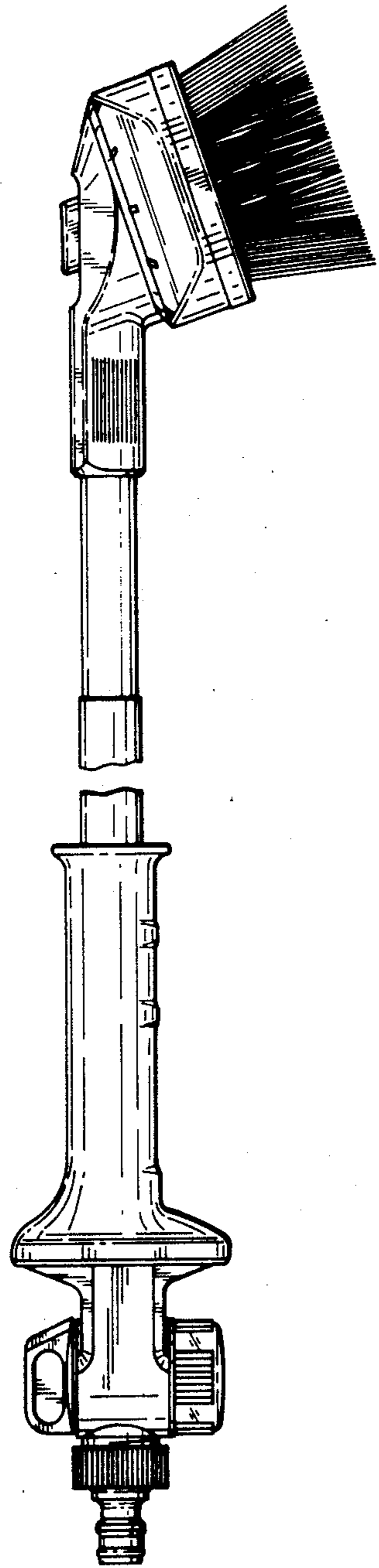


FIG. 6