

[54] **BATTERY-OPERATED BRUSH HOLDER**

[75] **Inventor: Hing W. Huen, Kowloon, Hong Kong**

[73] **Assignee: Fairform Manufacturing Company Limited, Hong Kong**

[**] **Term: 14 Years**

[21] **Appl. No.: 674,914**

[22] **Filed: Nov. 26, 1984**

[30] **Foreign Application Priority Data**

Jul. 11, 1984 [GB] United Kingdom 1020875

[52] **U.S. Cl. D4/102**

[58] **Field of Search D4/100, 102; 15/21, 15/22, 23, 28, 29**

[56]

References Cited

U.S. PATENT DOCUMENTS

D. 196,227	9/1963	Polatchek	D4/102
D. 199,115	9/1964	Wedemeyer	D4/102
D. 199,301	10/1964	Brickman	D4/102
D. 200,293	2/1965	Polatchek	D4/102
D. 203,254	12/1965	Florian	D4/102
D. 207,393	4/1967	Polatchek	D4/102
D. 281,035	10/1985	Herzfeld	D4/102
2,778,043	1/1957	Arf	15/28

Primary Examiner—Catherine E. Kemper
Attorney, Agent, or Firm—Bacon & Thomas

[57]

CLAIM

The ornamental design for a battery-operated brush holder, substantially as shown.

DESCRIPTION

FIG. 1 is a top perspective view of a battery operated brush holder, showing my new design;
FIG. 2 is a top perspective view taken from the opposite side and end thereof;
FIG. 3 is a bottom perspective view thereof.

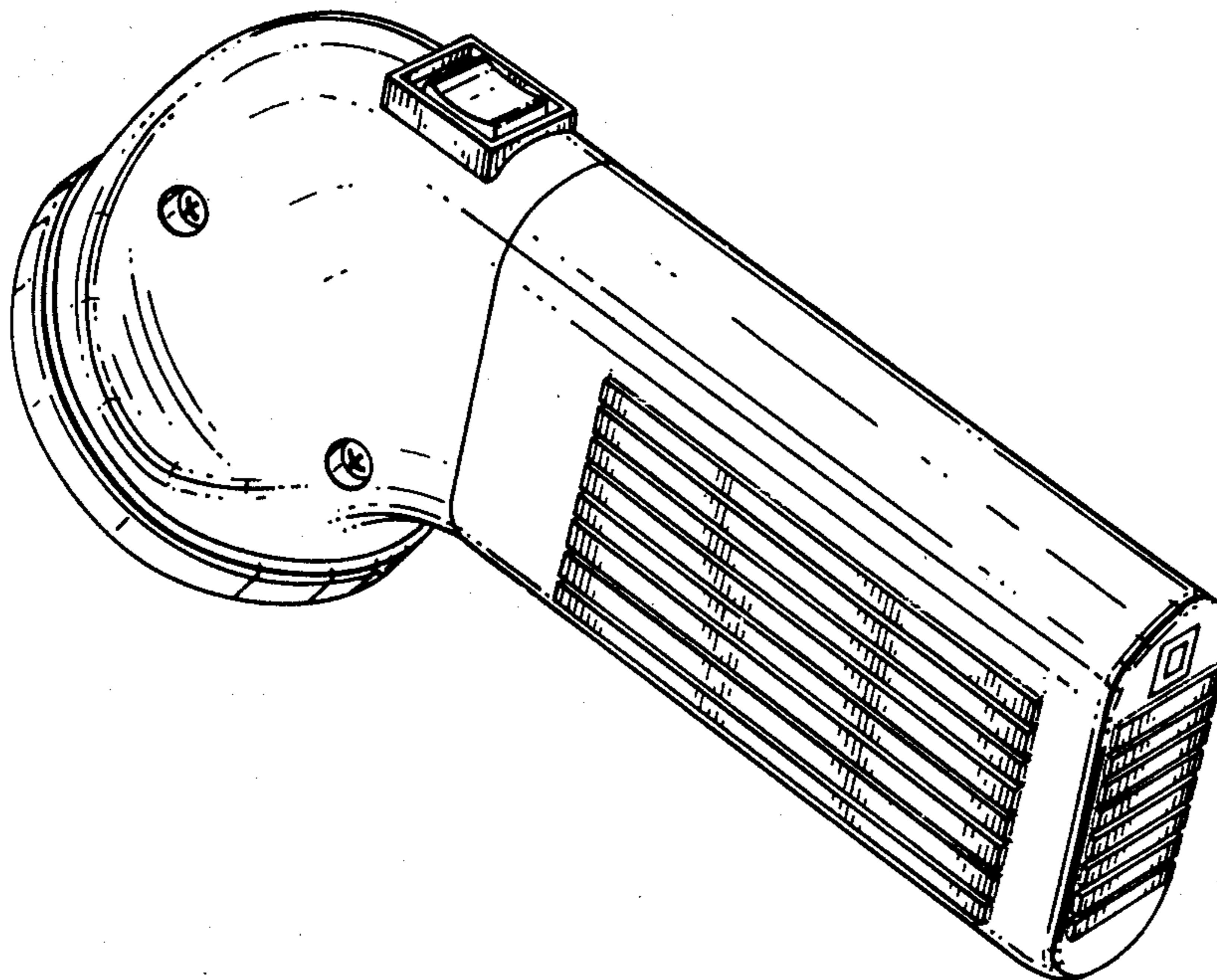


FIG. 1.

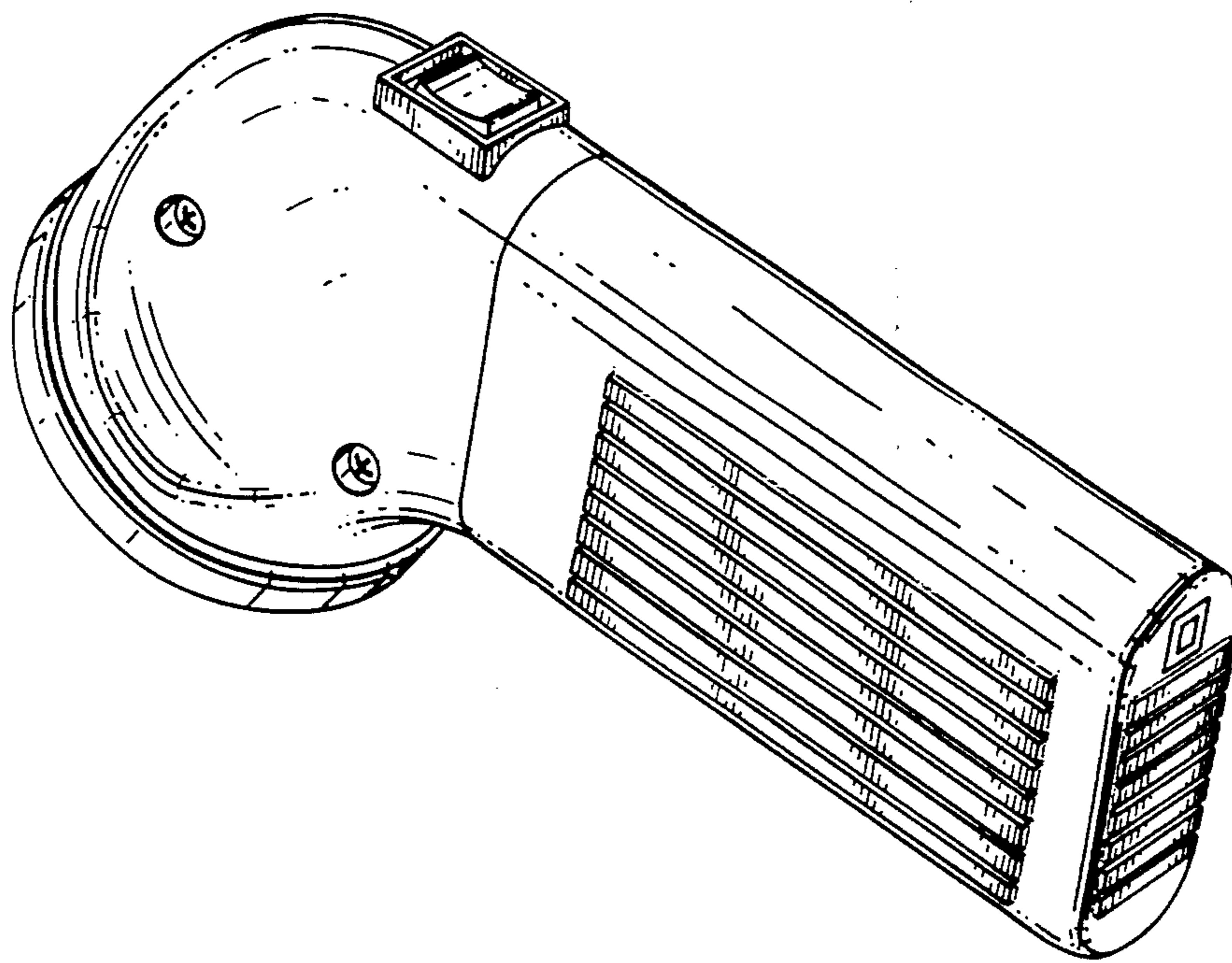


FIG. 2.

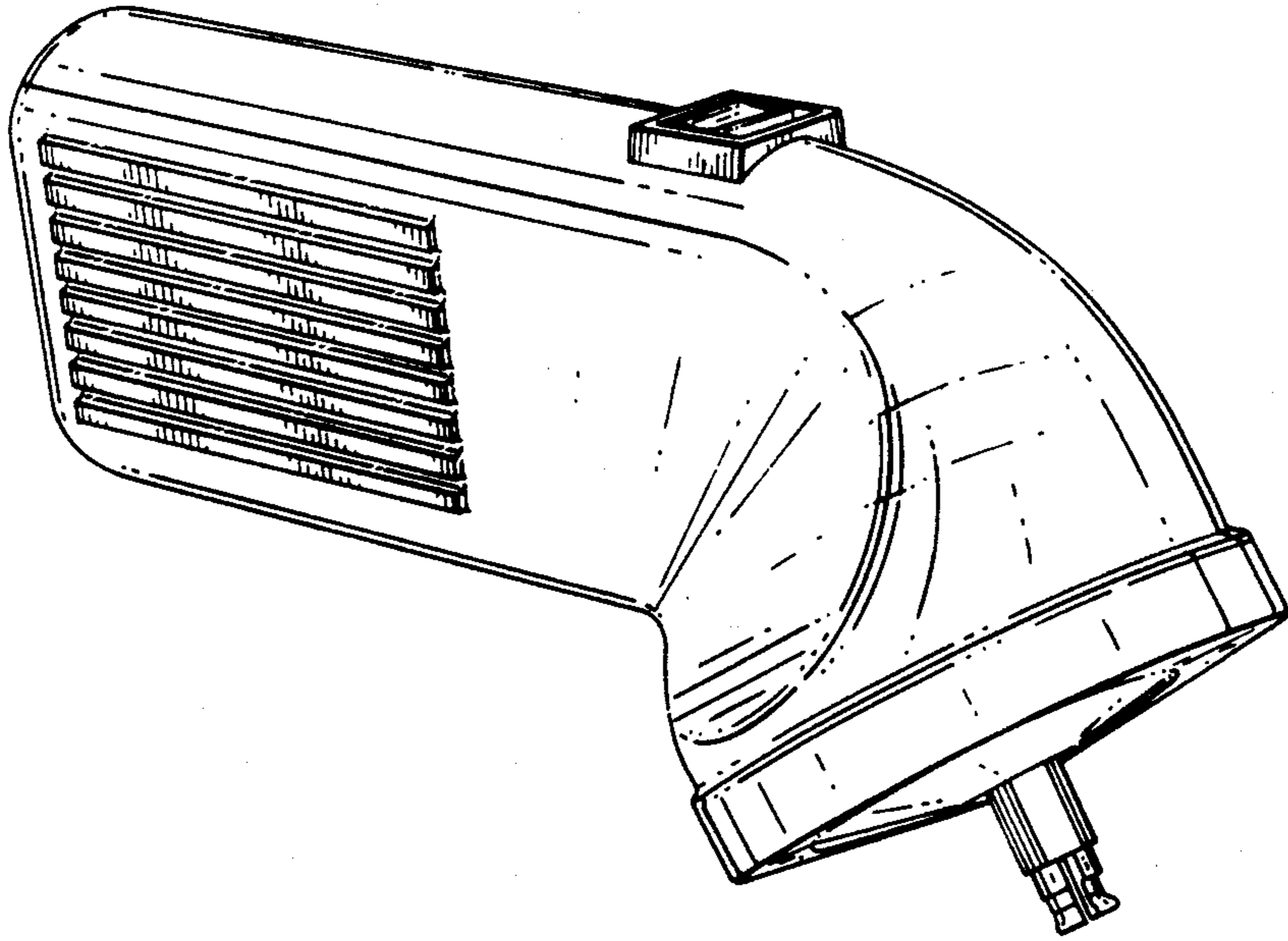
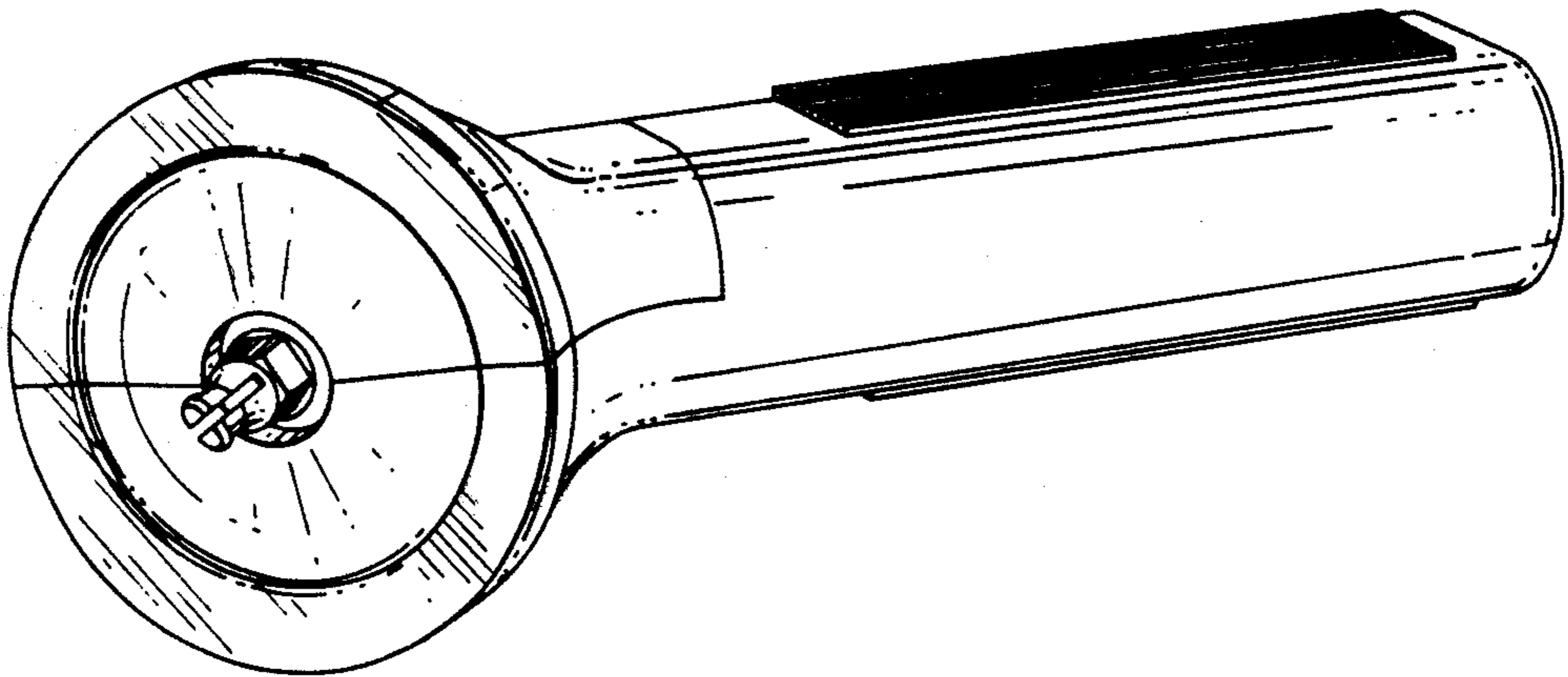


FIG. 3.



UNITED STATES PATENT AND TRADEMARK OFFICE
CERTIFICATE OF CORRECTION

PATENT NO. : D290551
DATED : June 30, 1987
INVENTOR(S) : HUEN, Hing Wah

It is certified that error appears in the above—identified patent and that said Letters Patent is hereby corrected as shown below:

ON THE TITLE PAGE, ITEM [73] should read:

Assignee: -- Fairform Mfg.Co.Ltd., Hong Kong --.

**Signed and Sealed this
Twenty-ninth Day of March, 1988**

Attest:

DONALD J. QUIGG

Attesting Officer

Commissioner of Patents and Trademarks