

[54] HANDLE FOR A SHOE-POLISHING ACCESSORY OR THE LIKE

[75] Inventors: Masao Tsuji, Old Lyme; William J. Rakocy, Madison, both of Conn.

[73] Assignee: North American Philips Corporation, New York, N.Y.

[**] Term: 14 Years

[21] Appl. No.: 670,087

[22] Filed: Nov. 9, 1984

[52] U.S. Cl. D4/102

[58] Field of Search D4/100, 102; 15/21, 15/22, 23, 28, 29

[56] References Cited

U.S. PATENT DOCUMENTS

- D. 196,227 9/1963 Polatchek D4/102
- D. 199,115 9/1964 Wedemeyer D4/102
- D. 199,301 10/1964 Brickman D4/102

- D. 200,293 2/1965 Polatchek D4/102
- D. 203,254 12/1965 Florian D4/102
- D. 207,393 4/1967 Polatchek D4/102
- D. 281,035 10/1985 Herzfeld D4/102
- 2,778,043 1/1957 Arf 15/28

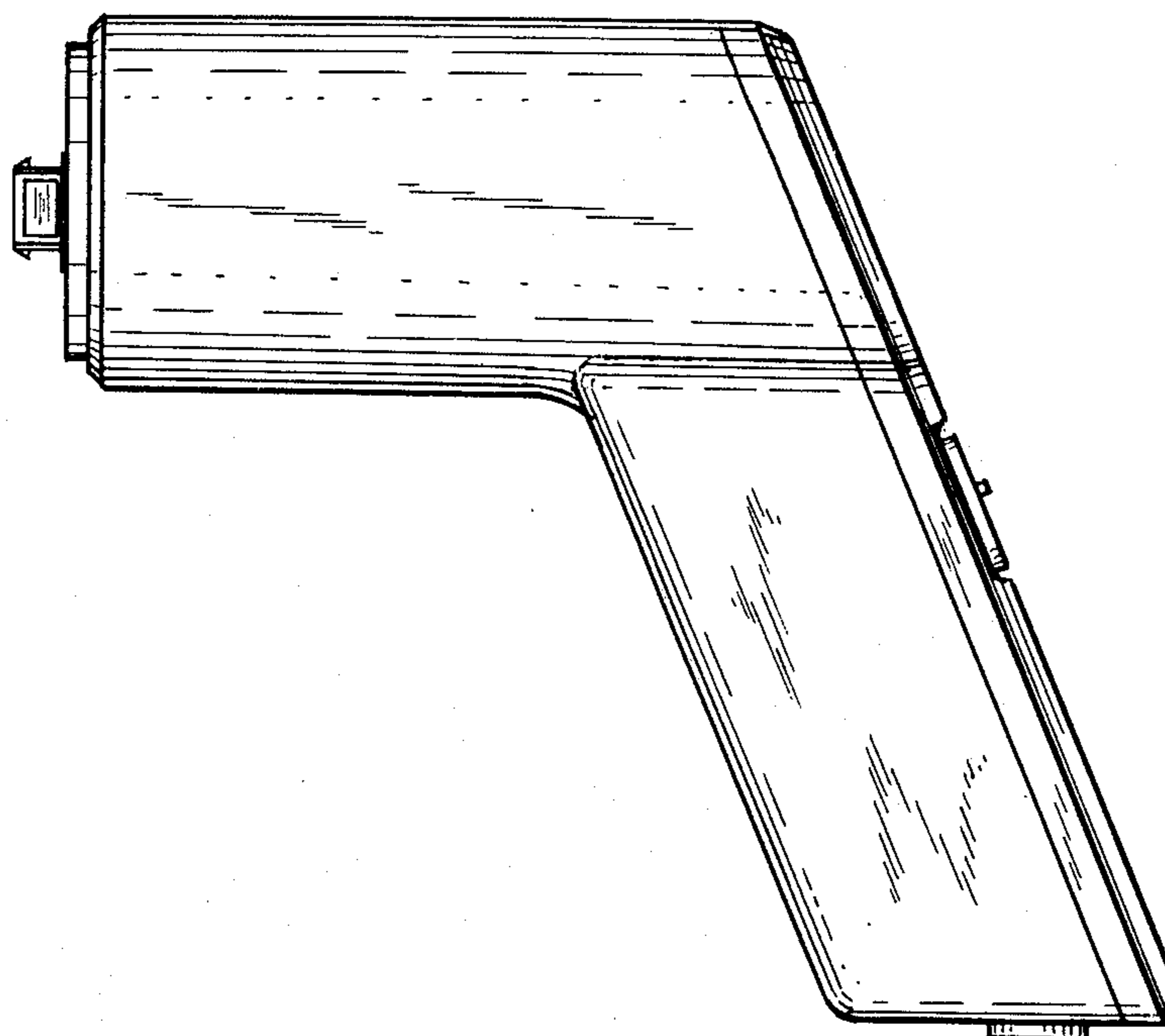
Primary Examiner—Catherine E. Kemper
Attorney, Agent, or Firm—Thomas A. Briody; William J. Streeter; Rolf E. Schneider

[57] CLAIM

The ornamental design for a handle for a shoe-polishing accessory or the like, as shown.

DESCRIPTION

FIG. 1 is a right-side elevational view of a handle for a shoe-polishing accessory or the like showing our new design;
FIG. 2 is a front elevational view thereof;
FIG. 3 is a rear elevational view thereof;
FIG. 4 is a top plan view thereof;
FIG. 5 is a left-side elevational view thereof; and
FIG. 6 is a bottom plan view thereof.



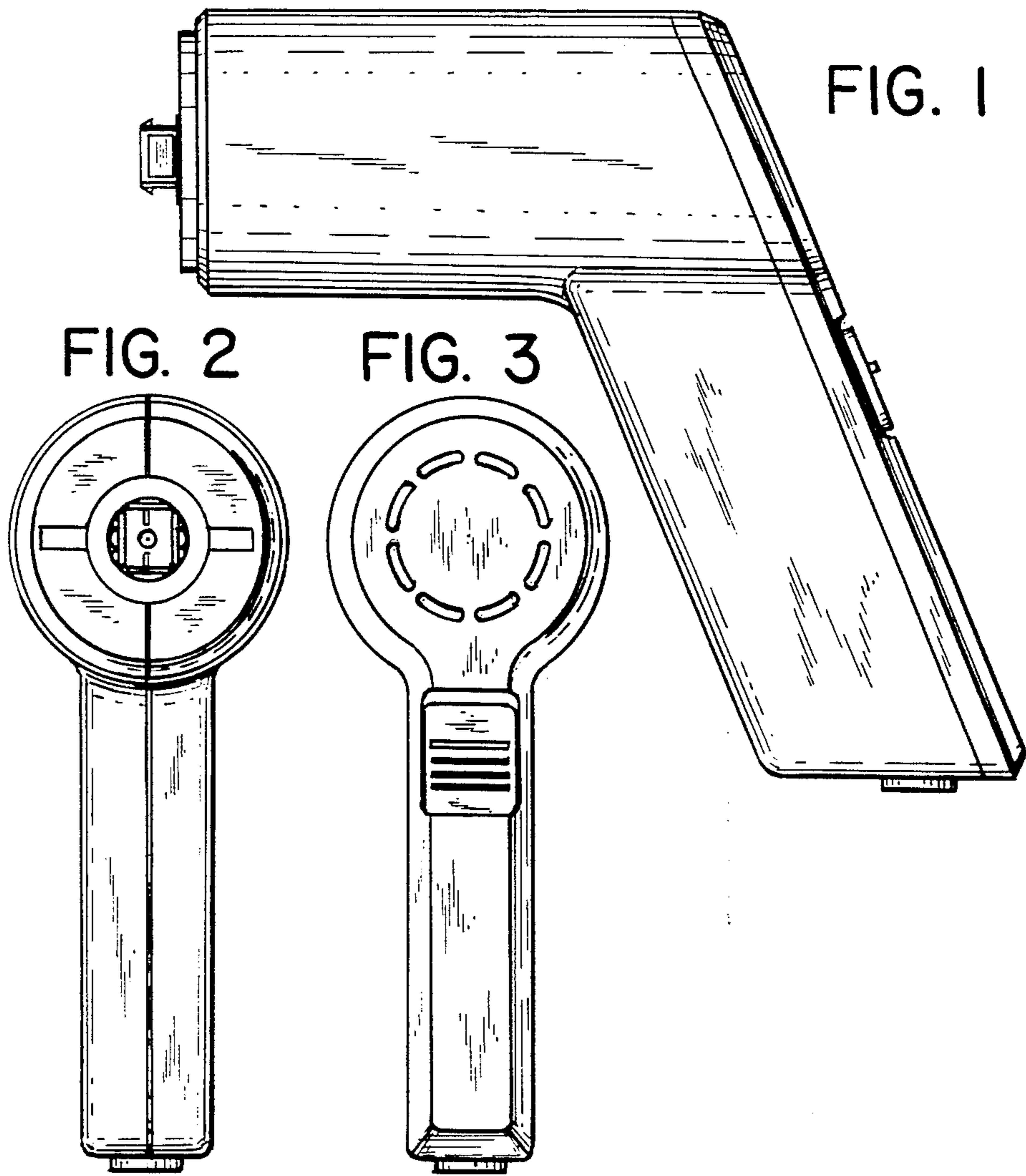


FIG. 4

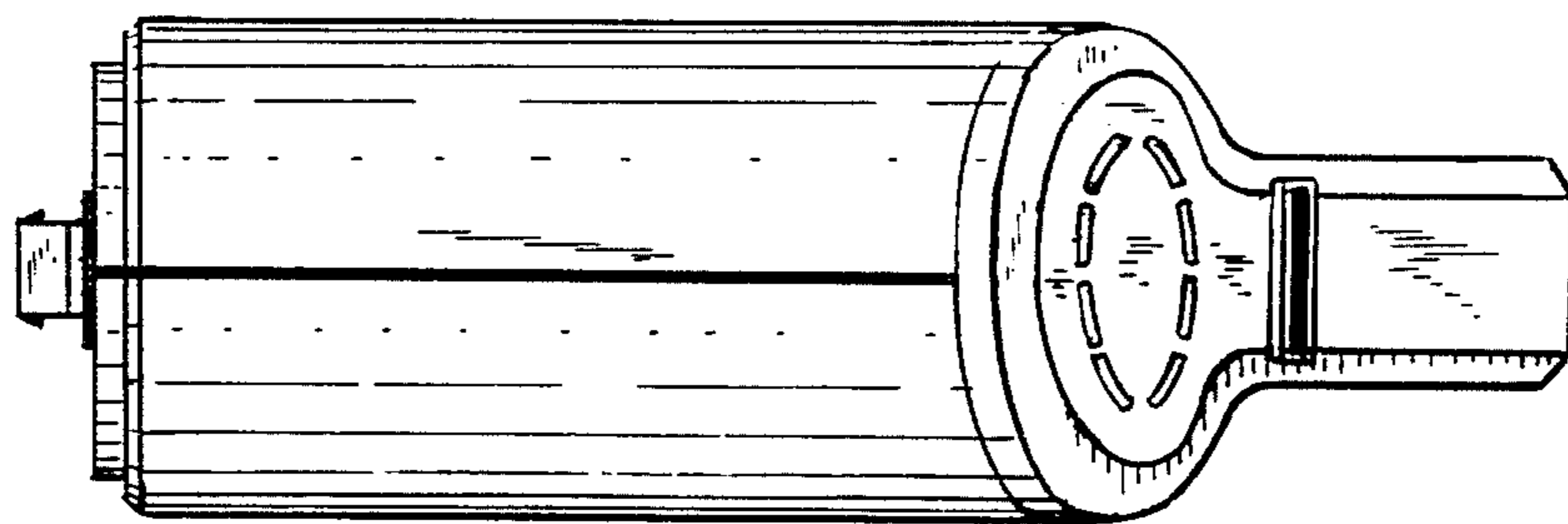


FIG. 5

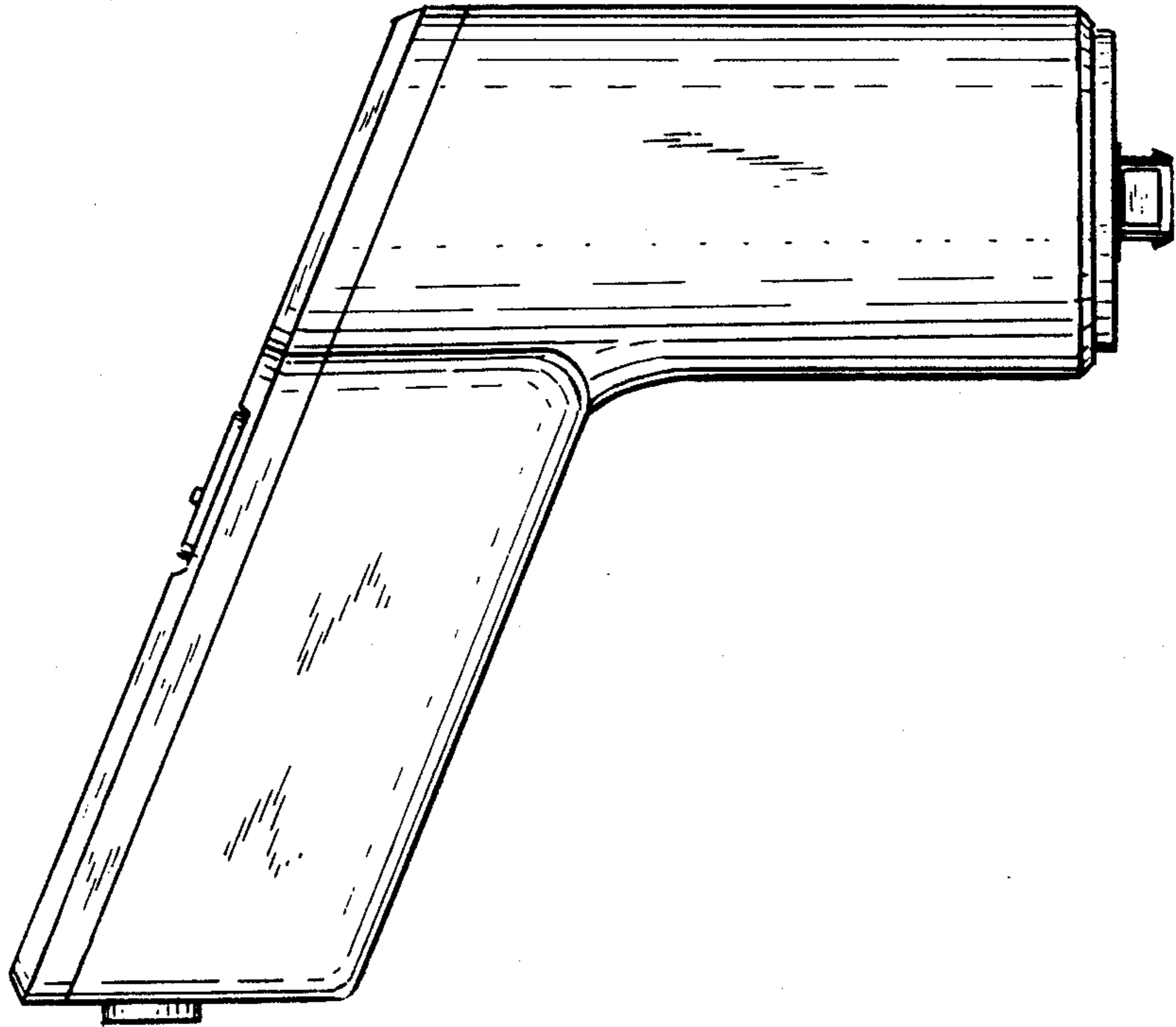


FIG. 6

