

[54] **COMBINED CARRY-OUT HAMPER BAG AND SUPPORT FOR SAME**

[75] **Inventor: Wayne Basore, Mequon, Wis.**

[73] **Assignee: Worldsbest Industries, Inc., Memphis, Tenn.**

[**] **Term: 14 Years**

[21] **Appl. No.: 666,336**

[22] **Filed: Oct. 30, 1984**

[52] **U.S. Cl. D32/37; D34/5; D34/6**

[58] **Field of Search D32/36, 37; D34/5, 6; 232/1 R, 1 B; 248/95, 97, 99**

[56] **References Cited**

U.S. PATENT DOCUMENTS

D. 213,131	1/1969	Hamilton	D32/37
D. 214,586	7/1969	Van Voorhis	D32/36
D. 250,681	1/1979	Mistry	D32/37 X
D. 279,038	5/1985	Thompson, Jr.	D32/37
354,713	12/1886	Lawson .	
526,249	8/1894	Meeker .	
837,148	11/1906	Thompson	248/97
1,181,829	5/1916	Bower .	
1,339,501	5/1920	Dianisha	108/157 X
1,395,166	10/1921	Tomlinson	108/157 X
1,731,341	10/1929	Lantz	248/99
1,792,406	2/1931	Tomlinson	108/157

2,421,221	5/1947	Rothe	232/30 X
2,457,422	12/1948	Warner .	
2,468,897	5/1949	Rothe	232/30 X
2,531,520	11/1950	Sankford, Jr. .	
2,638,399	5/1953	Seymour .	
3,556,395	11/1968	Herman .	
3,819,089	6/1974	Scales .	
3,977,450	8/1976	Schaupier .	
3,995,924	12/1976	Jones .	
4,248,364	2/1981	Anderson .	
4,393,880	7/1983	Taylor .	
4,408,543	10/1983	Griffin	108/64 X

FOREIGN PATENT DOCUMENTS

1467884 12/1966 France 211/206

Primary Examiner—Catherine E. Kemper
Attorney, Agent, or Firm—Milton S. Gerstein; Marvin N. Benn

[57] **CLAIM**

The ornamental design for a combined carry-out hamper bag and support for same, as shown and described.

DESCRIPTION

FIG. 1 is a perspective view of a combined carry-out hamper bag and support for same showing my new design;
 FIG. 2 is a side elevational view thereof;
 FIG. 3 is a top plan view thereof; and
 FIG. 4 is a front elevational view thereof.

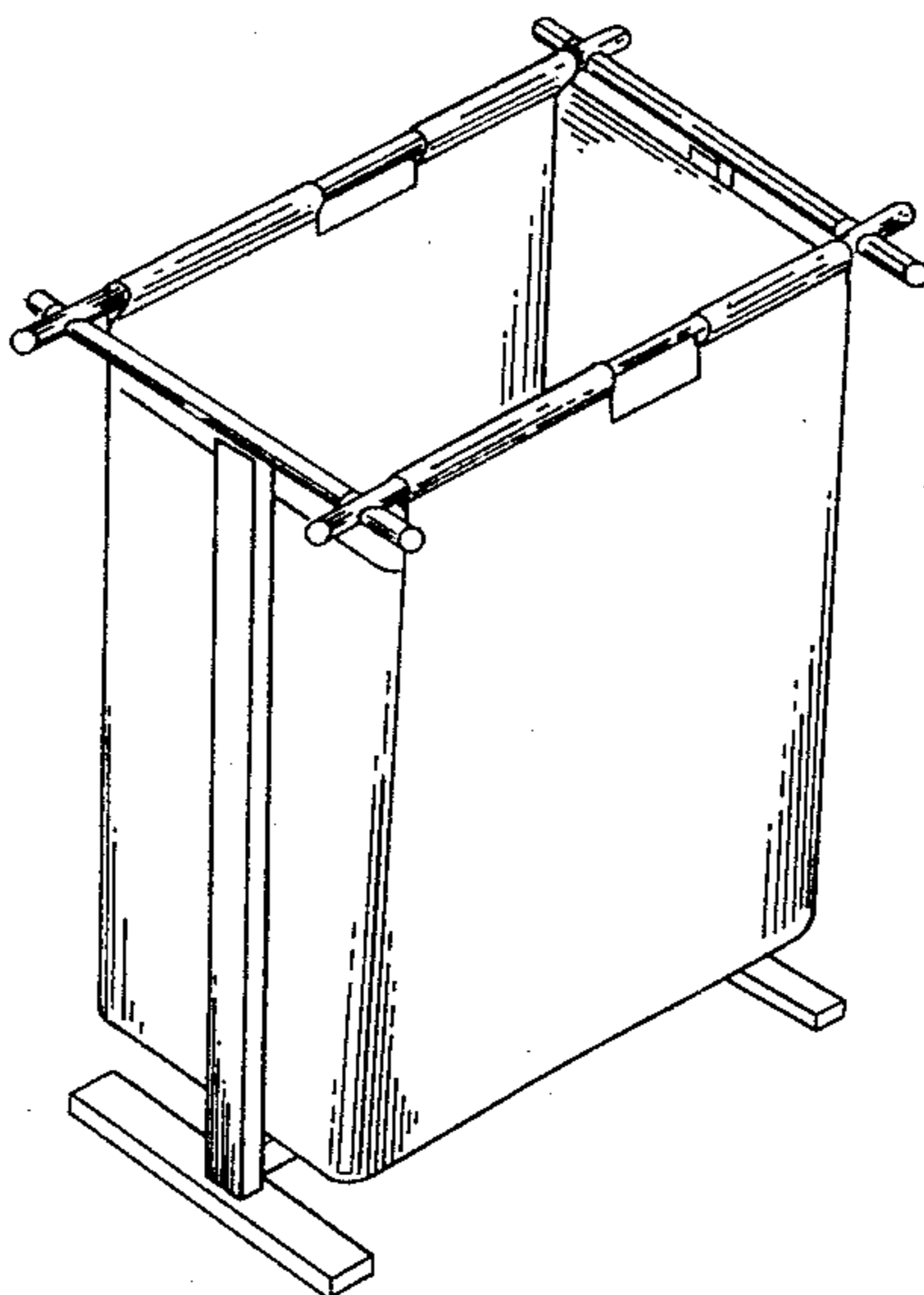


FIG. 1

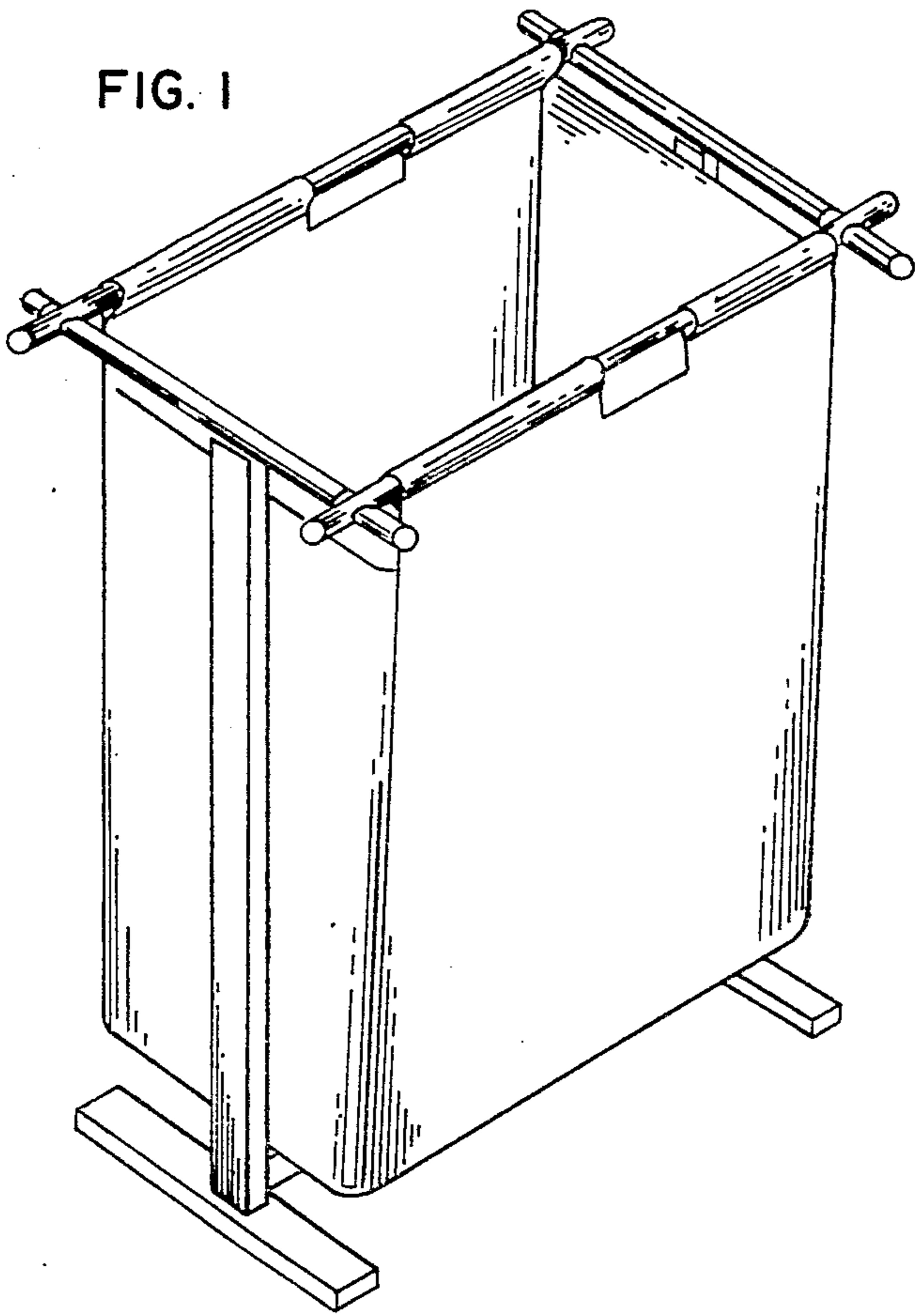


FIG. 2

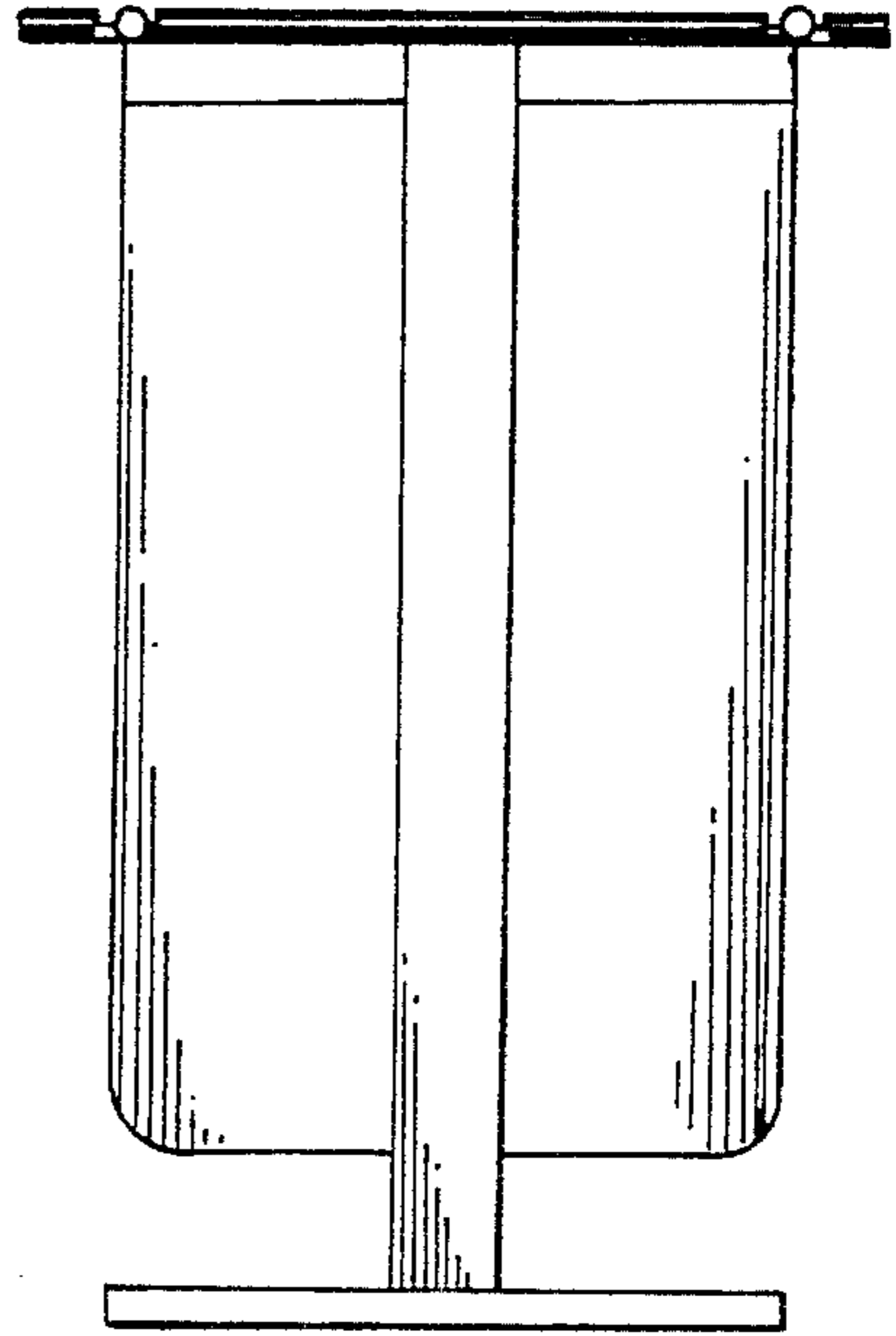


FIG. 3

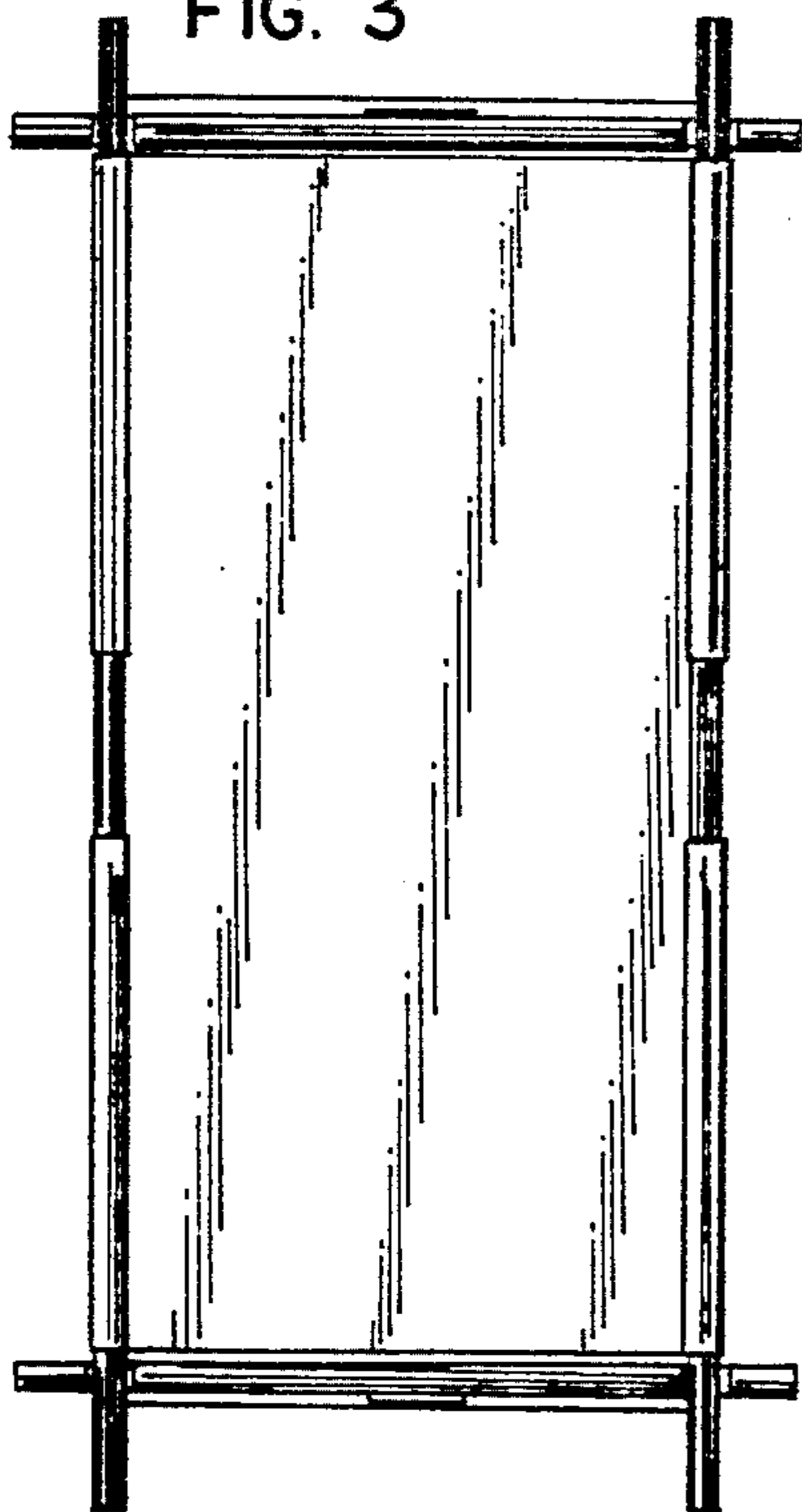


FIG. 4

