

[54] ELECTRIC SHAVER

[75] Inventors: Florian Seiffert, Wiesbaden, Fed. Rep. of Germany; Noboru Abe, Suita, Japan

[73] Assignee: Matsushita Electric Works, Ltd., Osaka, Japan

[\*\*] Term: 14 Years

[21] Appl. No.: 707,141

[22] Filed: Mar. 1, 1985

[30] Foreign Application Priority Data

Oct. 5, 1984 [JP] Japan ..... 59-41642

[52] U.S. Cl. .... D28/49

[58] Field of Search ..... D28/44-51; 30/32, 34 R, 34.1, 41.9, 42, 44, 45, 43-43.92, 84-86, 90

[56] References Cited

U.S. PATENT DOCUMENTS

- D. 211,553 6/1968 Koroncai ..... D28/51
- D. 213,664 3/1969 Schellens ..... D28/51

- D. 248,579 7/1978 Gotoh et al. .... D28/49
- D. 248,973 8/1978 Ito ..... D28/49
- D. 268,371 3/1983 Iwai et al. .... D28/49
- 1,682,794 9/1928 Moore ..... 30/34 R

Primary Examiner—Louis S. Zarfes  
Attorney, Agent, or Firm—Burns, Doane, Swecker & Mathis

[57] CLAIM

The ornamental design for an electric shaver, substantially as shown and described.

DESCRIPTION

FIG. 1 is a front elevational view of an electric shaver showing our new design;  
 FIG. 2 is a rear elevational view thereof;  
 FIG. 3 is a top plan view thereof;  
 FIG. 4 is a bottom plan view thereof;  
 FIG. 5 is a left side elevational view thereof;  
 FIG. 6 is a right side elevational view thereof;  
 FIG. 7 is a longitudinal section taken on the center line A-A' of FIG. 1; and  
 FIG. 8 is a transverse section taken on the line B-B' of FIG. 2.

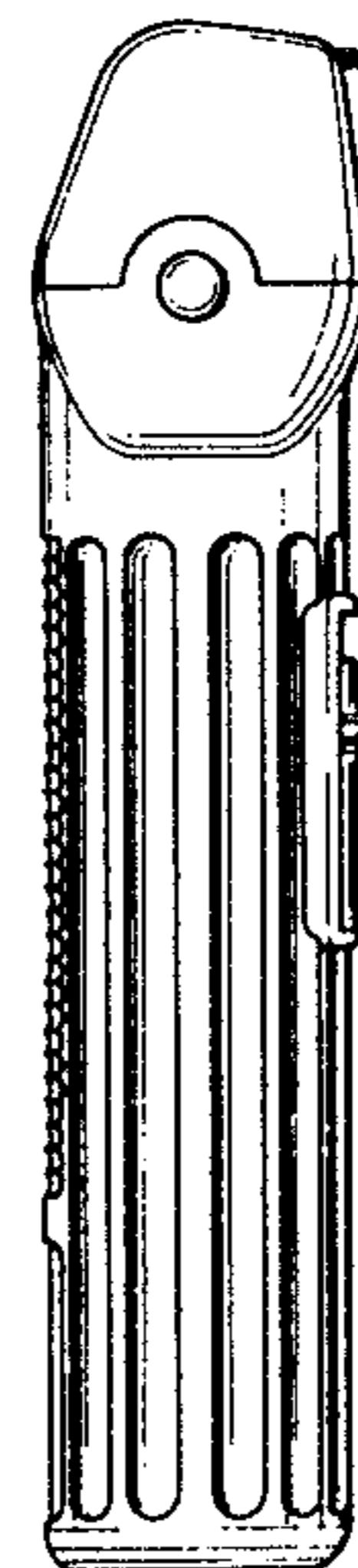
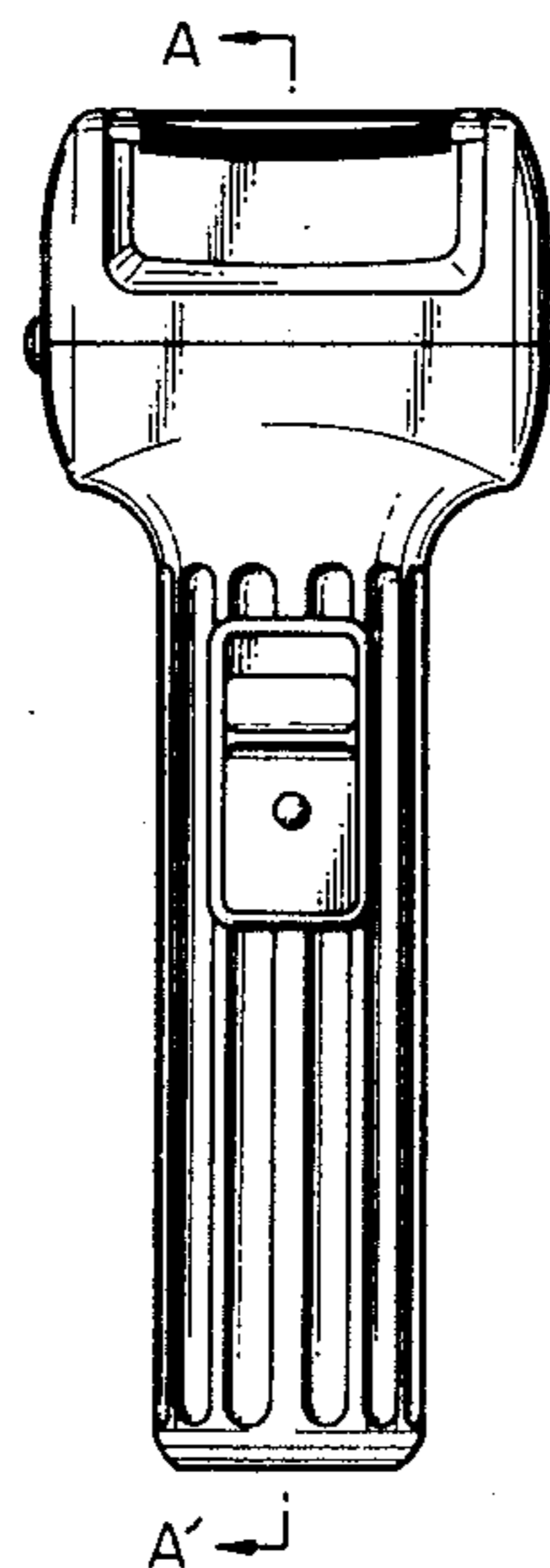


Fig. 1

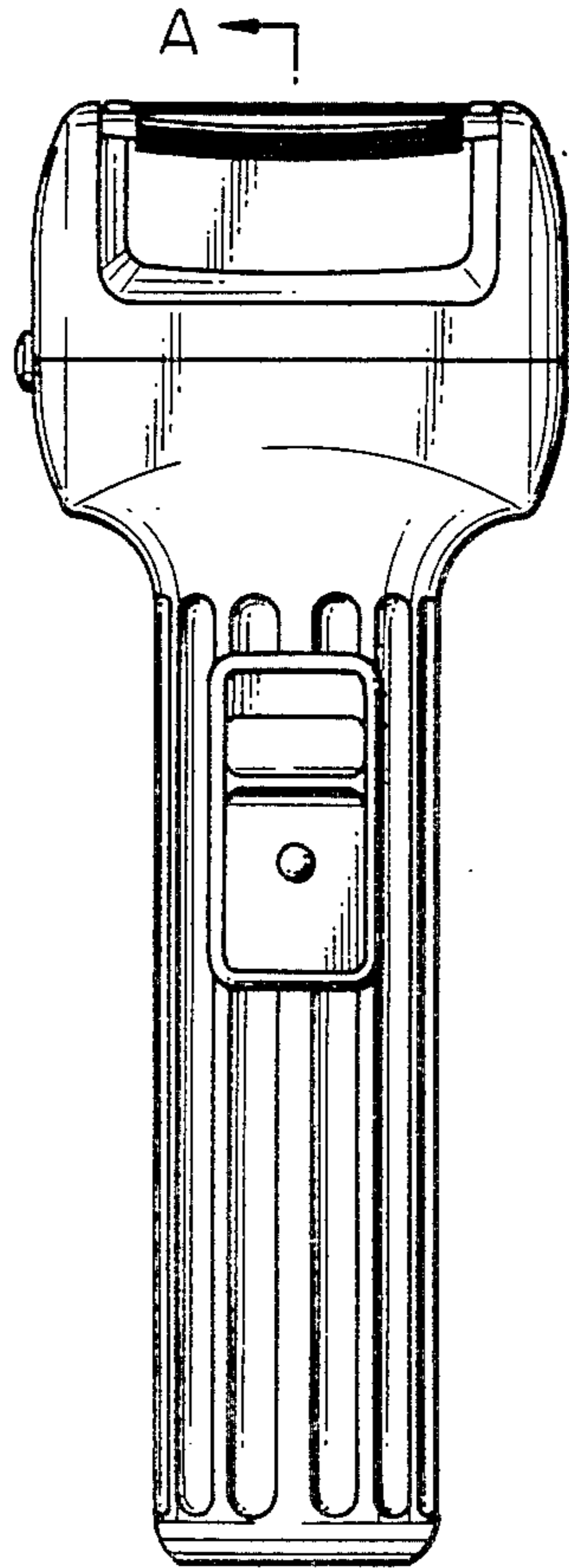
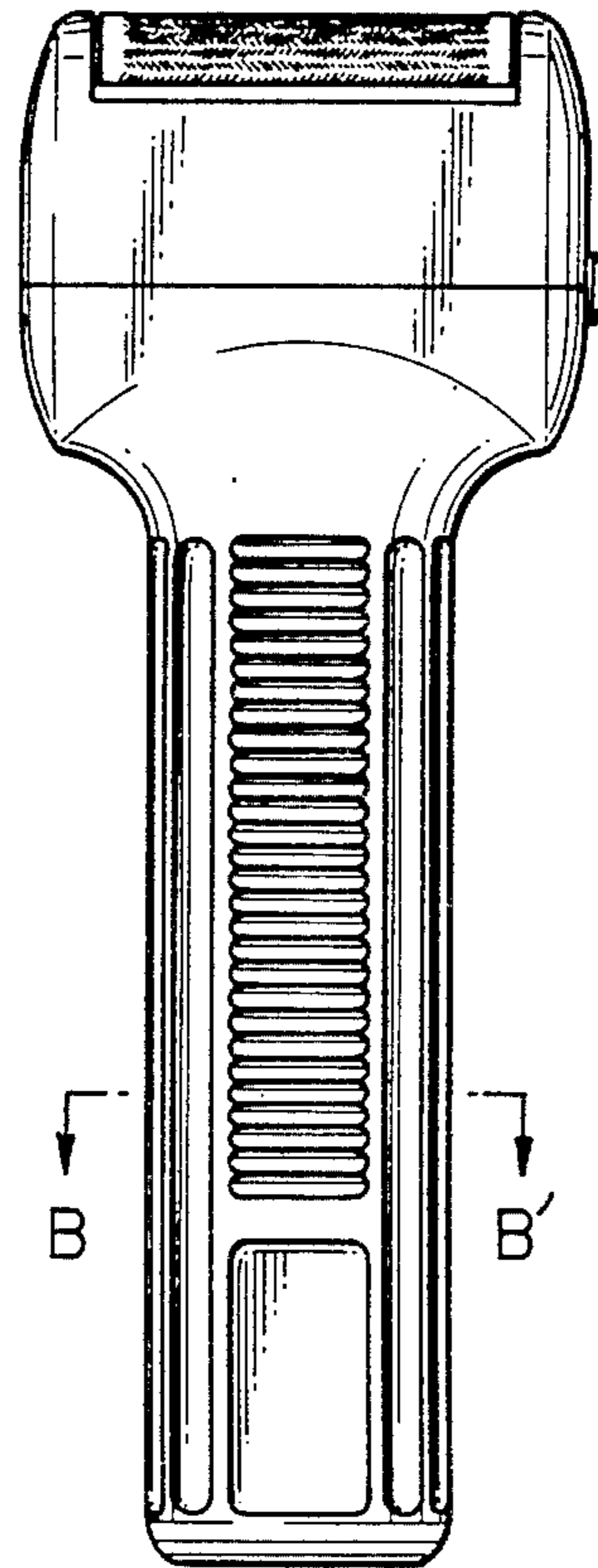


Fig. 2



A' ←

Fig. 3

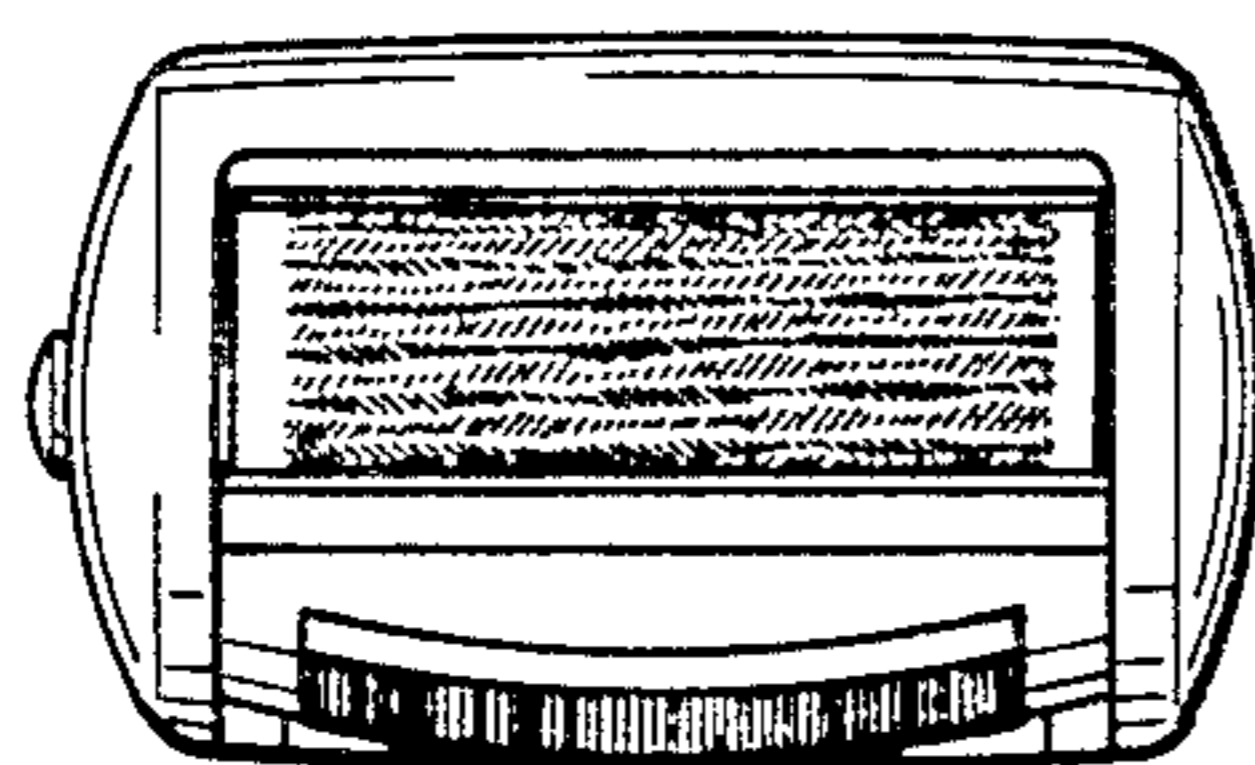


Fig. 4

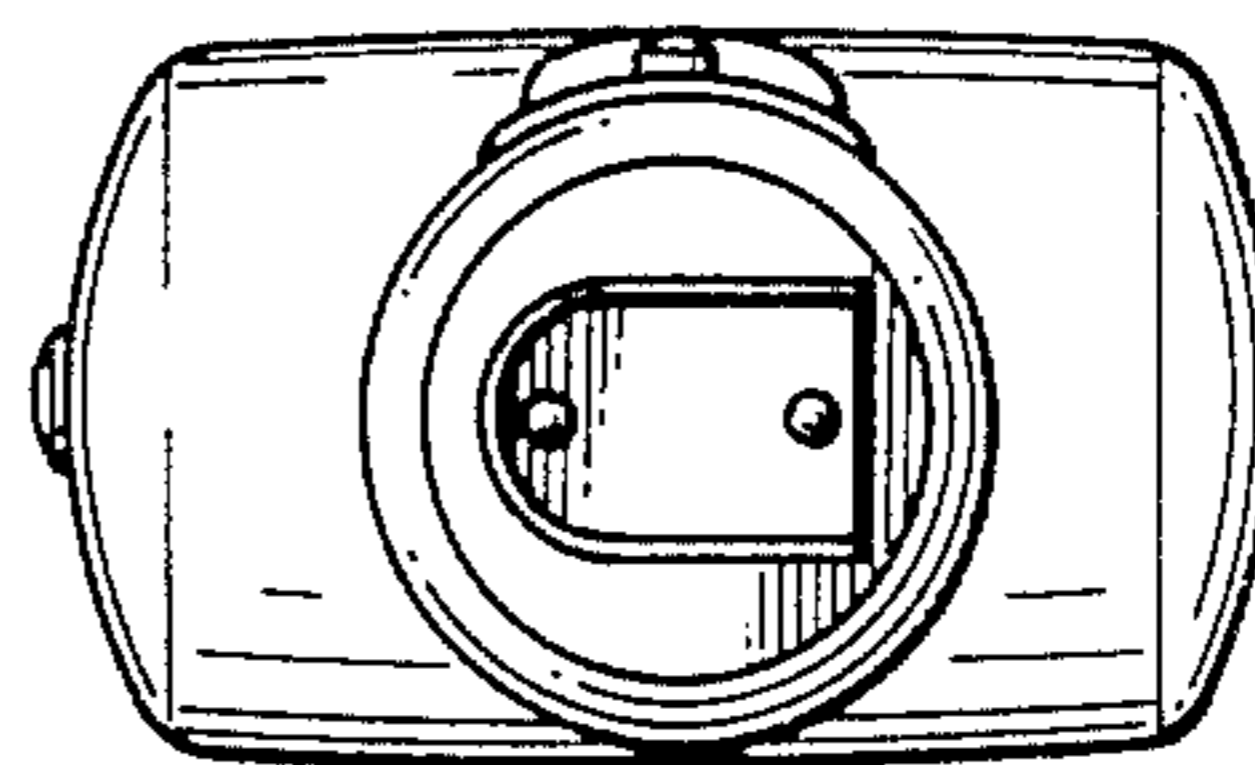


Fig. 5

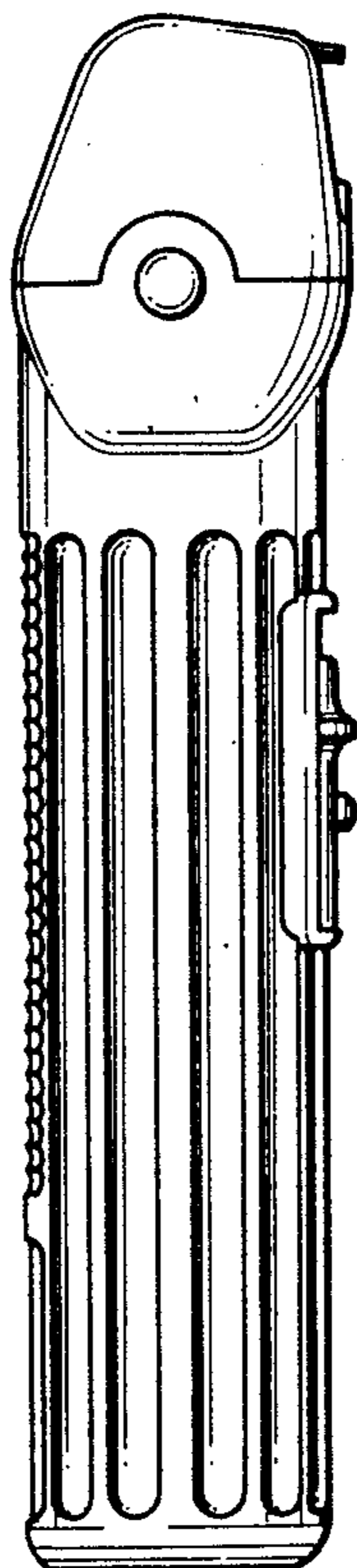


Fig. 6

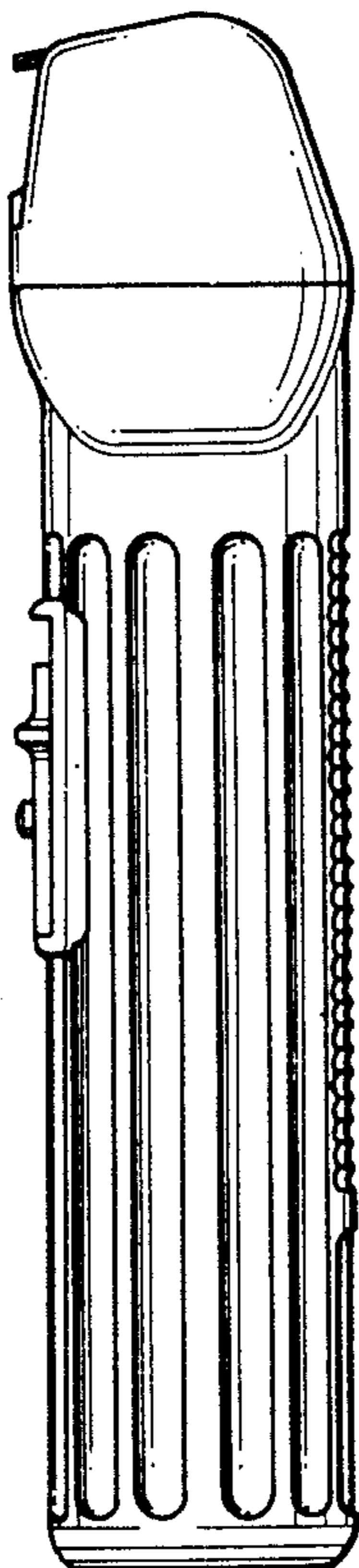


Fig. 7

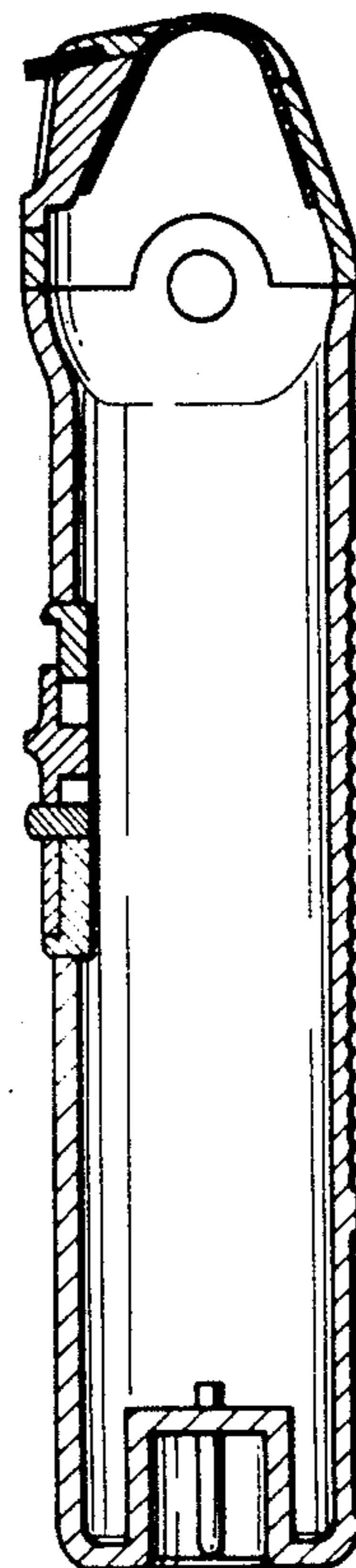


Fig. 8

