

[54] HAIRSETTER

[75] Inventor: John Wistrand, New Canaan, Conn.

[73] Assignee: Clairol Incorporated, New York, N.Y.

[\*\*] Term: 14 Years

[21] Appl. No.: 697,088

[22] Filed: Jan. 31, 1985

[52] U.S. Cl. .... D28/38

[58] Field of Search ..... D28/9-11, D28/35, 38, 73; 219/222, 242; 132/1 R, 7, 9

[56] References Cited

U.S. PATENT DOCUMENTS

- D. 217,204 4/1970 Pederson ..... D28/38
- 3,585,357 6/1971 Mandell ..... D28/38 X

OTHER PUBLICATIONS

Mademoiselle, 9/1968, p. 200—Clairol Swing Setter at bottom right.

Primary Examiner—Louis S. Zarfes  
Attorney, Agent, or Firm—G. Warzecha

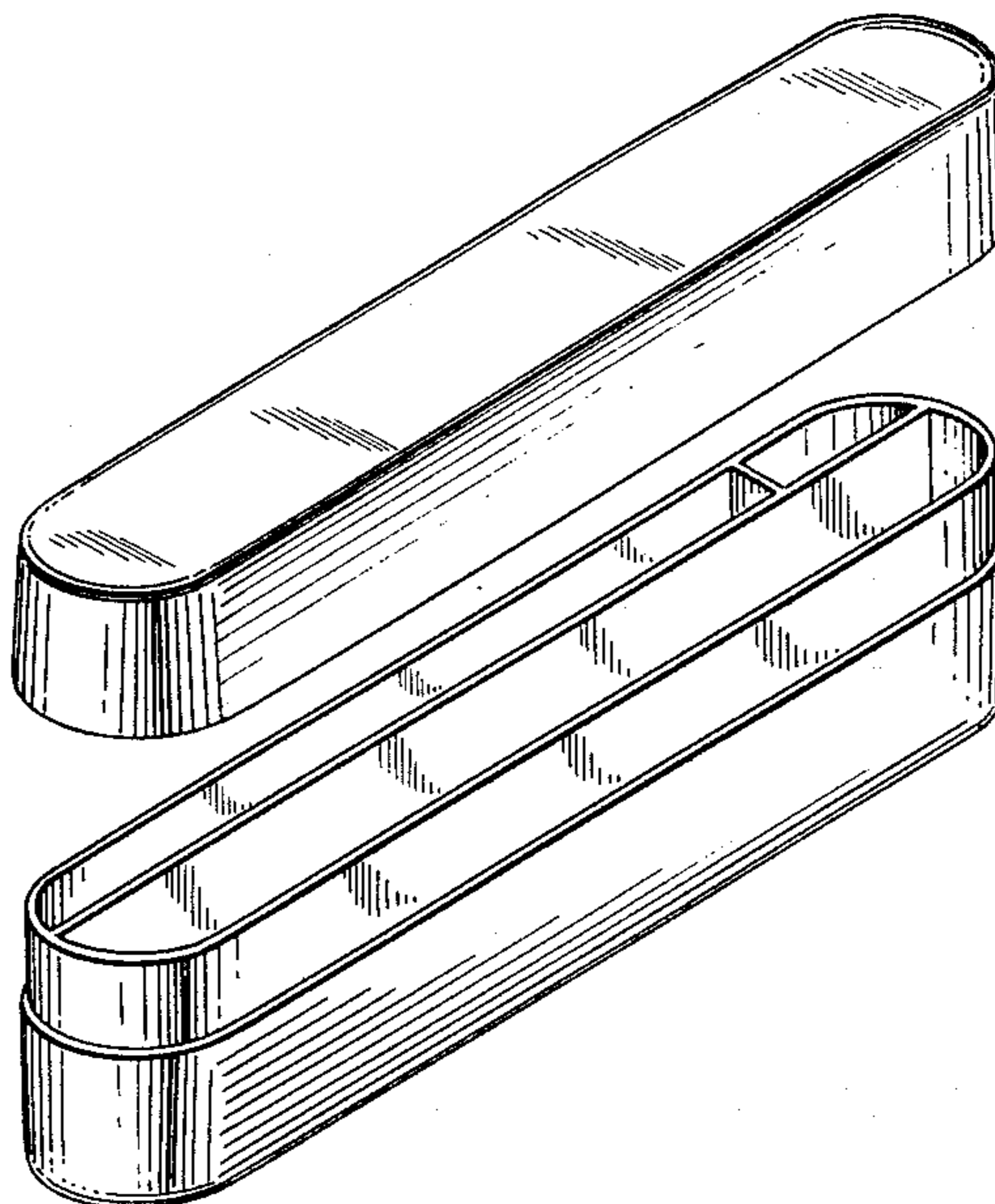
[57] CLAIM

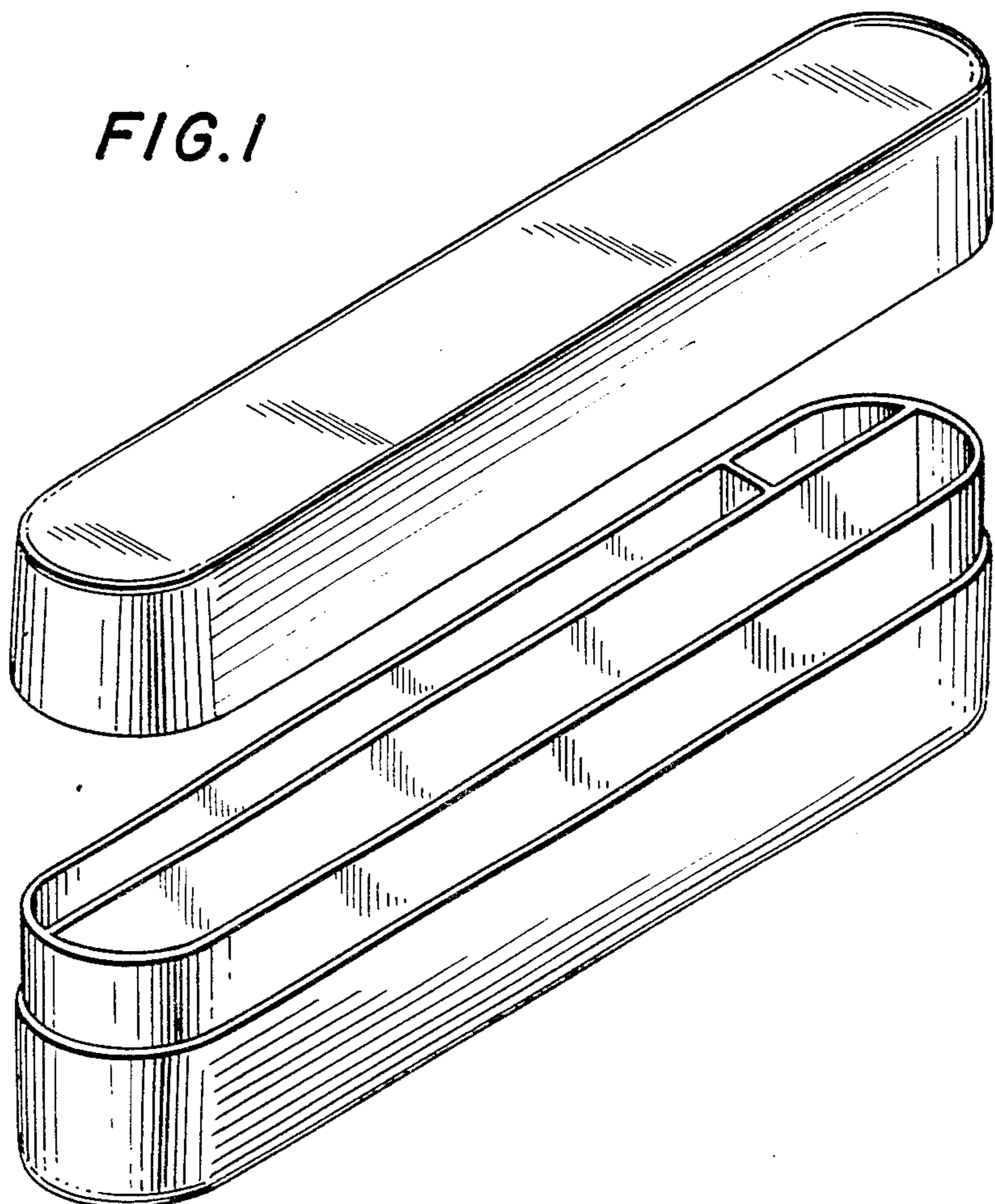
The ornamental design for a hairsetter, as shown and described.

DESCRIPTION

FIG. 1 is a perspective view of the hairsetter showing my new design with the cover displaced from the base; FIG. 2 is a side elevational view thereof with the cover closed; FIG. 3 is a top plan view thereof; FIG. 4 is a front elevational view thereof; FIG. 5 is a bottom plan view thereof; and FIG. 6 is a top plan view of the hairsetter with the cover removed.

The broken line showing of electrical sockets for rollers in FIG. 6 is for illustrative purposes only and forms no part of the claimed design.





*FIG. 2*

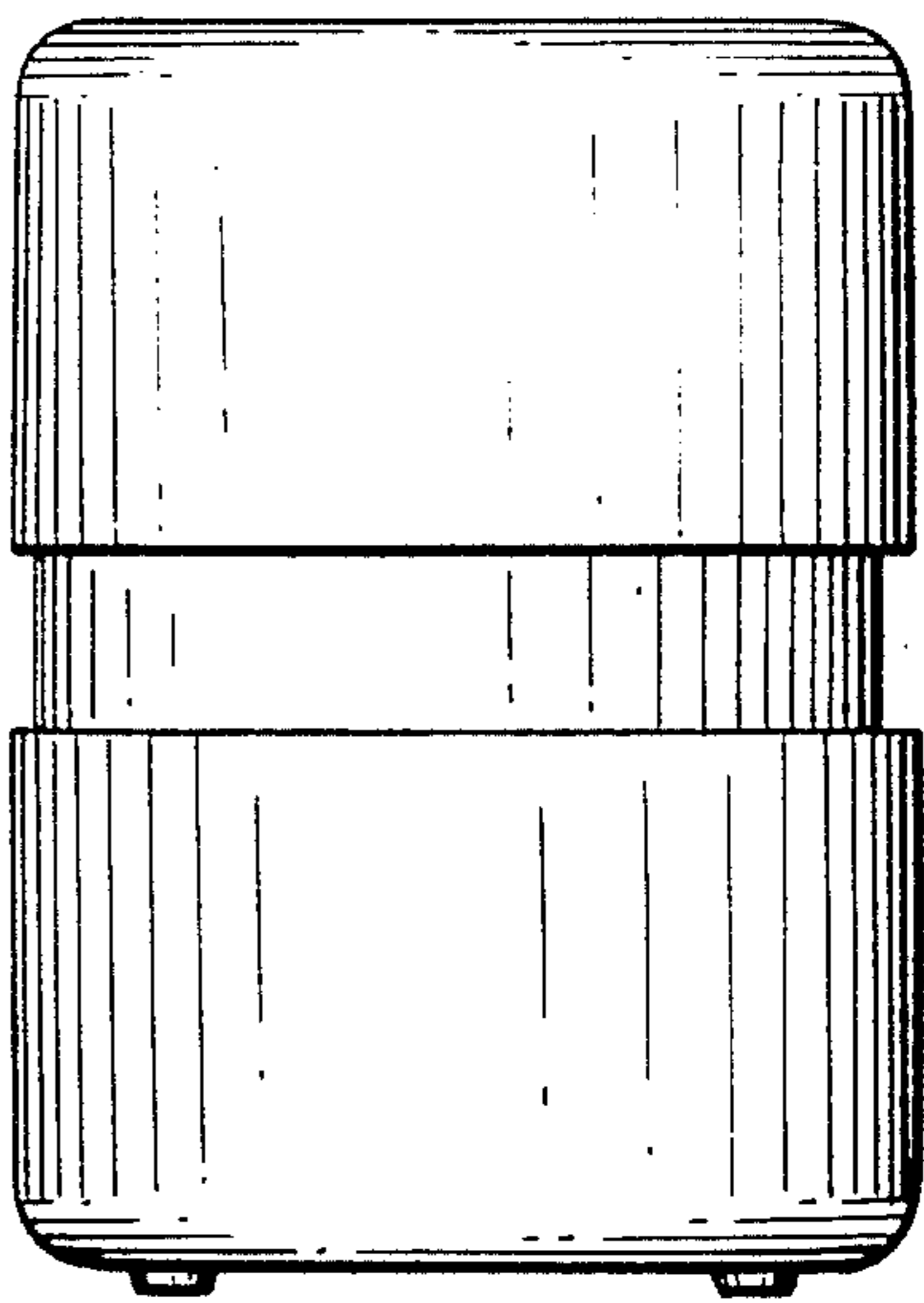


FIG. 3

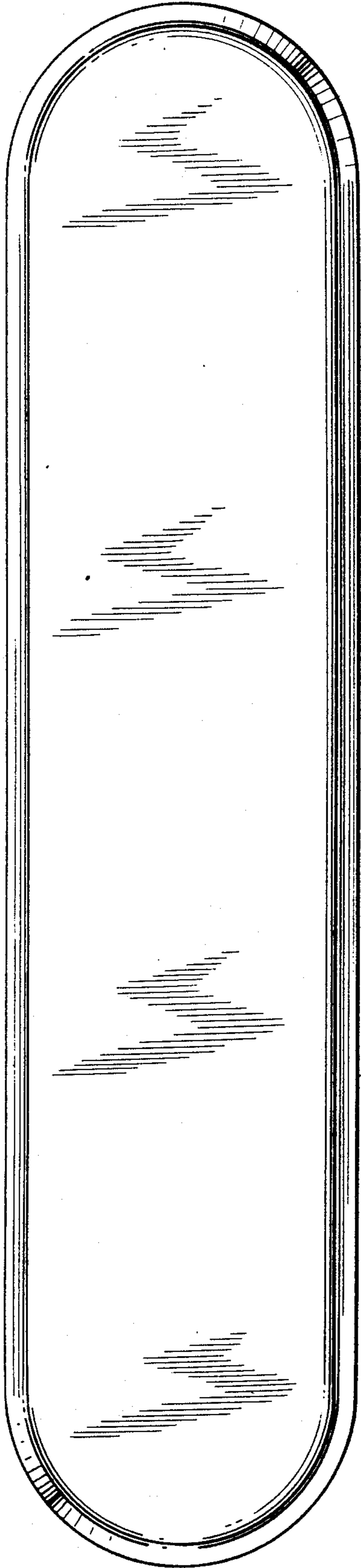


FIG. 4

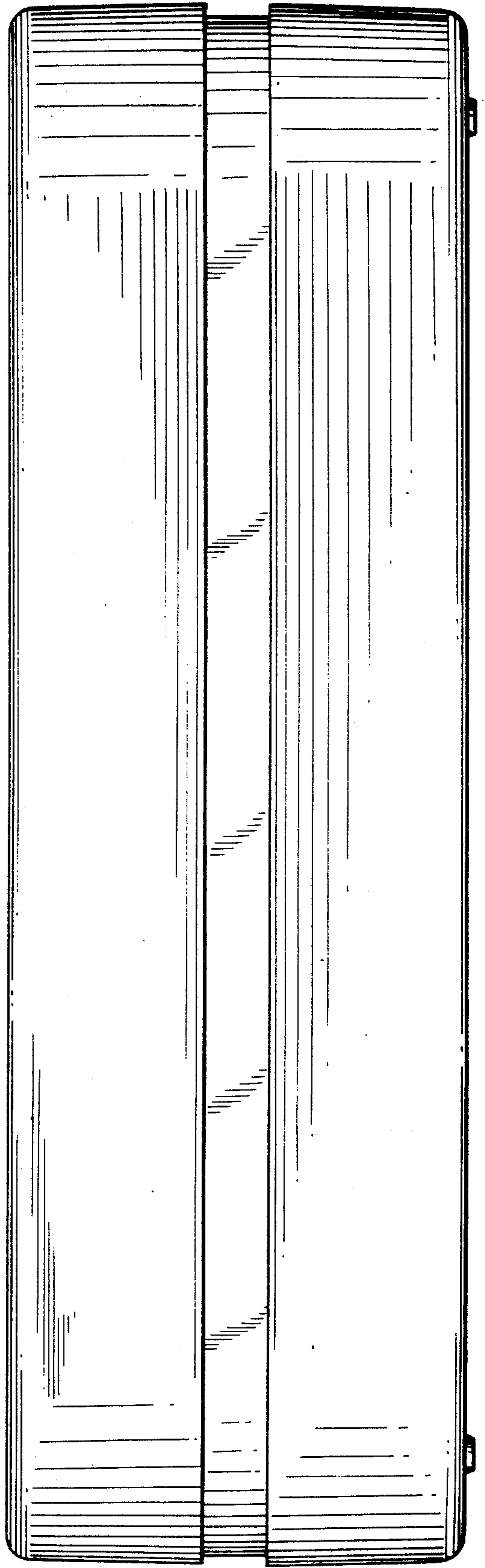


FIG. 5

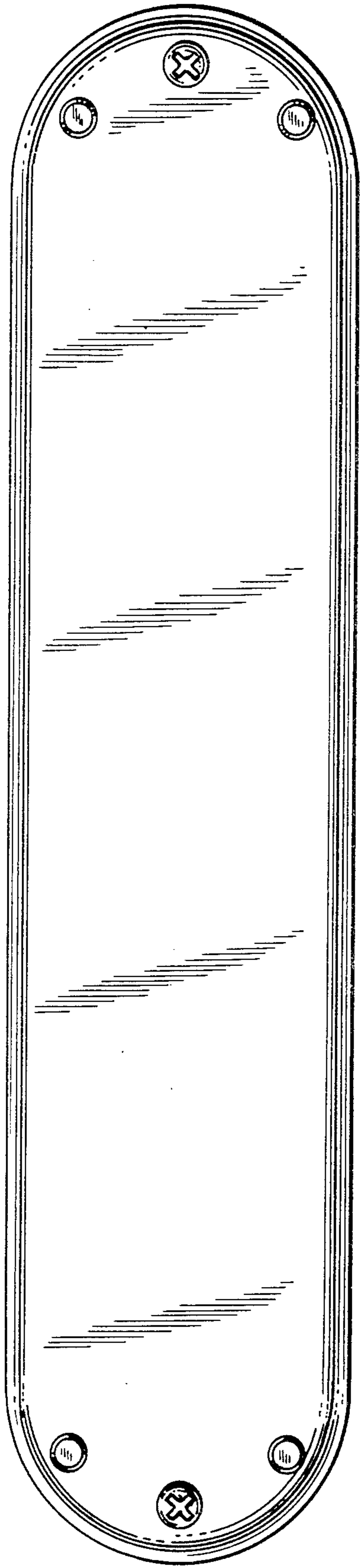


FIG. 6

