

[54] **HAIR DRYER**

[75] **Inventor: Ronald L. Muller, Old Saybrook, Conn.**

[73] **Assignee: North American Philips Corporation, New York, N.Y.**

[**] **Term: 14 Years**

[21] **Appl. No.: 709,011**

[22] **Filed: Mar. 7, 1985**

[52] **U.S. Cl. D28/13**

[58] **Field of Search D28/9-19; 34/96-101; 219/222, 223; 132/1 R, 7, 9**

[56]

References Cited

U.S. PATENT DOCUMENTS

D. 248,169 6/1978 Yamamoto D28/13
2,573,445 10/1951 Hutcheson D28/12 X

Primary Examiner—Louis S. Zarfes
Attorney, Agent, or Firm—Thomas A. Briody; William J. Streeter; Rolf E. Schneider

[57]

CLAIM

The ornamental design for a hair dryer, as shown and described.

DESCRIPTION

FIG. 1 is a right-side elevational view of a hair dryer showing my new design;
FIG. 2 is a front elevational view thereof;
FIG. 3 is a top plan view thereof;
FIG. 4 is a left-side elevational view thereof;
FIG. 5 is a rear elevational view thereof; and
FIG. 6 is a bottom plan view thereof.

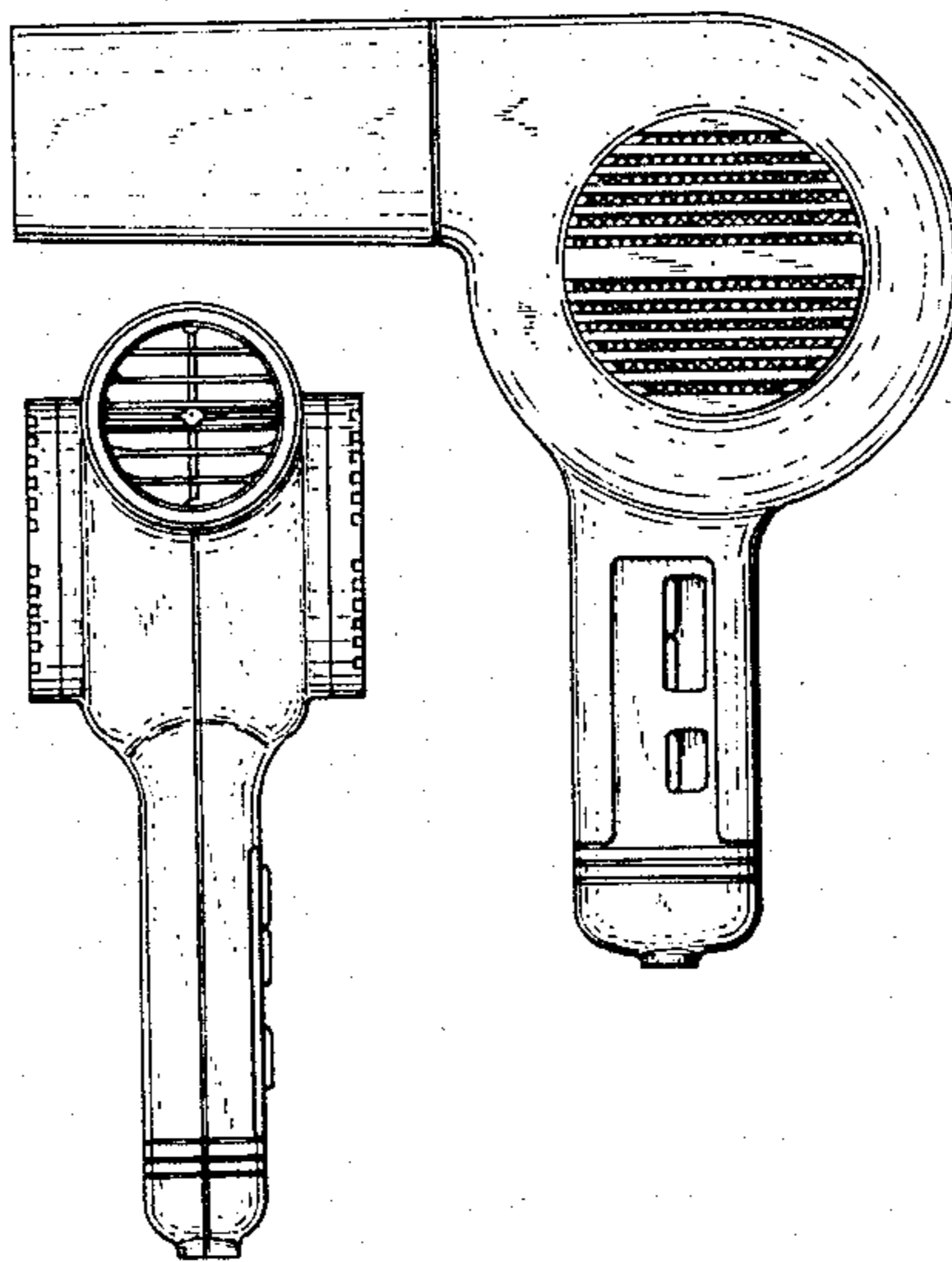


FIG. 1

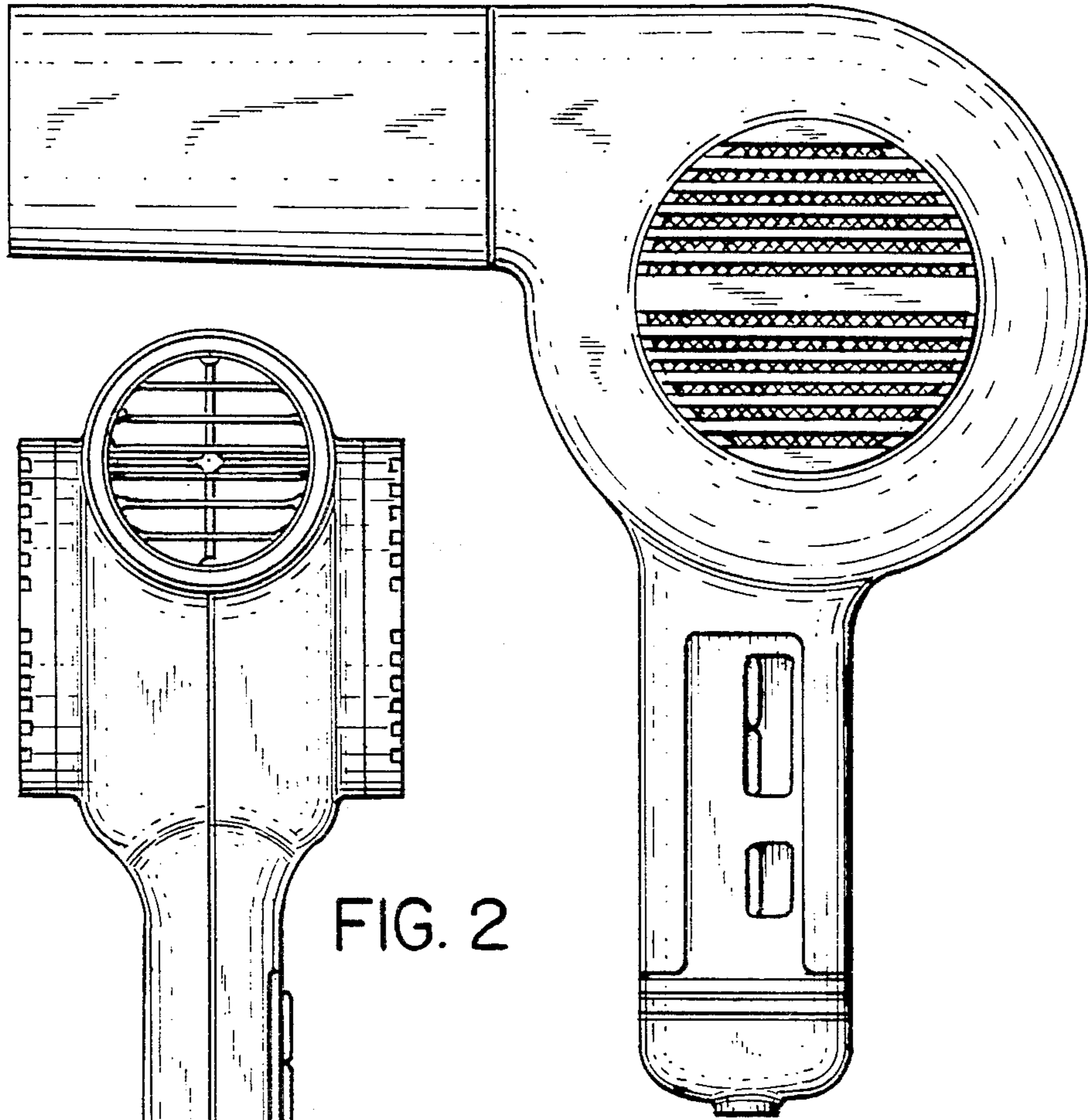


FIG. 2

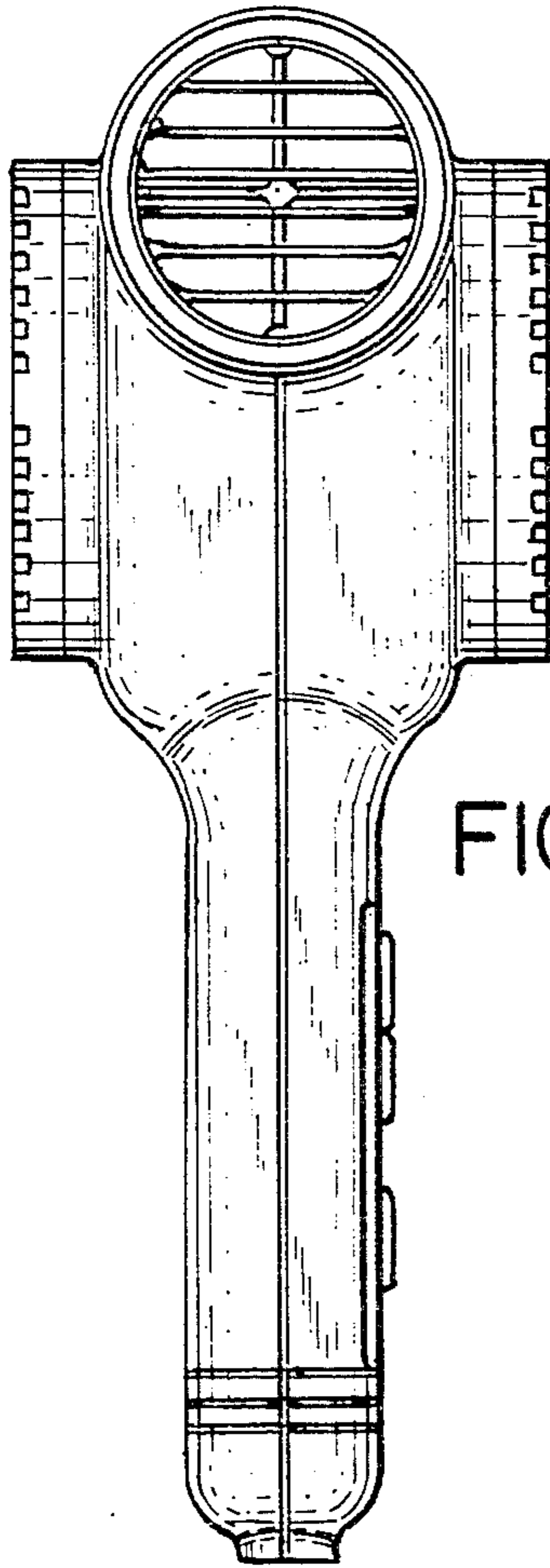


FIG. 3

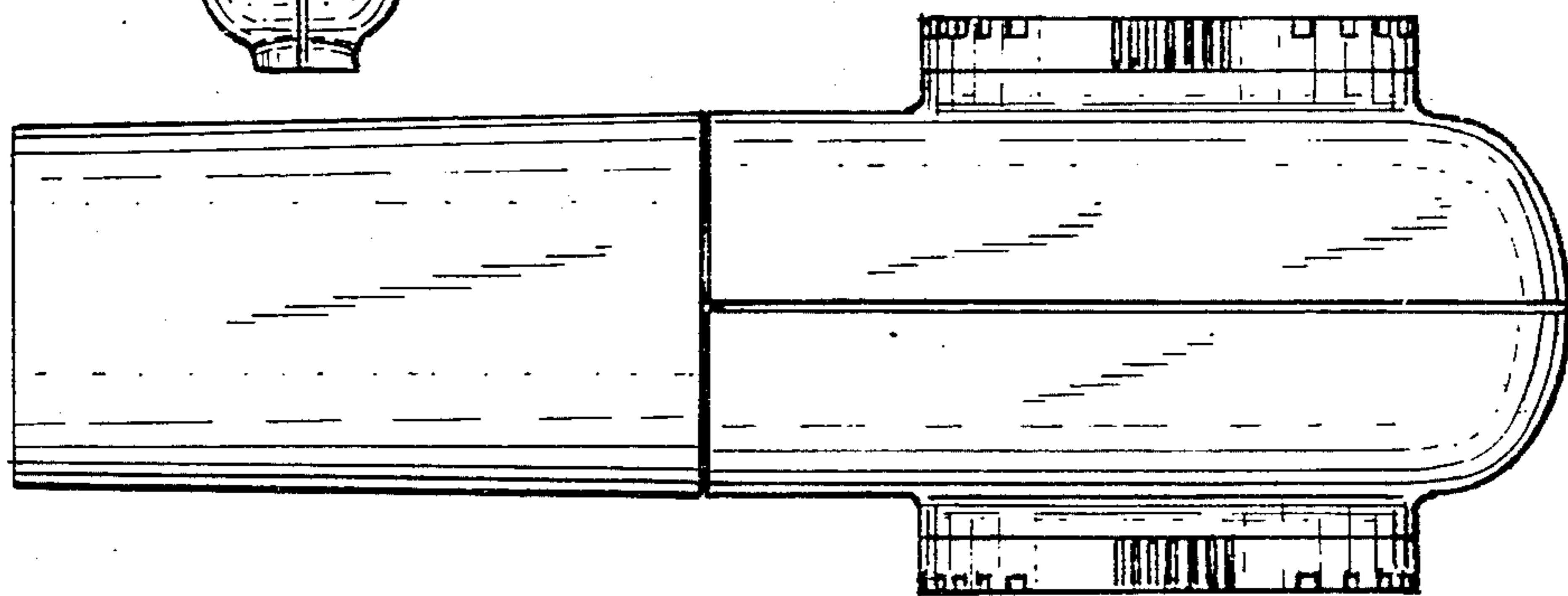


FIG. 4

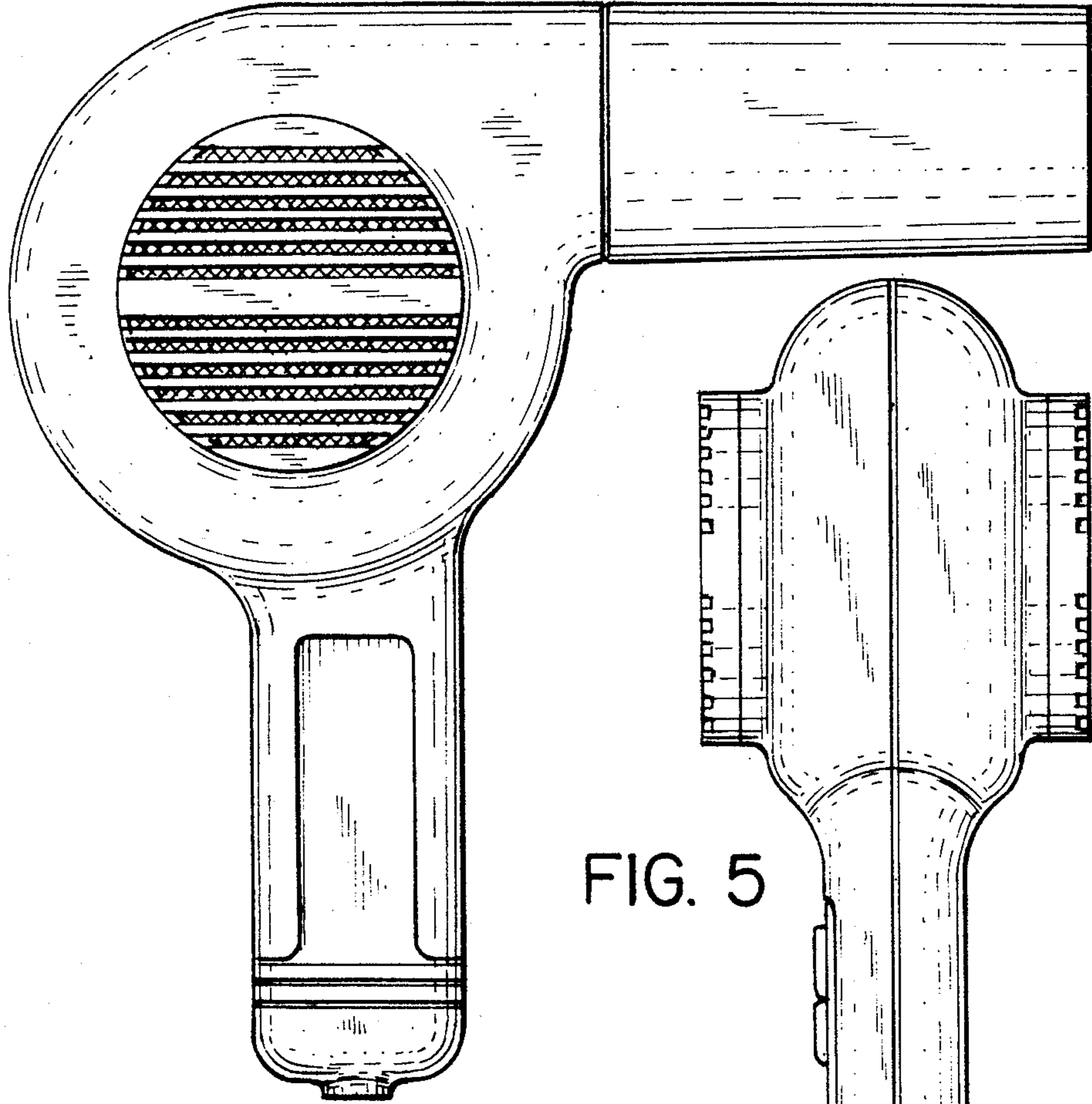


FIG. 5

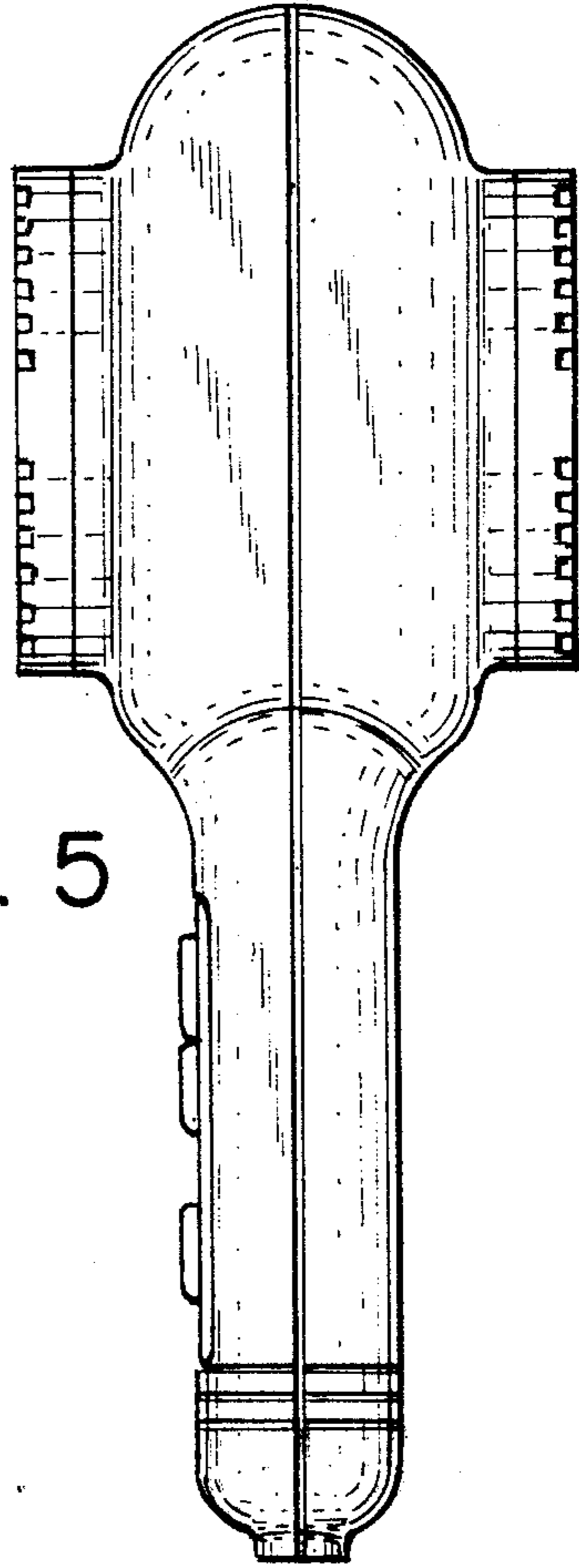


FIG. 6

