

[54] TRACK LIGHT TRANSFORMER

[75] Inventor: Raymond J. Kusmer, Elgin, Ill.

[73] Assignee: Cooper Industries, Houston, Tex.

[**] Term: 14 Years

[21] Appl. No.: 579,400

[22] Filed: Feb. 13, 1985

[52] U.S. Cl. D26/138; D13/24

[58] Field of Search D26/24, 60-66, D26/113, 138, 140; 362/404, 408, 362, 269, 297, 310, 157; D13/24; 174/50, 52, 61, 62, 63; 339/21 R, 22 R, 22 B

[56] References Cited

U.S. PATENT DOCUMENTS

- D. 247,171 2/1978 Berkenhoff D13/24
- D. 264,206 5/1982 Heritage D13/24
- 3,197,545 7/1965 Moore 174/52 R

- 3,919,459 11/1975 Van Steenhoven 174/50 X
- 4,414,617 11/1983 Galindo D26/61

OTHER PUBLICATIONS

Harry Gitlin Inc. Lighting Track System LL21004 brochure, p. 2, Transformer.

Primary Examiner—Susan J. Lucas
Attorney, Agent, or Firm—E. E. Scott; A. R. Thiele

[57] CLAIM

The ornamental design for the track light transformer, substantially as shown and described.

DESCRIPTION

FIG. 1 is a top perspective view of the track light transformer showing my new design;
 FIG. 2 is a bottom perspective view thereof;
 FIGS. 3 and 4 are respectively right and left end elevational views thereof;
 FIG. 5 is a top plan view thereof;
 FIG. 6 is a bottom plan view thereof.

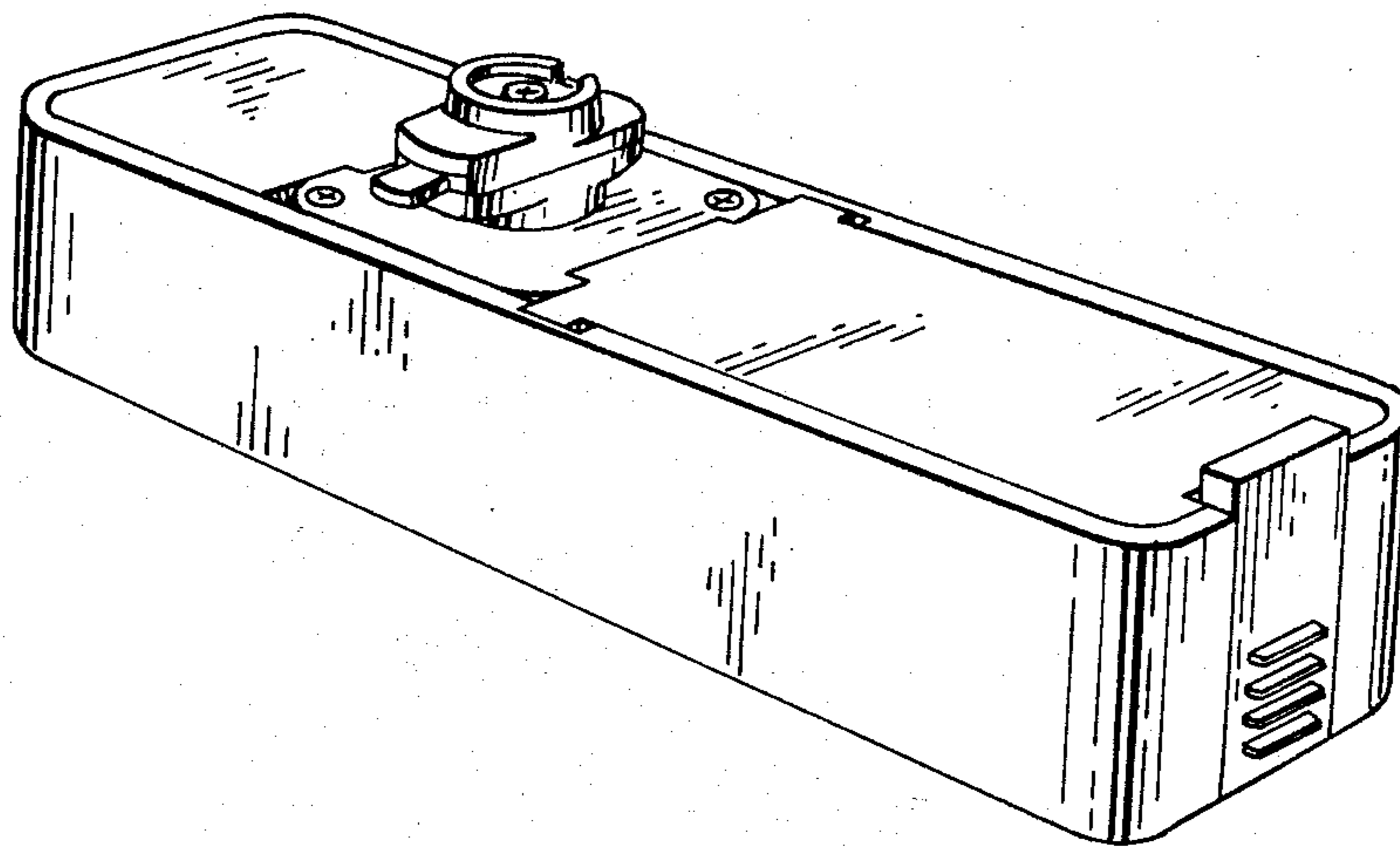


FIG. 1

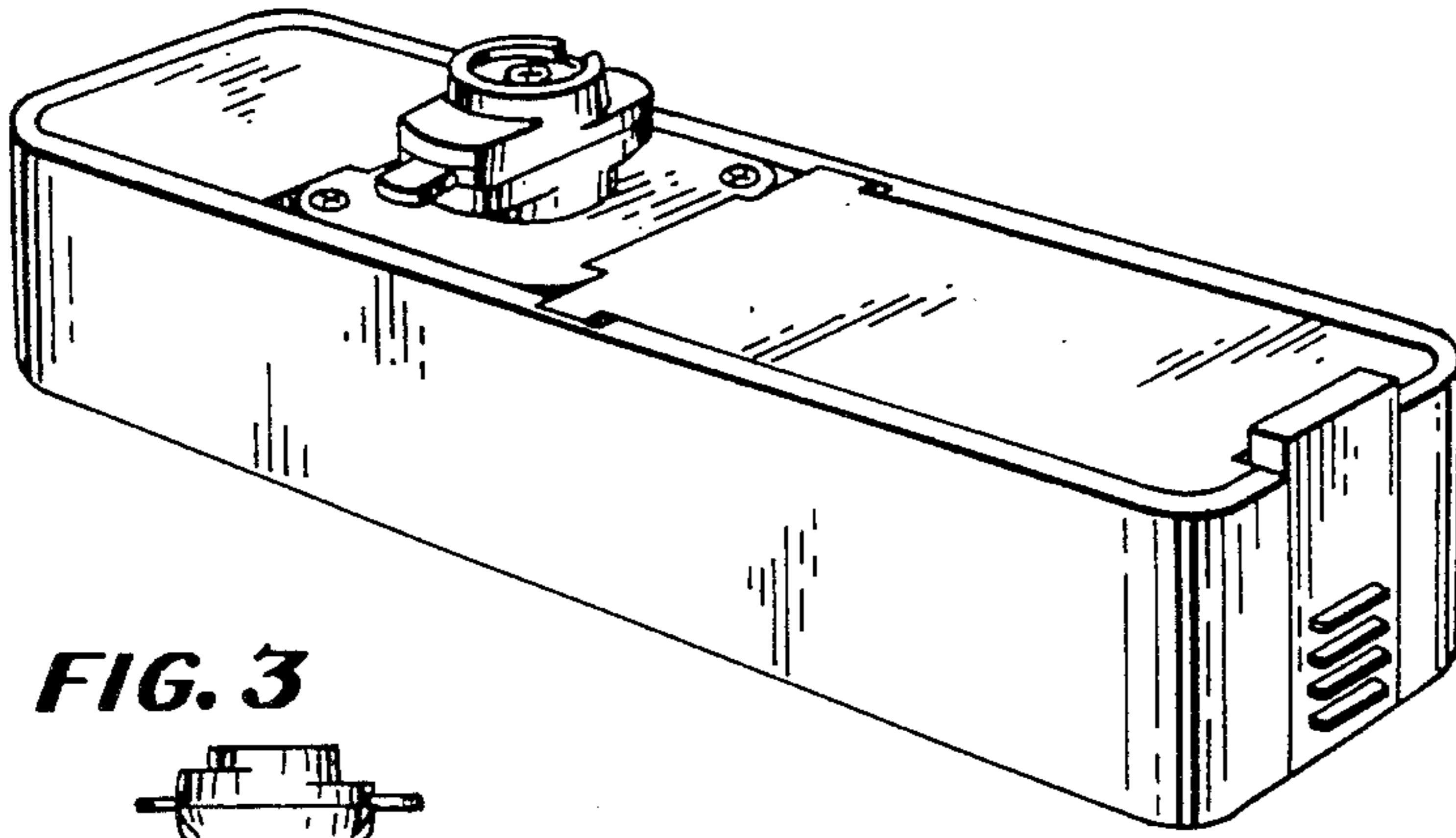


FIG. 3

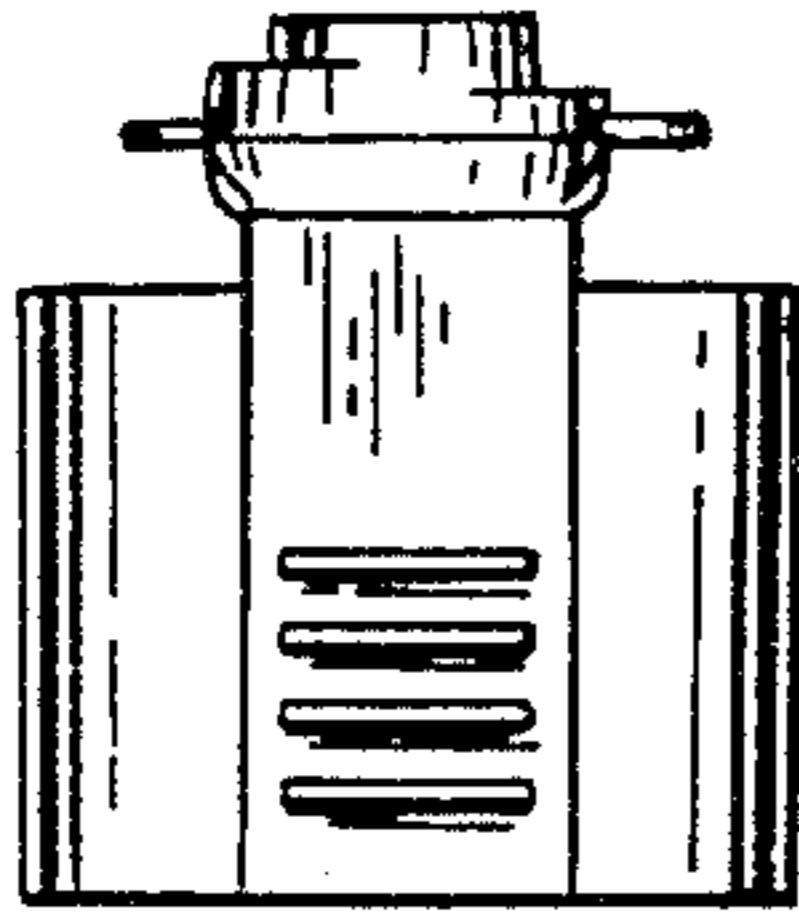


FIG. 2

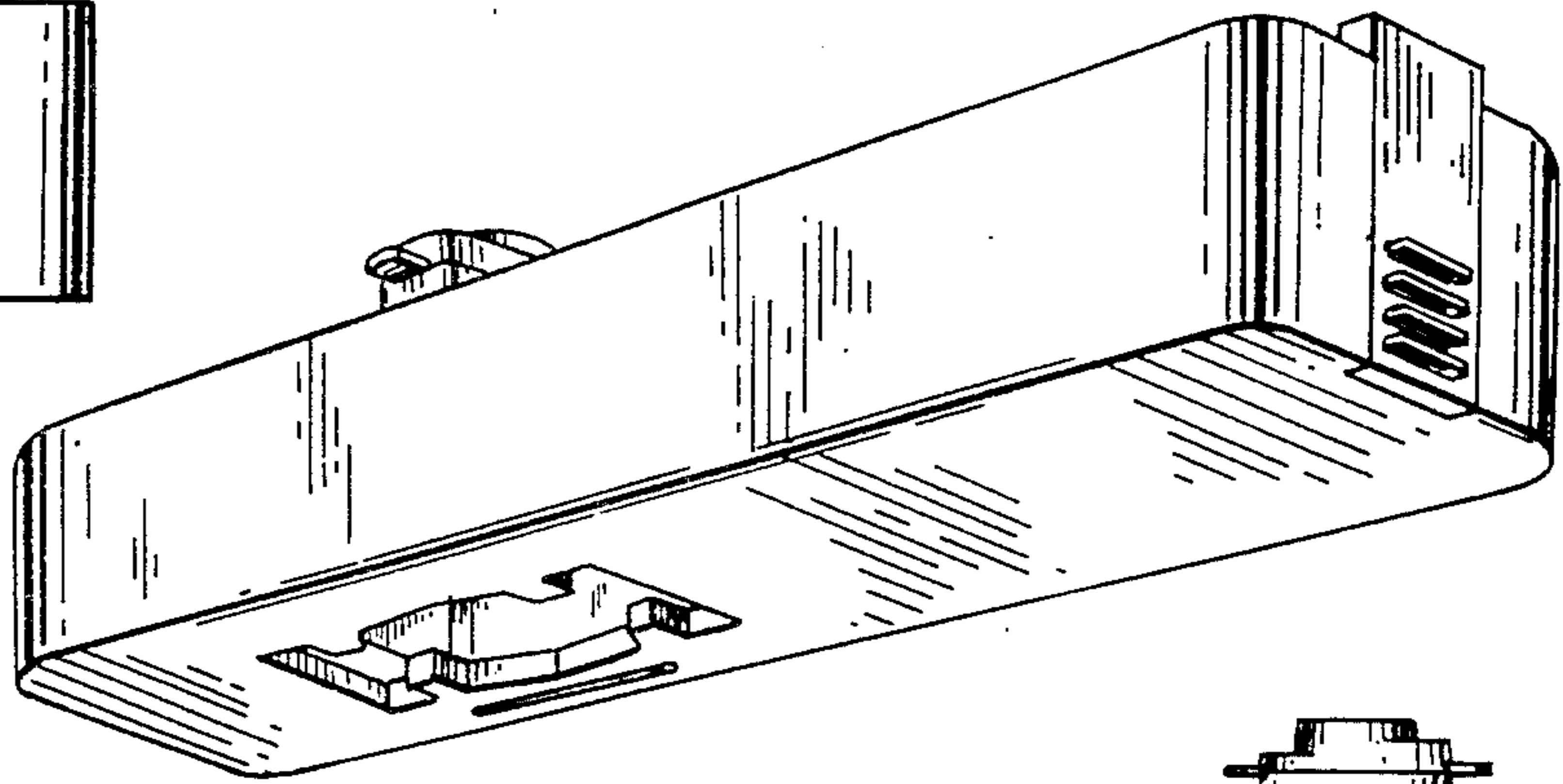


FIG. 4

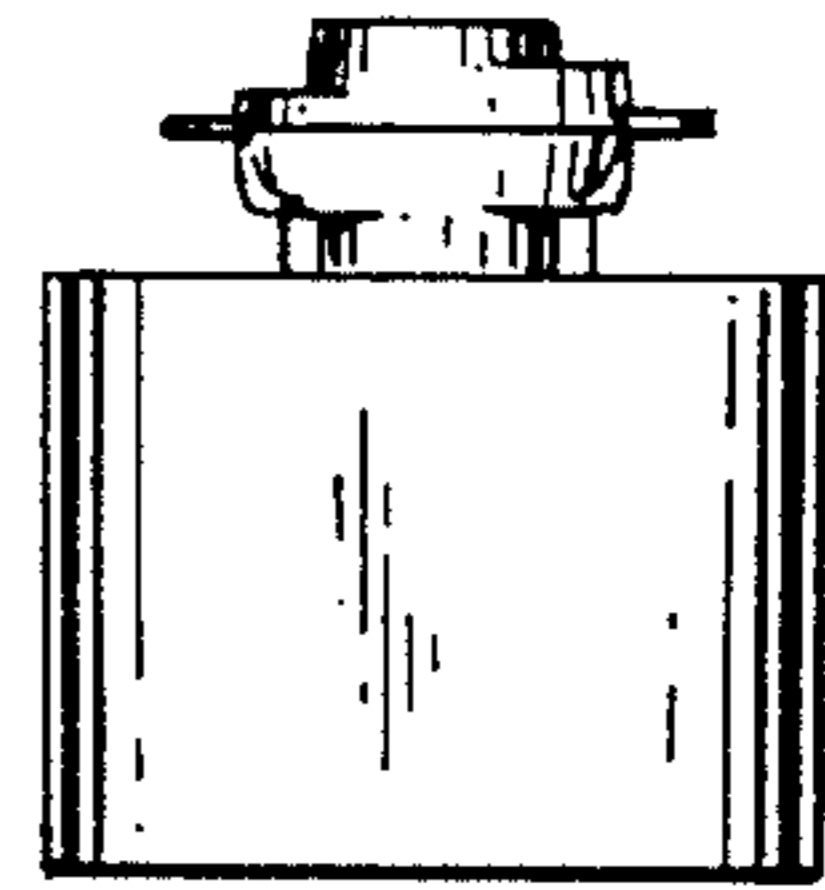


FIG. 5

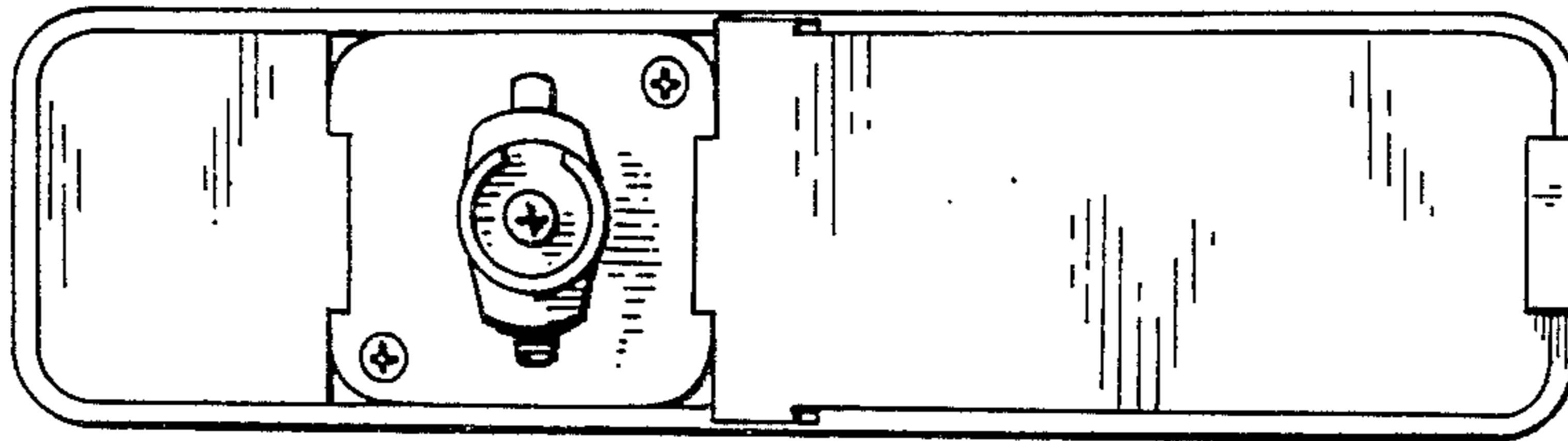


FIG. 6

