

[54] TABLE LAMP

2,586,625 2/1952 Downey 362/217

[76] Inventor: Uko Morita, 182 Halleck St.,
Brooklyn, N.Y. 11231

Primary Examiner—Susan J. Lucas
Attorney, Agent, or Firm—Felfe & Lynch

[**] Term: 14 Years

[57] CLAIM

[21] Appl. No.: 620,389

The ornamental design for a table lamp, as shown and described.

[22] Filed: Jun. 13, 1984

[52] U.S. Cl. D26/78; D26/102

[58] Field of Search D26/93, 102-112,
D26/75, 78, 79; 362/410-414, 217, 219, 225

DESCRIPTION

[56] References Cited

U.S. PATENT DOCUMENTS

- D. 220,206 3/1971 Hamburger D26/75
- 2,223,873 12/1940 Pieper 362/225
- 2,223,874 12/1940 Pieper 362/225

FIG. 1 is a side perspective view of a table lamp showing my new design;
 FIG. 2 is a perspective view thereof taken from the rear and right hand side of FIG. 1;
 FIG. 3 is a side perspective view thereof as taken in the direction of arrow 3 in FIG. 1;
 FIG. 4 is a side perspective view thereof as taken in the direction of arrow 4 in FIG. 1.

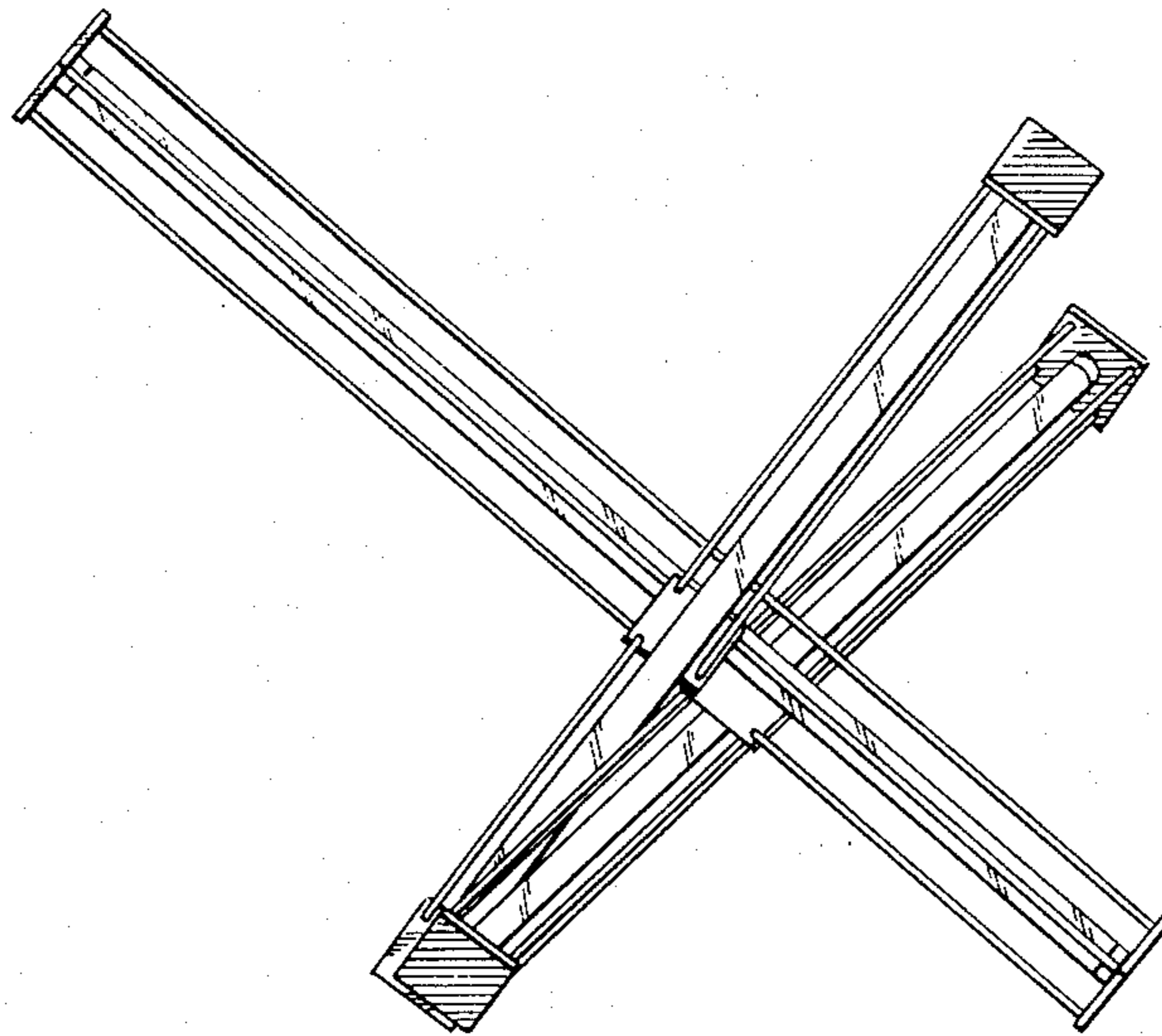


Fig. 1.

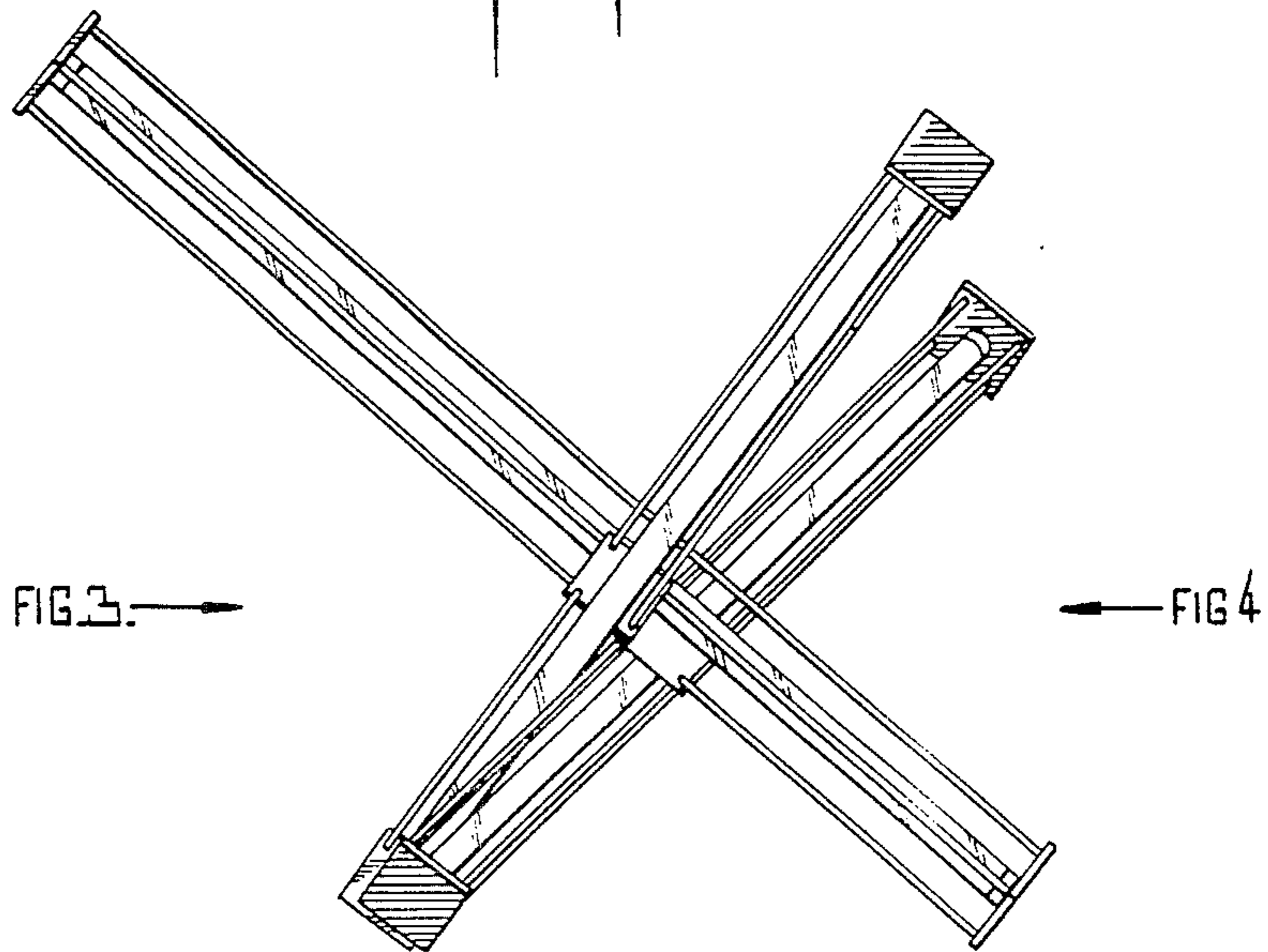


Fig. 2.

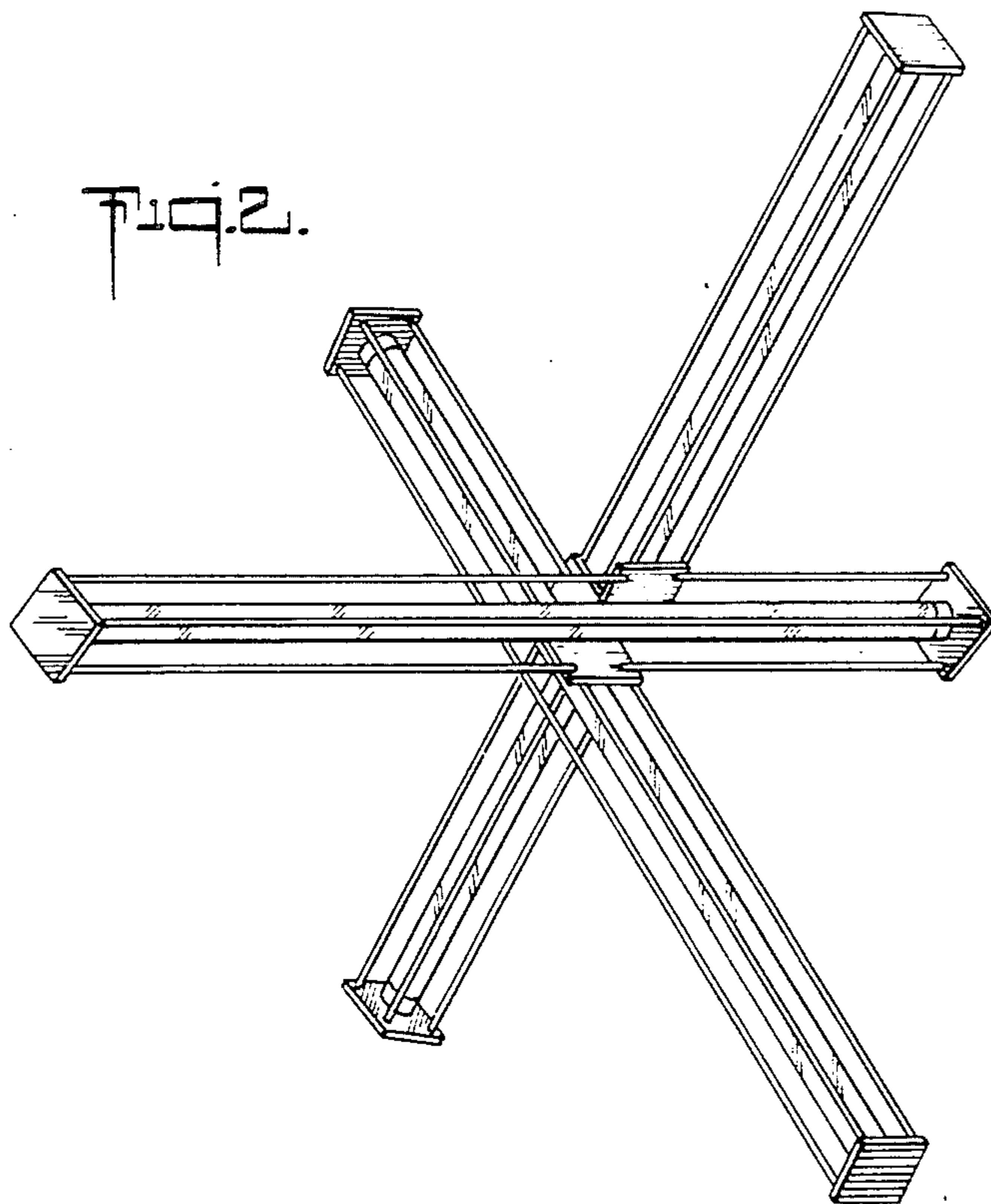


Fig. 3.

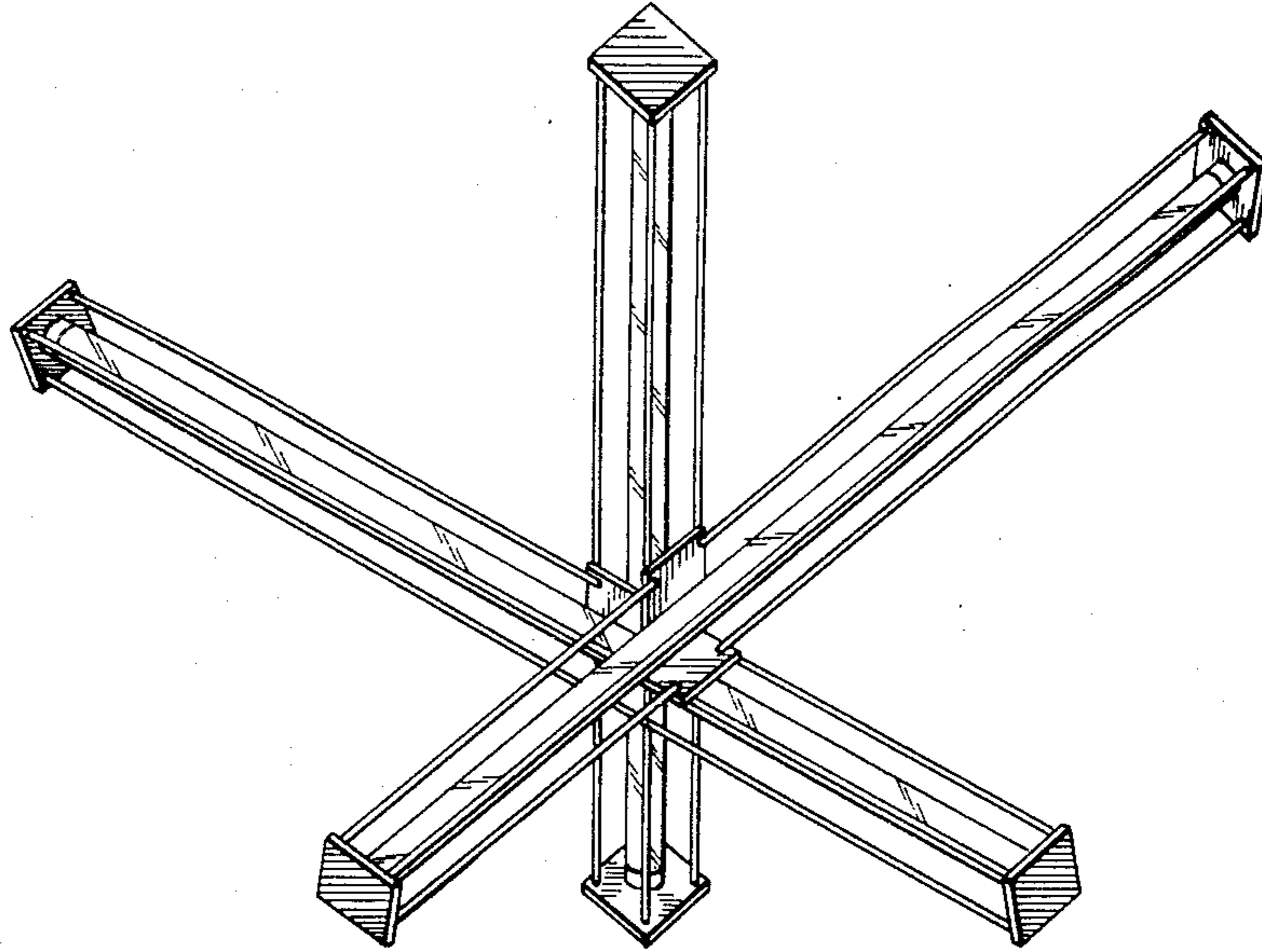


Fig. 4.

