

[54] PORTABLE LAMP

2,161,872 6/1939 Kostal 362/410 X
2,591,571 4/1952 Marino D26/62 X

[76] Inventor: Chiou T. Kuo, 15th Fl., No. 290, Fu Shing N. Rd., Taipei, Taiwan

Primary Examiner—Susan J. Lucas
Attorney, Agent, or Firm—Robert C. Podwil

[**] Term: 14 Years

[57] CLAIM

[21] Appl. No.: 609,498

The ornamental design for a portable lamp, as shown.

[22] Filed: May 11, 1984

DESCRIPTION

[52] U.S. Cl. D26/60

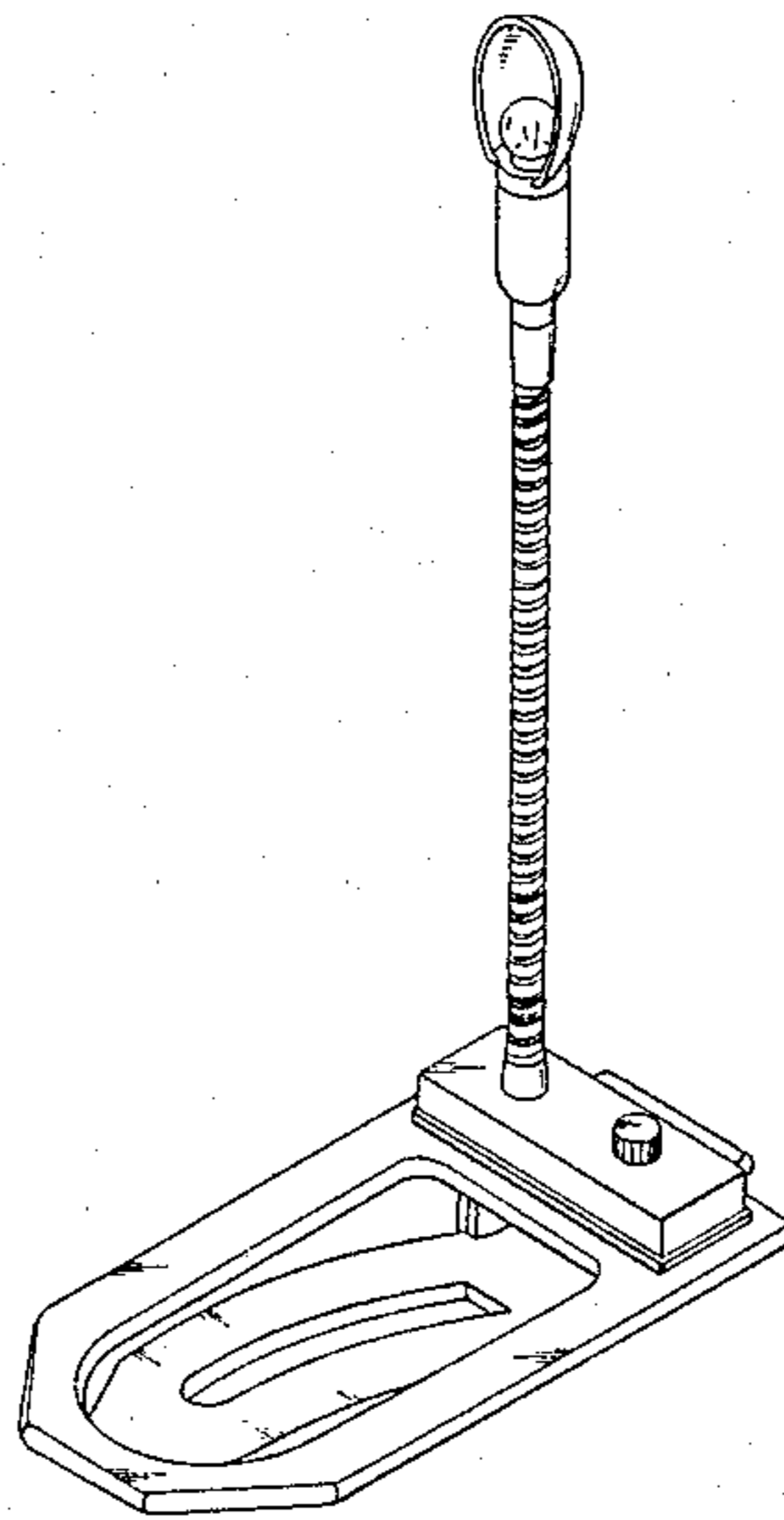
[58] Field of Search D26/60-66;
362/410-414, 418, 427, 269, 277, 285, 157, 183,
191, 198, 199, 98, 99, 396

FIG. 1 is a front elevational view of a portable lamp showing my new design;
FIG. 2 is a rear elevational view thereof;
FIG. 3 is a top plan view thereof;
FIG. 4 is a bottom plan view thereof;
FIG. 5 is a right side plan view thereof;
FIG. 6 is a left side plan view thereof; and
FIG. 7 is a perspective view thereof.

[56] References Cited

U.S. PATENT DOCUMENTS

D. 271,526 11/1983 Zeller D26/60



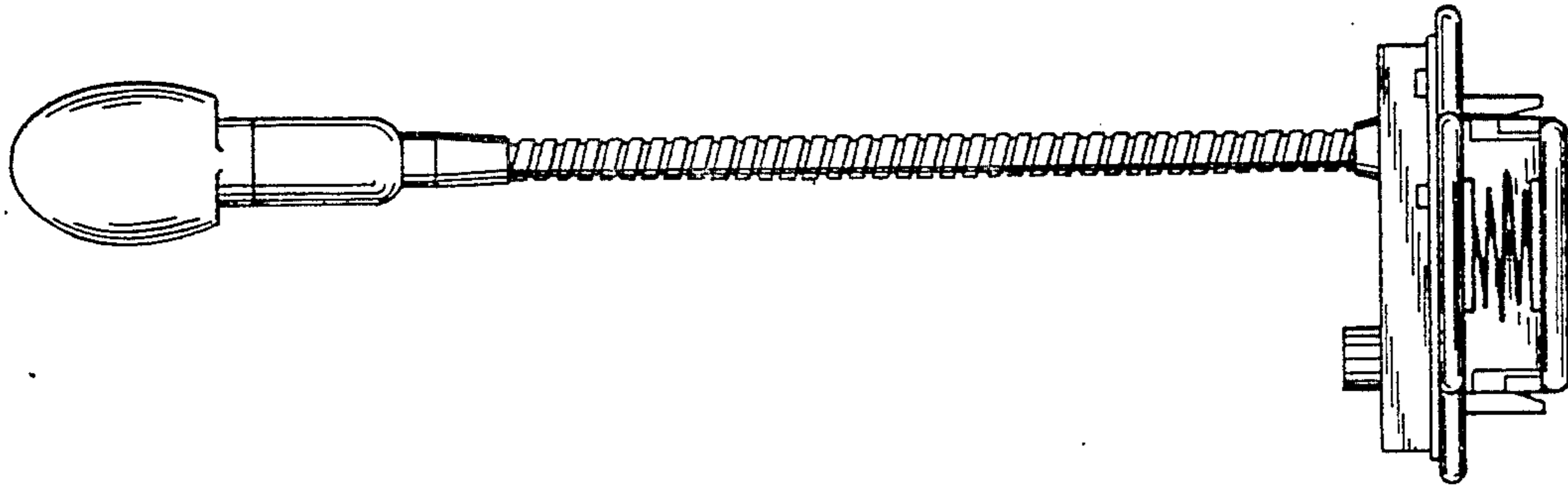


FIG. 2

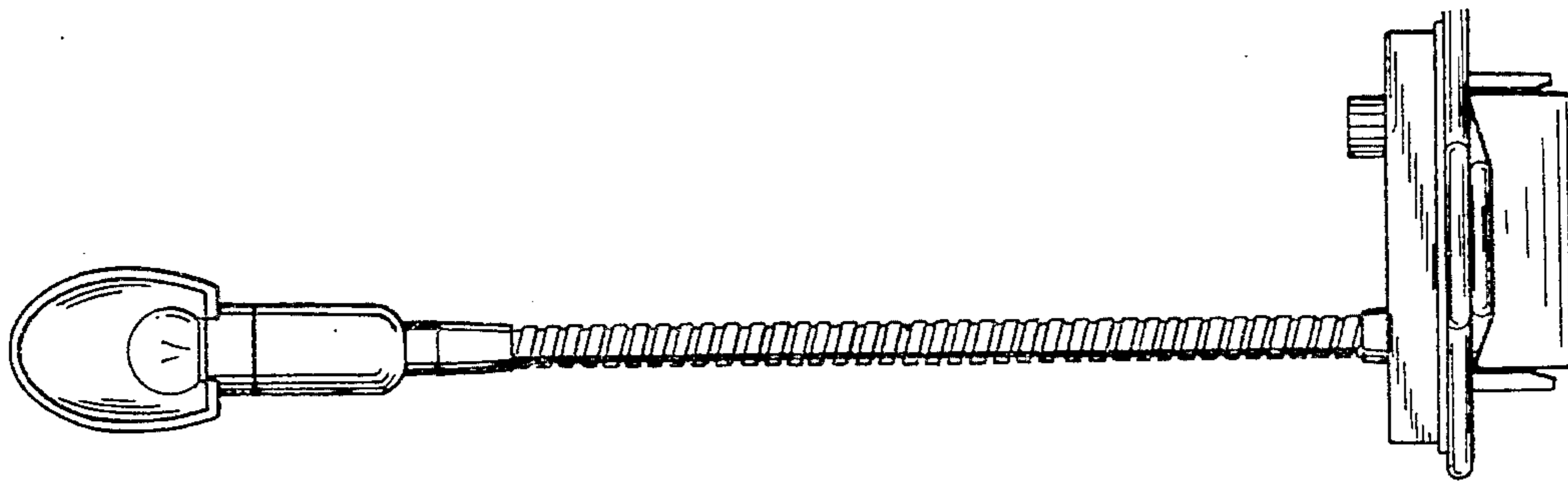


FIG. 1

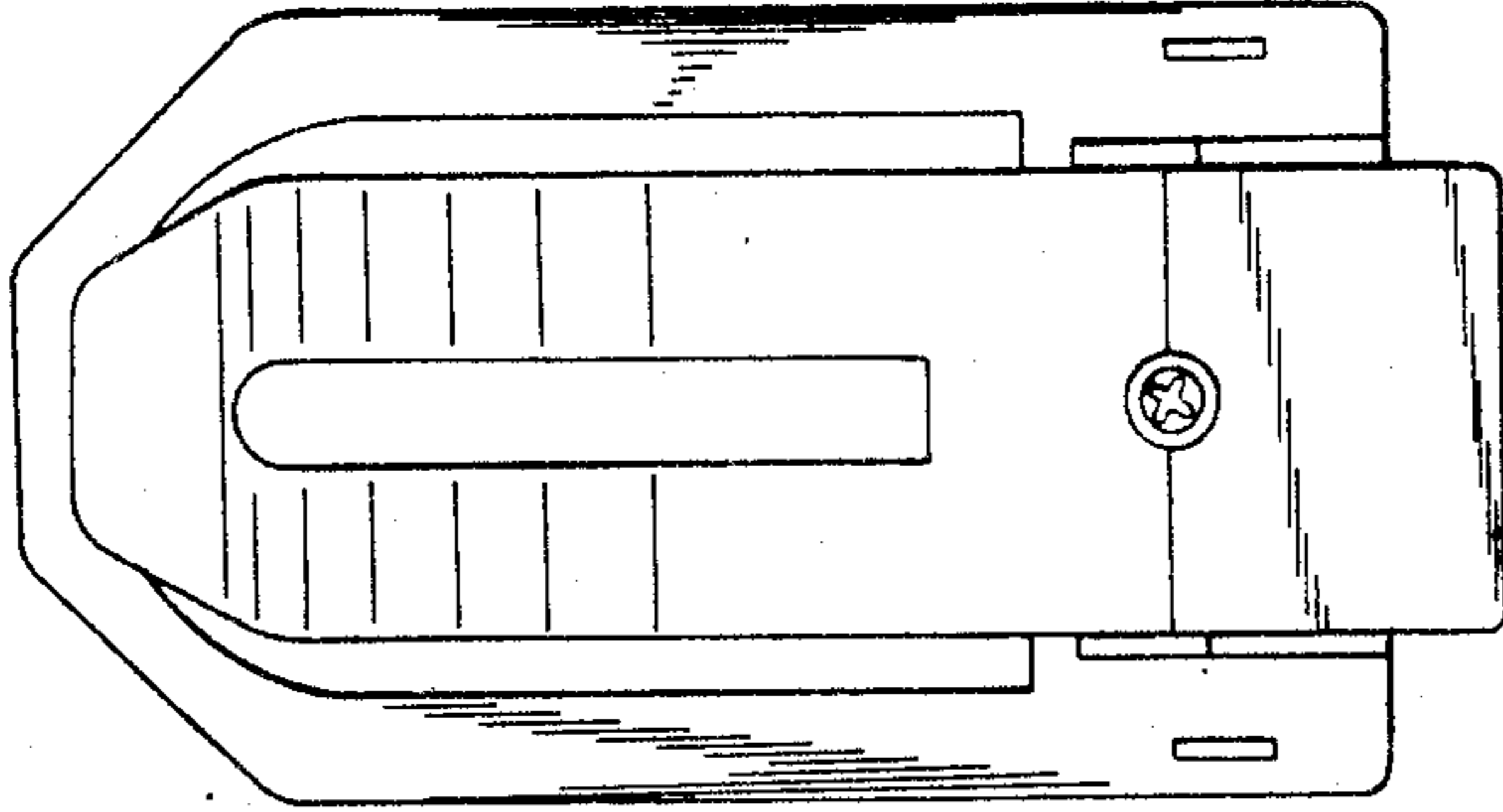


FIG. 4

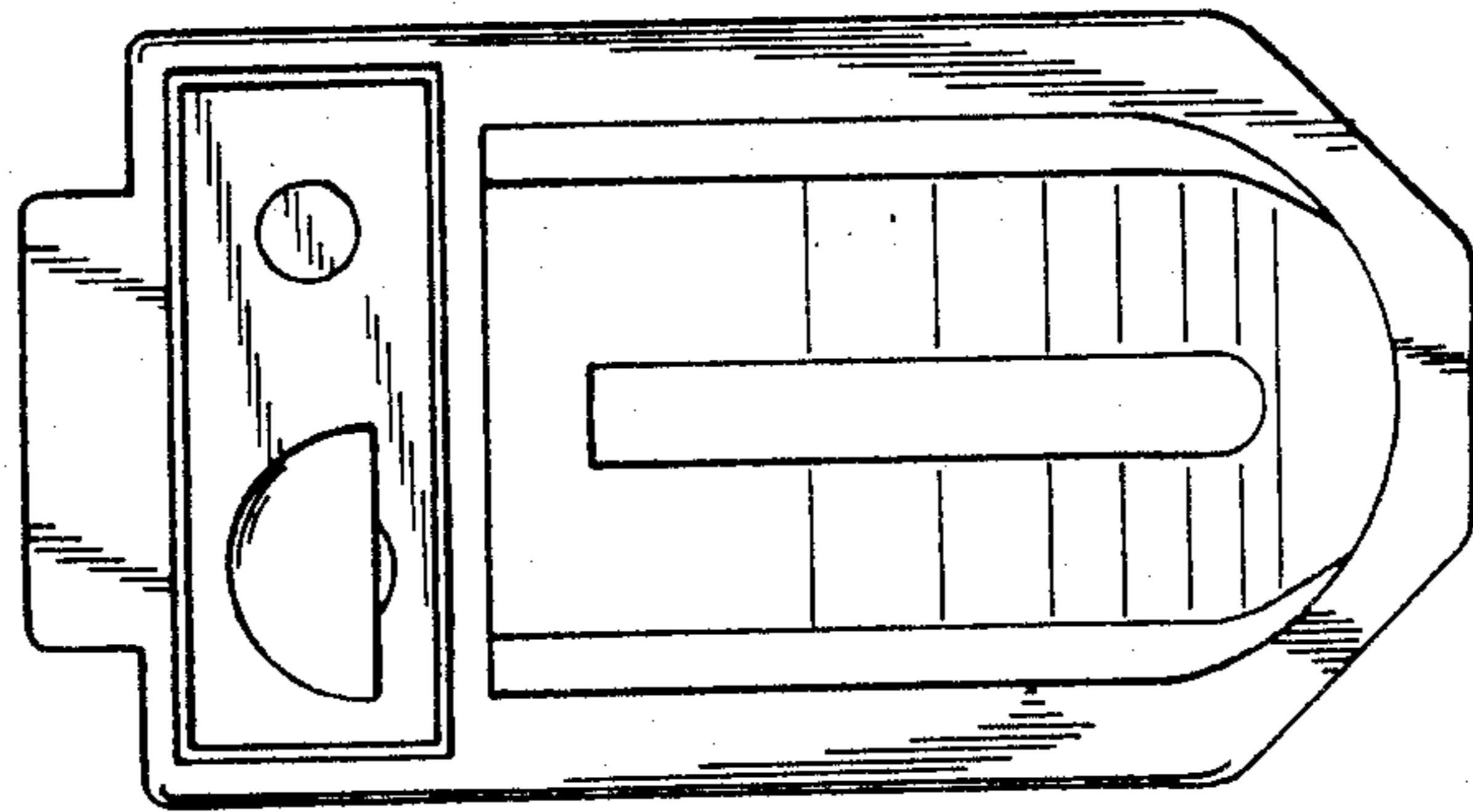


FIG. 3

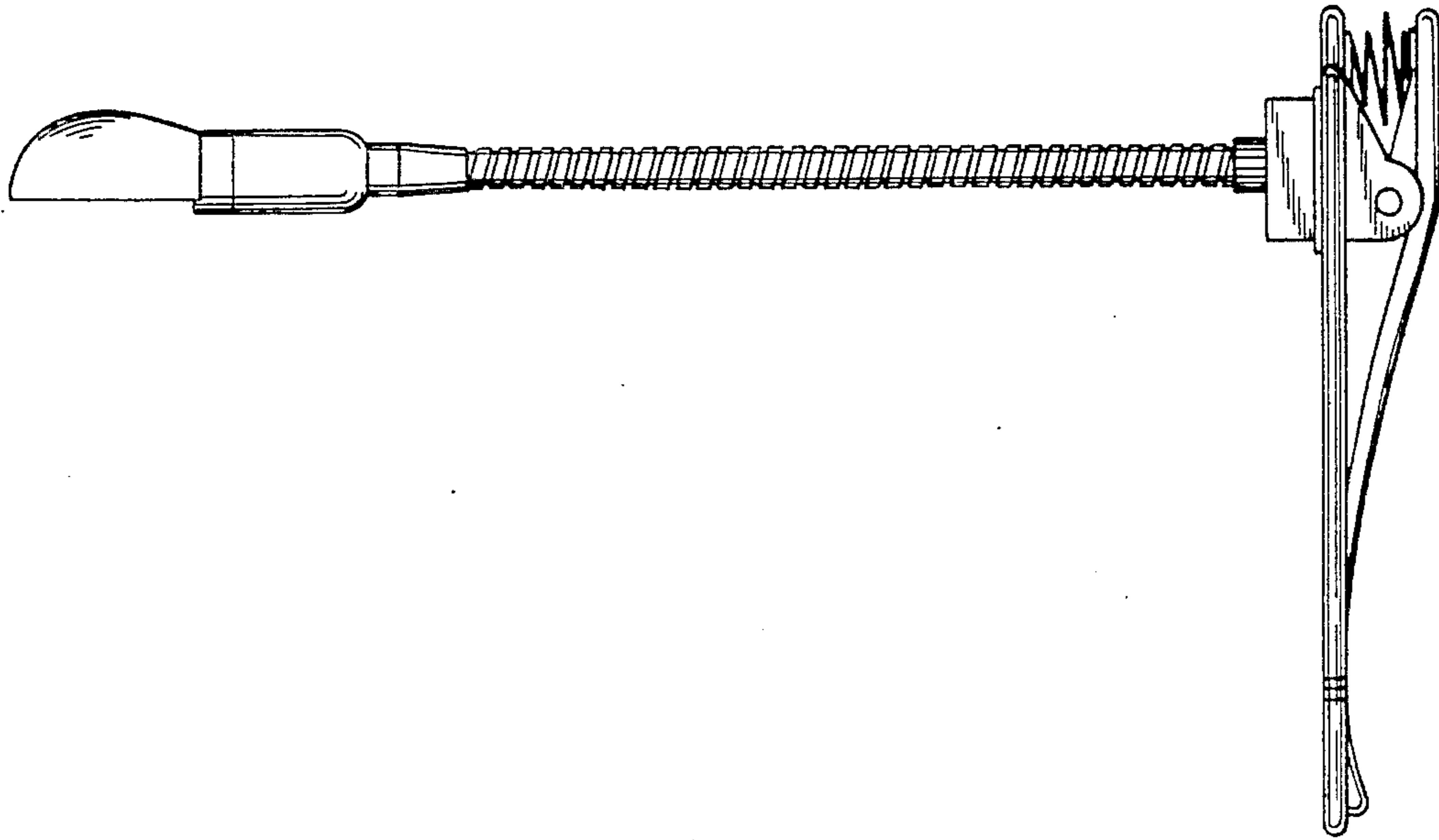


FIG. 6

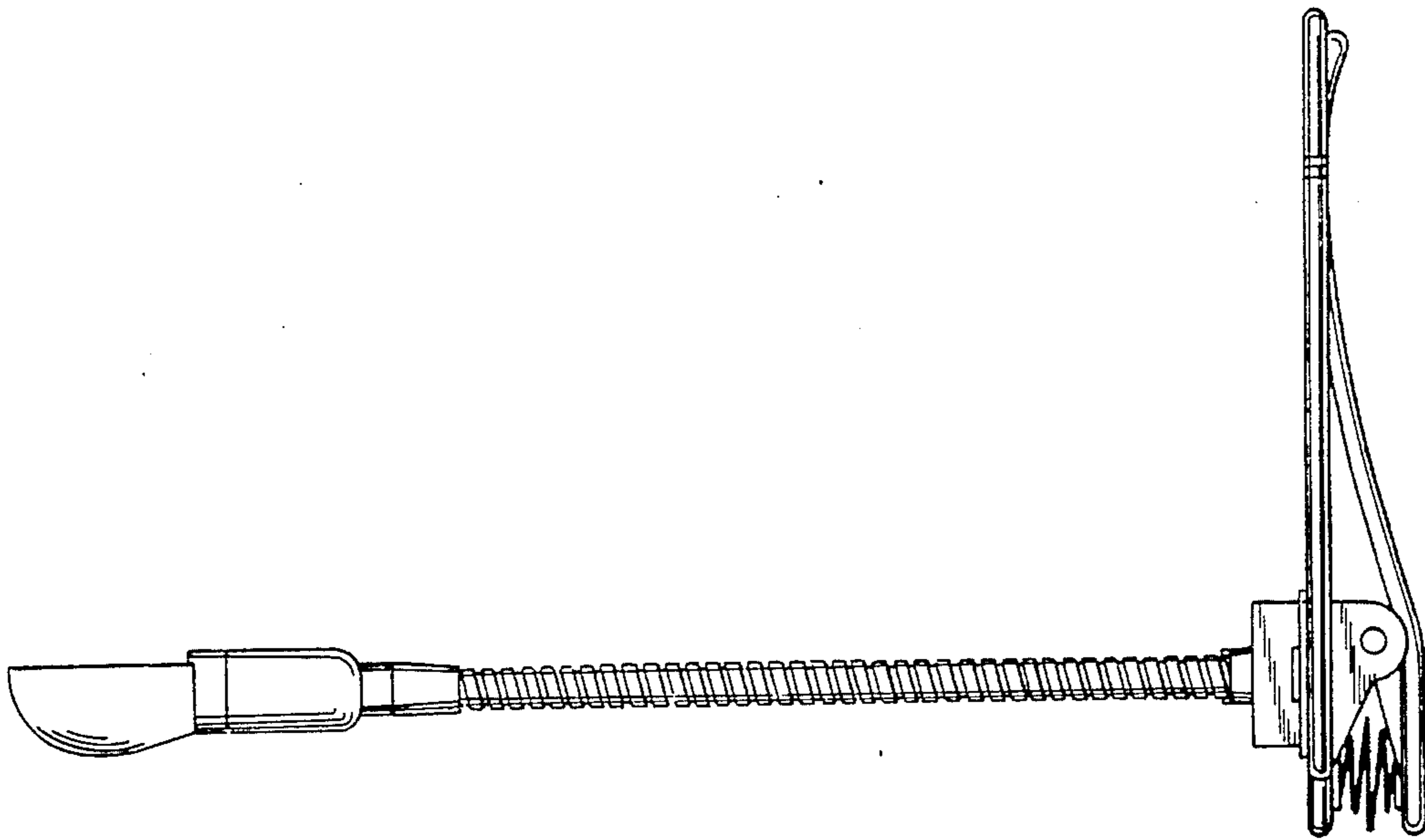


FIG. 5

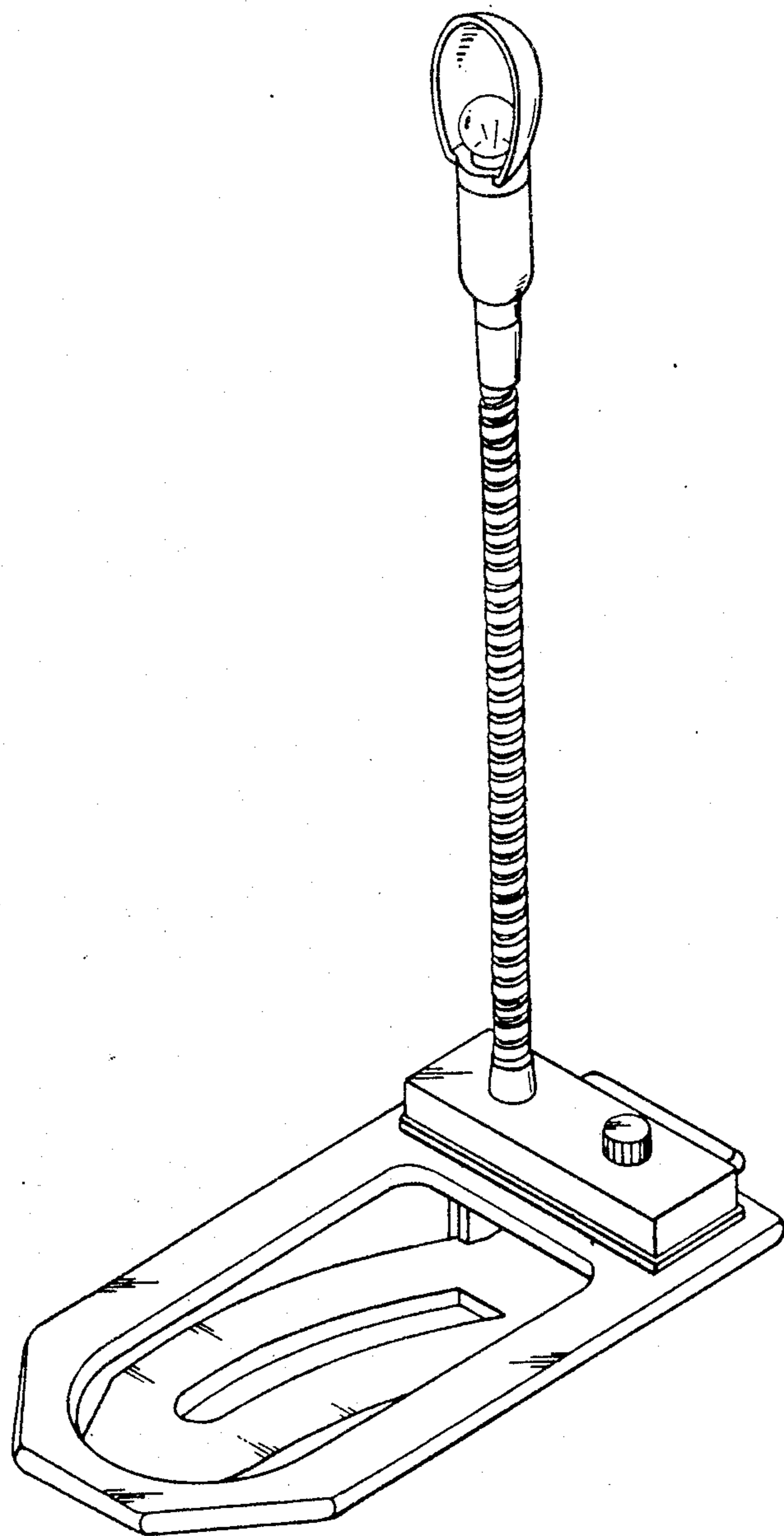


FIG. 7