

[54] SNOW PLOW LIGHT

[75] Inventor: Alan W. Brownlie, Skaneateles, N.Y.

[73] Assignee: R. E. Dietz Company, Syracuse, N.Y.

[**] Term: 14 Years

[21] Appl. No.: 769,375

[22] Filed: Aug. 26, 1985

[52] U.S. Cl. D26/35

[58] Field of Search D26/28-36;
362/61, 80-83, 269, 267

[56] References Cited

U.S. PATENT DOCUMENTS

D. 243,274	2/1977	Miceli	D26/36
D. 258,915	4/1981	Levy	D26/35
D. 258,917	4/1981	Urbanek et al.	D26/35
D. 260,937	9/1981	Hetrick	D26/35
4,277,818	7/1981	Urbanek et al.	362/61

Primary Examiner—Susan J. Lucas
Attorney, Agent, or Firm—Bruns and Wall

[57] CLAIM

The ornamental design for a snow plow light, as shown and described.

DESCRIPTION

FIG. 1 is a perspective view of a snow plow light embodying my new design;

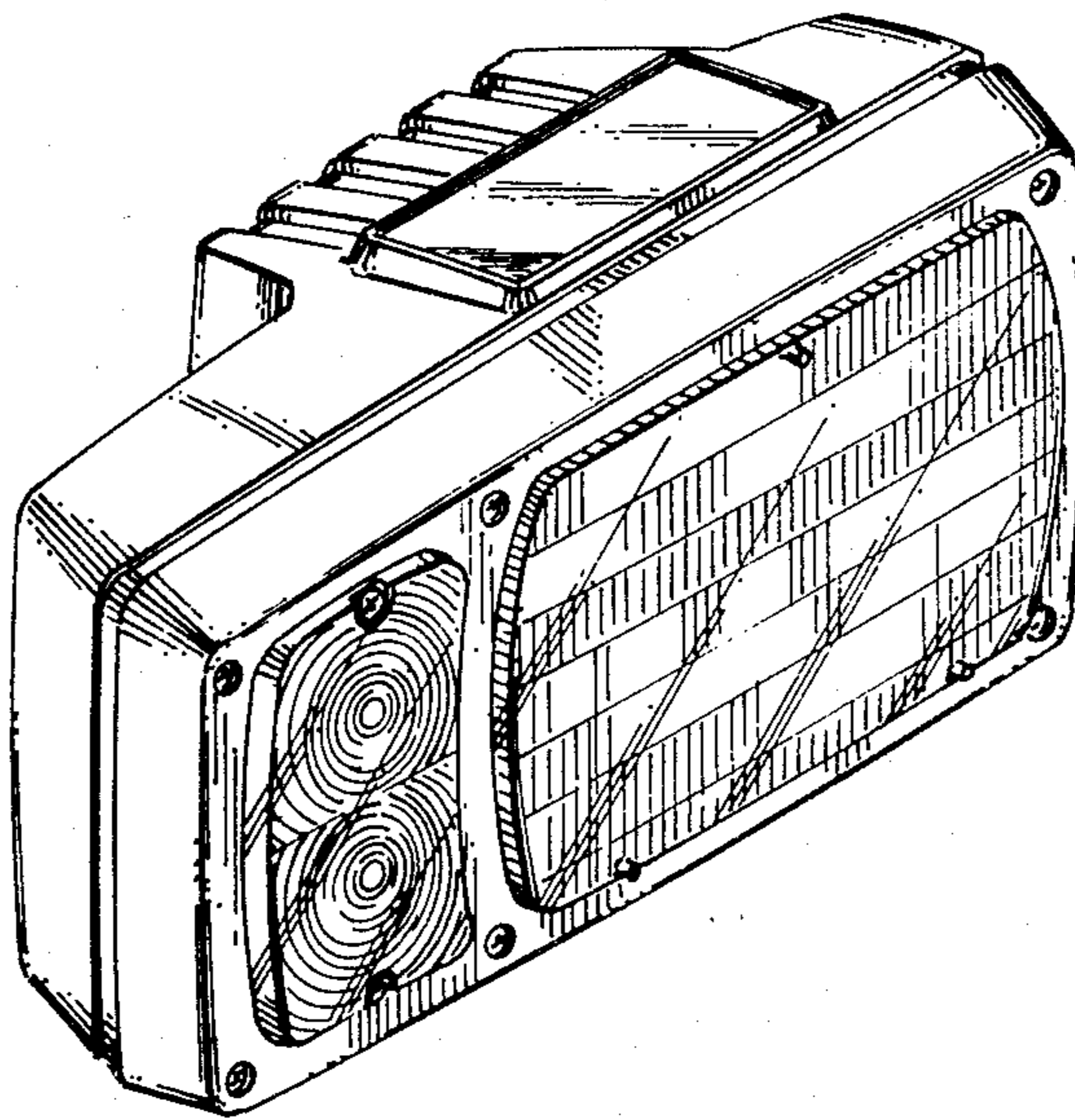
FIG. 2 is a front elevational view thereof on an enlarged scale;

FIG. 3 is a top plan view thereof on an enlarged scale;

FIG. 4 is a rear elevational view thereof on an enlarged scale;

FIG. 5 is a bottom plan view thereof on an enlarged scale;

FIG. 6 is a right side elevational view thereof, the left side being similar except for the orientation of the mounting elements on the bottom surface.



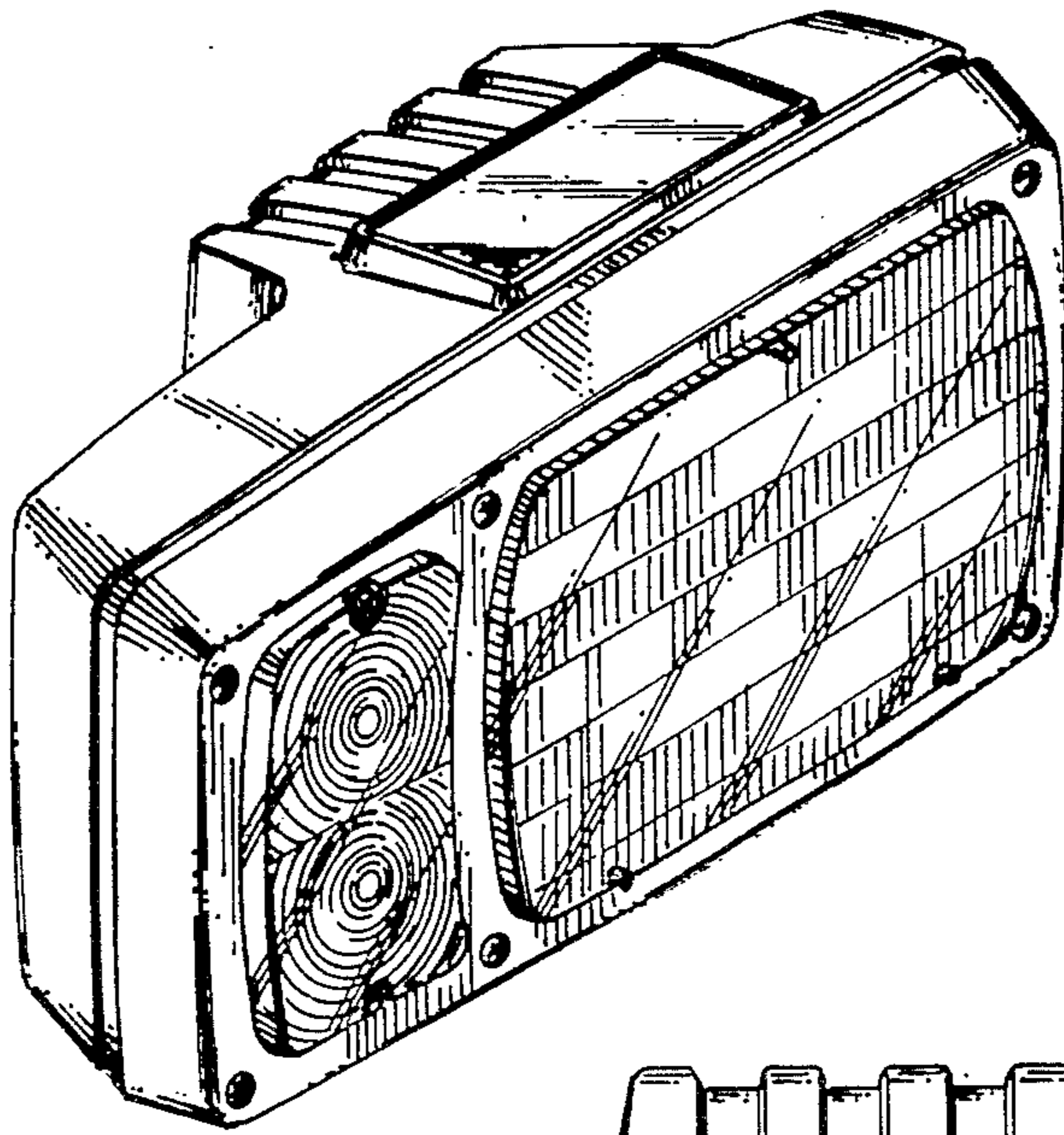


FIG. 1

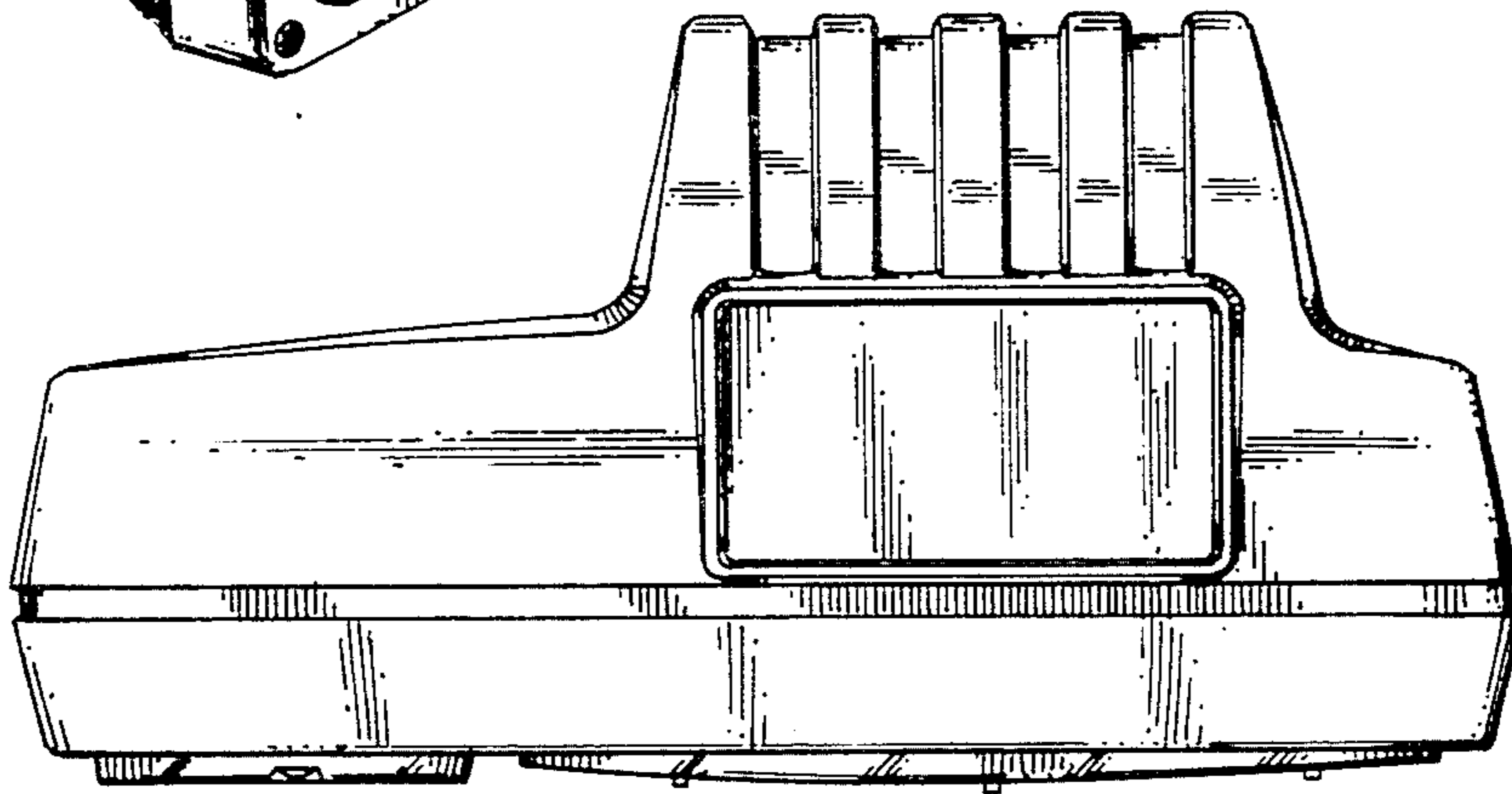


FIG. 3

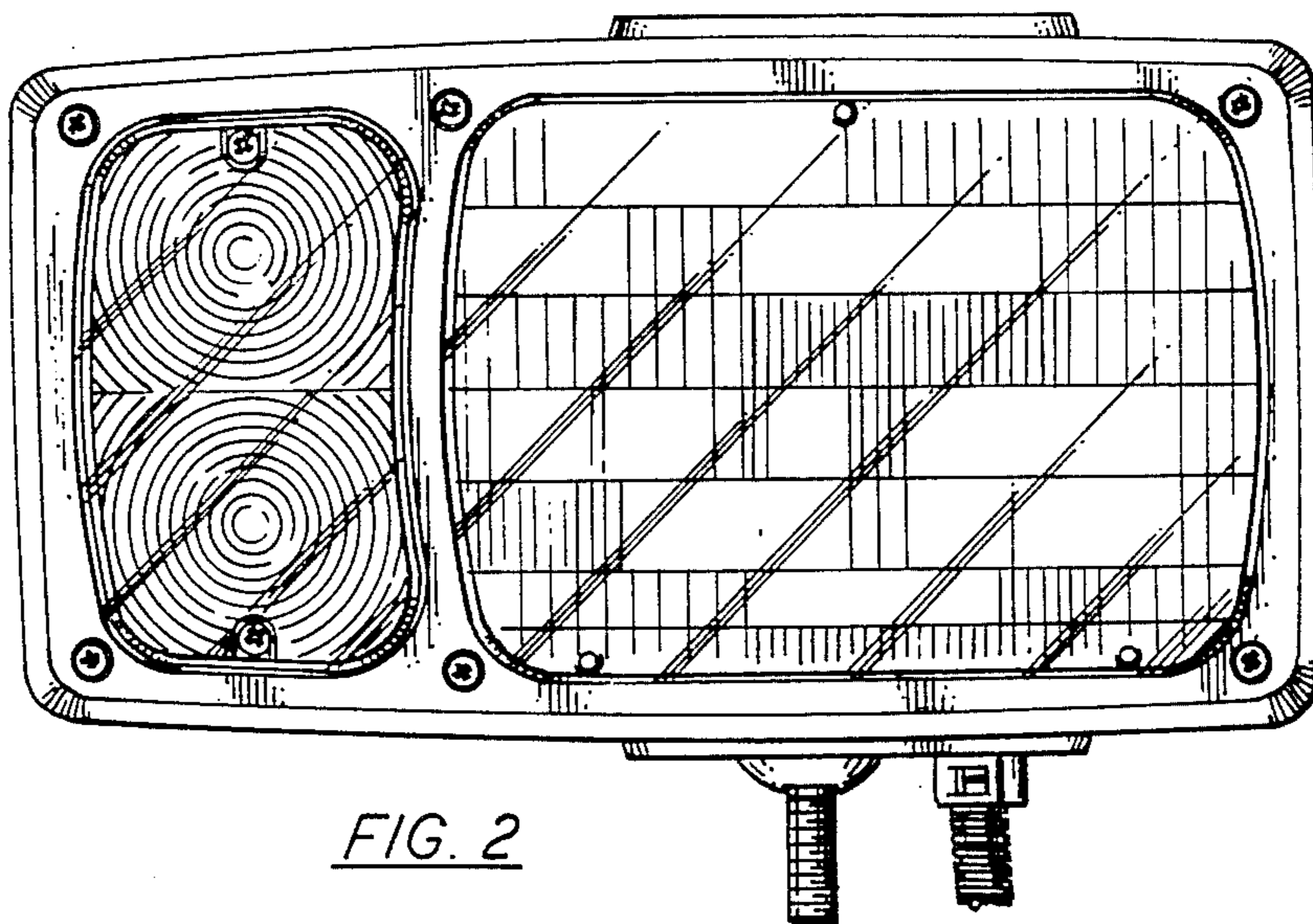


FIG. 2

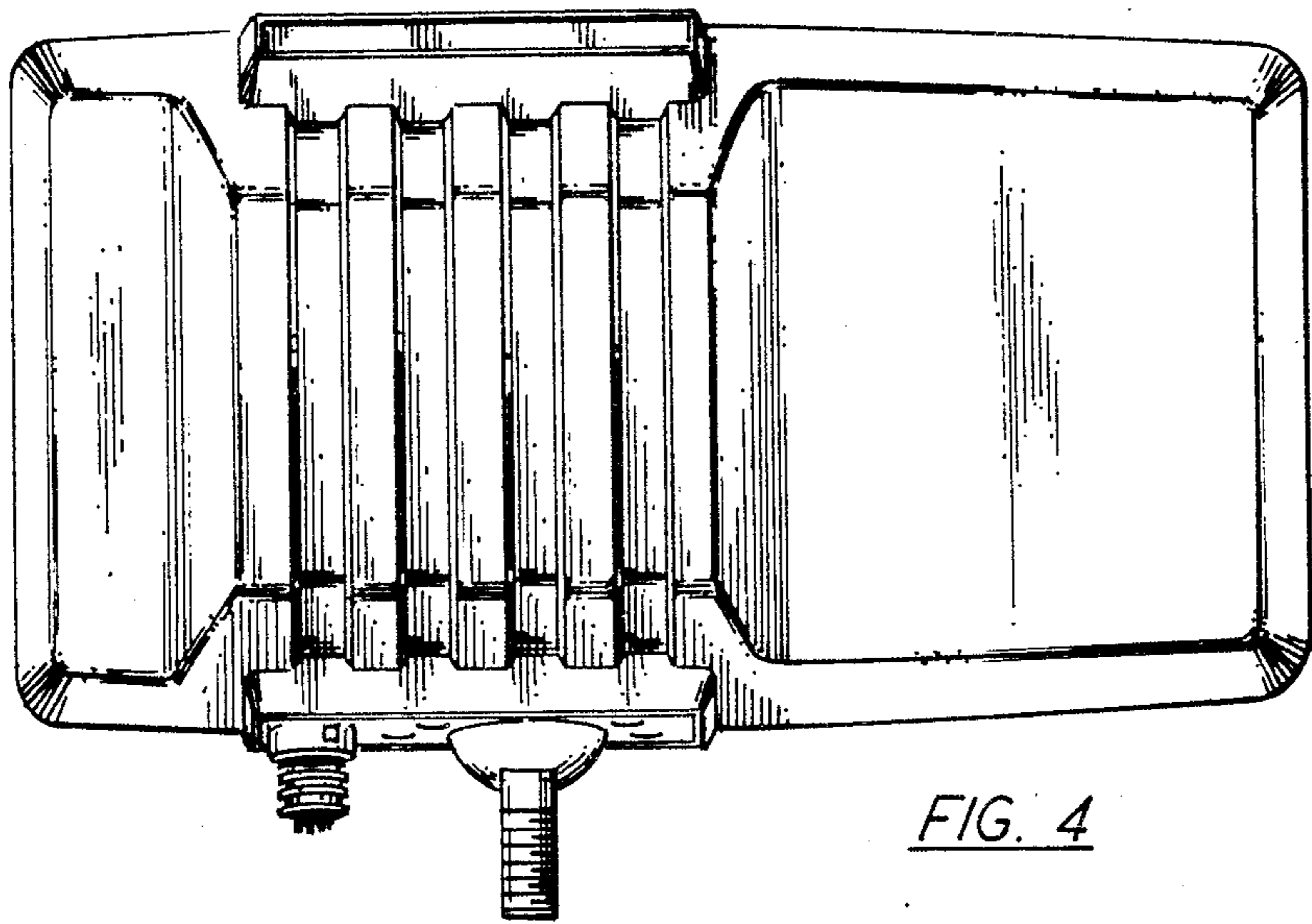


FIG. 4

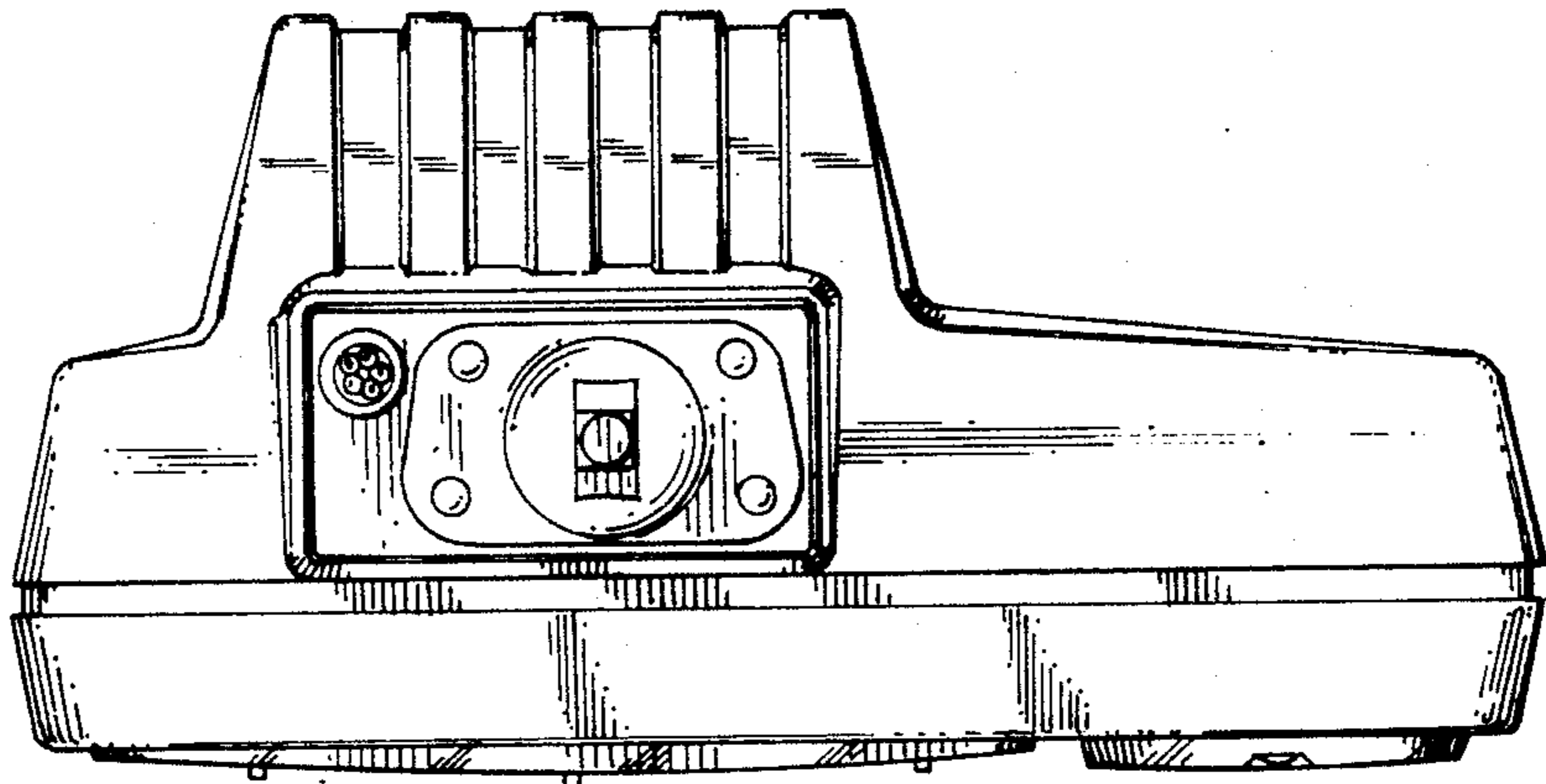


FIG. 5

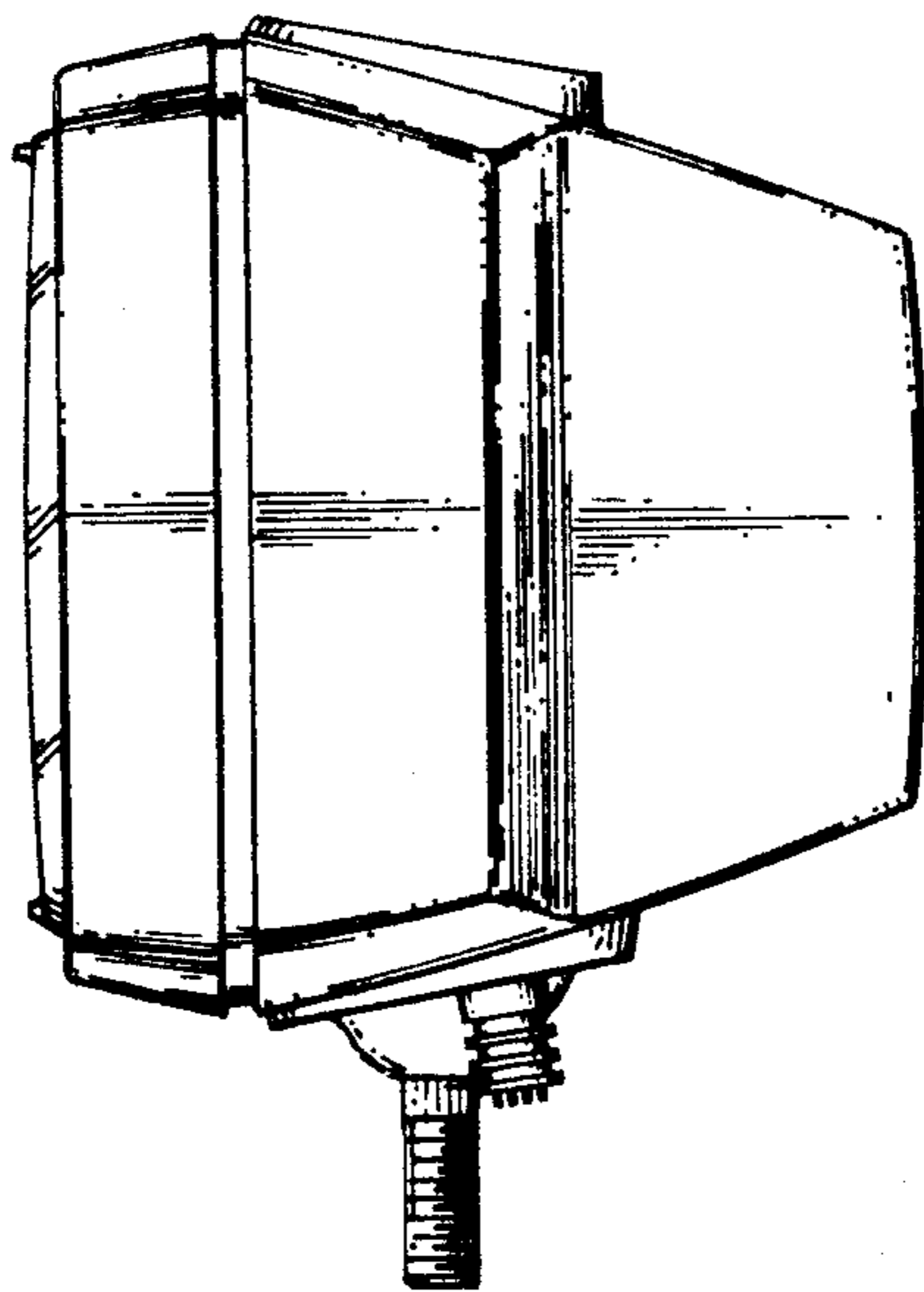


FIG. 6