

[54] CASTING TRAY FOR ELECTROPHORETIC GEL

[75] Inventors: Richard Malavarca, South Orange; Thomas Livelli, Lyndhurst, both of N.J.

[73] Assignee: Lab Stuff, Inc., South Orange, N.J.

[**] Term: 14 Years

[21] Appl. No.: 675,989

[22] Filed: Nov. 29, 1984

[52] U.S. Cl. D24/31; D10/81

[58] Field of Search D24/8, 31, 99; 204/299 R, 299 EC, 180.1

[56] References Cited

U.S. PATENT DOCUMENTS

968,285	8/1910	Streator .	
1,166,770	1/1916	Latham .	
1,829,114	10/1931	Schroeder .	
3,635,808	1/1972	Elevitch .	
3,762,877	10/1973	Rains et al. .	
3,766,047	10/1973	Elevitch .	
3,767,560	10/1973	Elevitch .	
3,803,020	4/1974	Stephan .	
4,194,963	3/1980	Denckla .	
4,234,400	11/1980	Kaplan et al.	204/299 R X
4,314,897	2/1982	Monte et al. .	
4,416,761	11/1983	Brown et al.	204/299 R

OTHER PUBLICATIONS

BRL Catalog and Reference Guide, 1983, pp. 48-51.
 Chromatography Electrophoresis Immunochemistry and HPLC, 1983, pp. 143-145.
 Hoffer Scientific Instruments, 1983, pp. 26-33.
 International Biotechnologies, Inc., Products for Molecular Biology, 1983, pp. 132-137.

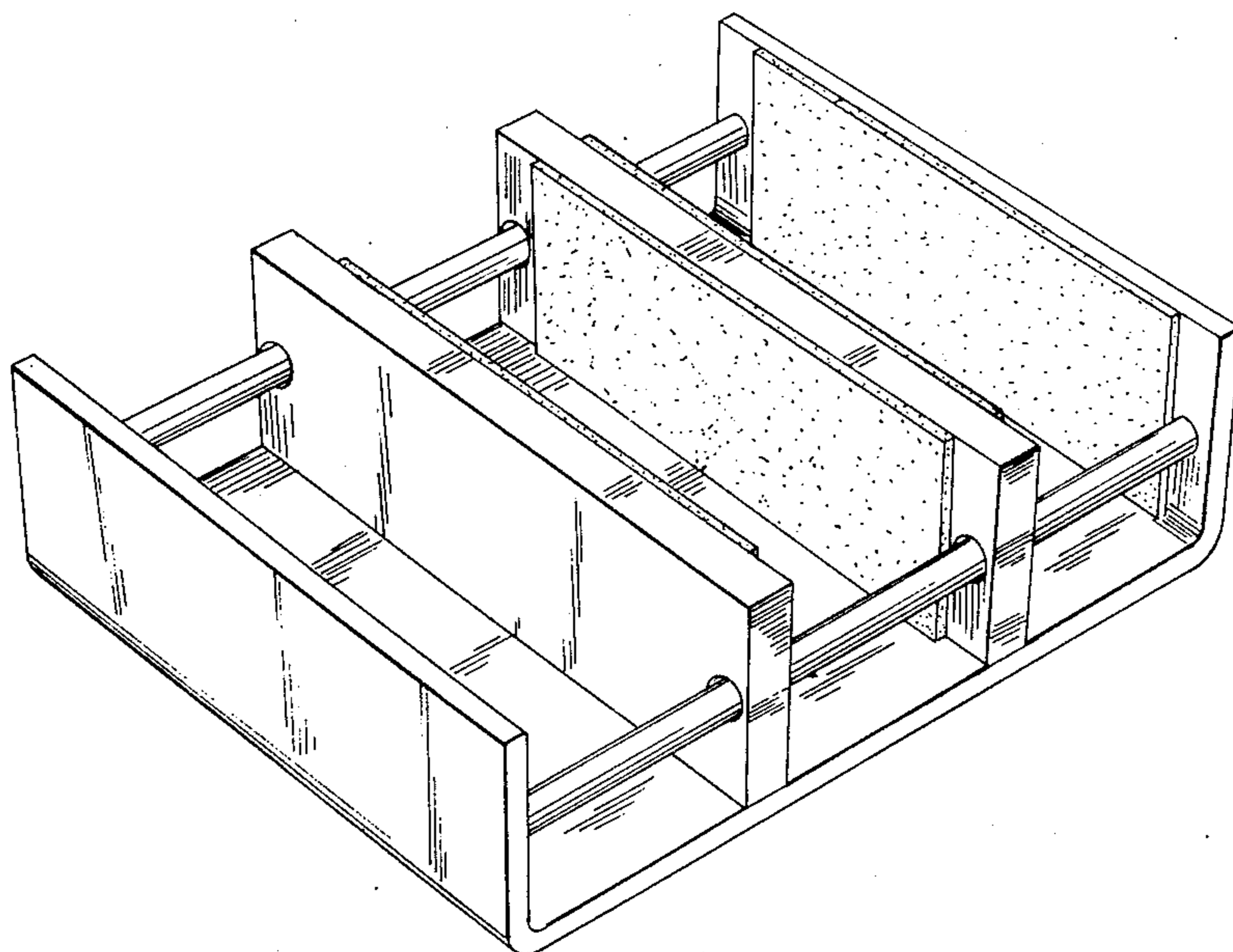
Primary Examiner—A. Hugo Word
 Assistant Examiner—Stella M. Reid
 Attorney, Agent, or Firm—Lerner, David, Littenberg, Krumholz & Mentlik

[57] CLAIM

The ornamental design for a casting tray for electrophoretic gel, substantially as shown and described.

DESCRIPTION

FIG. 1 is a perspective view of a casting tray for electrophoretic gel showing one embodiment of our new design;
 FIG. 2 is a top plan view thereof;
 FIG. 3 is a bottom plan view thereof;
 FIG. 4 is a front elevational view thereof;
 FIG. 5 is a rear elevational view thereof;
 FIG. 6 is a right side elevational view thereof, the left side elevational view being identical thereto; and
 FIG. 7 is a perspective view of the casting tray for electrophoretic gel showing another embodiment of our new design.



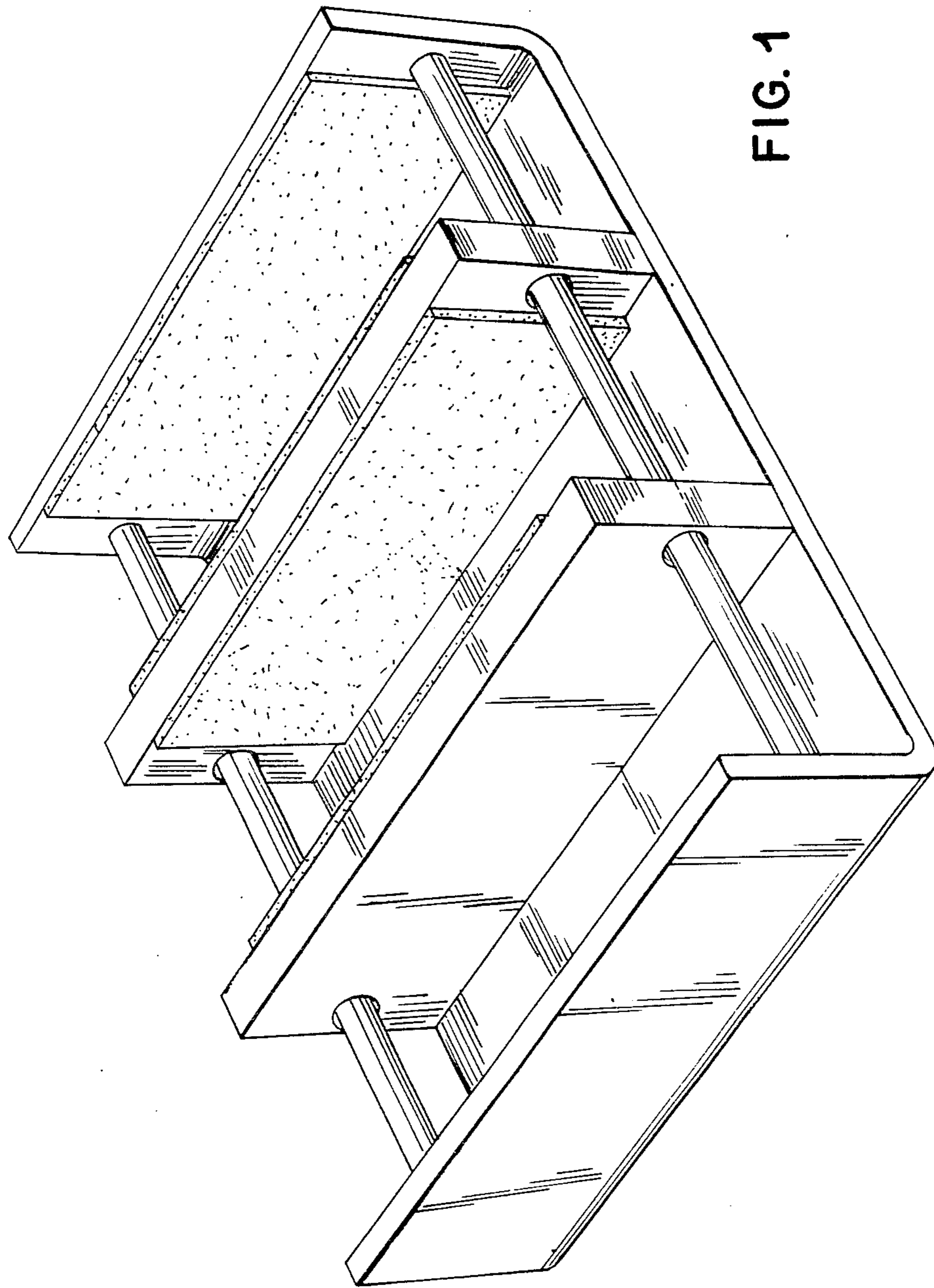


FIG. 1

FIG. 2

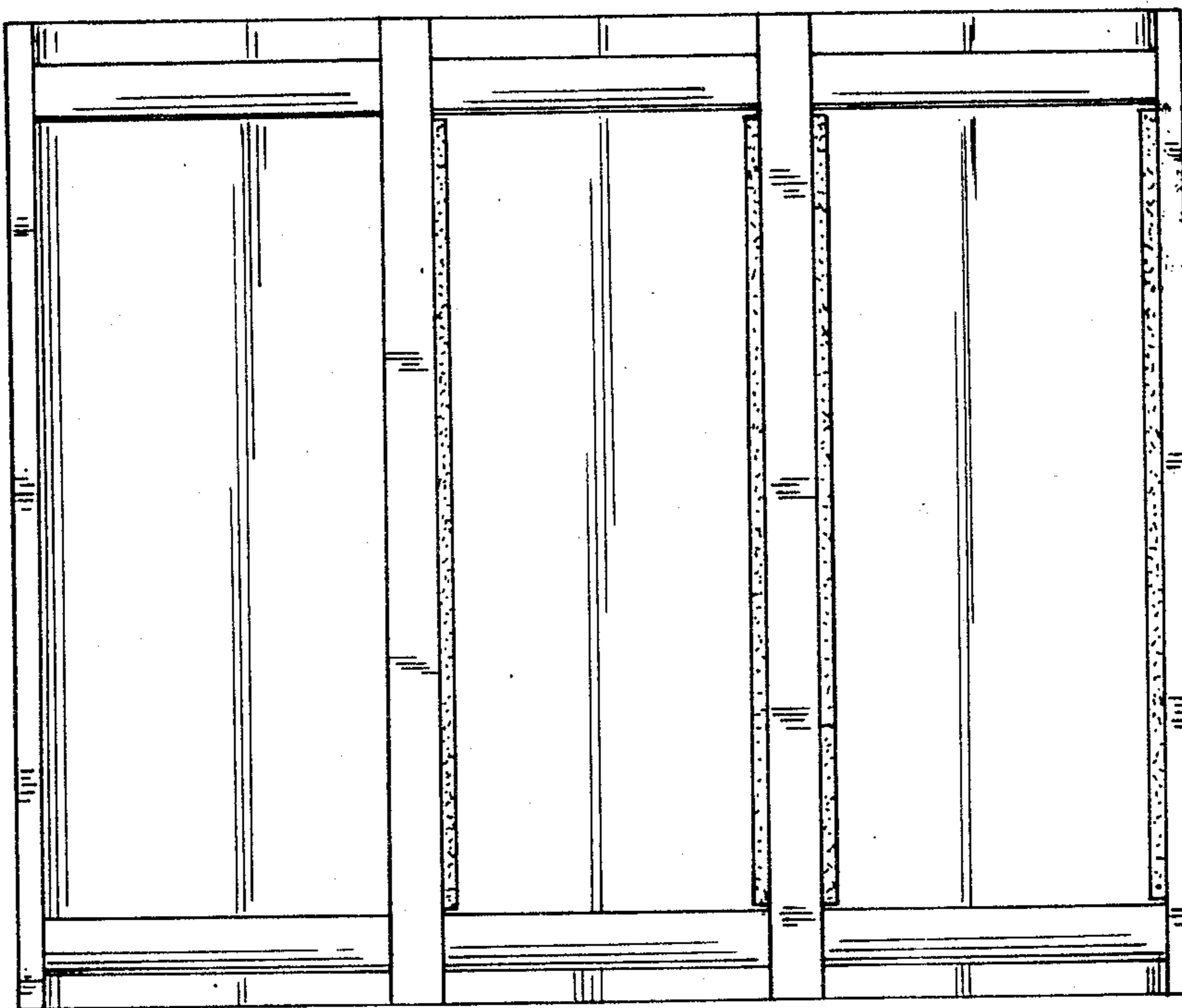


FIG. 3

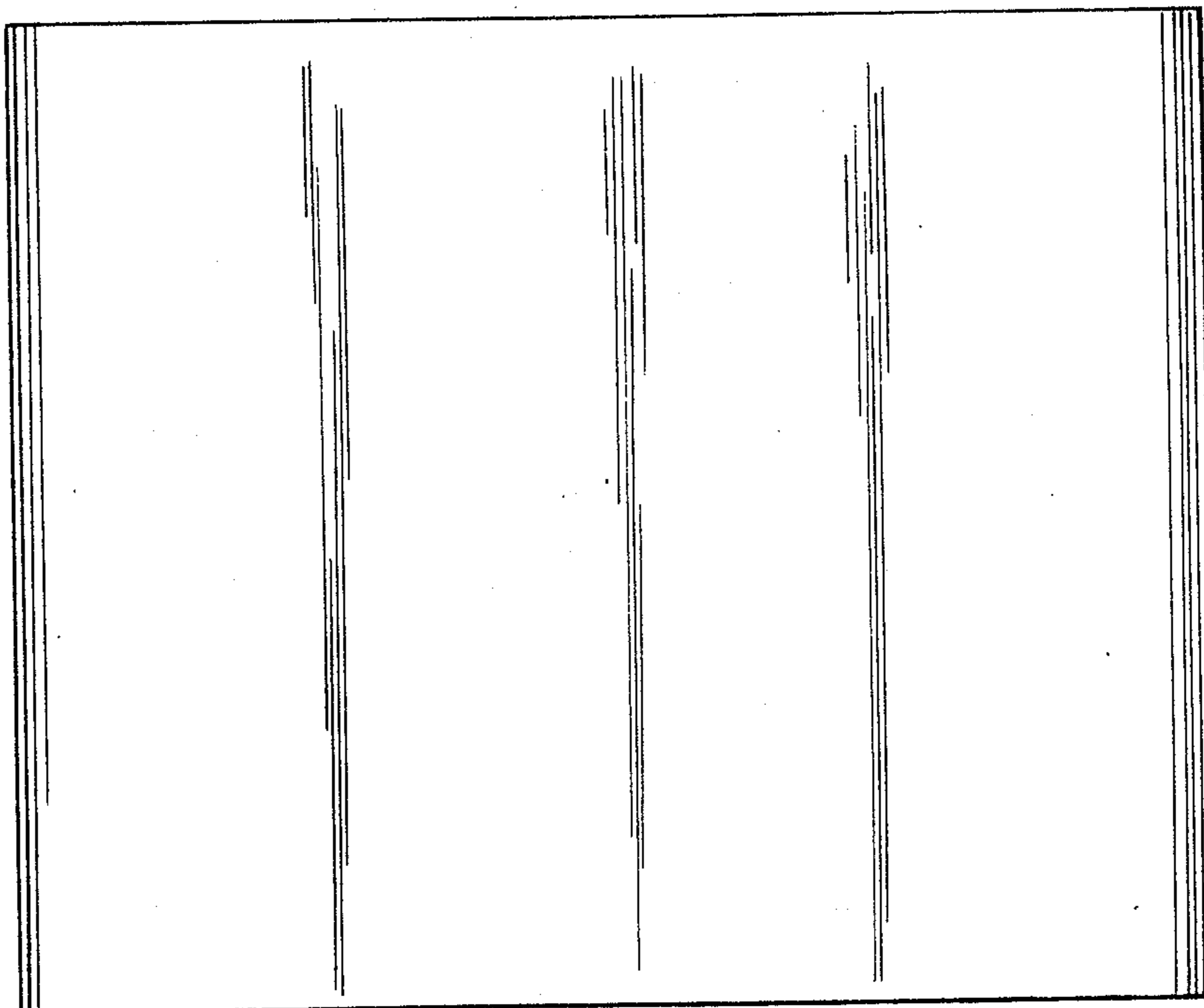


FIG. 4

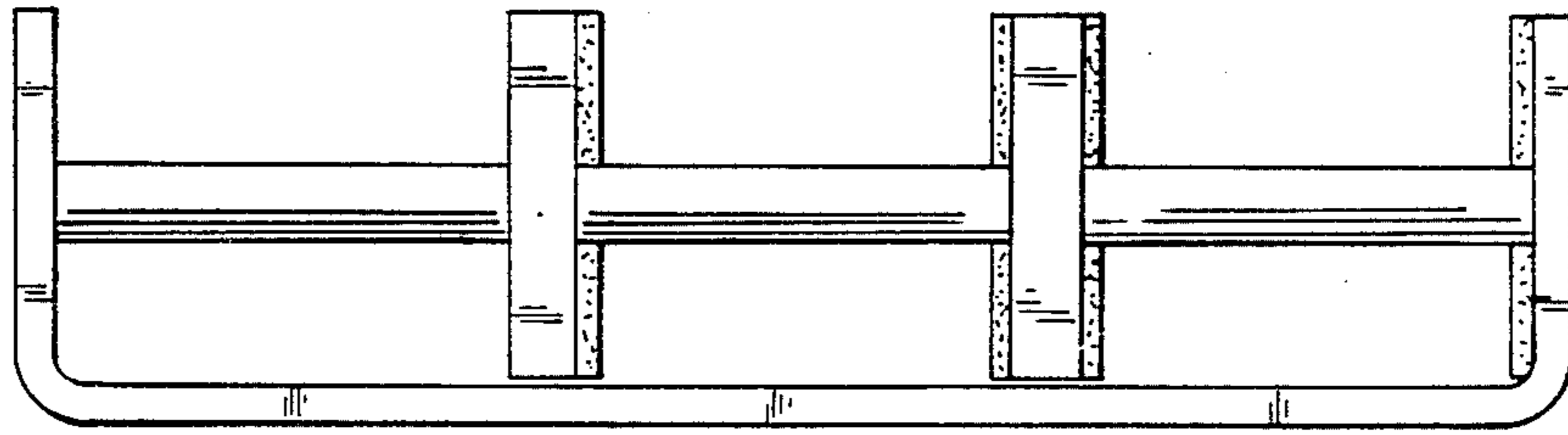


FIG. 5

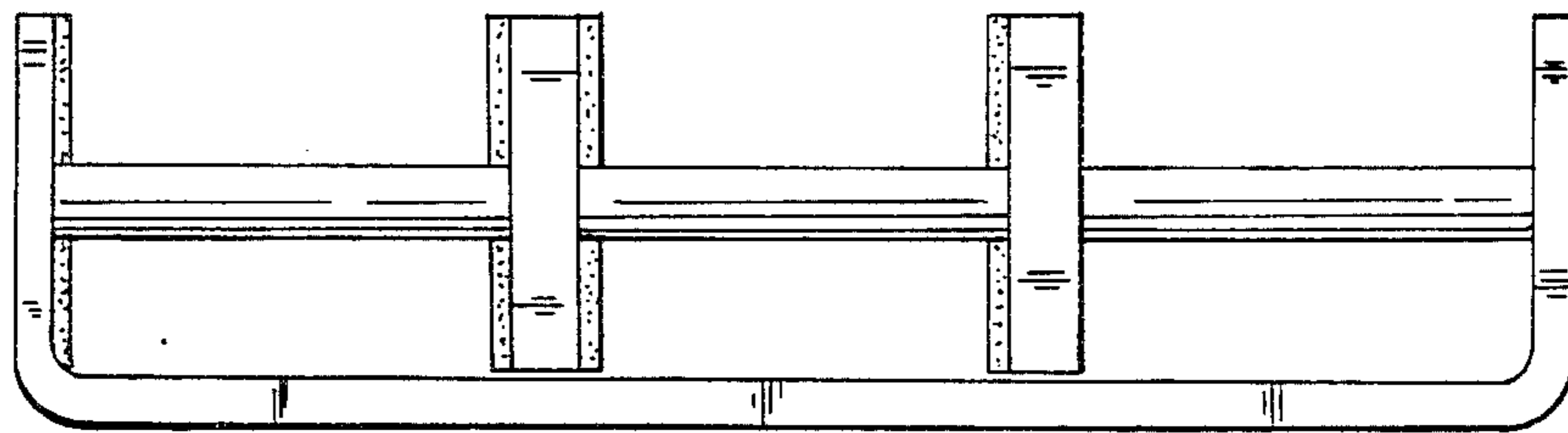
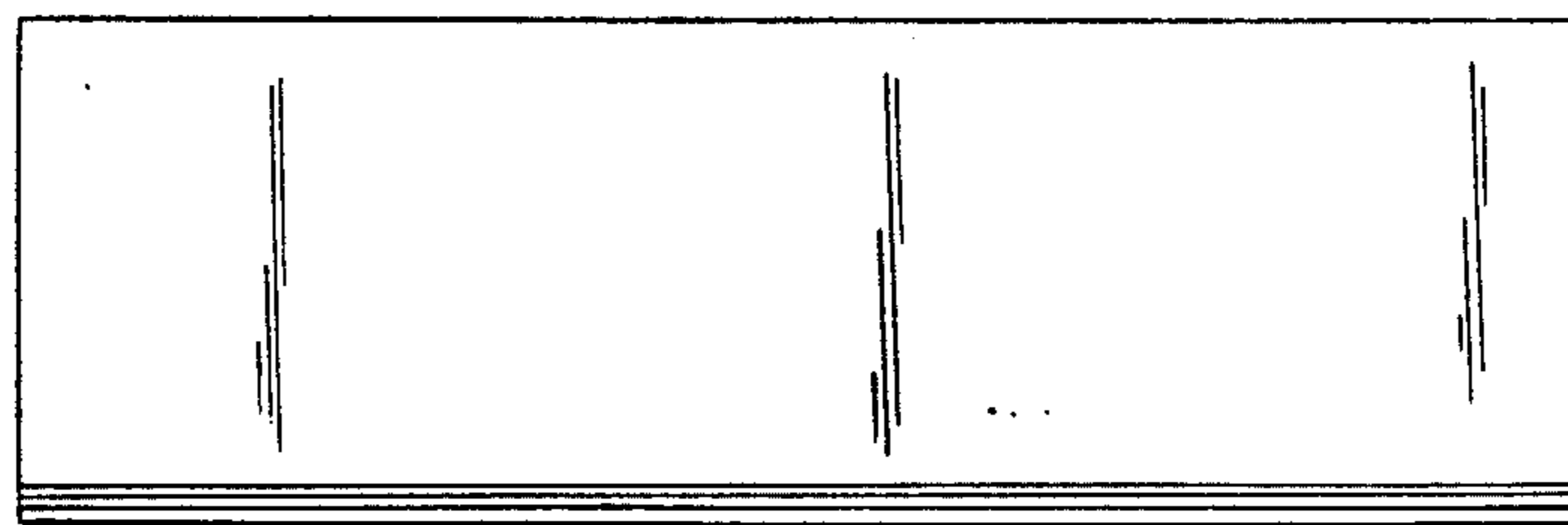


FIG. 6



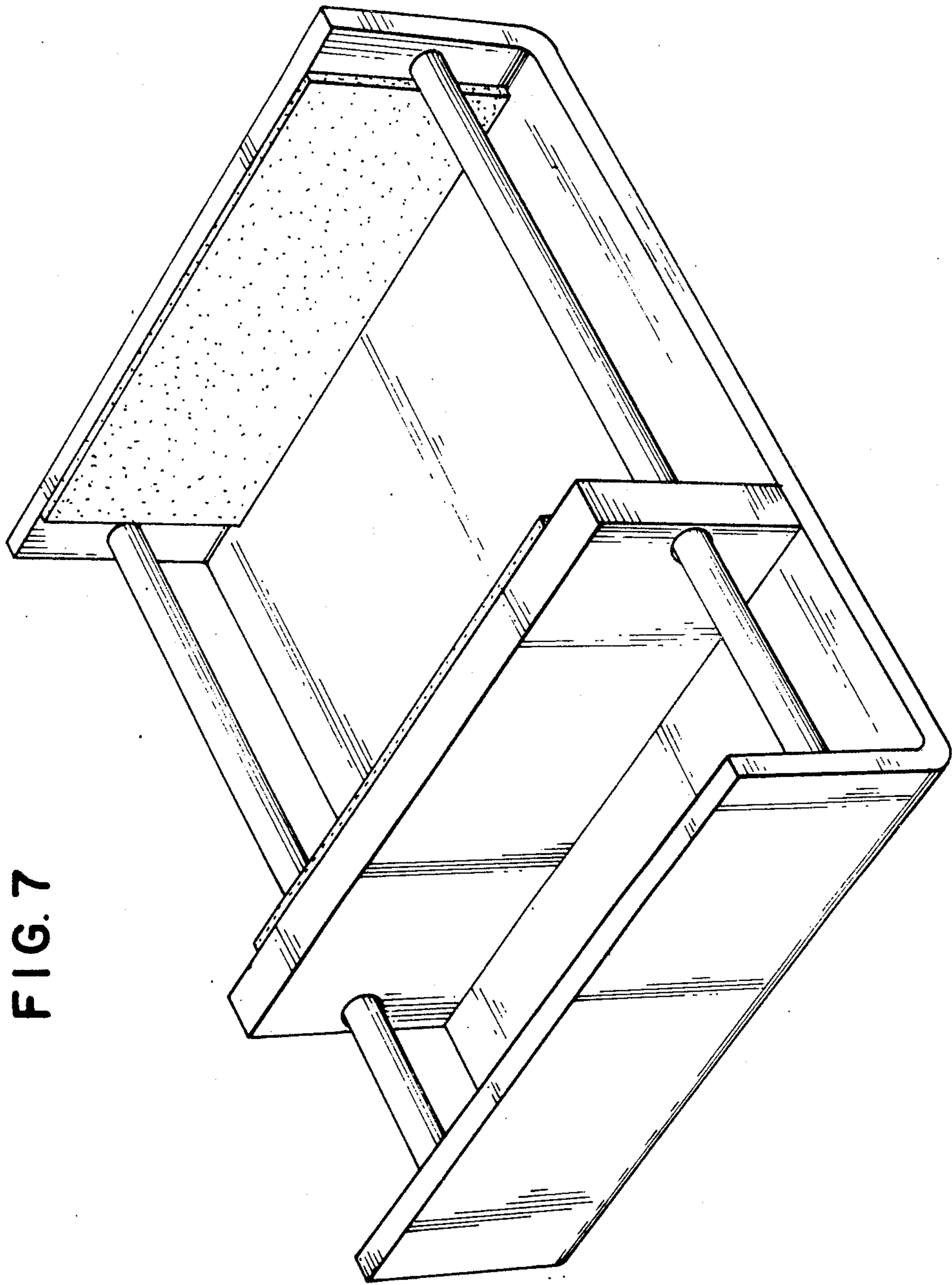


FIG. 7