

[54] DENTAL X-RAY UNIT

[75] Inventors: Bruce A. Makas, Brookfield; Justin B. Bultman, Wauwatosa, both of Wis.

[73] Assignee: Gendex Corporation, Milwaukee, Wis.

[**] Term: 14 Years

[21] Appl. No.: 688,913

[22] Filed: Jan. 4, 1985

[52] U.S. Cl. D24/2; D24/4

[58] Field of Search D24/4-5, D24/10-16, 2, 7; D16/2; 354/62, 293; 378/38, 168, 193, 196-198, 204, 208-210; 248/274-287, 291, 292.1, 323-324; 312/209; 250/453.1, 454.1, 455.1, 522.1, 526; 433/25, 27, 229

[56] References Cited

U.S. PATENT DOCUMENTS

D. 181,521	11/1957	Ensign et al.	D24/2
D. 183,954	11/1958	Storm, Jr. et al.	D24/10 X
D. 217,078	3/1970	Vandervelden et al.	D24/2
D. 217,079	3/1970	Vandervelden et al.	D24/2
D. 223,220	3/1972	Johnson et al.	D24/2
D. 234,544	3/1975	Bobov et al.	D24/2
2,976,417	3/1961	Freeman	378/38
3,617,742	11/1971	Schulman et al.	378/38
3,644,735	2/1972	Vandervelden	378/197 X
4,150,296	4/1979	Edeland et al.	378/170

4,166,602 9/1979 Nilsen et al. 378/197 X

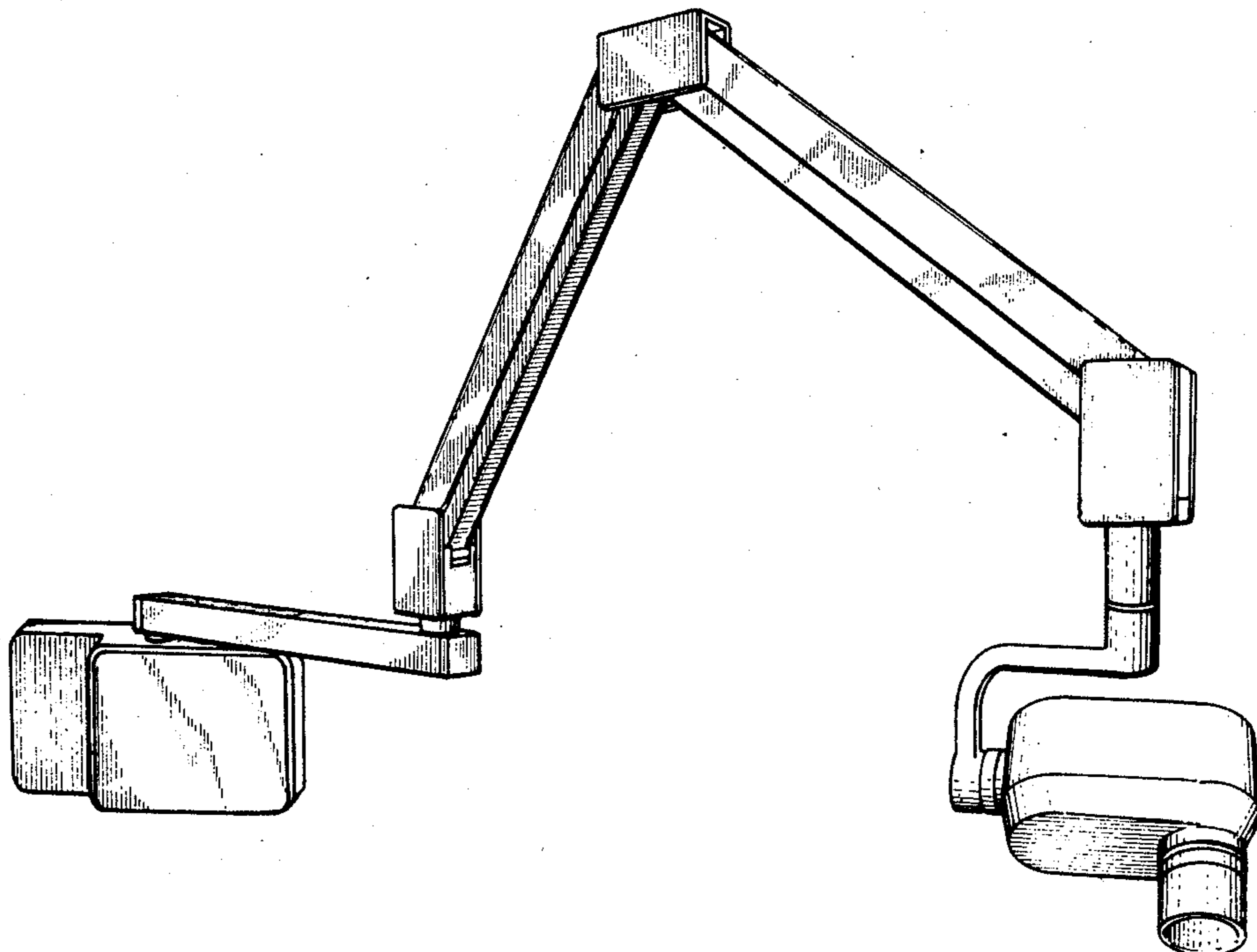
Primary Examiner—Wallace R. Burke
Assistant Examiner—Brian N. Vinson
Attorney, Agent, or Firm—Trexler, Bushnell, Giangiorgi & Blackstone, Ltd.

[57] CLAIM

The ornamental design for a dental X-ray unit, substantially as shown and described.

DESCRIPTION

FIG. 1 is a right side perspective view of a dental X-ray unit showing our new design;
 FIG. 2 is a right side perspective view thereof, with the arm shown extended and the tube arm pivoted;
 FIG. 3 is a left side perspective view thereof, with the tube arm pivoted and the tube head rotated downward;
 FIG. 4 is a front and right side perspective view thereof, with the tube arm pivoted and the tube head rotated upward;
 FIG. 5 is an enlarged fragmentary rear perspective view of the tube head element thereof, with the arm elements omitted for clarity of illustration;
 FIG. 6 is an enlarged fragmentary front perspective view of the tube head element thereof, with the tube head rotated downward and the arm elements omitted for clarity of illustration; and
 FIG. 7 is an enlarged fragmentary side perspective view of the tube head element thereof, with the tube head rotated downward and the arm elements omitted for clarity of illustration.



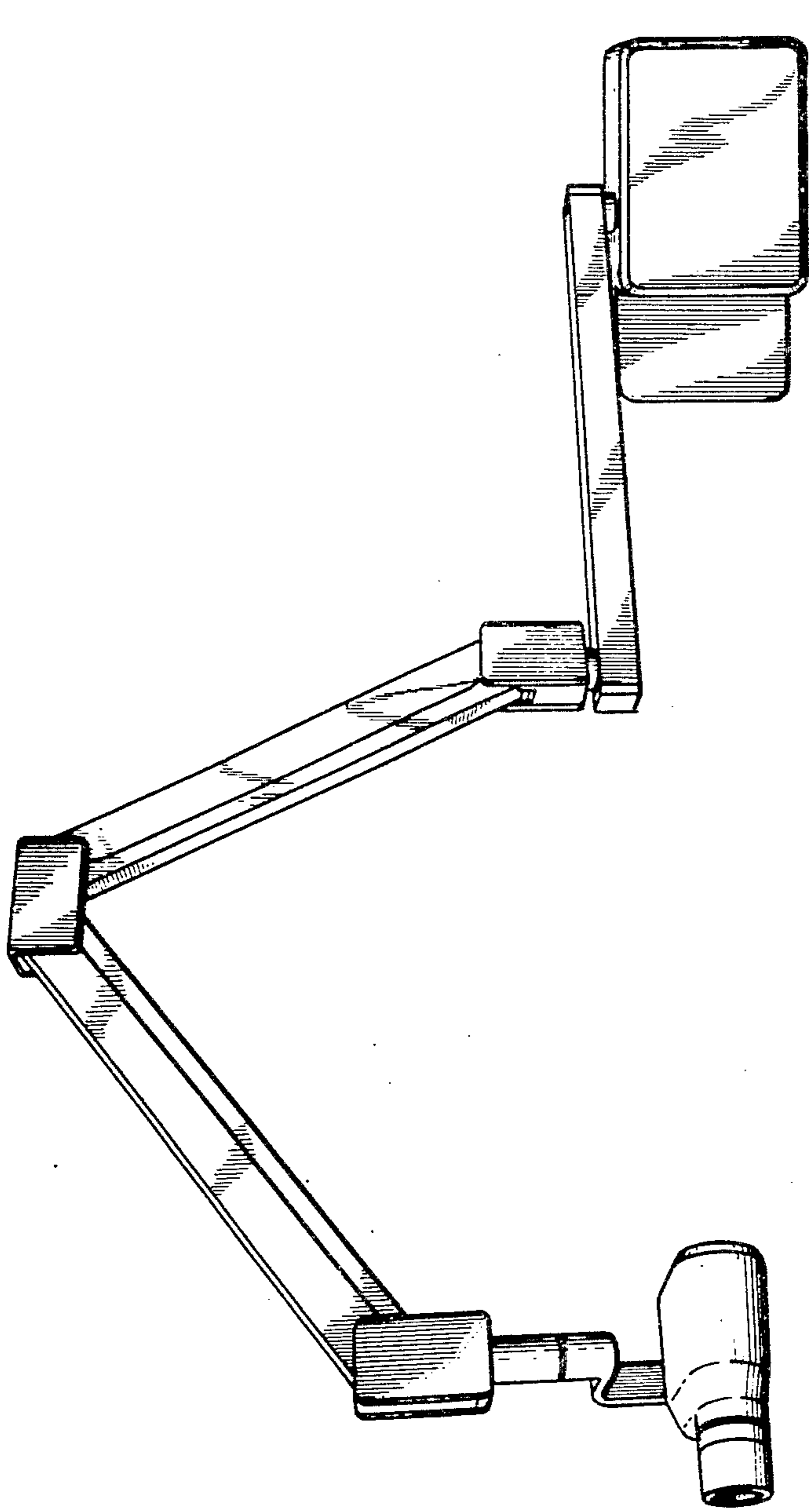


FIG. 1

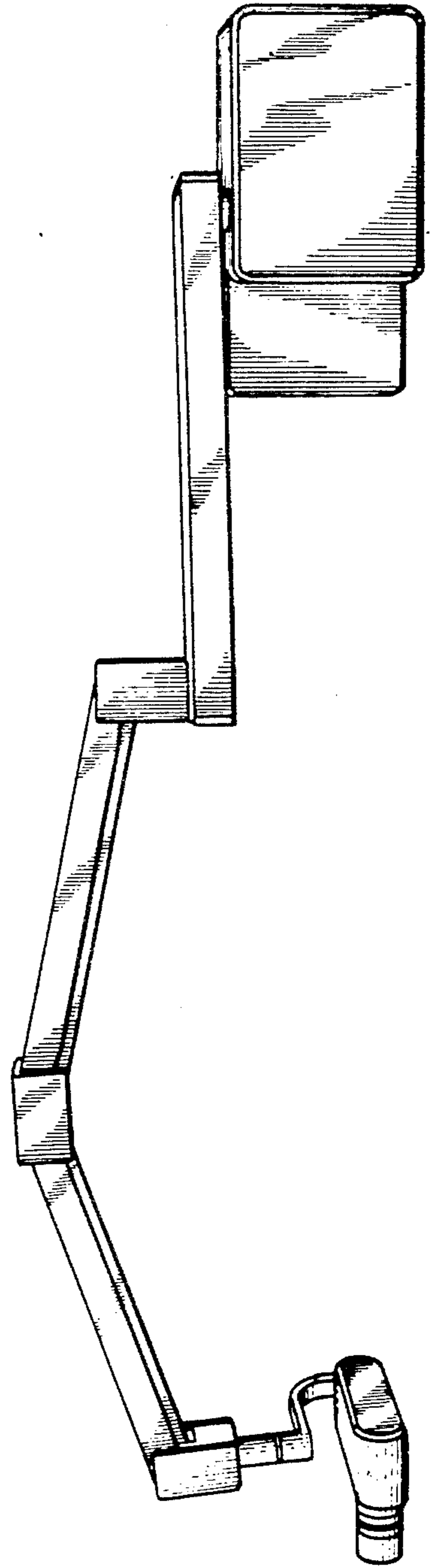


FIG. 2

FIG. 3

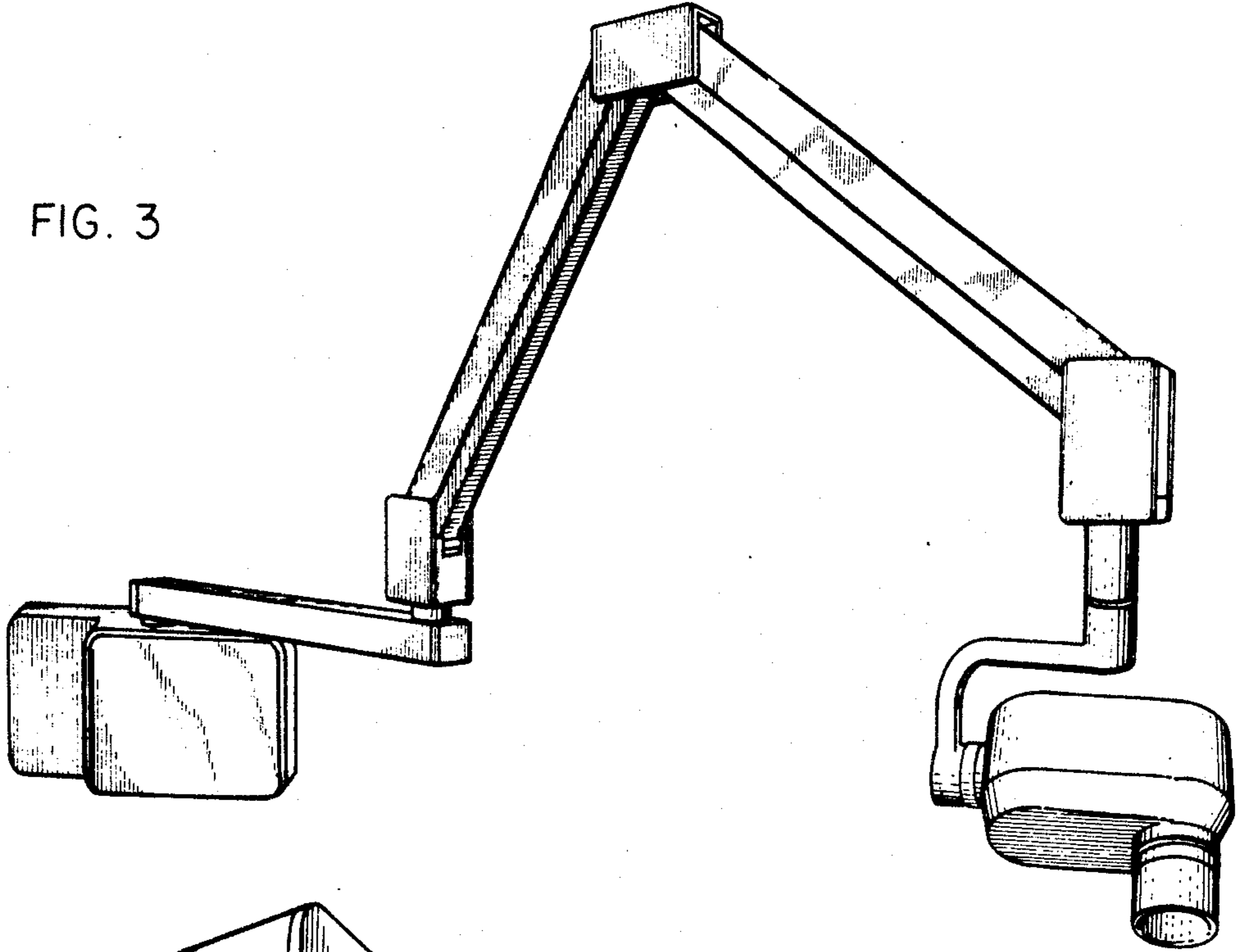


FIG. 4

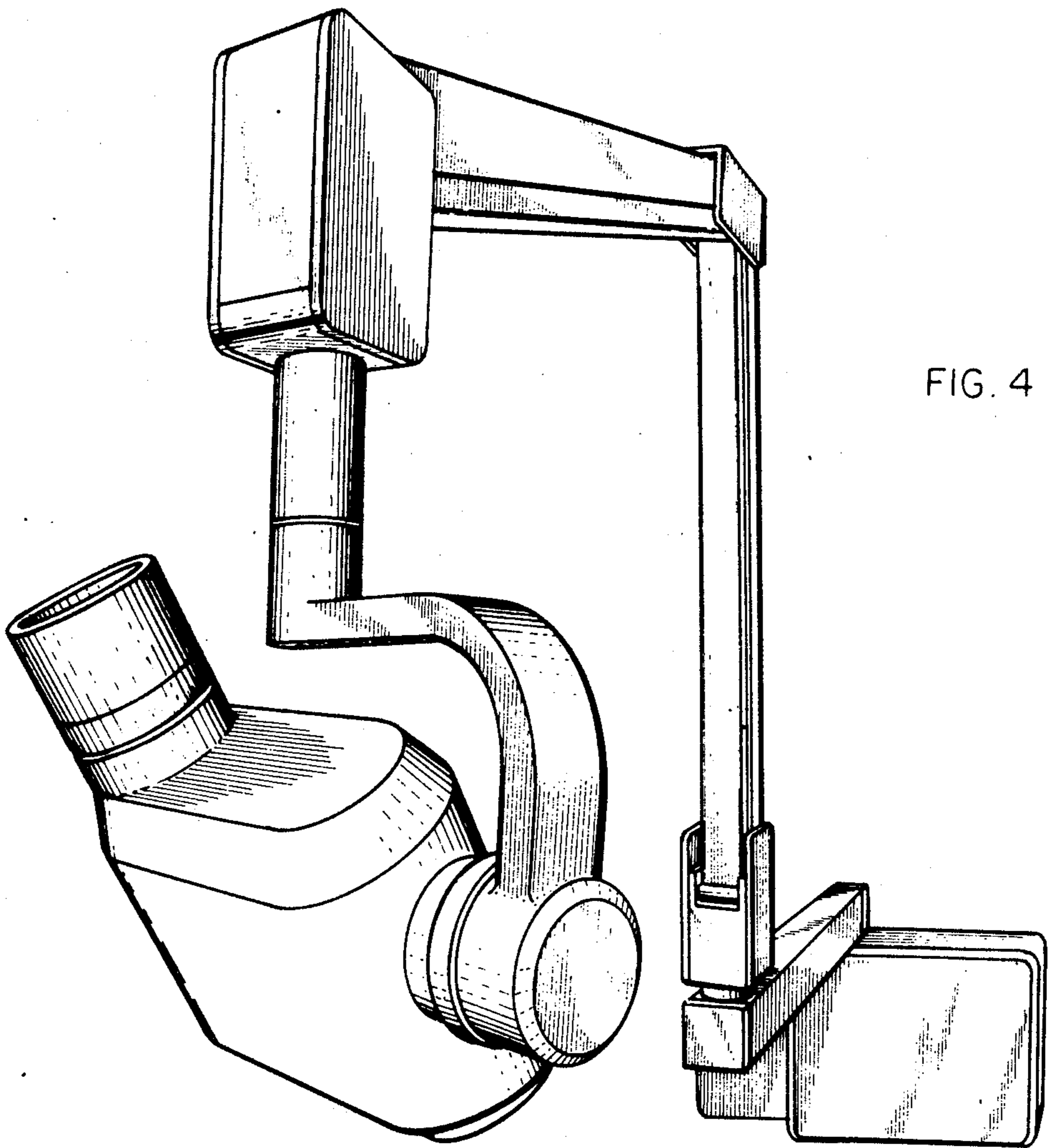


FIG. 5

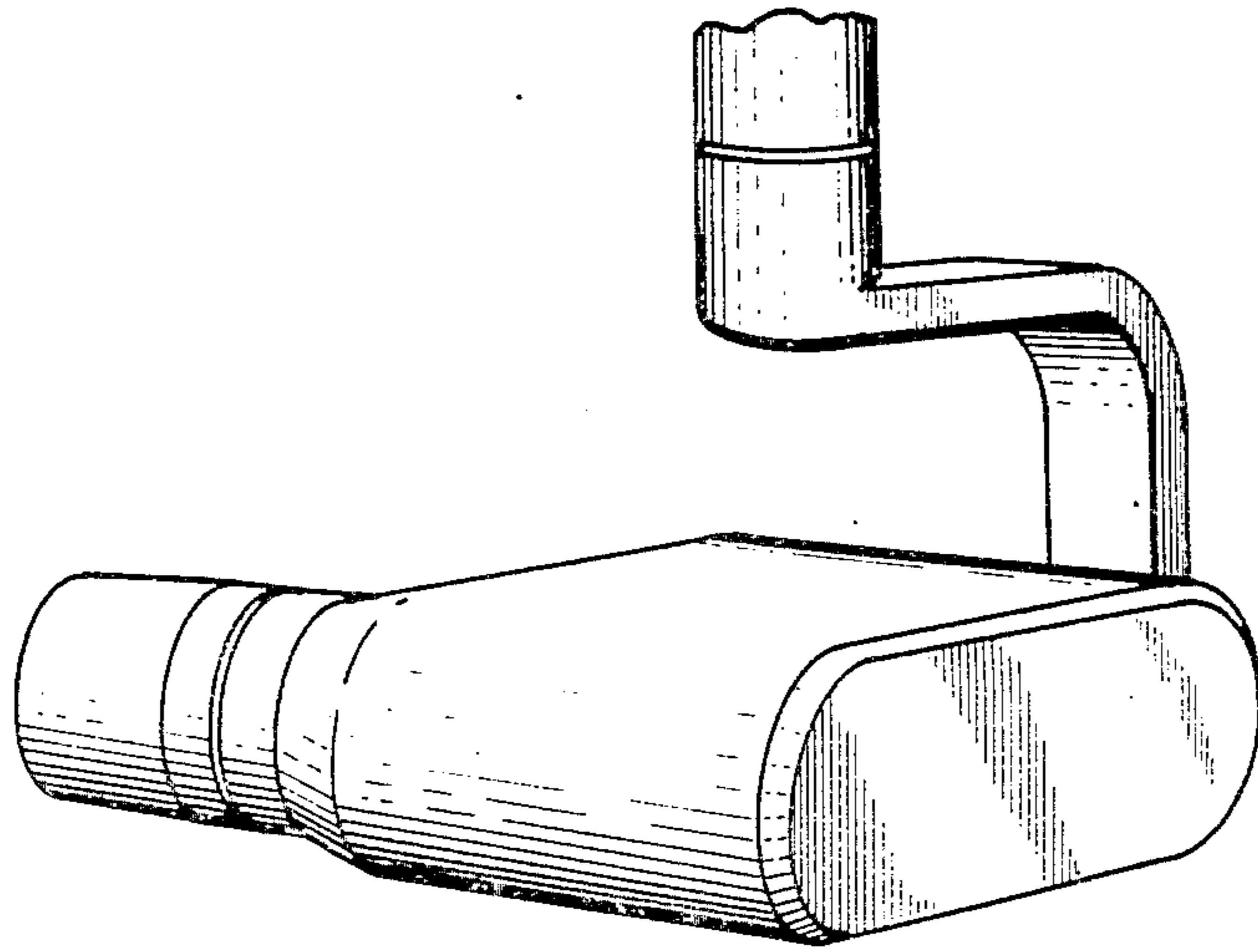


FIG. 6

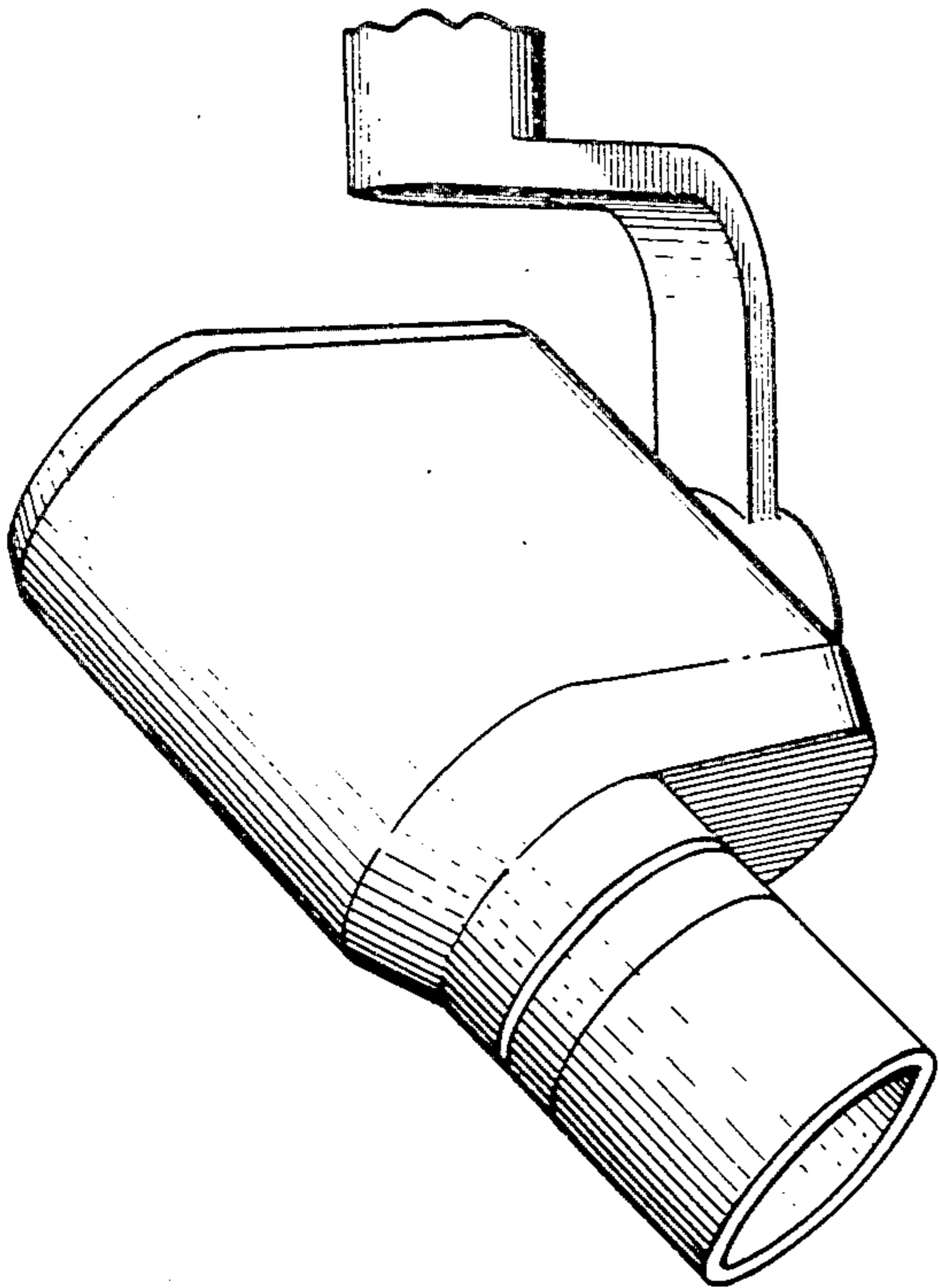


FIG. 7

