

[54] SHOWER HEAD

[75] Inventor: Hing W. Huen, Kowloon, Hong Kong

[73] Assignee: Fairform Mfg. Co. Ltd., Hong Kong, Hong Kong

[**] Term: 14 Years

[21] Appl. No.: 674,854

[22] Filed: Nov. 26, 1984

[30] Foreign Application Priority Data

| | | |
|----------------------|----------------|----------------------------|
| Jul. 11, 1984 [GB] | United Kingdom | 1020876 |
| [52] U.S. Cl. | | D23/35 |
| [58] Field of Search | | D23/34-39; 239/460, 587 |

[56]

References Cited

U.S. PATENT DOCUMENTS

| | | | |
|------------|--------|---------------|-----------|
| D. 235,445 | 6/1975 | MacKay et al. | D23/35 |
| D. 251,679 | 4/1979 | Kwan | D23/35 |
| D. 267,581 | 1/1983 | MacKay et al. | D23/35 |
| 3,189,284 | 6/1965 | Downey | 239/587 X |
| 3,380,664 | 4/1968 | Miller et al. | 239/460 X |
| 3,887,136 | 6/1975 | Anderson | 239/587 X |

Primary Examiner—James R. Lergen
Attorney, Agent, or Firm—Bacon & Thomas

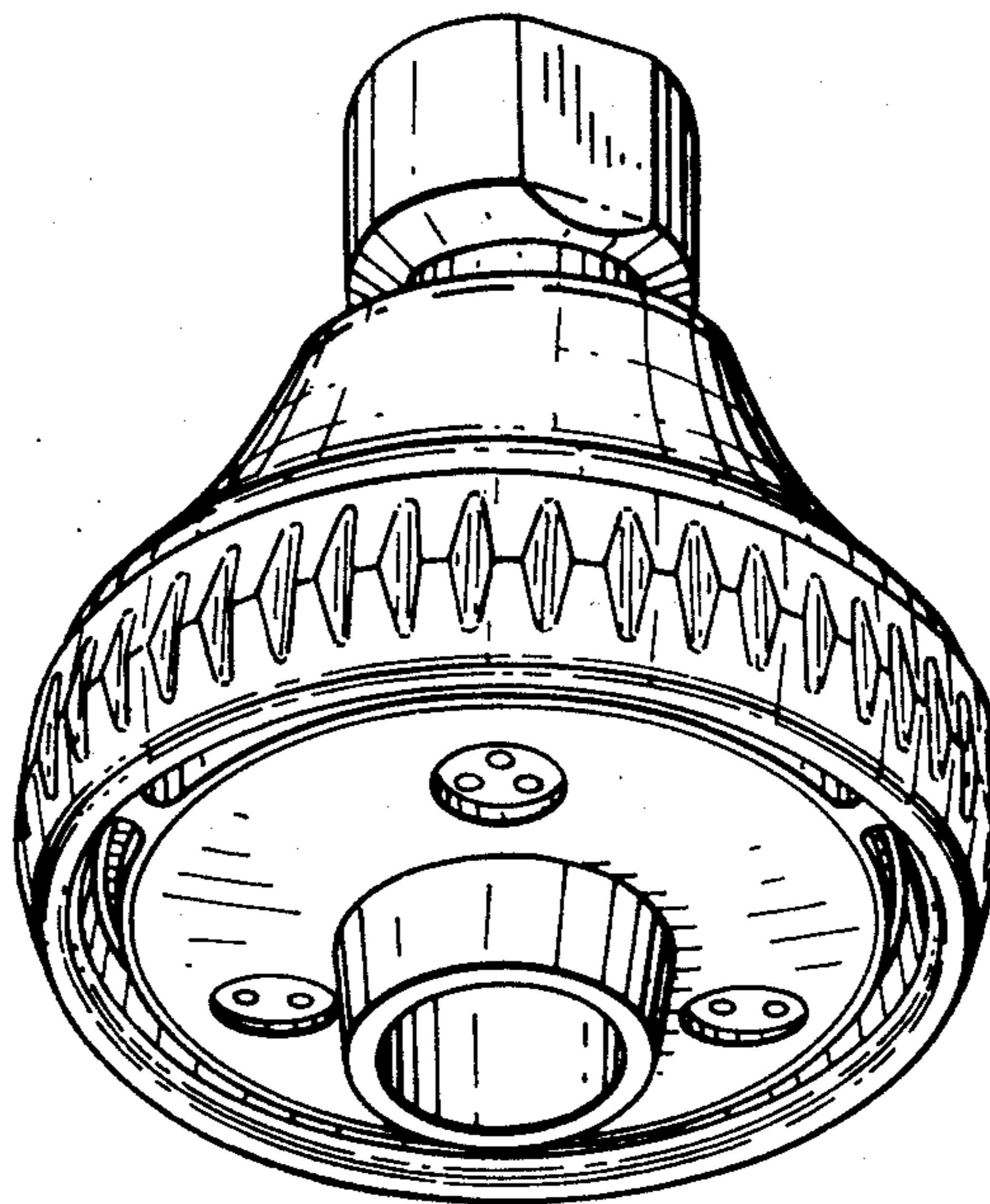
[57]

CLAIM

The ornamental design for a shower head, substantially shown.

DESCRIPTION

FIG. 1 is a side elevational view of a shower head showing my new design;
 FIG. 2 is a bottom plan view thereof;
 FIG. 3 is a top plan view thereof;
 FIG. 4 is a perspective view taken from the top and side thereof; and
 FIG. 5 is a bottom perspective view thereof.



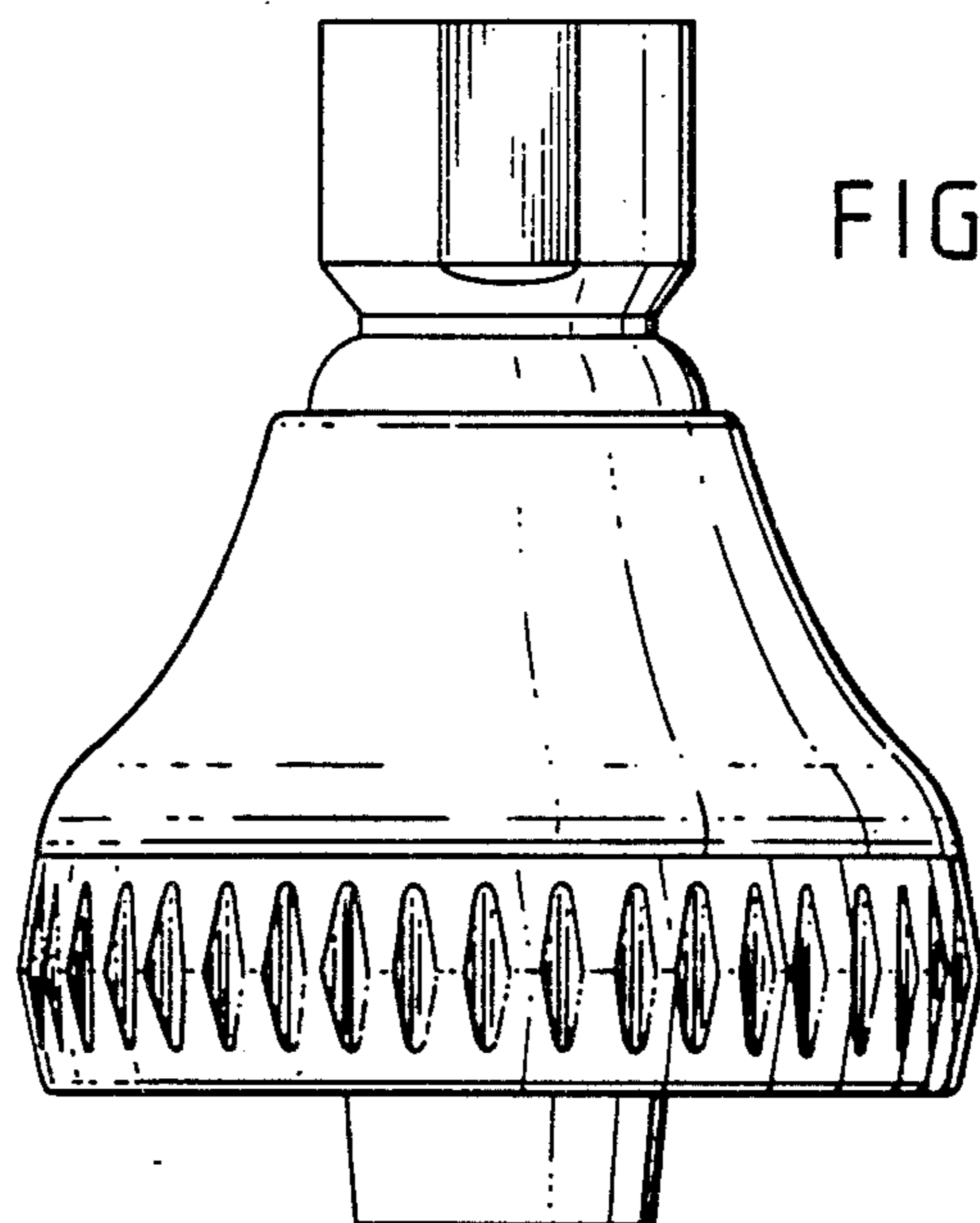


FIG. 1.

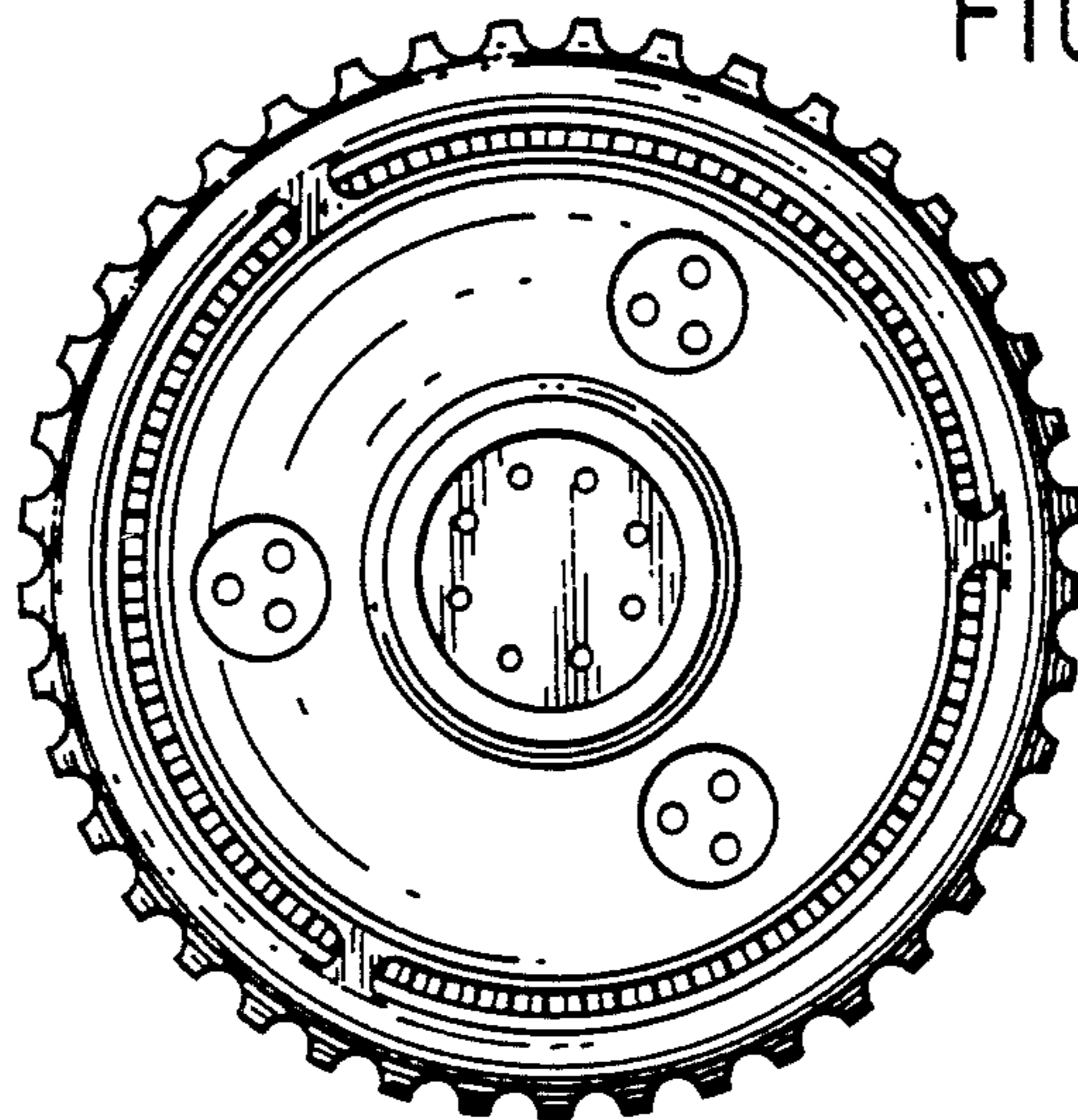


FIG. 2.

FIG. 3.

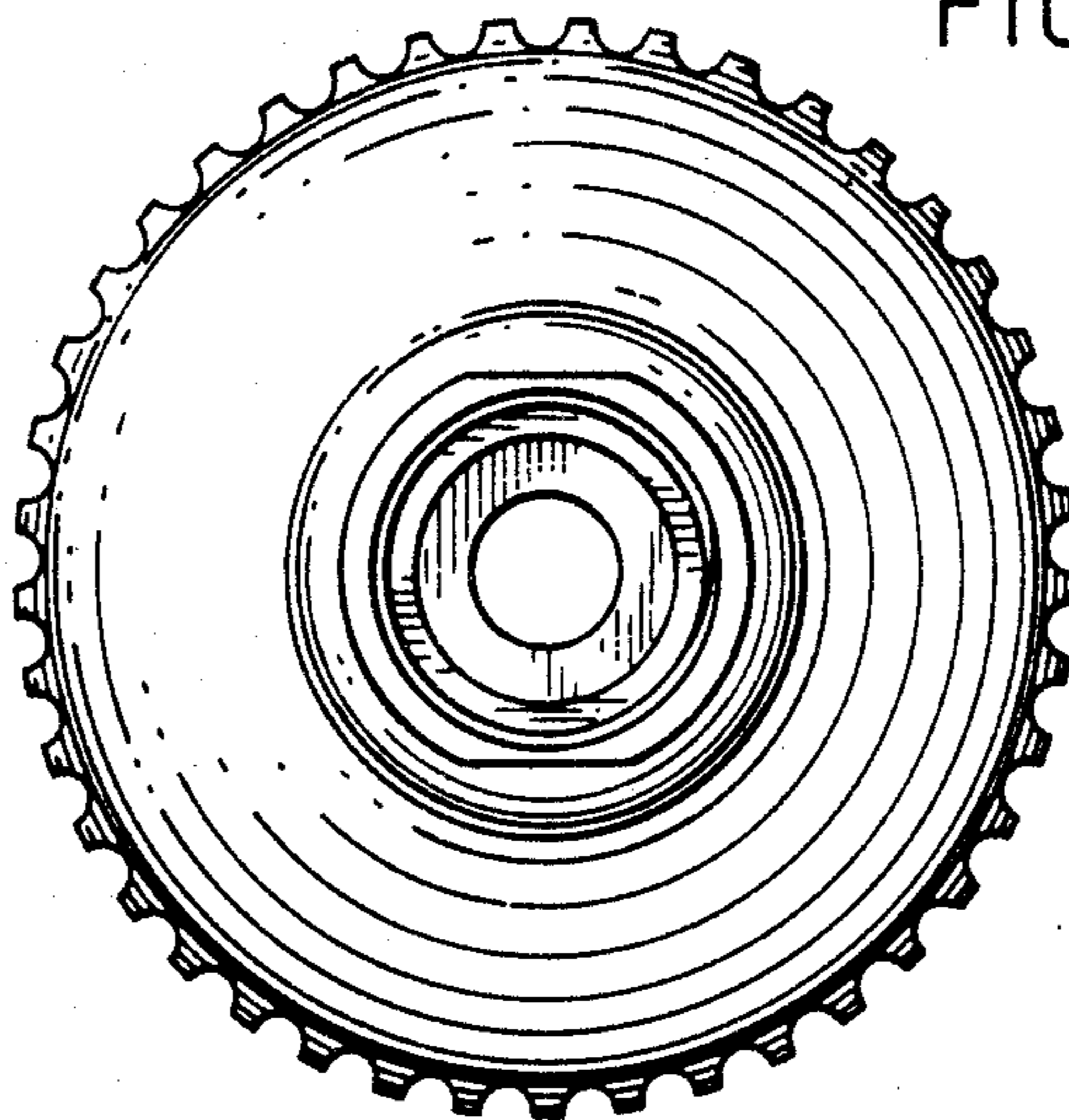
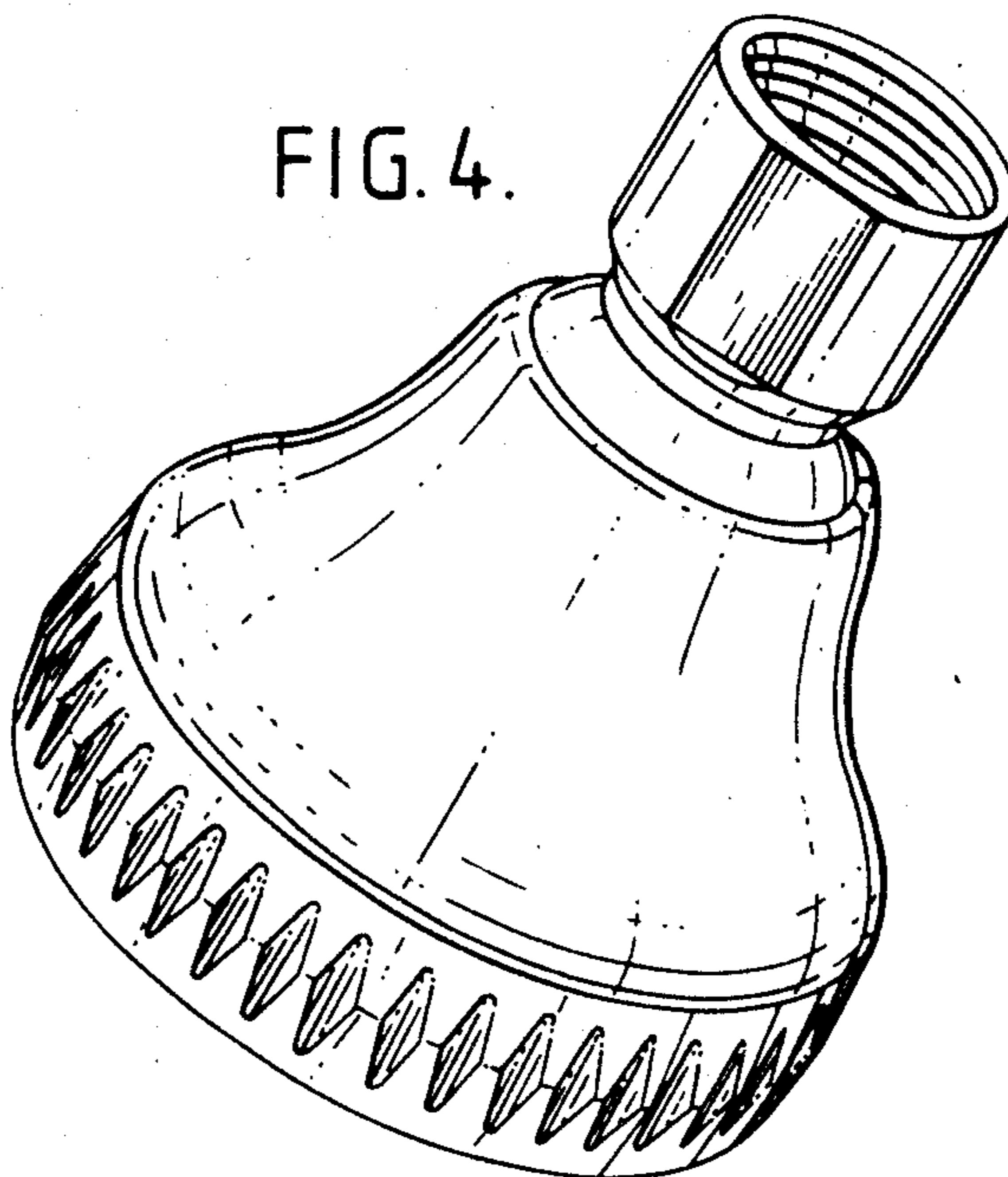


FIG. 4.



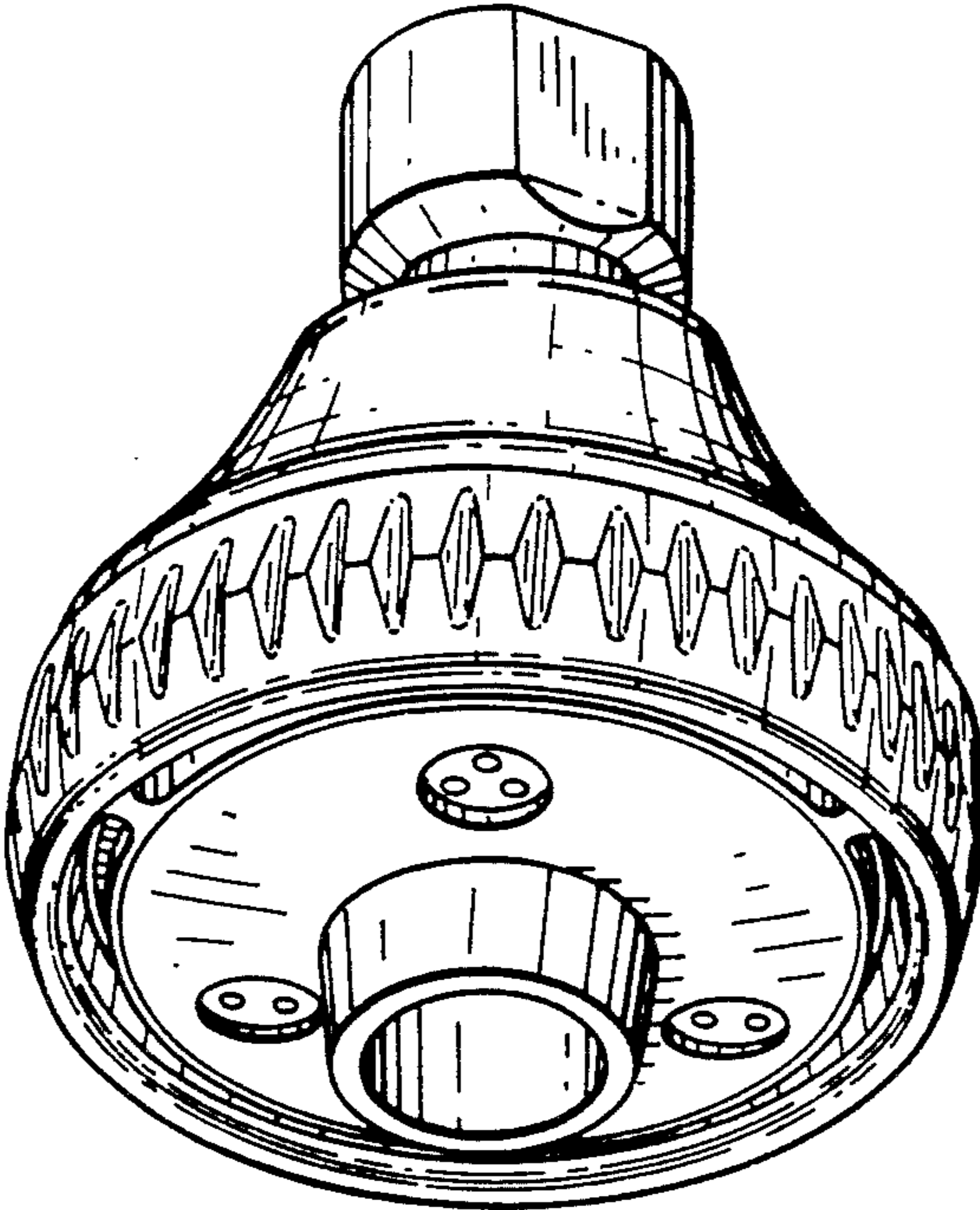


FIG. 5.