

[54] KITCHEN FAUCET

3,035,612 5/1962 Lyon D23/23 X

[75] Inventors: Charles P. Hill, Indianapolis; Anthony G. Spangler, Sheridan; Joe D. Hutto, Indianapolis, all of Ind.

OTHER PUBLICATIONS

Domestic Engineering, Mar. 1964, pp. 102 and 103.
Domestic Engineering, Sep. 1968, p. 36.
House & Home, Sep. 1959, p. 66.

[73] Assignee: Masco Corporation of Indiana, Taylor, Mich.

Primary Examiner—James R. Largen
Attorney, Agent, or Firm—Steven L. Permut; Malcolm L. Sutherland; Leon E. Redman

[**] Term: 14 Years

[21] Appl. No.: 803,723

[57] CLAIM

[22] Filed: Dec. 2, 1985

The ornamental design for a kitchen faucet, substantially as shown and described.

[52] U.S. Cl. D23/23

[58] Field of Search D23/23-32;
4/191, 192, 591; 137/801

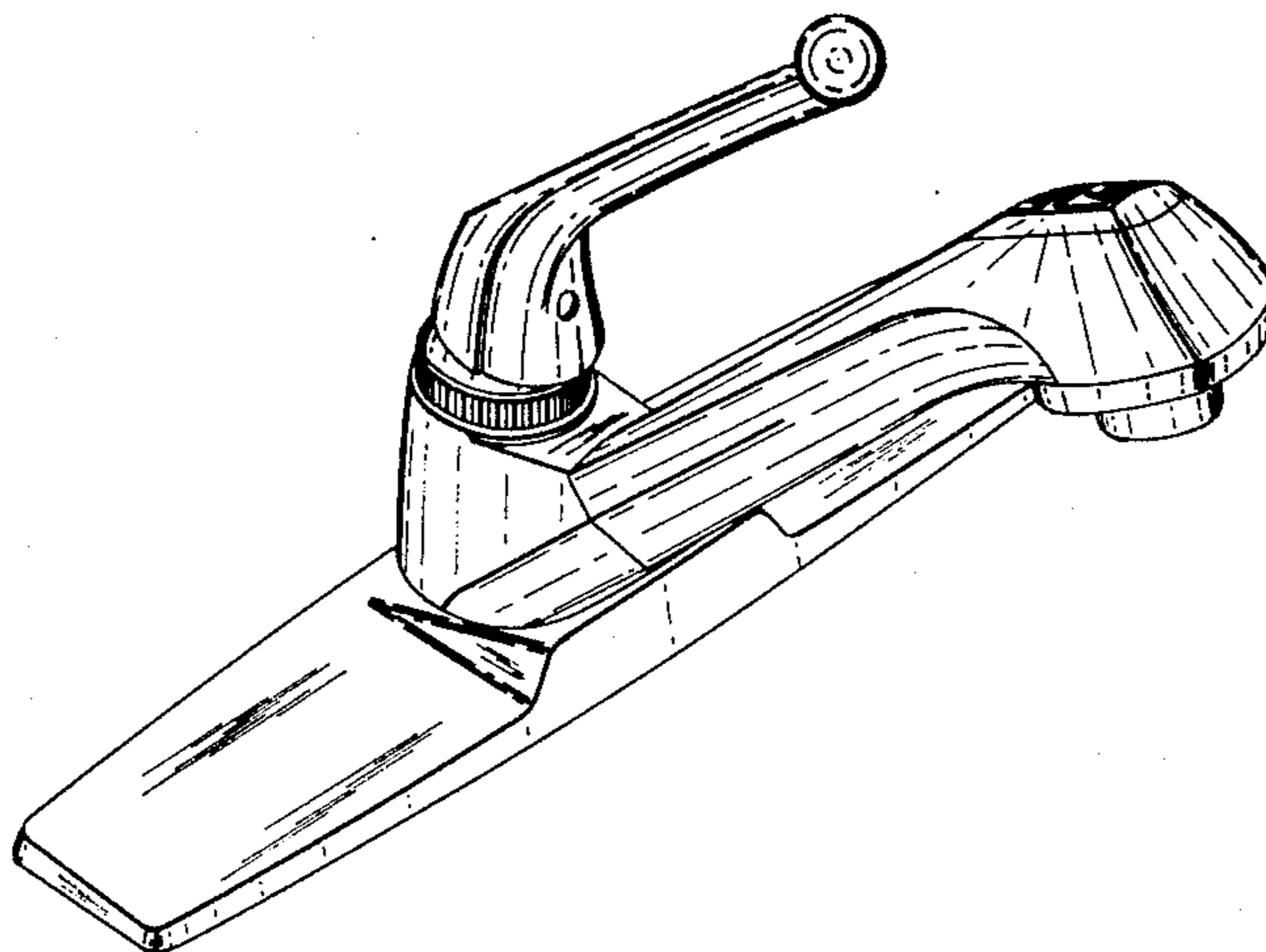
DESCRIPTION

[56] References Cited

U.S. PATENT DOCUMENTS

D. 193,885	10/1962	Andrews	D23/23
D. 197,000	11/1963	Landell et al.	D23/23
D. 203,246	12/1965	Harvey et al.	D23/23
D. 213,874	4/1969	Landell et al.	D23/23
D. 219,779	1/1971	Tiller	D23/23

FIG. 1 is a top perspective view of a kitchen faucet showing our new design;
FIG. 2 is a left side elevational view thereof, the right side being a mirror image of the left side shown;
FIG. 3 is a top plan view thereof;
FIG. 4 is a front elevational view thereof;
FIG. 5 is a rear elevational view thereof; and
FIG. 6 is a bottom plan view thereof.



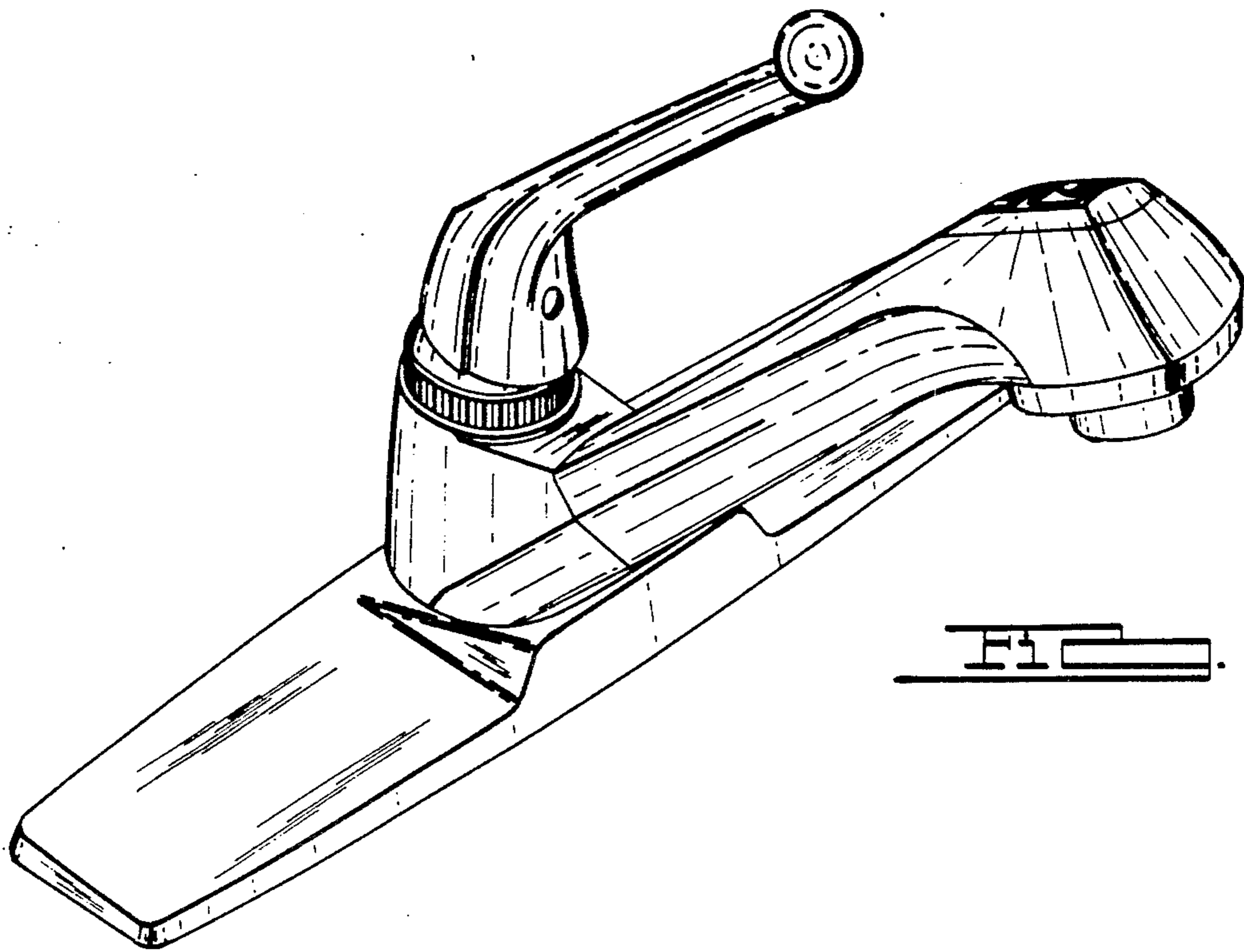


FIG. 1

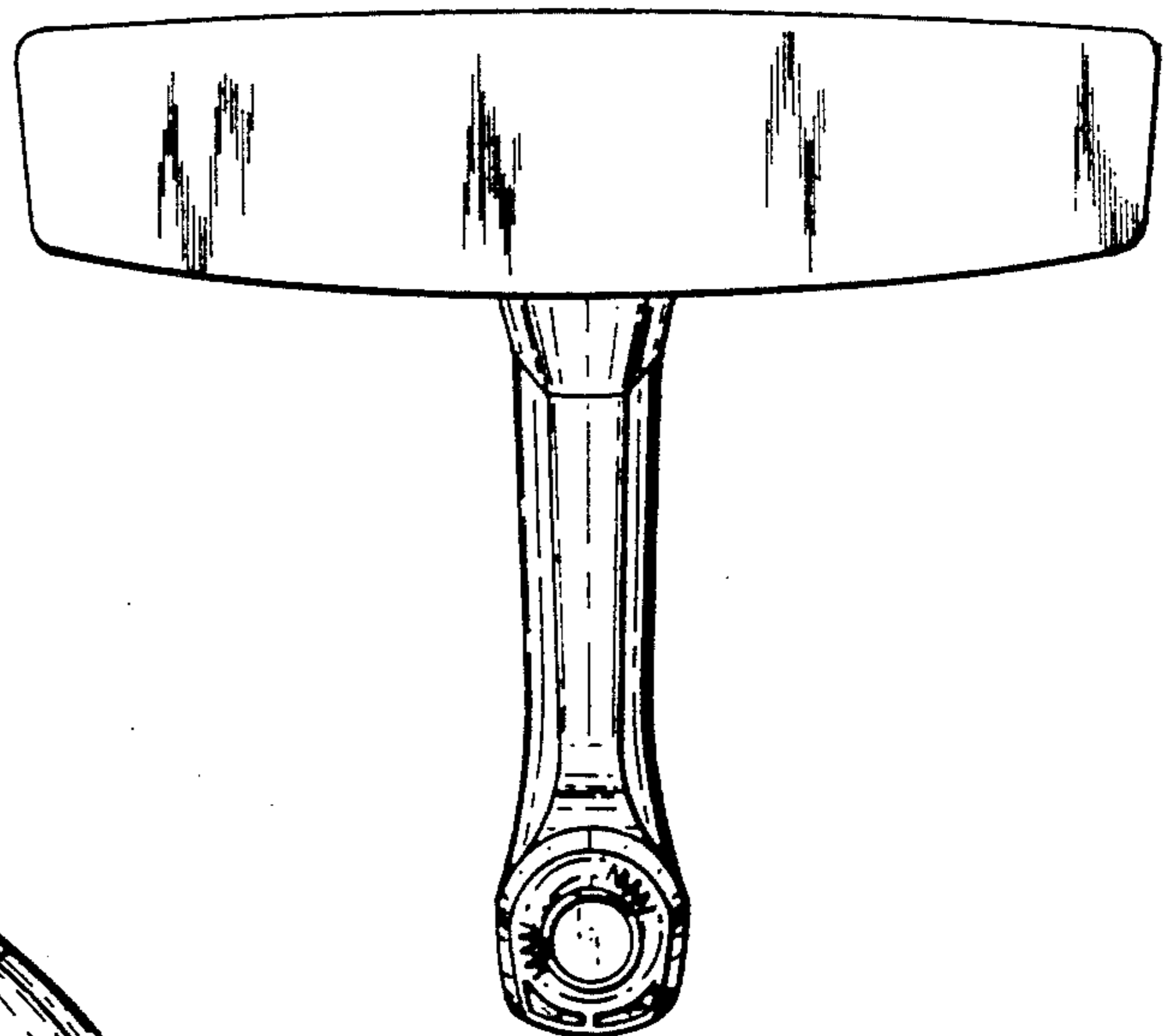


FIG. 2

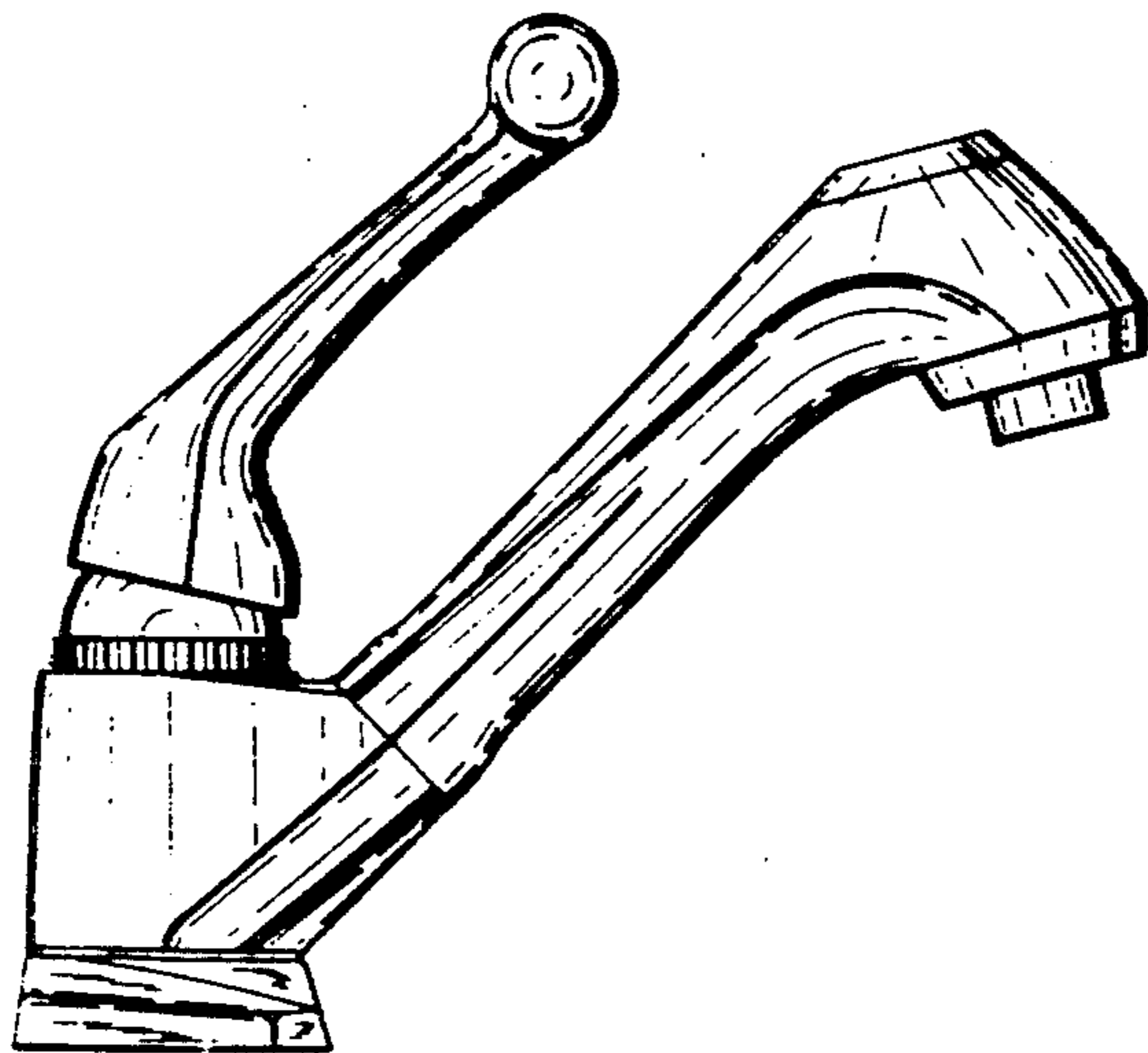


FIG. 3

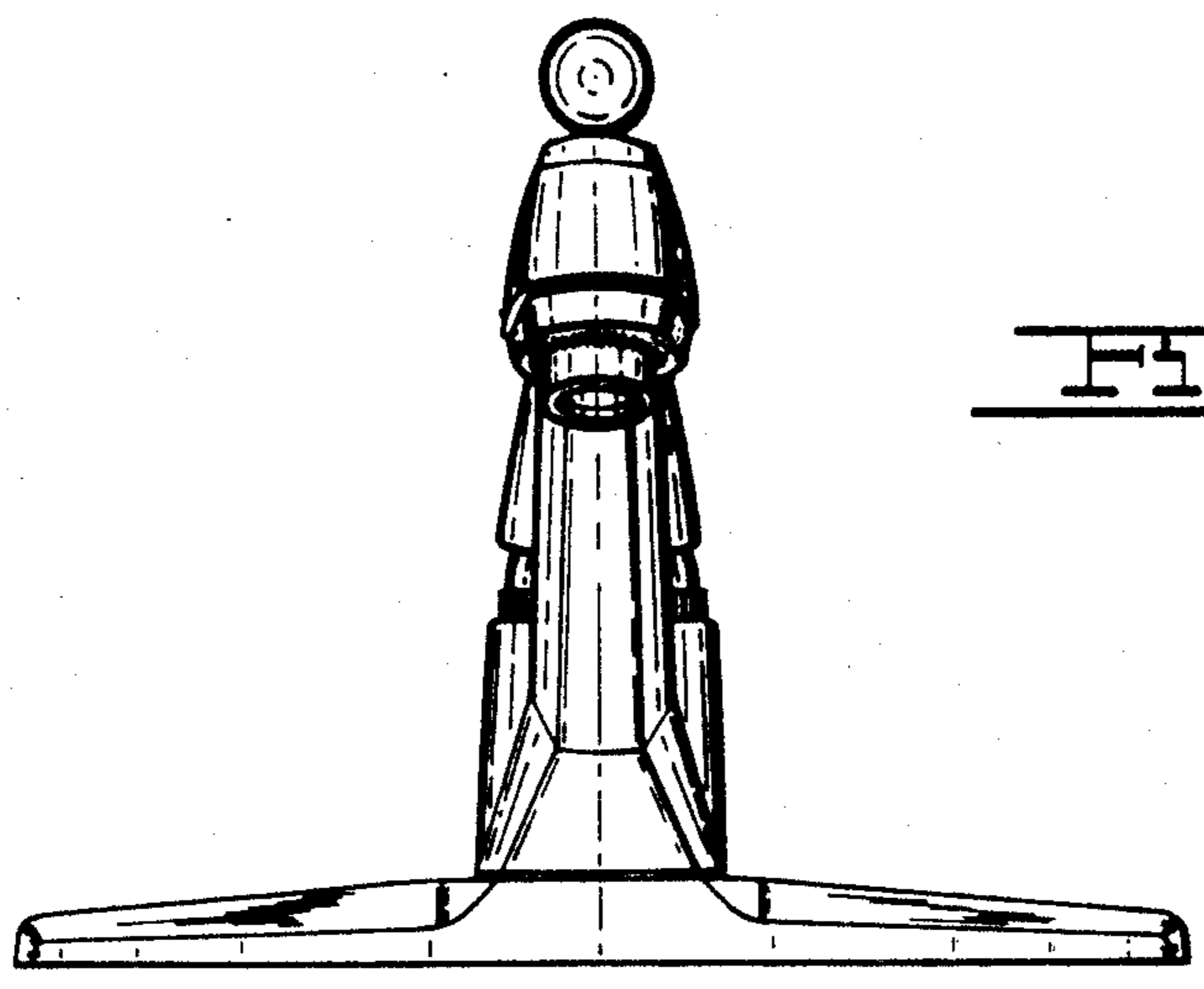


FIG. 4.

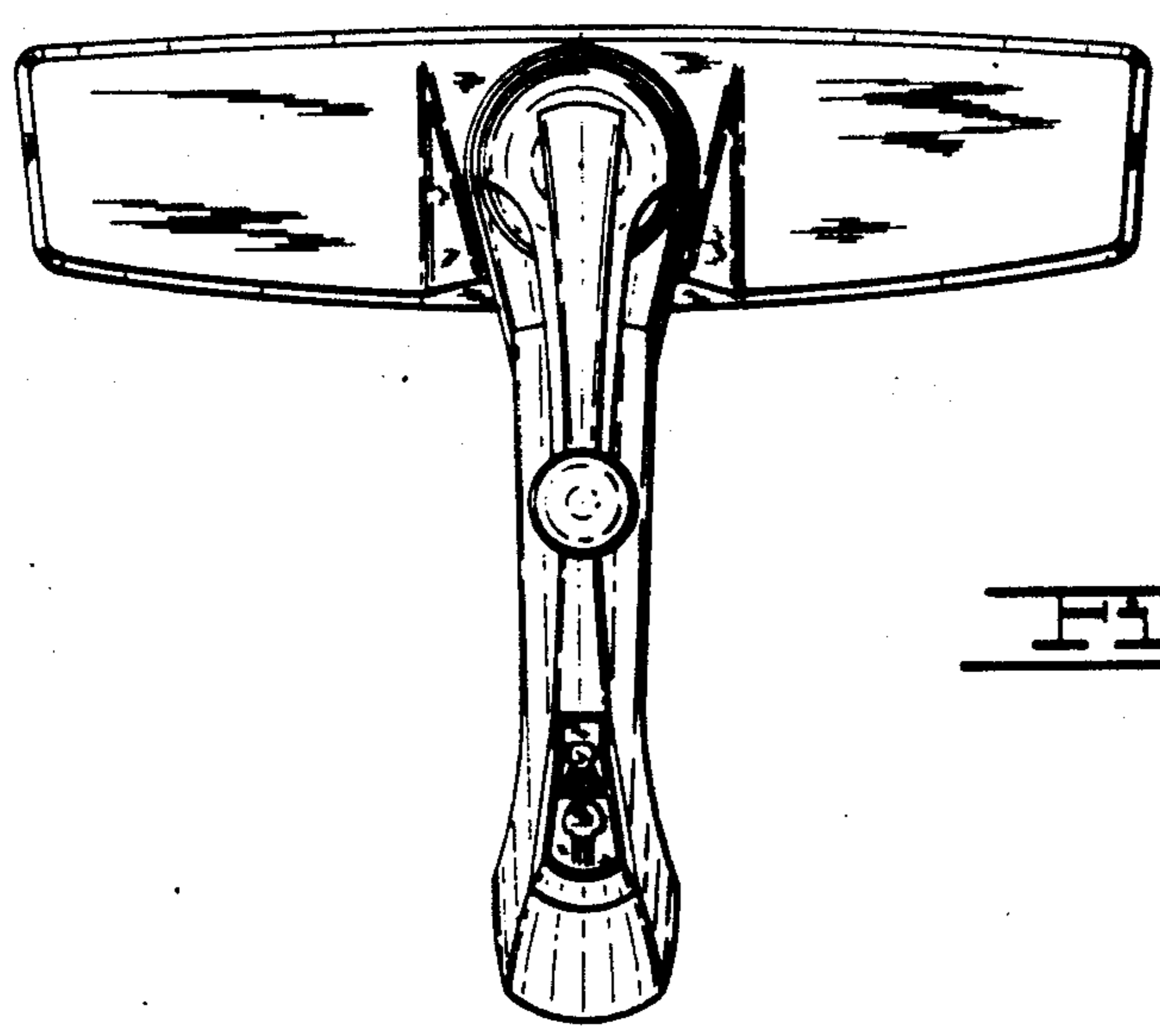


FIG. 3.

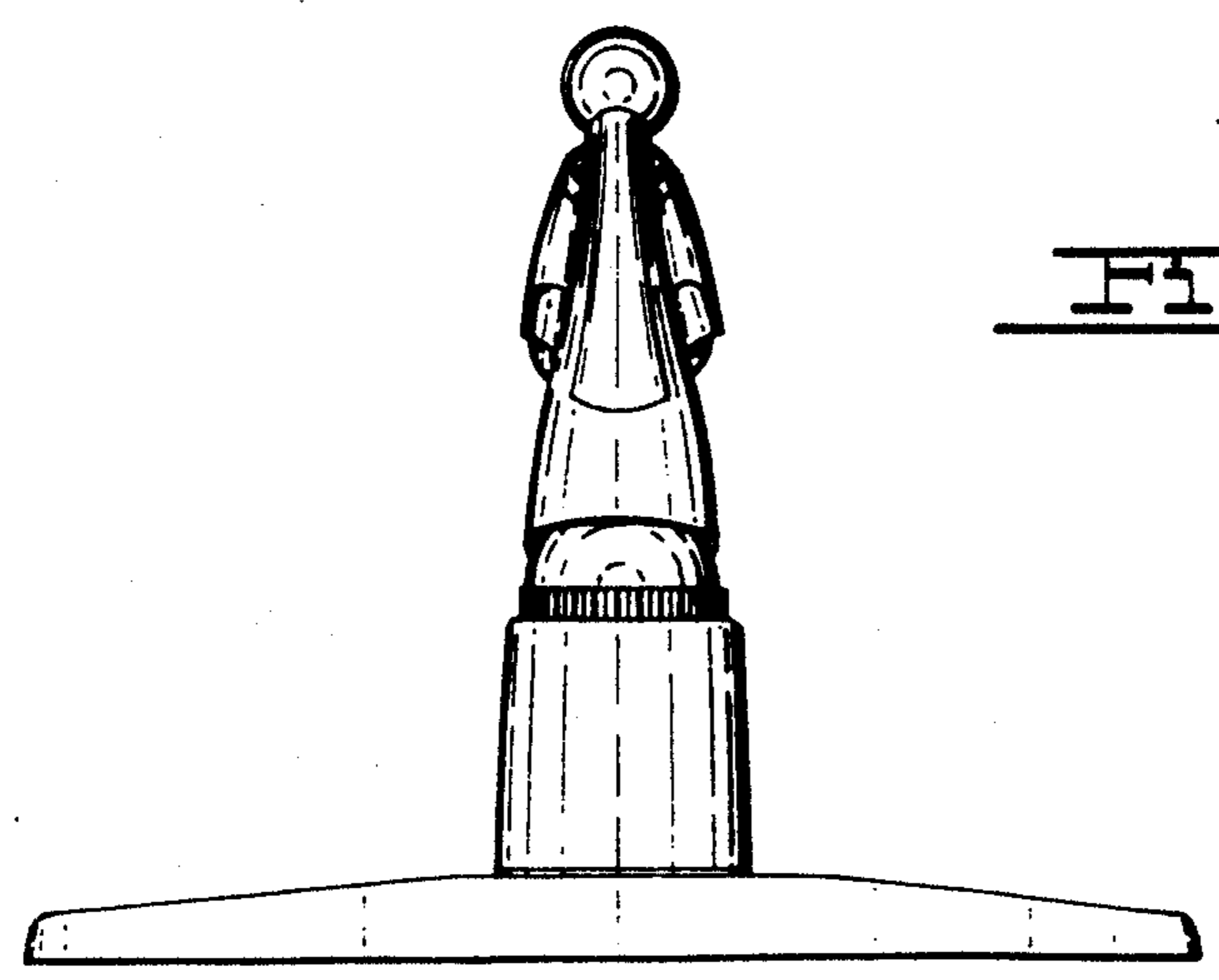


FIG. 5.