

[54] DEVICE FOR CONVERTING A DOWNHILL SKI BINDING TO A CROSS-COUNTRY SKI BINDING

[56] References Cited

U.S. PATENT DOCUMENTS

3,194,574	7/1965	Beyl .....	280/625
4,070,034	1/1978	Swenson .....	280/625
4,113,276	9/1978	Kirsch .....	280/625

[76] Inventor: Hans Näpflin, Kastanienallee 5, CH-6375 Beckenried, Switzerland

Primary Examiner—Charles A. Rademaker  
Attorney, Agent, or Firm—Thomas W. Speckman

[\*\*] Term: 14 Years

[57] CLAIM

The ornamental design for a device for converting a downhill ski binding to a cross-country ski binding, substantially as shown and described.

[21] Appl. No.: 619,351

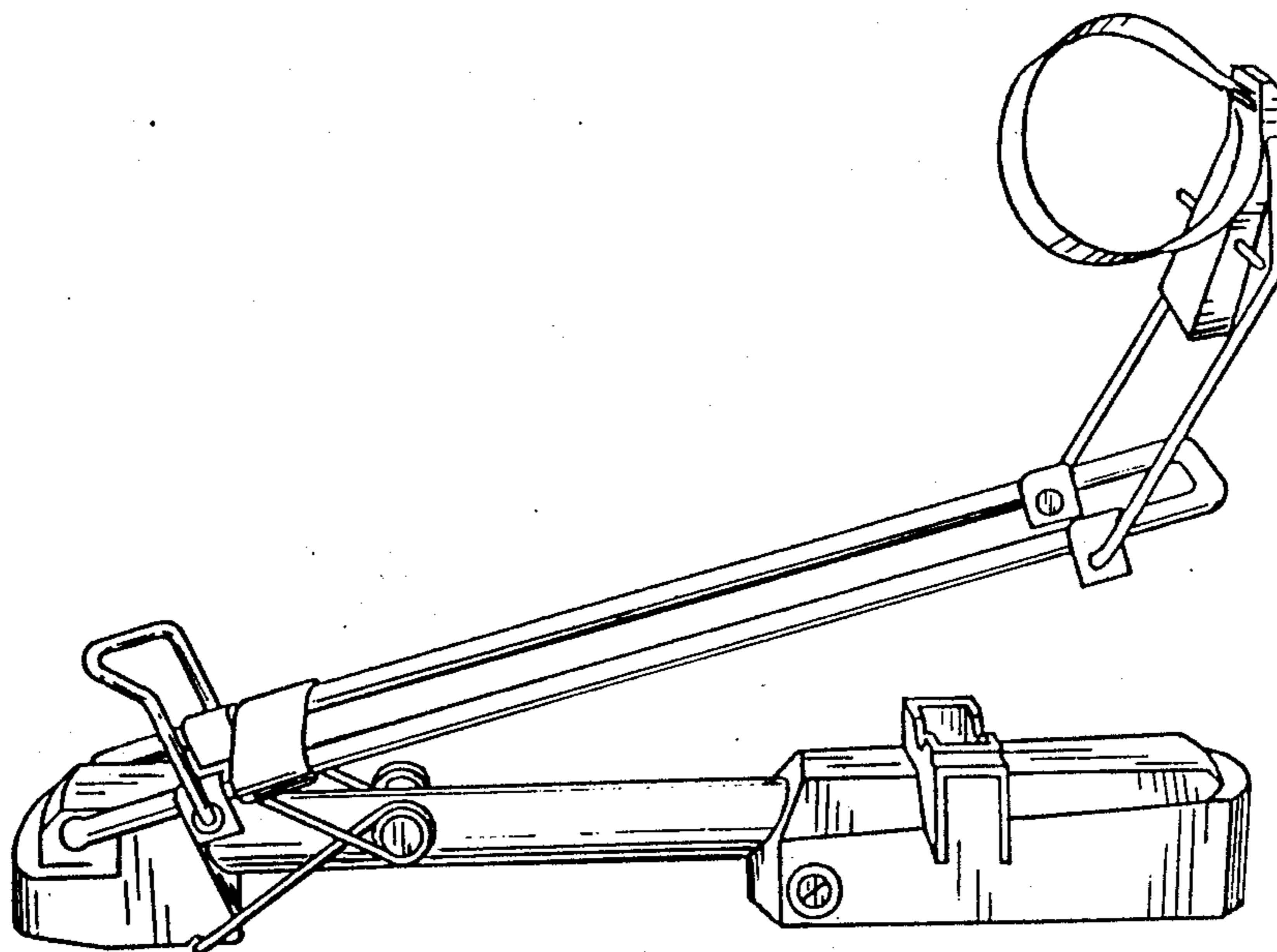
DESCRIPTION

[22] Filed: Jun. 11, 1984

[52] U.S. Cl. .... D21/230

[58] Field of Search ..... 280/629, 631, 632, 628, 280/623, 625; D21/230

FIG. 1 is a side perspective view of a device for converting a downhill ski binding to a cross-country ski binding showing my new design, the side opposite being substantially a mirror image;  
FIG. 2 is a top perspective view thereof; and  
FIG. 3 is a front perspective view thereof.



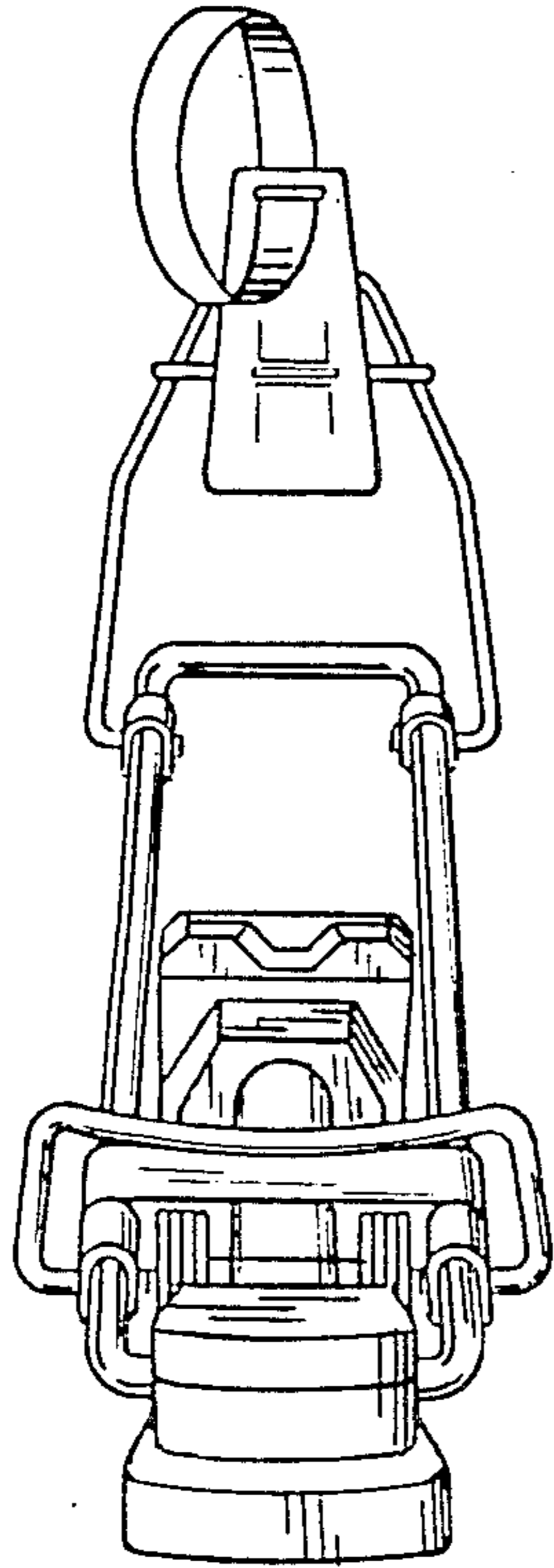


FIG. 3

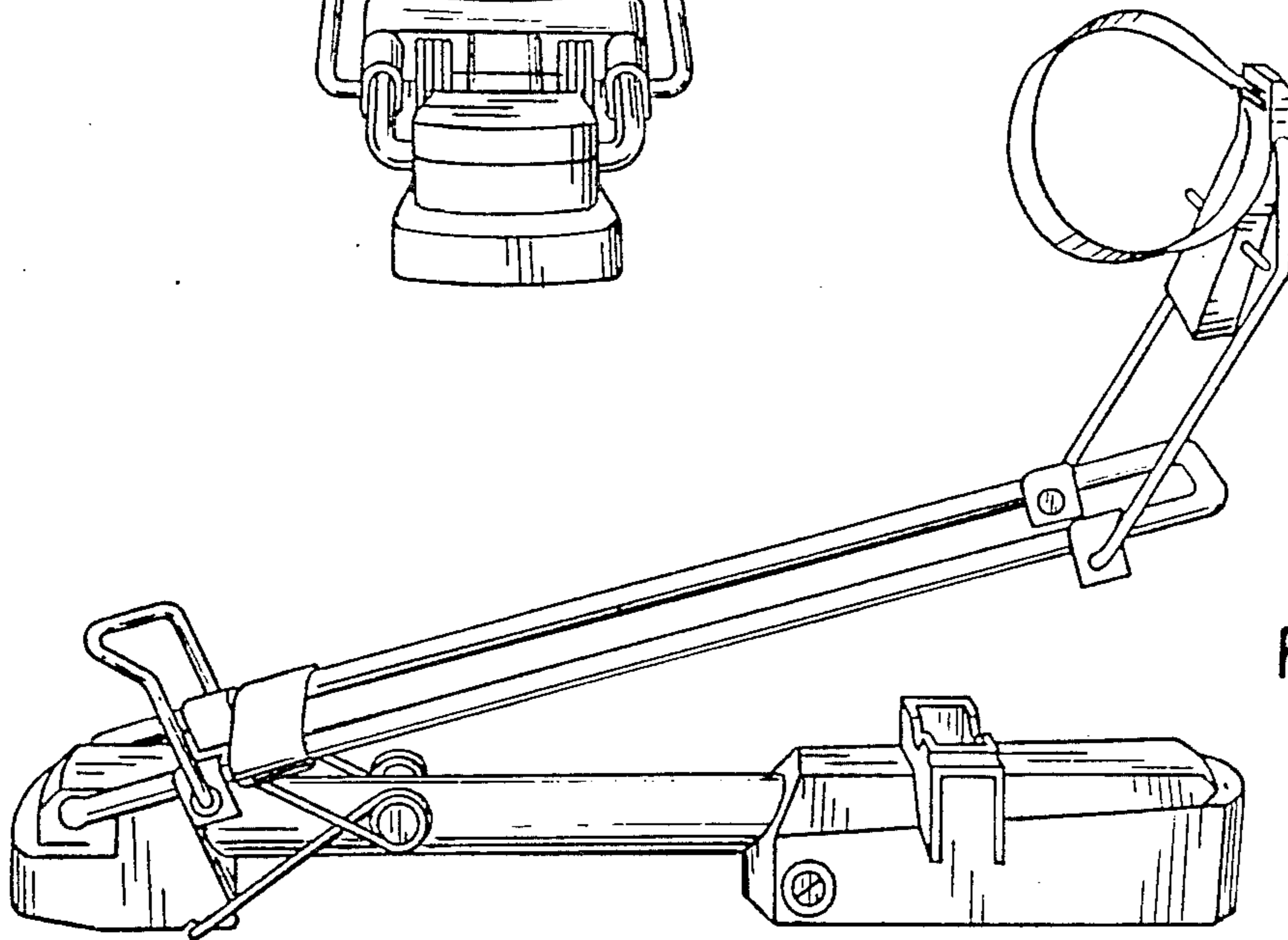


FIG. 1

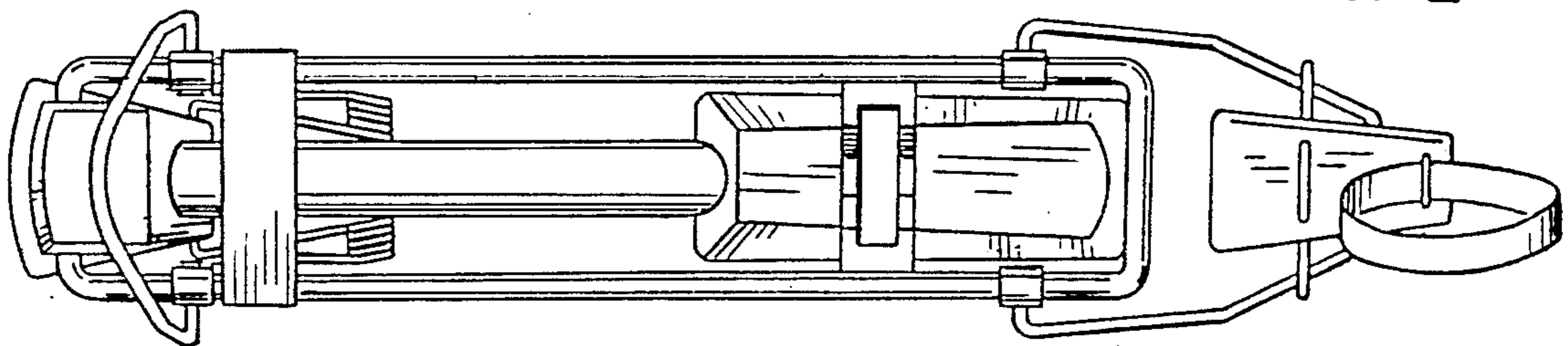


FIG. 2