

[54] **CONNECTABLE TOY ROBOT**

[75] Inventor: **Hideaki Yoke, Tokyo, Japan**  
[73] Assignee: **Takara Co., Ltd., Tokyo, Japan**

[\*\*] Term: **14 Years**

[21] Appl. No.: **673,488**

[22] Filed: **Nov. 20, 1984**

[30] **Foreign Application Priority Data**

May 23, 1984 [JP] Japan ..... 59-20583  
[52] U.S. Cl. .... **D21/166; D21/150**  
[58] Field of Search ..... 446/101, 376, 71, 72,  
446/76, 77, 94, 97, 383, 381, 487; D21/150, 166

[56] **References Cited**

**U.S. PATENT DOCUMENTS**

Re. 20,652 2/1938 Hecht ..... 446/101

D. 275,122 8/1984 Murakami ..... D21/150  
D. 279,305 6/1985 Murakami ..... D21/150  
D. 284,490 7/1986 Ohno ..... D21/128  
4,519,786 5/1985 Larws ..... 446/376

*Primary Examiner*—Charles A. Rademaker  
*Attorney, Agent, or Firm*—Price, Gess & Ubell

[57] **CLAIM**

The ornamental design for a connectable toy robot, substantially as shown and described.

**DESCRIPTION**

FIG. 1 is a front side perspective view of the toy of the present invention;  
FIG. 2 is a front elevational view;  
FIG. 3 is a top plan view;  
FIG. 4 is a bottom plan view;  
FIG. 5 is a left elevational side view;  
FIG. 6 is a right elevational side view, and  
FIG. 7 is a rear elevational view.

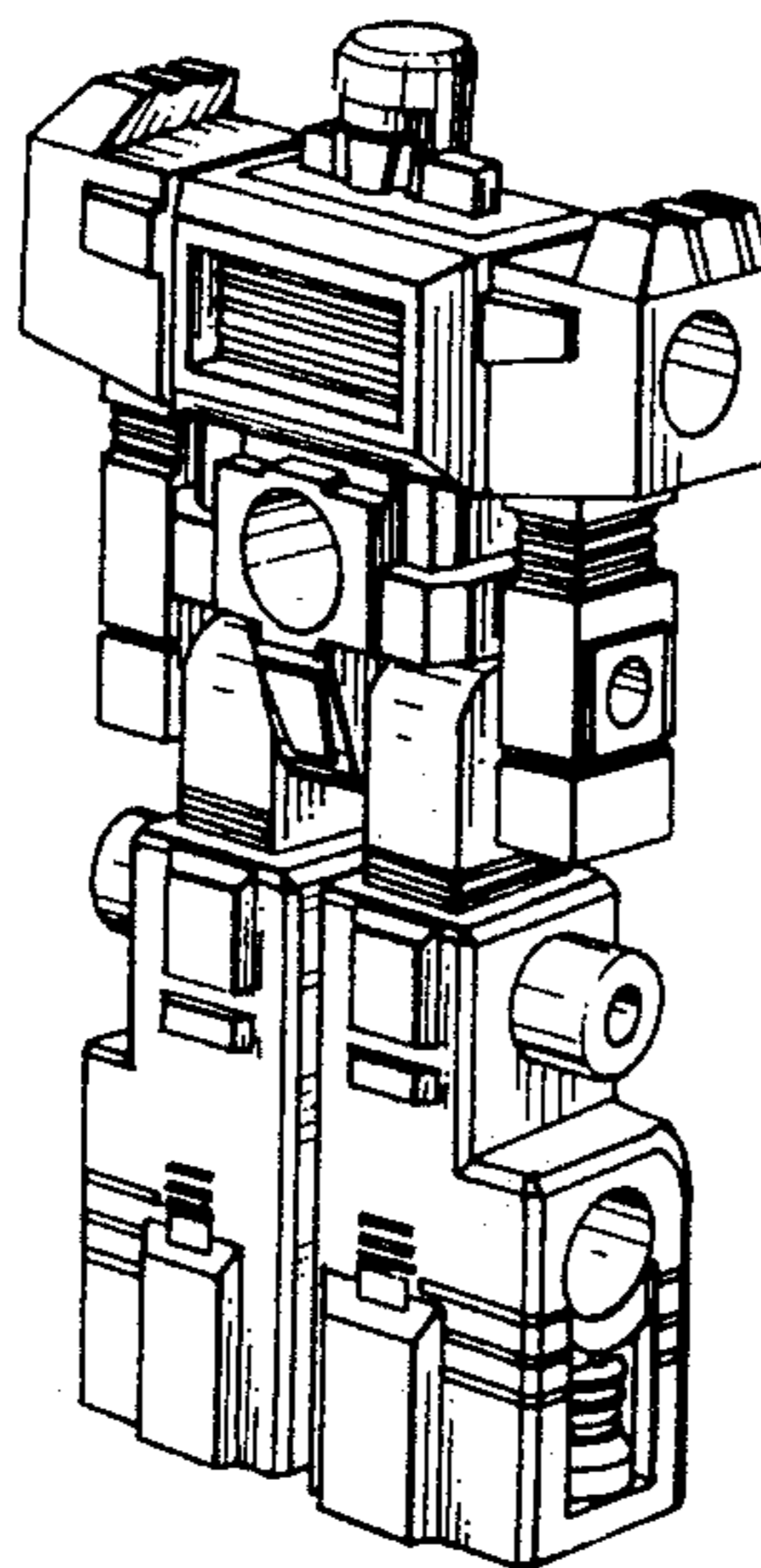


FIG. 1

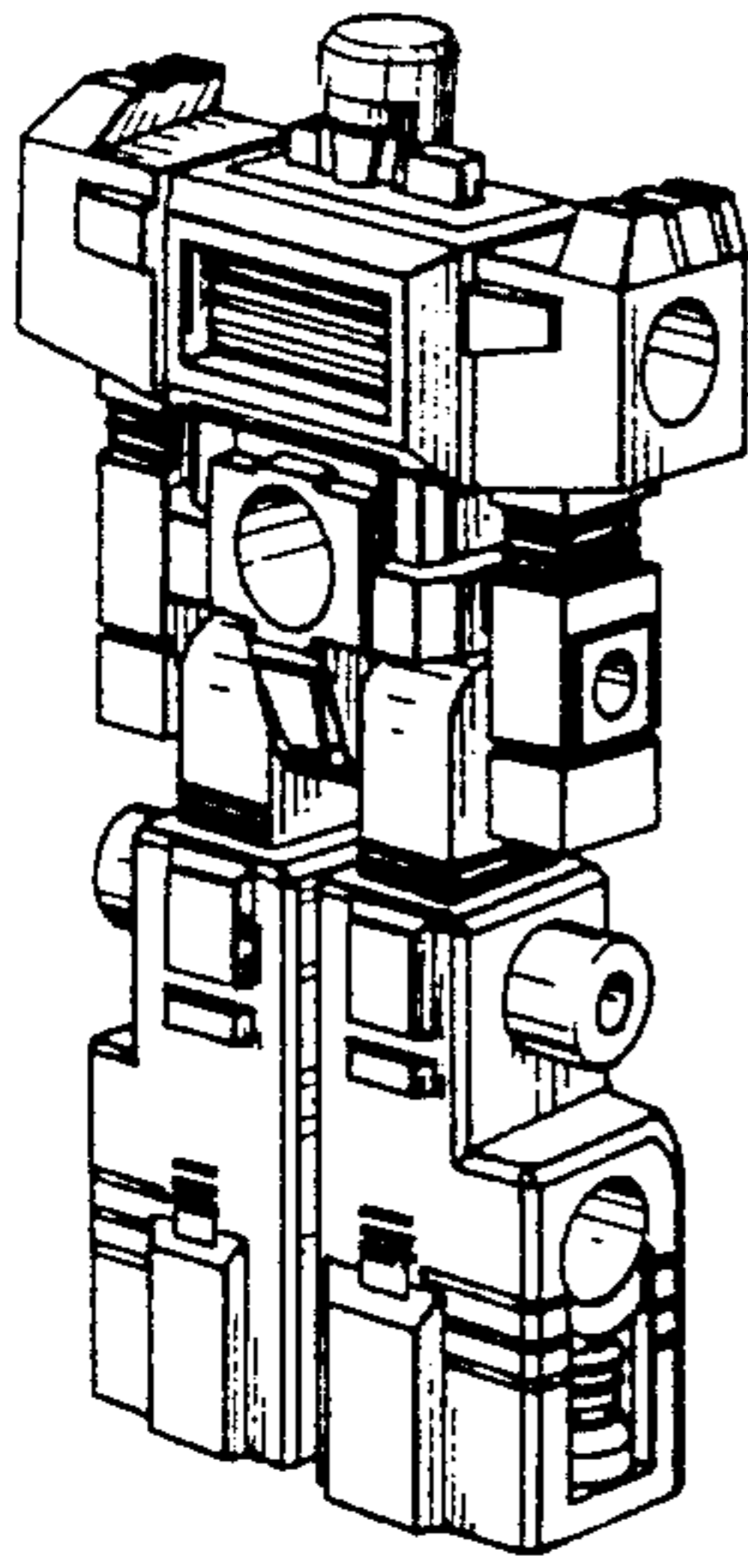


FIG. 2

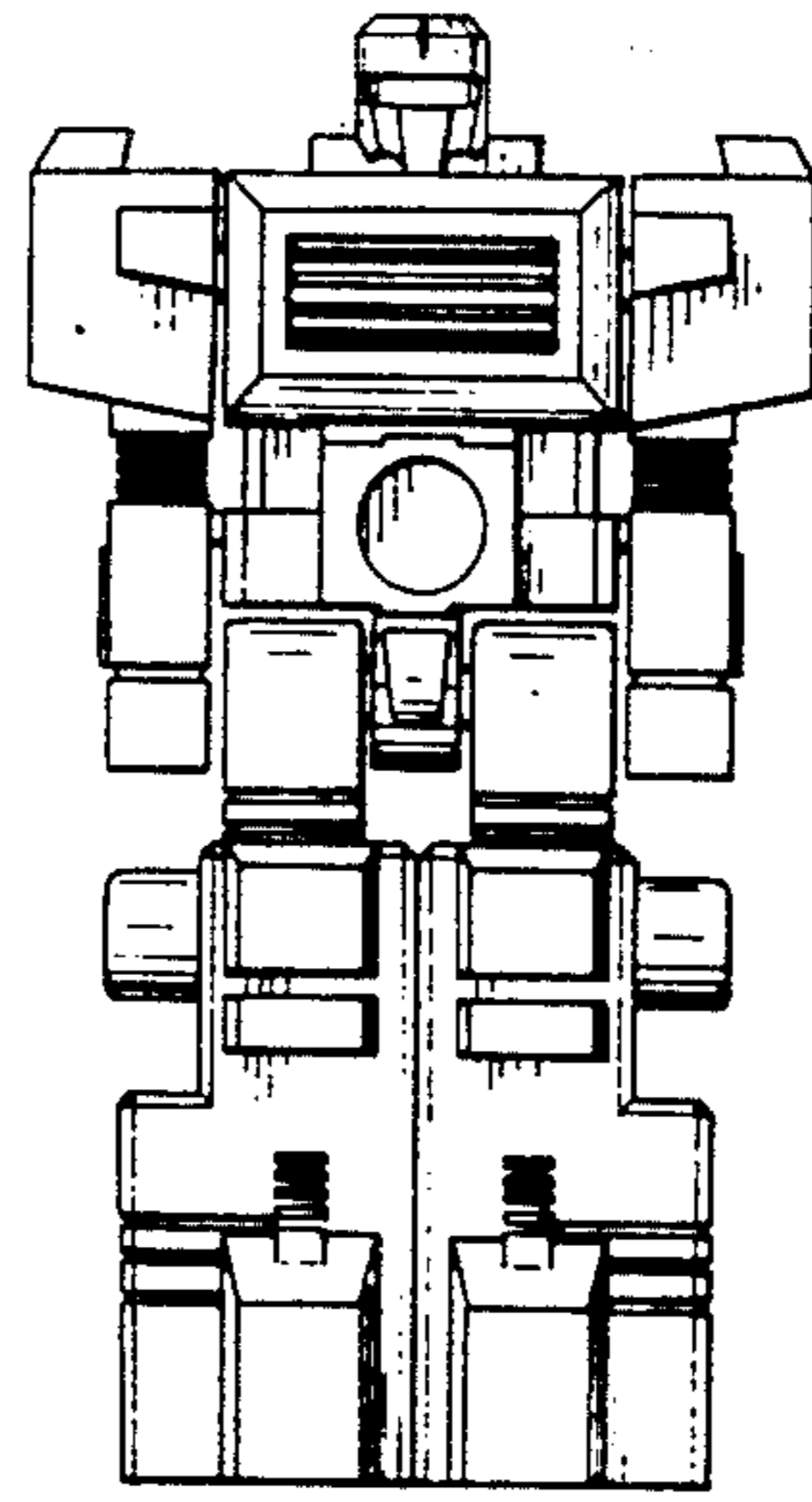


FIG. 3

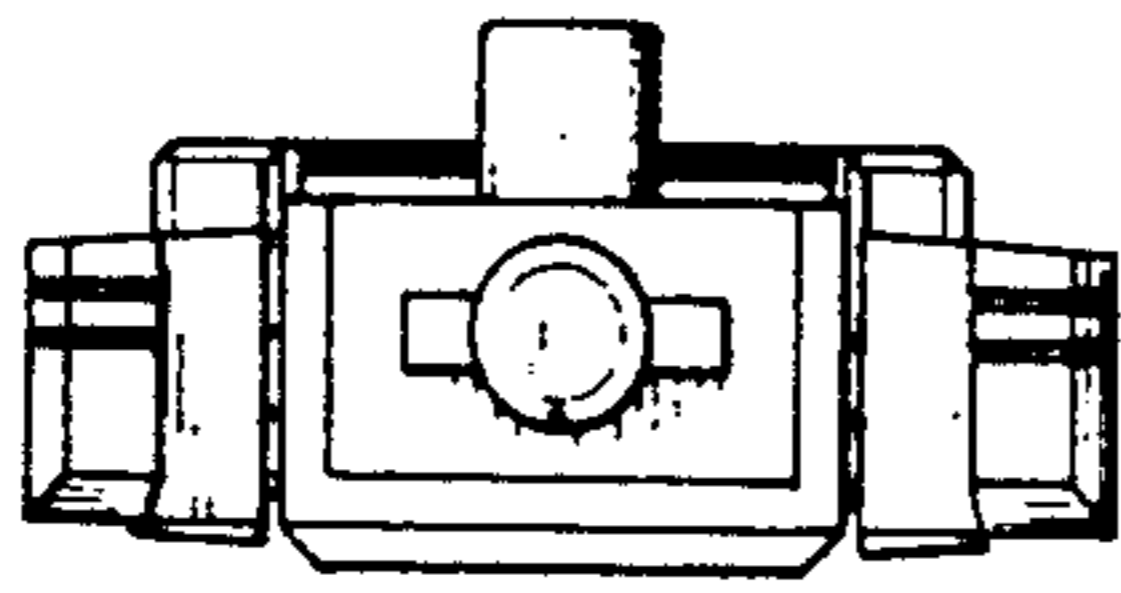


FIG. 4

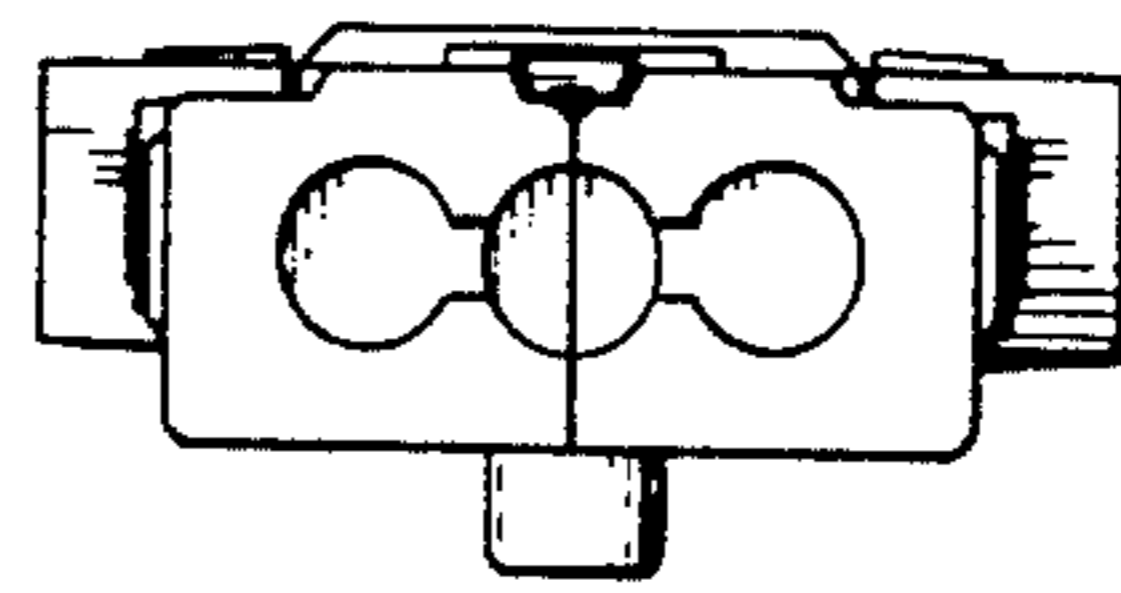


FIG. 5

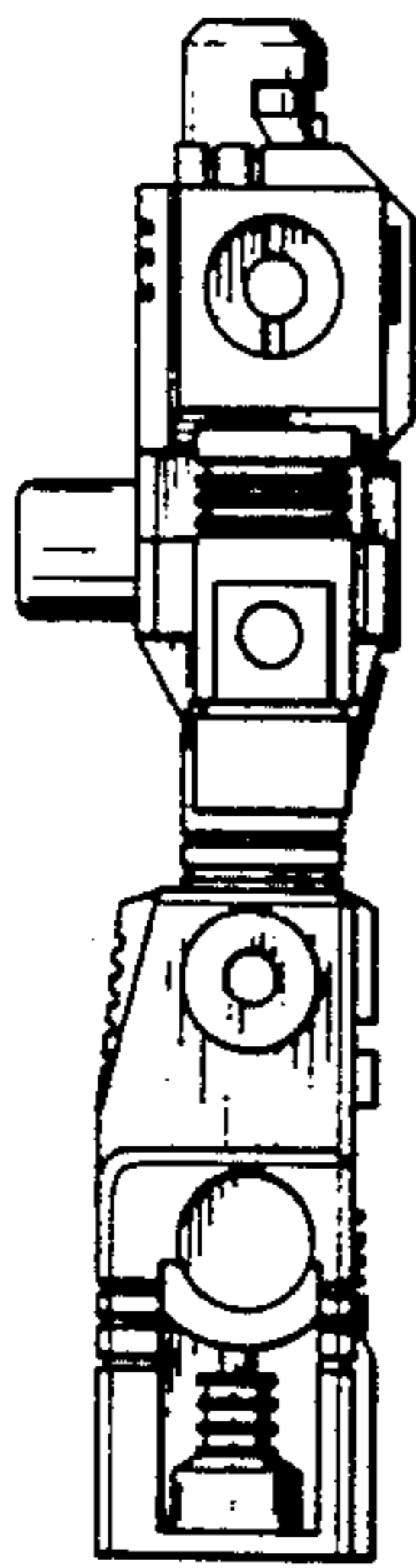


FIG. 6

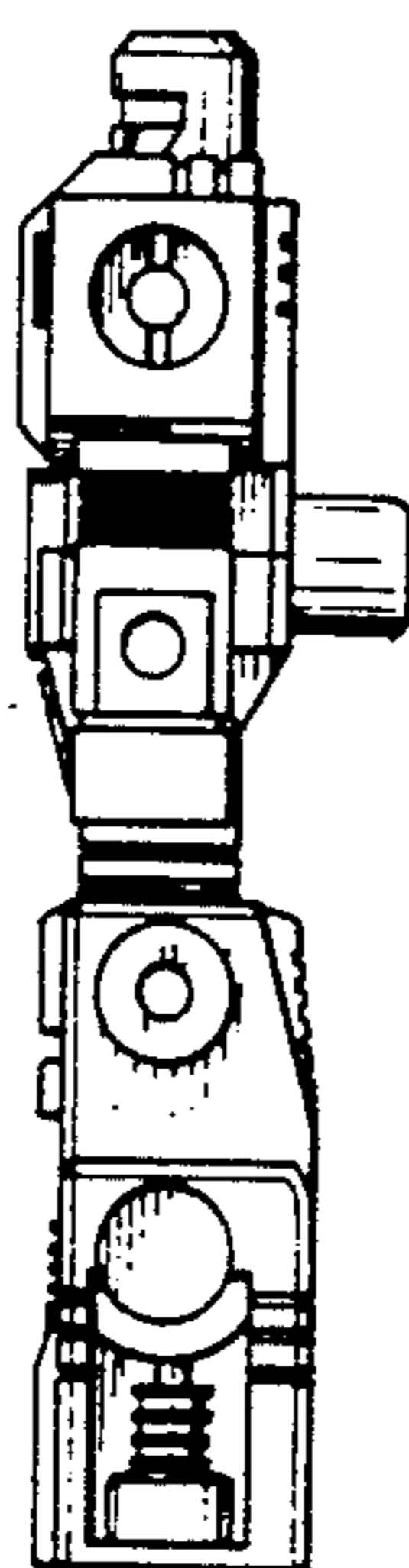


FIG. 7

