

[54] MOVABLE TOY FIGURE

[75] Inventors: Jan Ryaa, Billund; Ole V. Poulsen, Vejle, both of Denmark

[73] Assignee: Interlego A. G., Baar, Switzerland

[\*\*] Term: 14 Years

[21] Appl. No.: 805,309

[22] Filed: Dec. 4, 1985

[52] U.S. Cl. .... D21/150; D21/166

[58] Field of Search ..... D21/108, 168, 166, 150; 446/85, 97, 99, 108, 117, 118, 120, 121, 124

[56] References Cited

U.S. PATENT DOCUMENTS

D. 248,881	8/1978	Goldfarb et al. ....	D21/108
2,106,148	1/1938	Kellner .....	D21/108
4,103,451	8/1978	Kawada et al. ....	446/99
4,118,888	10/1978	Ogawa .....	446/97
4,203,248	5/1980	Tapdrup .....	446/97
4,205,482	6/1980	Christiansen et al. ....	446/97
4,215,509	8/1980	Mariol .....	446/99

FOREIGN PATENT DOCUMENTS

576917	1/1933	Fed. Rep. of Germany .....	446/97
2458084	6/1976	Fed. Rep. of Germany .....	446/97

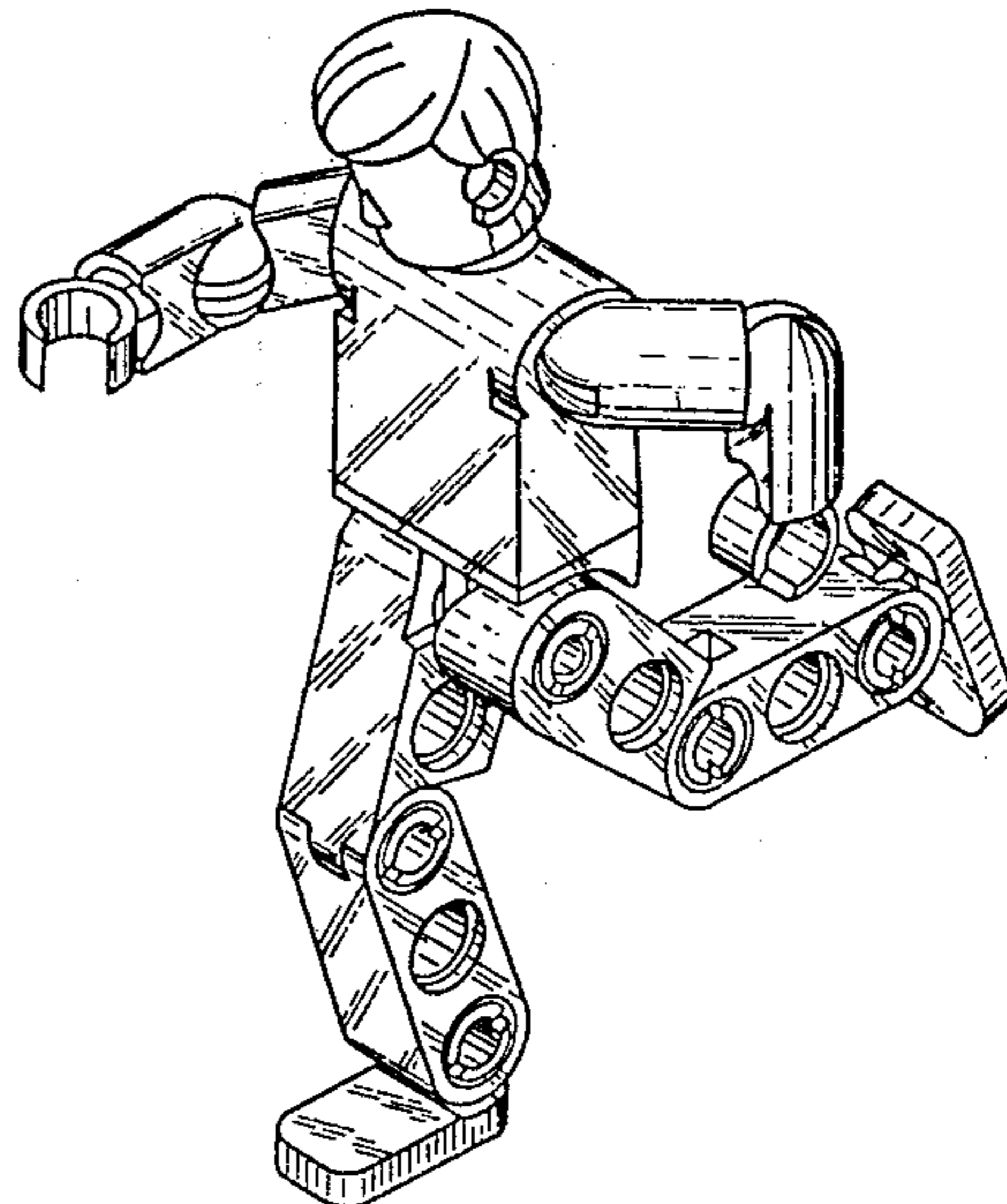
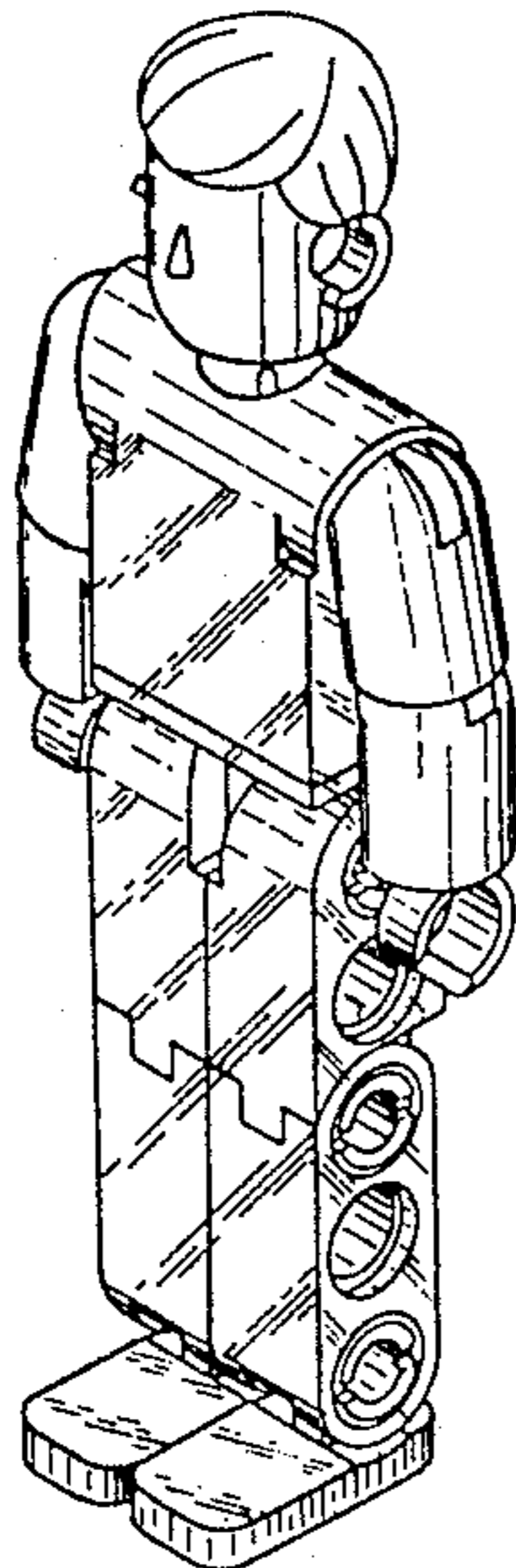
Primary Examiner—Charles A. Rademaker  
Attorney, Agent, or Firm—Kane, Dalsimer, Kane, Sullivan and Kurucz

[57] CLAIM

The ornamental design for a movable toy figure, as shown and described.

DESCRIPTION

FIG. 1 is a top perspective view of a movable toy figure showing our new design;  
FIG. 2 is a top perspective view of the movable toy figure in alternate position;  
FIG. 3 is a front elevational view thereof;  
FIG. 4 is a side elevational view thereof;  
FIG. 5 is a rear elevational view thereof;  
FIG. 6 is a top plan view thereof; and  
FIG. 7 is a bottom view thereof.



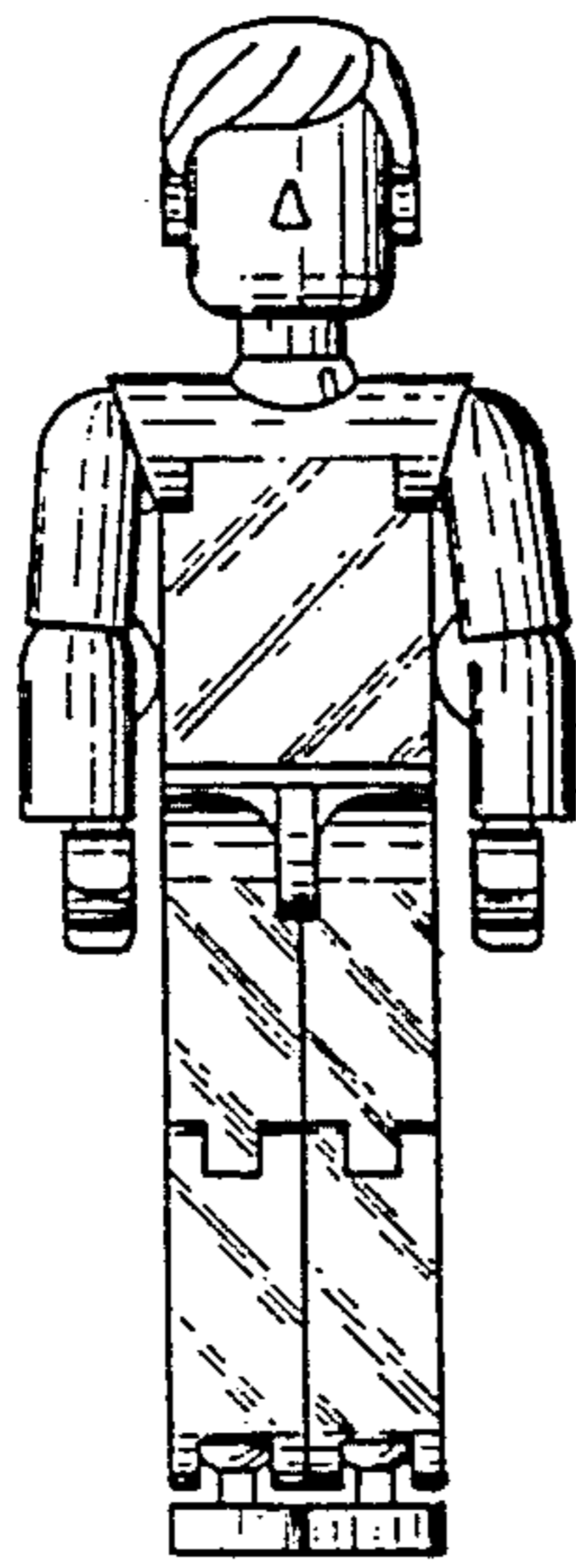


FIG. 3

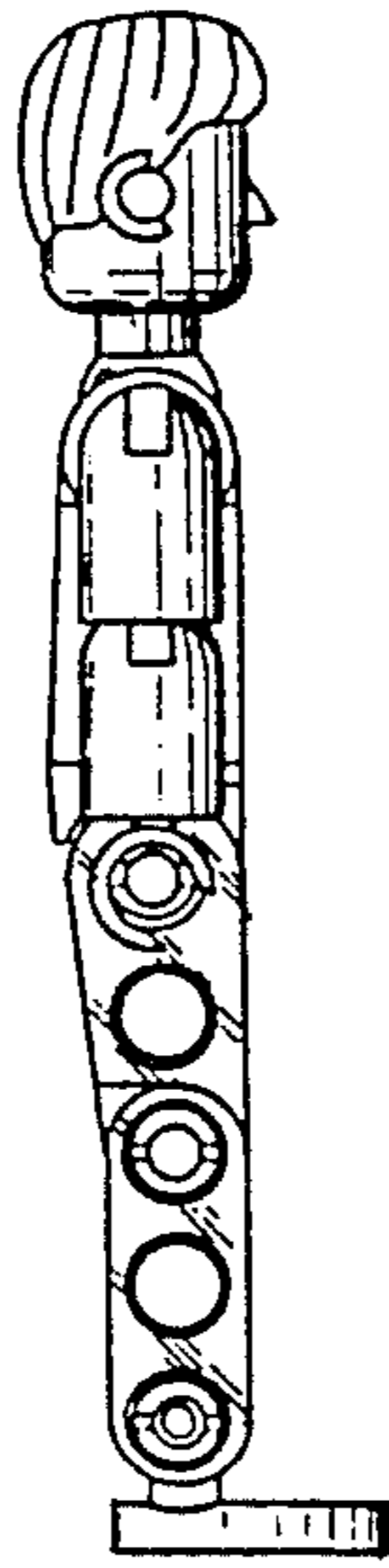


FIG. 4

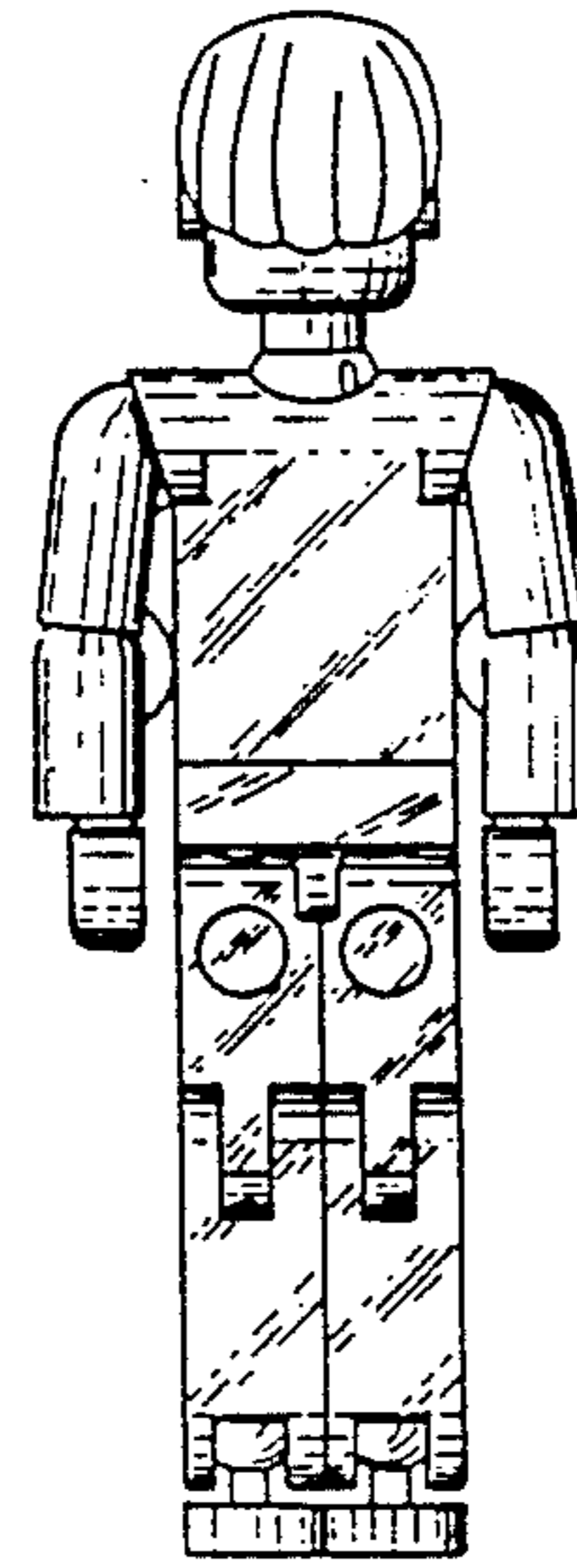


FIG. 5

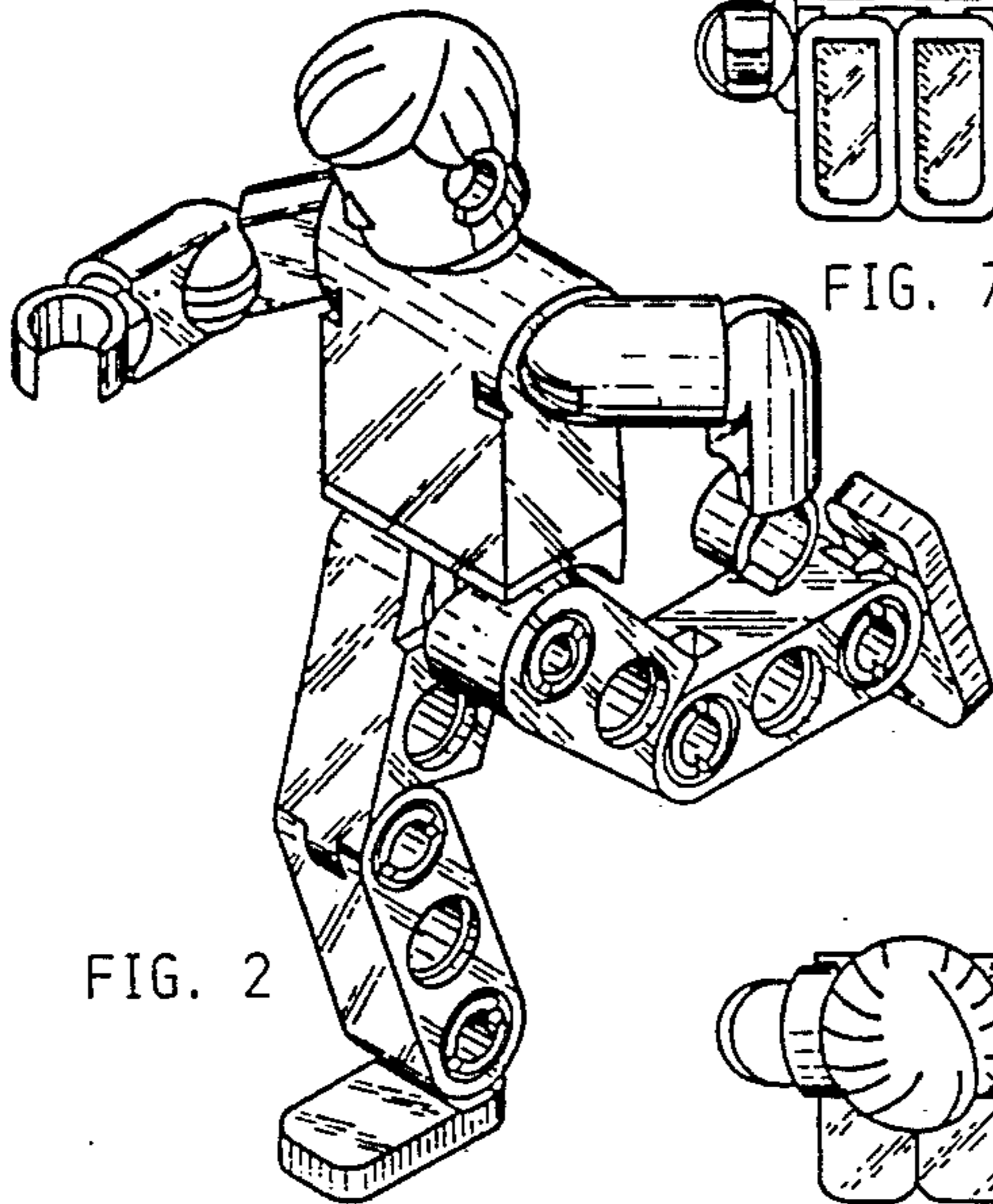


FIG. 2

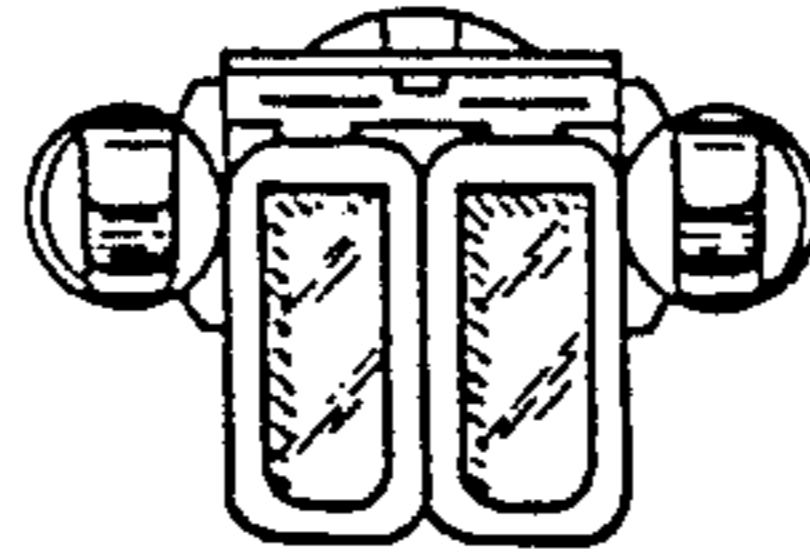


FIG. 7

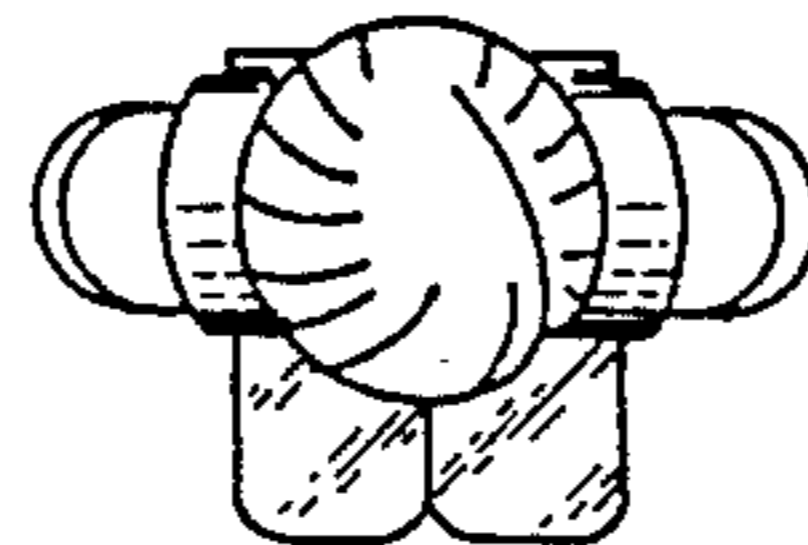


FIG. 6

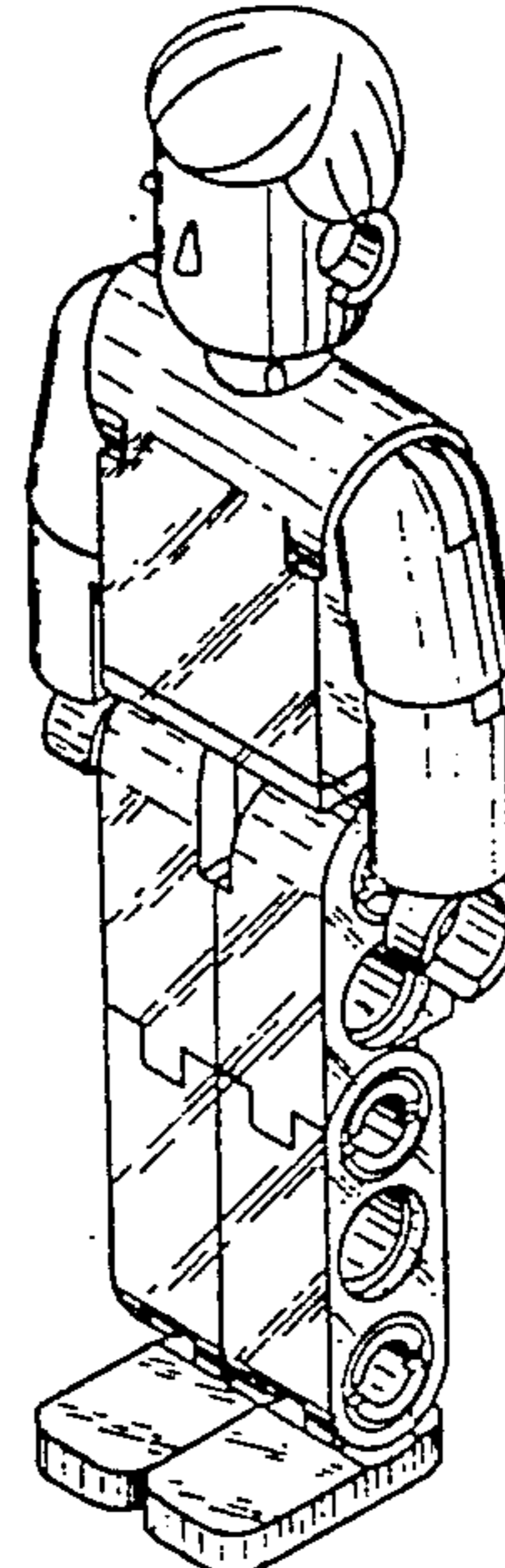


FIG. 1