

[54] RECONFIGURABLE TOY BOAT

[75] Inventor: Akio Kitamura, Tokyo, Japan

[73] Assignee: Takara Co., Ltd., Tokyo, Japan

[**] Term: 14 Years

[21] Appl. No.: 715,362

[22] Filed: Mar. 21, 1985

[30] Foreign Application Priority Data

Oct. 25, 1984 [JP] Japan 59-44101

[52] U.S. Cl. D21/150; D21/130; D21/166

[58] Field of Search D21/130, 128, 136, 150, D21/166; 446/71-75, 78, 378, 376, 275, 95, 80, 93

[56] References Cited

U.S. PATENT DOCUMENTS

- D. 119,265 3/1940 Hollman D21/130
- D. 153,910 5/1949 Williamson D21/130
- D. 159,053 6/1950 Derham D21/130
- D. 168,807 2/1953 Reuther D21/130
- D. 214,176 5/1969 Tazaki D21/130

D. 283,717 5/1986 Obara D21/150

Primary Examiner—Charles A. Rademaker
Attorney, Agent, or Firm—Price, Gess & Ubell

[57] CLAIM

The ornamental design for a reconfigurable toy boat, substantially as shown and described.

DESCRIPTION

FIG. 1 is a perspective view of a reconfigurable toy boat showing my new design;
 FIG. 2 is a right side elevational view thereof, the side opposite being a mirror image;
 FIG. 3 is a top plan view;
 FIG. 4 is a bottom plan view;
 FIG. 5 is a front elevational view;
 FIG. 6 is a rear elevational view;
 FIG. 7 is a perspective view of the design shown in FIGS. 1 through 6 in a toy robot reconfiguration;
 FIG. 8 is a right side elevational view thereof, the side opposite being a mirror image;
 FIG. 9 is a top plan view;
 FIG. 10 is a bottom plan view;
 FIG. 11 is a front elevational view; and
 FIG. 12 is a rear elevational view.

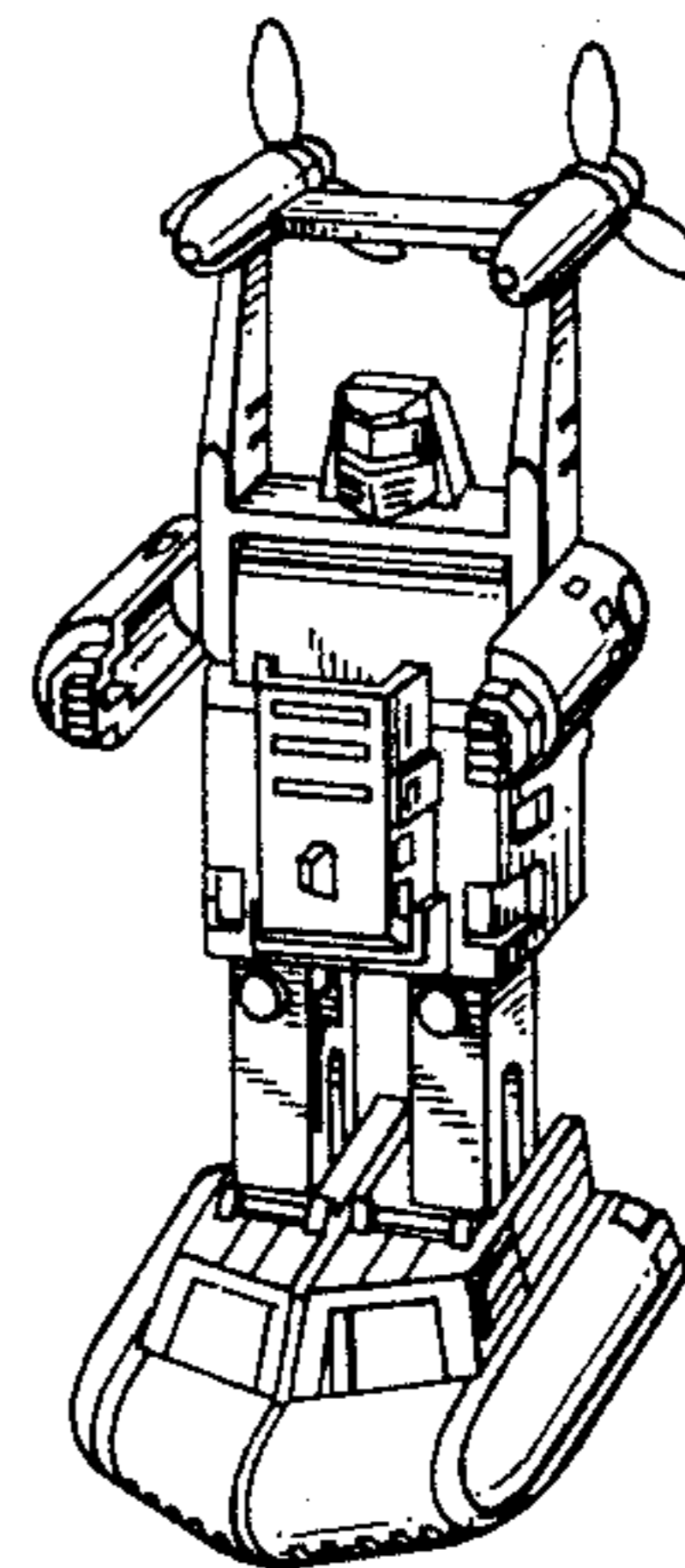
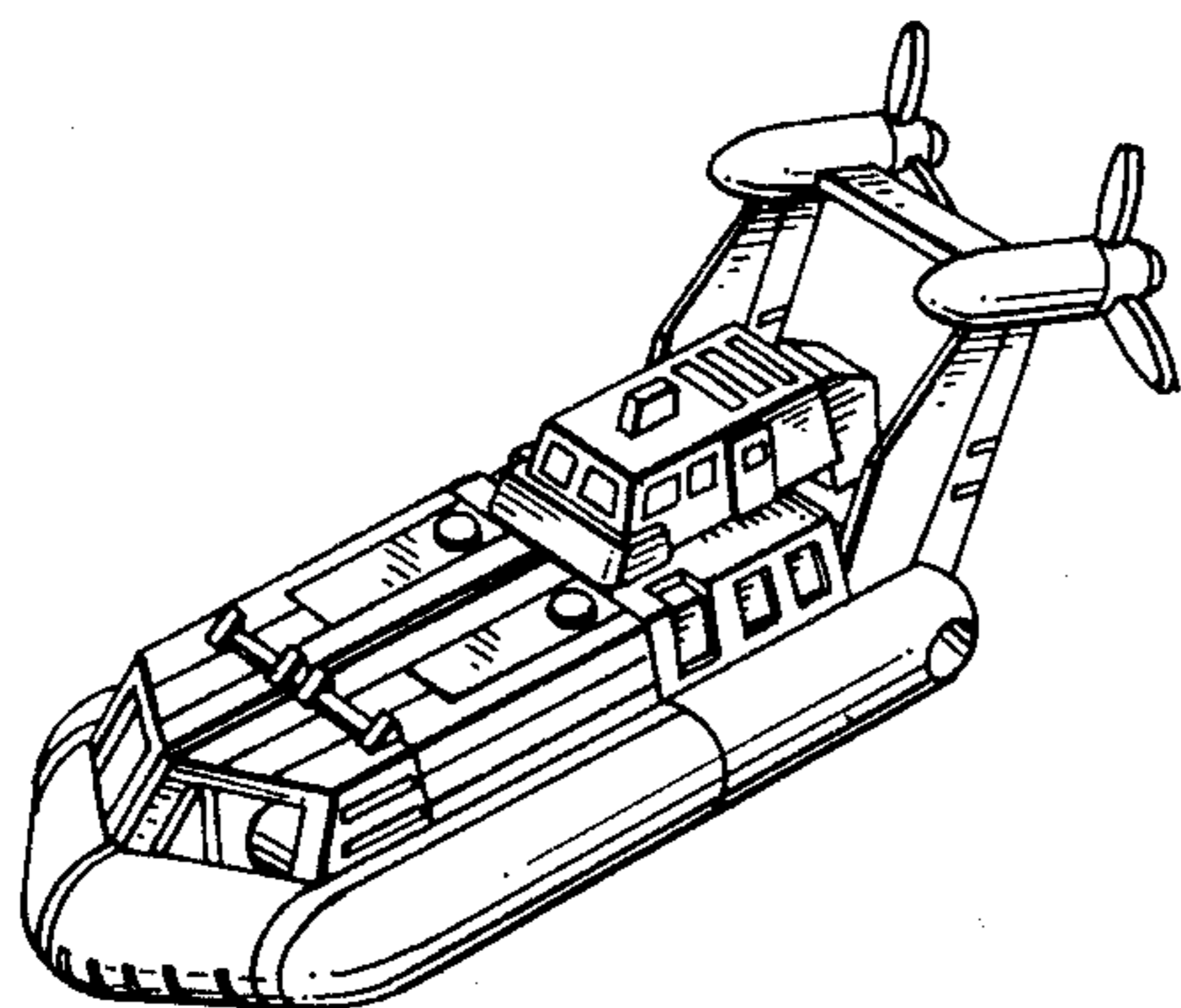


FIG. 1

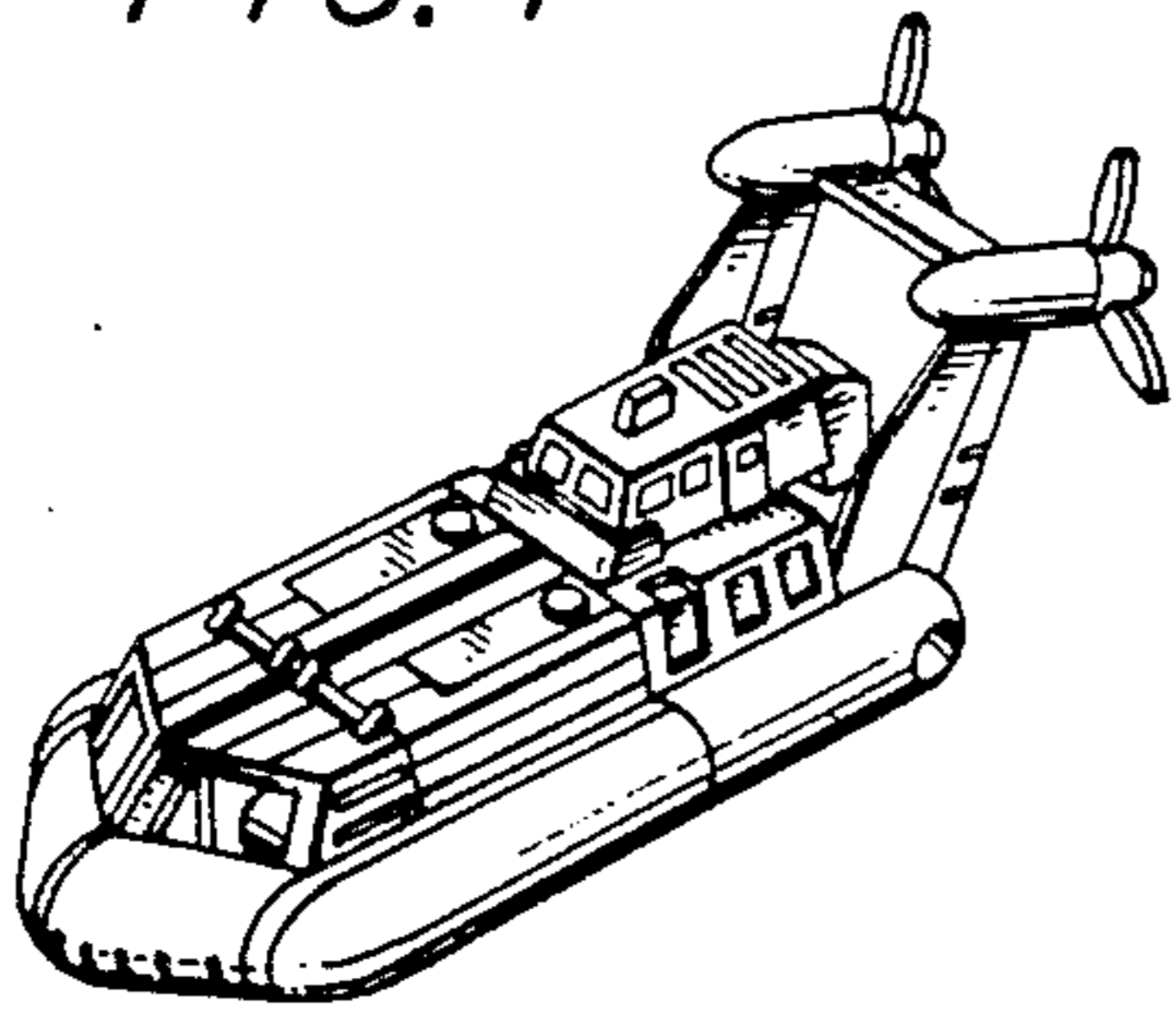


FIG. 2

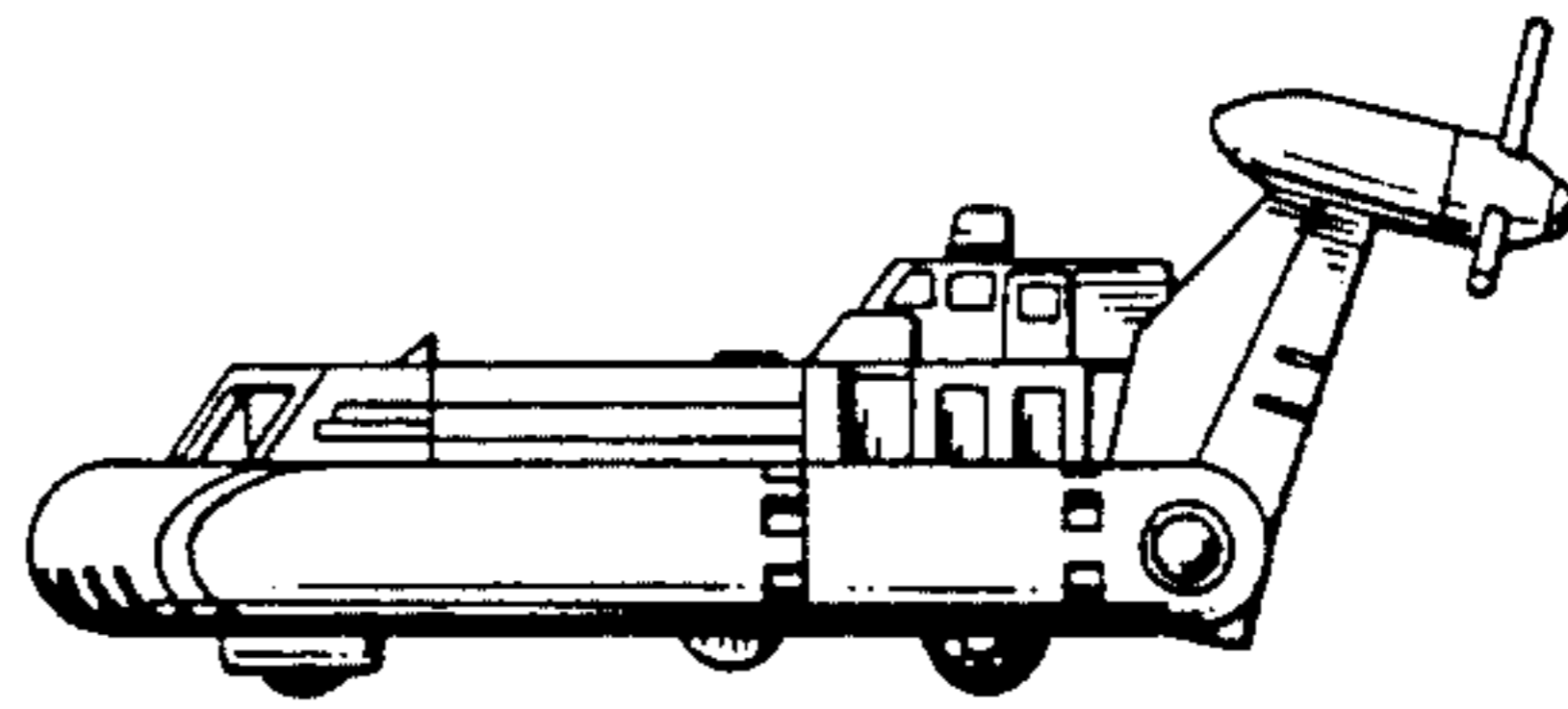


FIG. 3

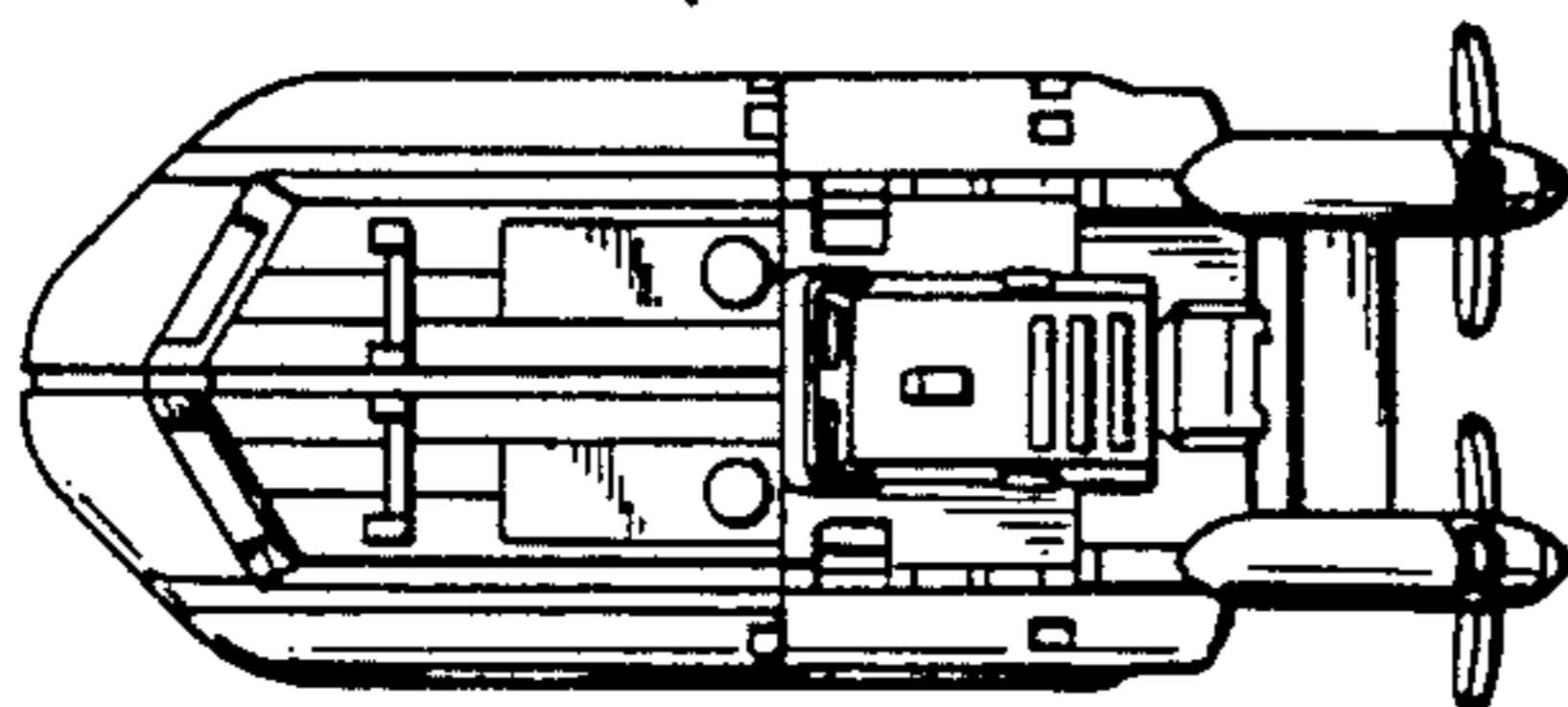


FIG. 4

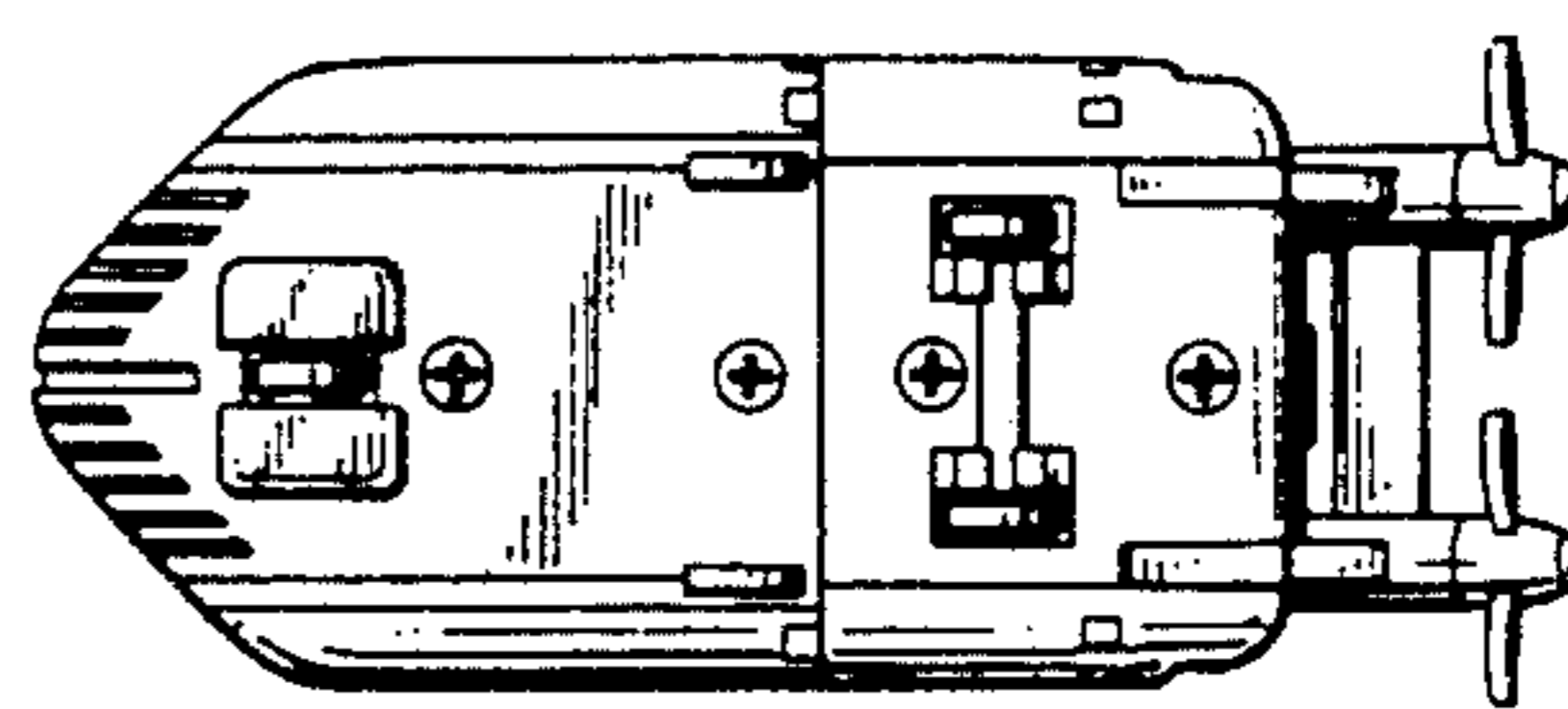


FIG. 5

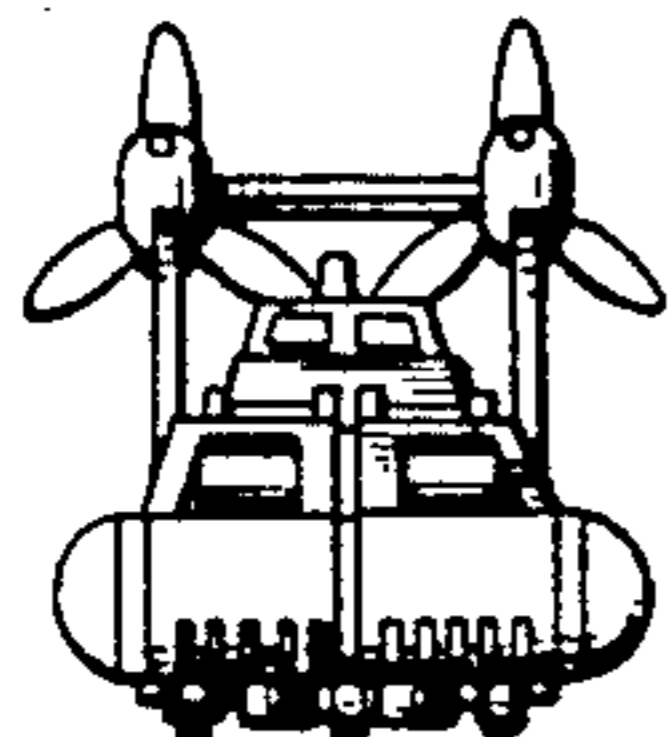


FIG. 6

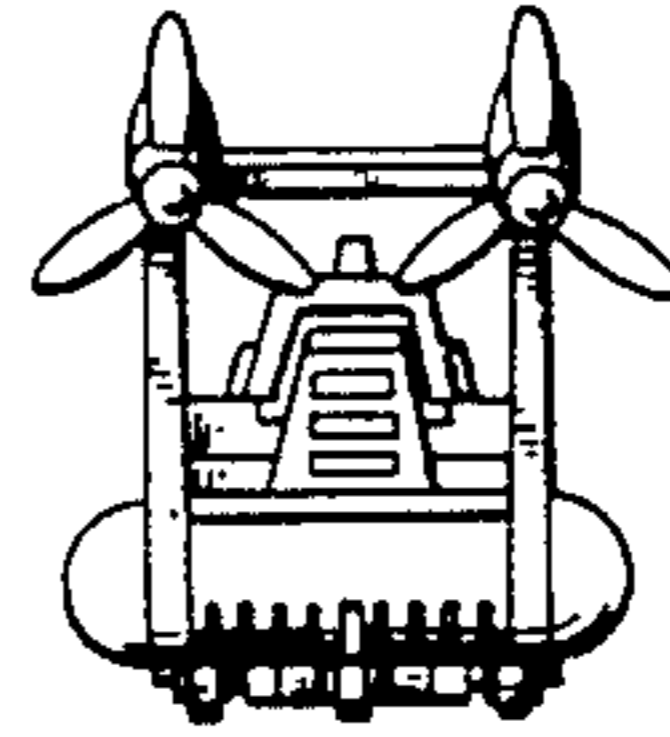


FIG. 7

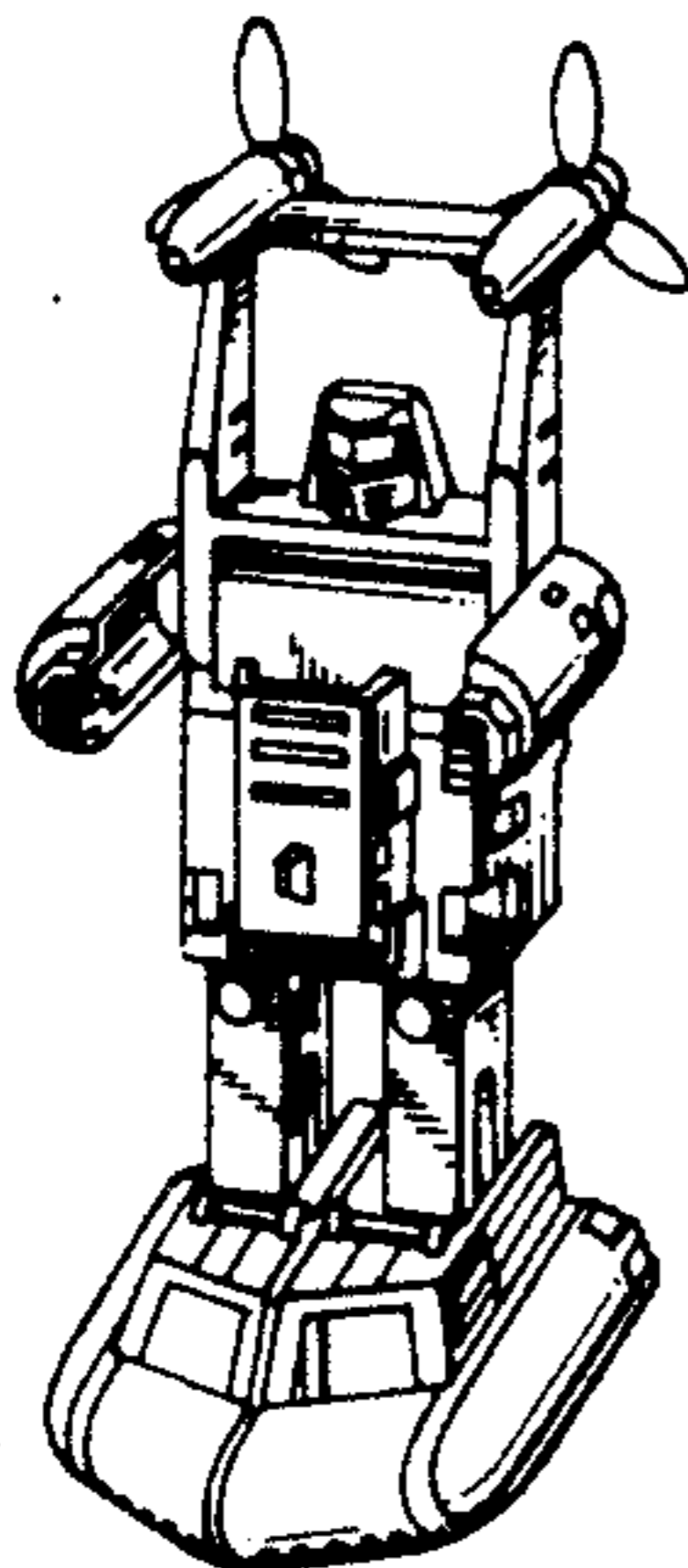


FIG. 8

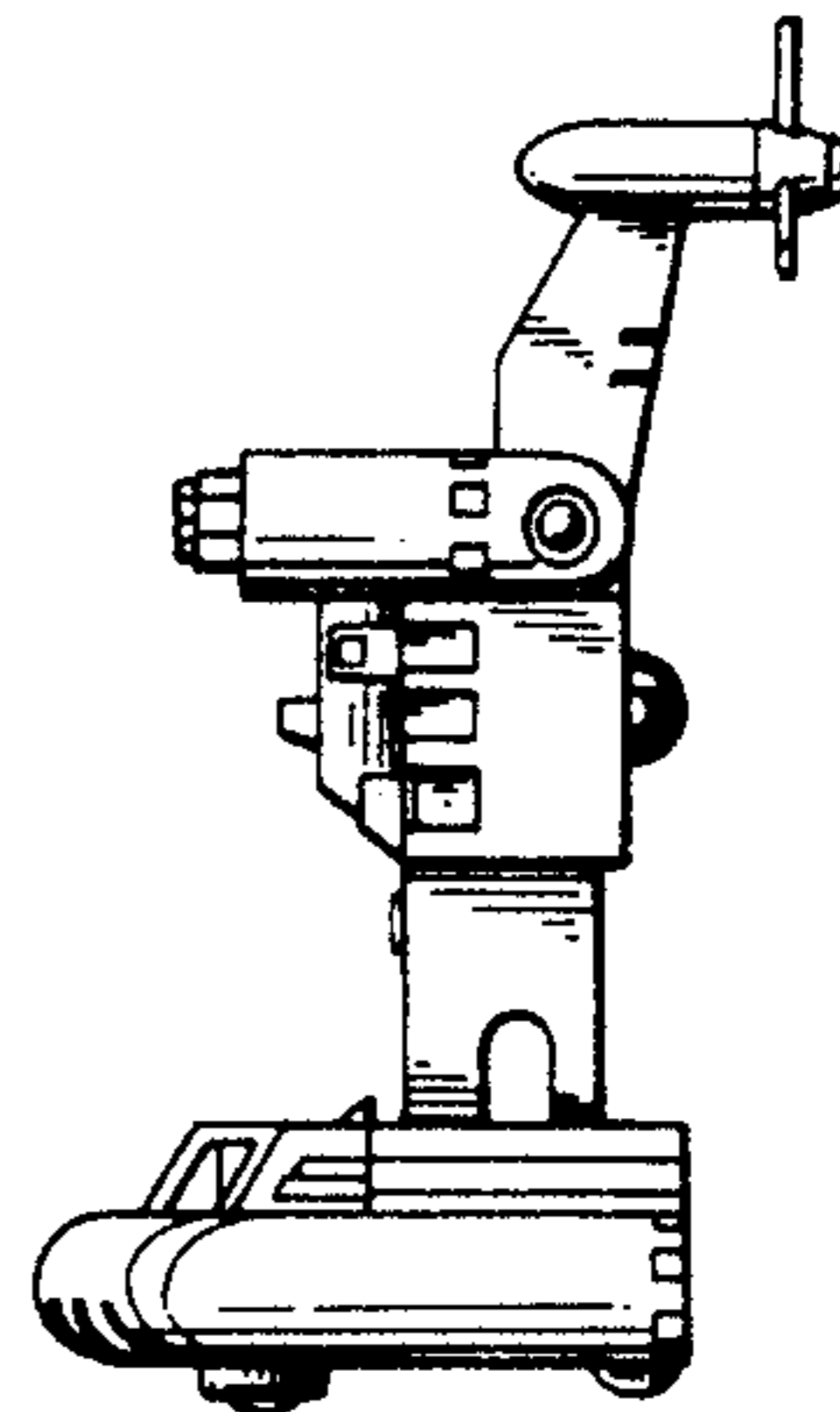


FIG. 9

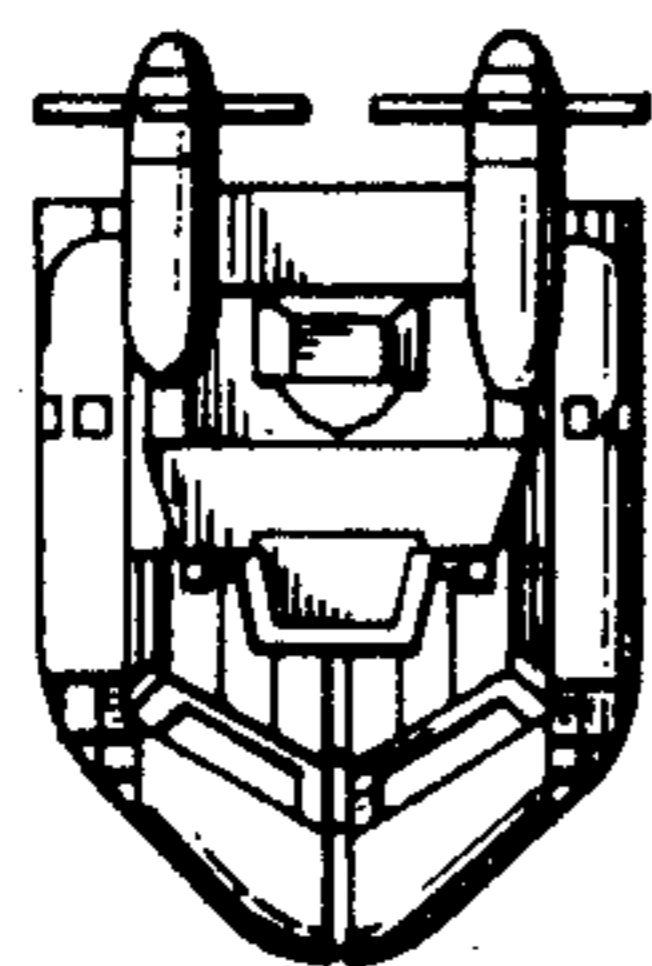


FIG. 10

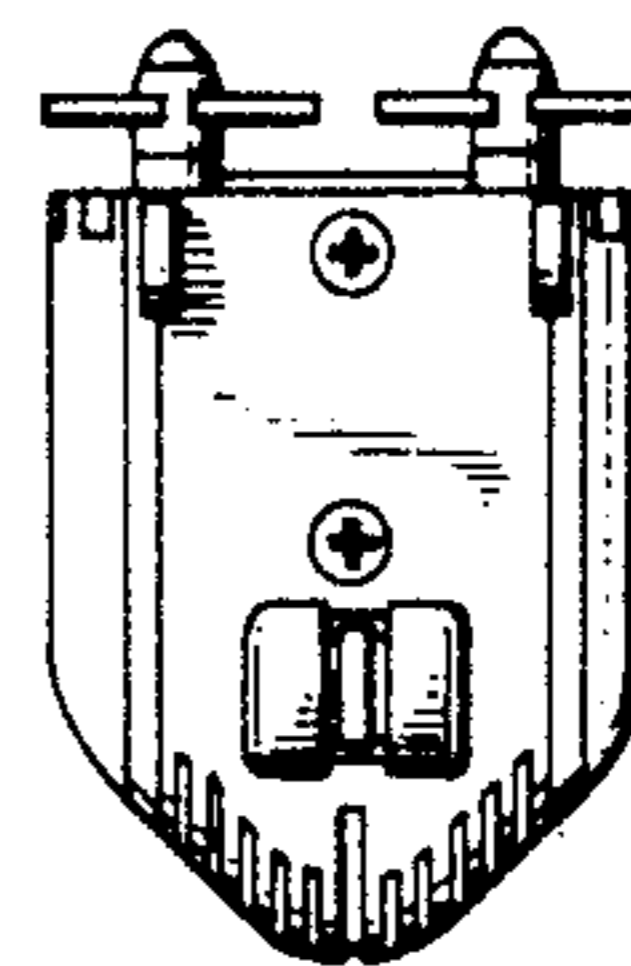


FIG. 11

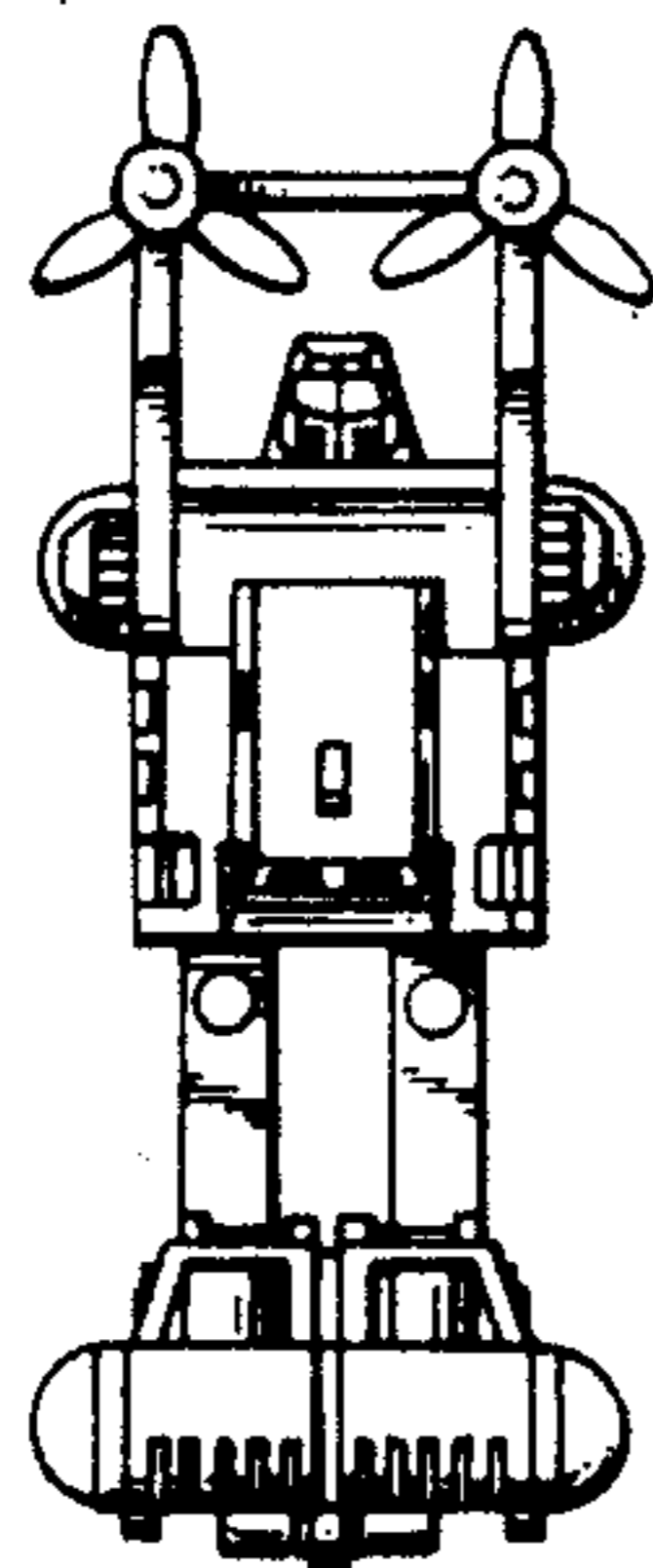


FIG. 12

