

[54] RECONFIGURABLE TOY AIRPLANE

[75] Inventor: Masaki Maruyama, Tokyo, Japan

[73] Assignee: Takara Co., Ltd., Tokyo, Japan

[**] Term: 14 Years

[21] Appl. No.: 715,063

[22] Filed: Mar. 21, 1985

[30] Foreign Application Priority Data

Oct. 25, 1984 [JP] Japan 59-44105

[52] U.S. Cl. D21/150; D21/87; D21/166

[58] Field of Search D21/87, 92, 150, 166, D21/128; 446/71-75, 78, 275, 376, 378, 95

[56] References Cited

U.S. PATENT DOCUMENTS

D. 199,070	9/1964	Ruttner	D21/87
D. 199,358	10/1964	Ritter	D21/87
D. 254,918	5/1980	Havranek	D21/87
D. 279,804	7/1985	Ohno	D21/87
D. 281,090	10/1985	Murakami	D21/87
2,236,456	3/1941	Stockham	D21/87

2,791,867 5/1957 Dasher 446/95

Primary Examiner—Charles A. Rademaker
Attorney, Agent, or Firm—Price, Gess & Ubell

[57] CLAIM

The ornamental design for a reconfigurable toy airplane, substantially as shown and described.

DESCRIPTION

FIG. 1 is a perspective view of a reconfigurable toy airplane showing my new design;
 FIG. 2 is a right side elevational view thereof, the side opposite being a mirror image;
 FIG. 3 is a top plan view;
 FIG. 4 is a bottom plan view;
 FIG. 5 is a front elevational view;
 FIG. 6 is a rear elevational view;
 FIG. 7 is a perspective view of the design shown in FIGS. 1 through 6 in a toy robot reconfiguration;
 FIG. 8 is a right side elevational view thereof, the side opposite being a mirror image;
 FIG. 9 is a top plan view;
 FIG. 10 is a bottom plan view;
 FIG. 11 is a front elevational view; and
 FIG. 12 is rear elevational view.

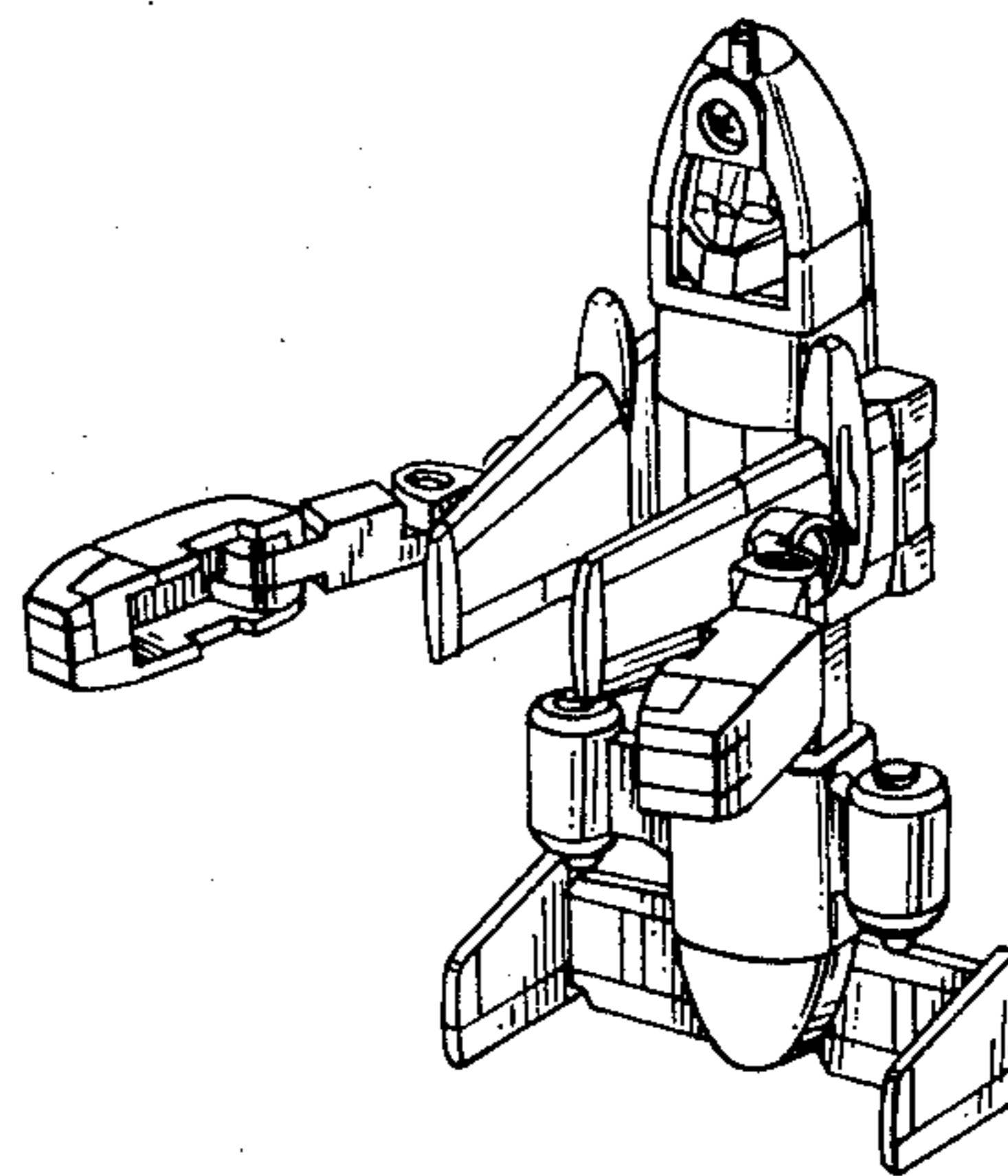
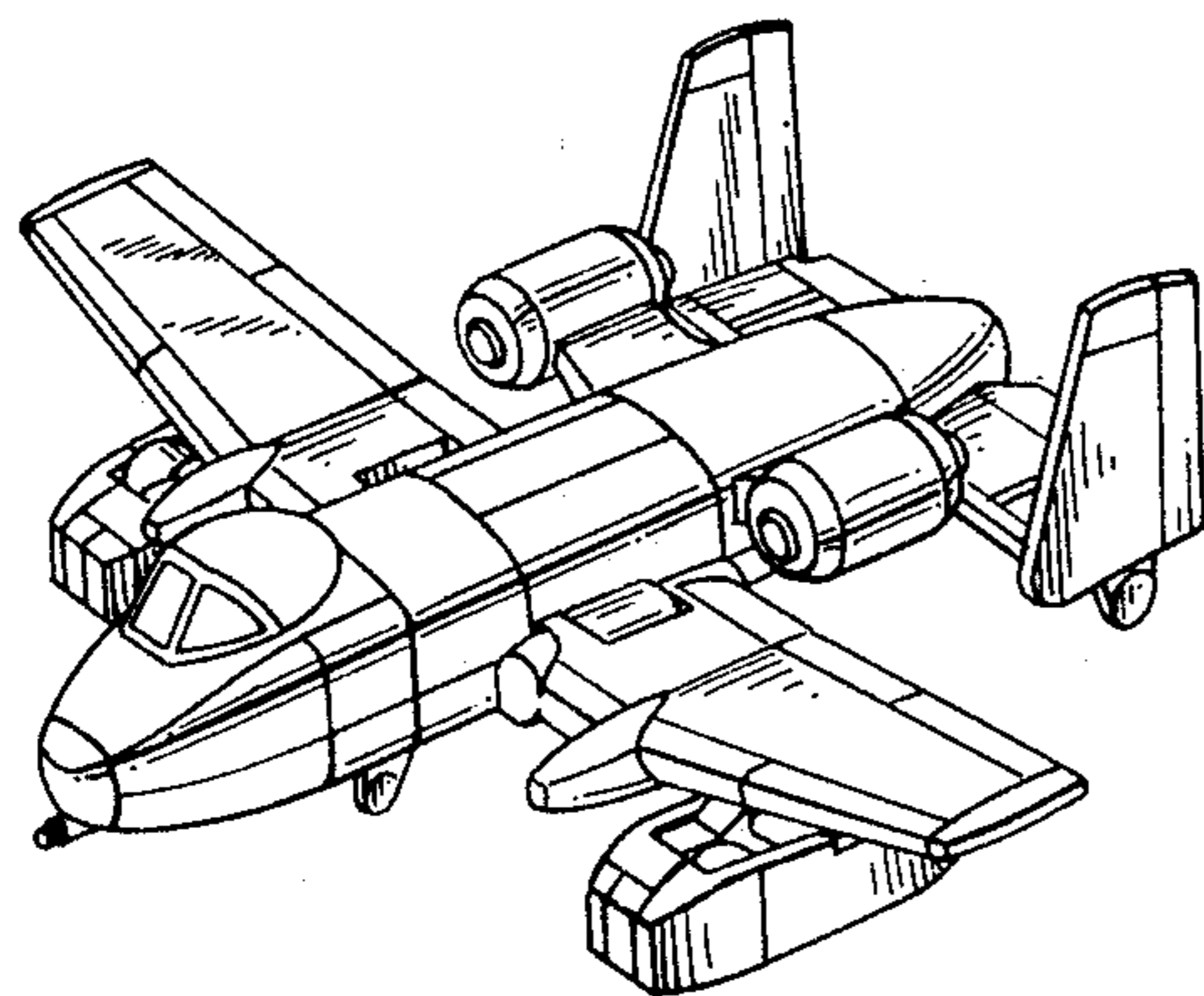


FIG. 2

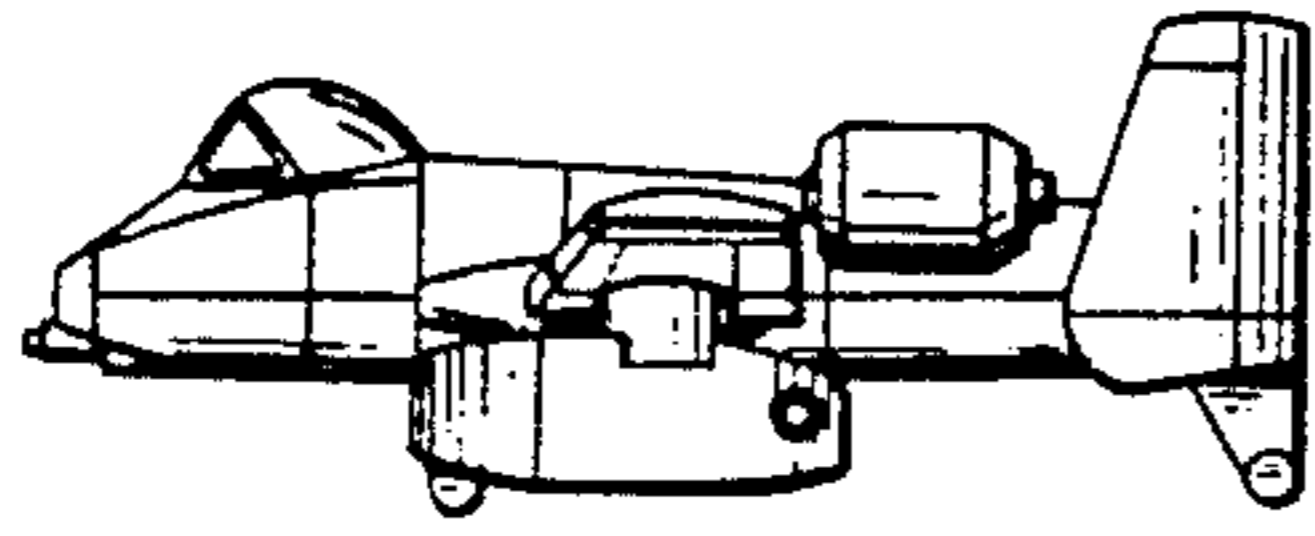


FIG. 1

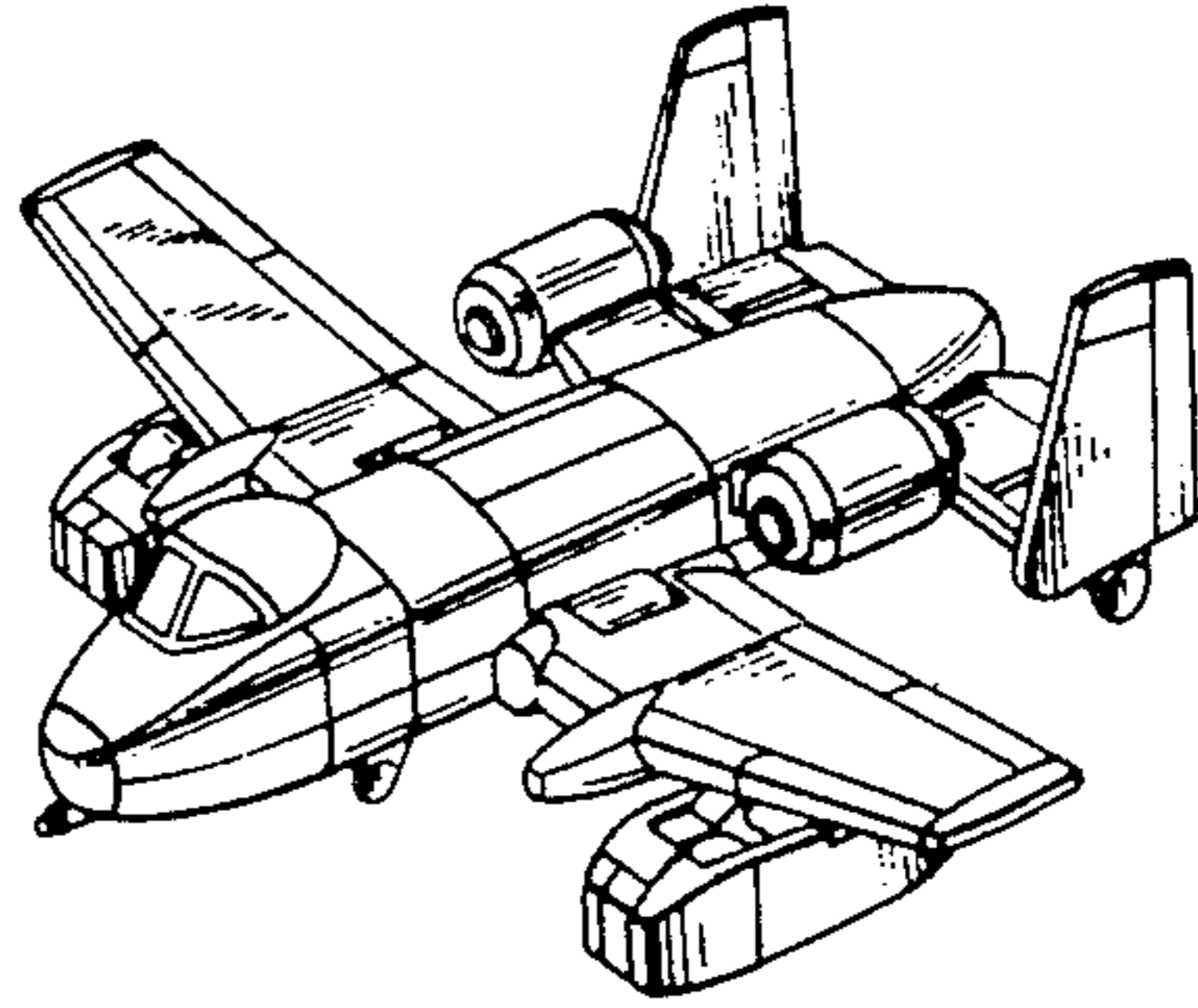


FIG. 4

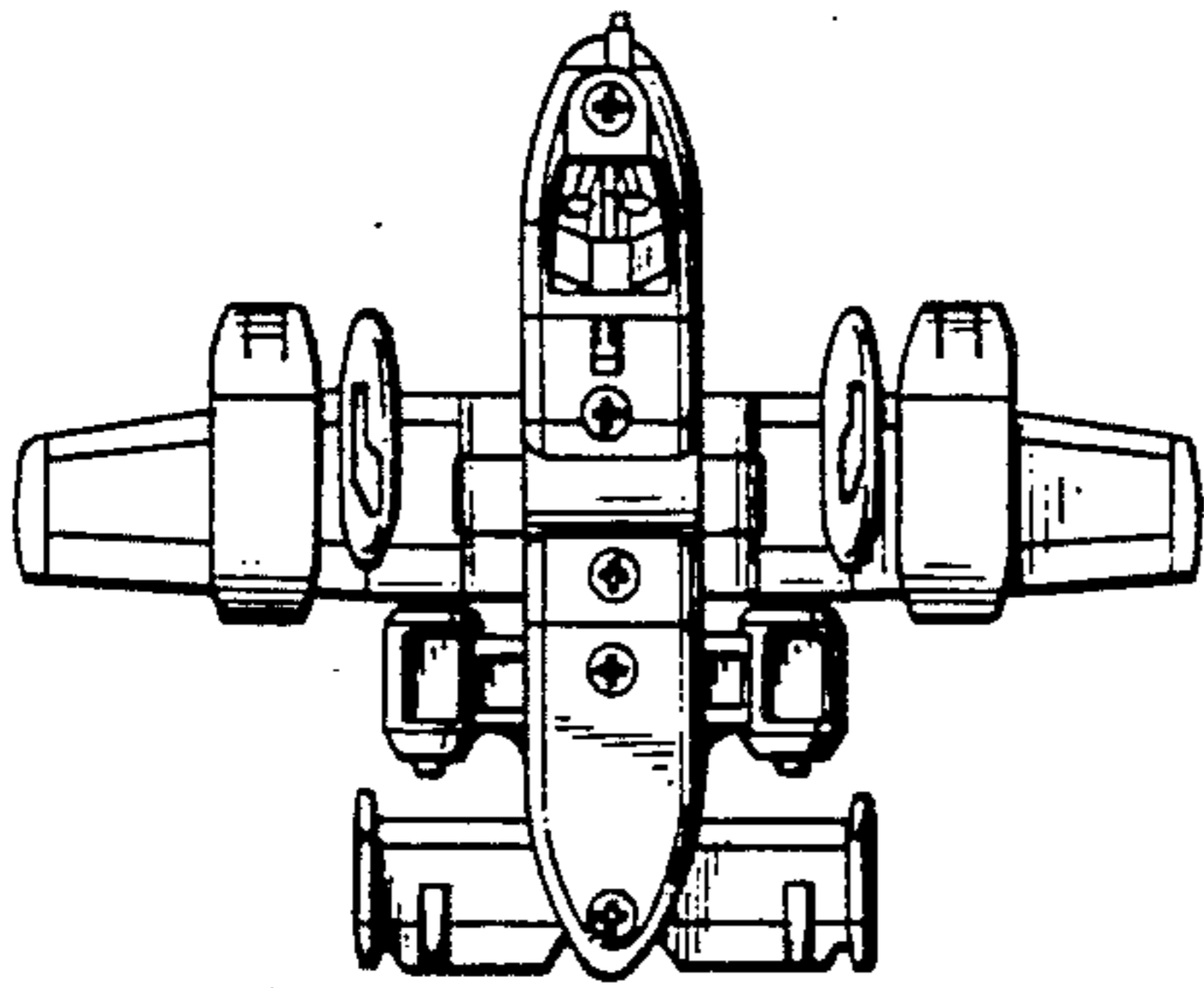


FIG. 3

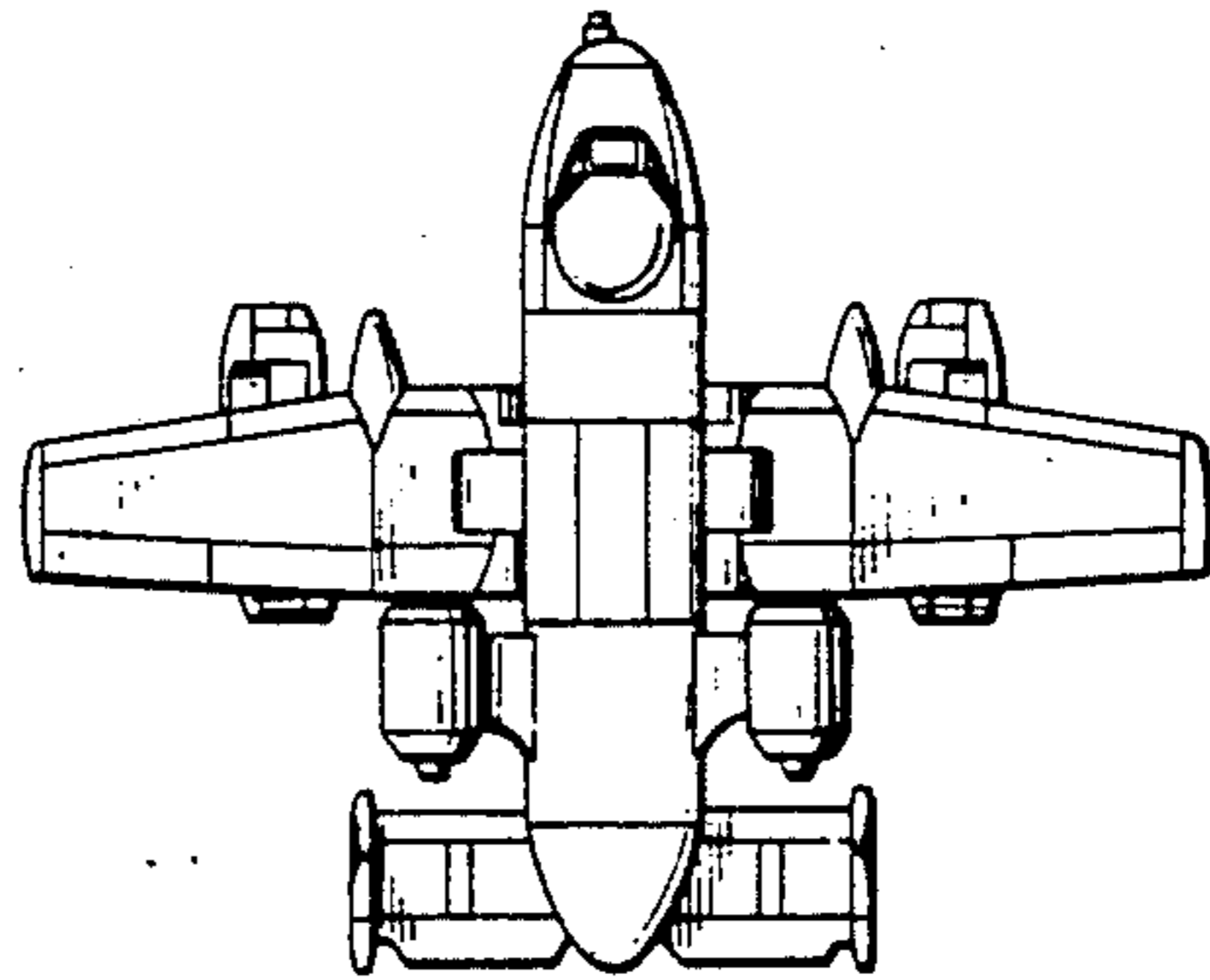


FIG. 5

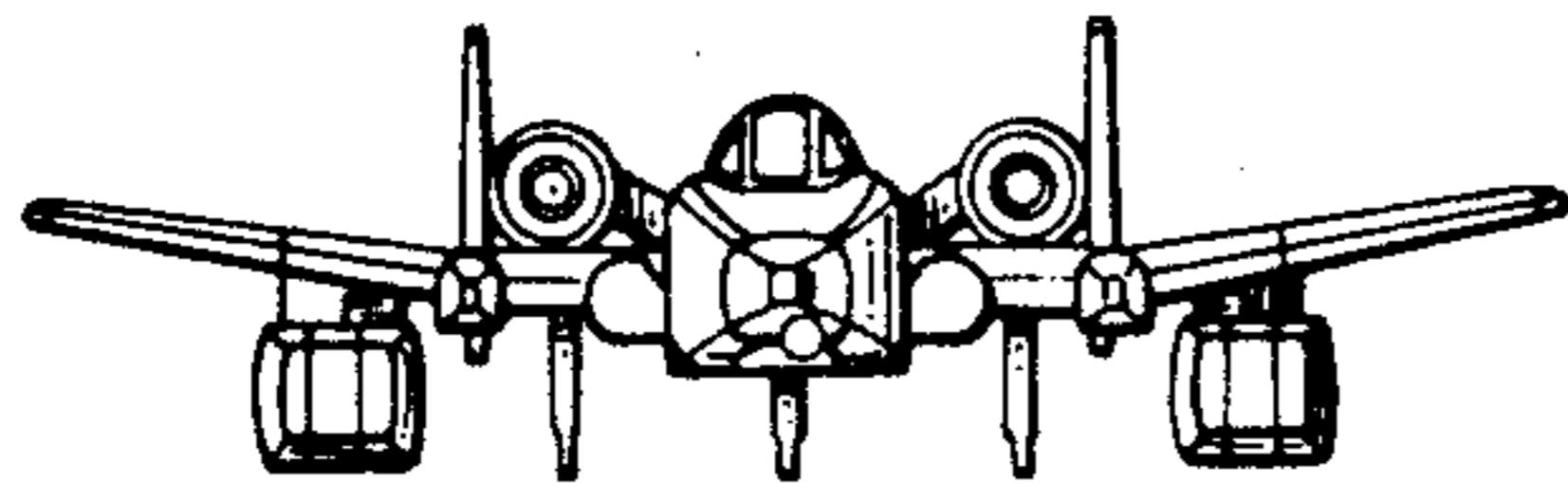


FIG. 6

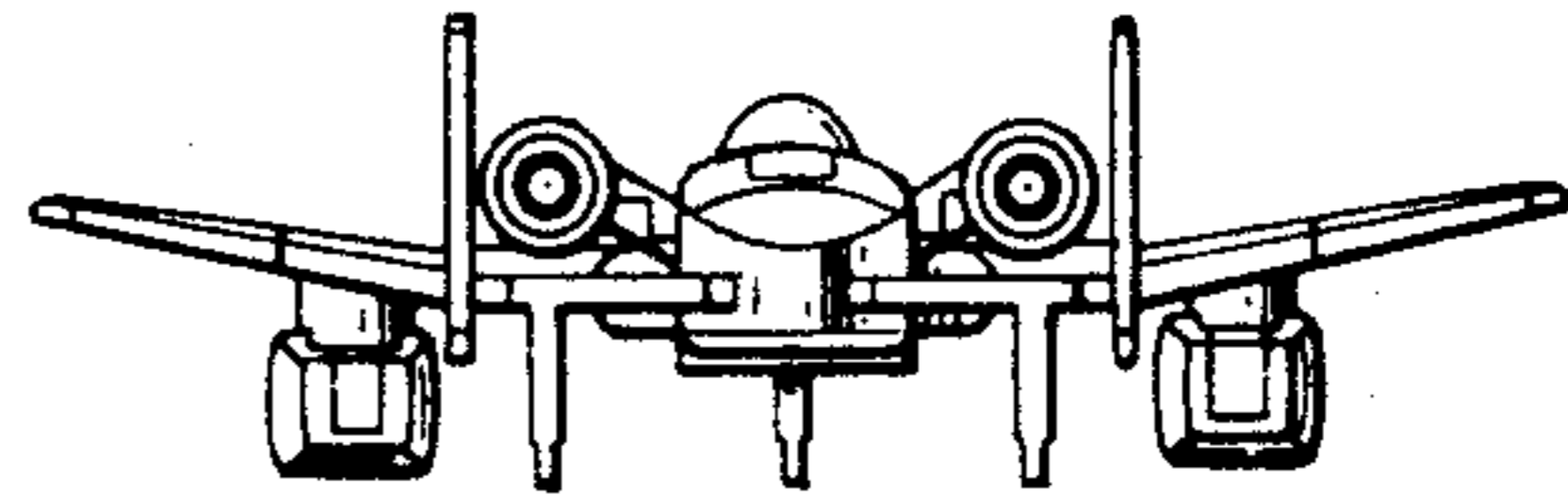


FIG. 8

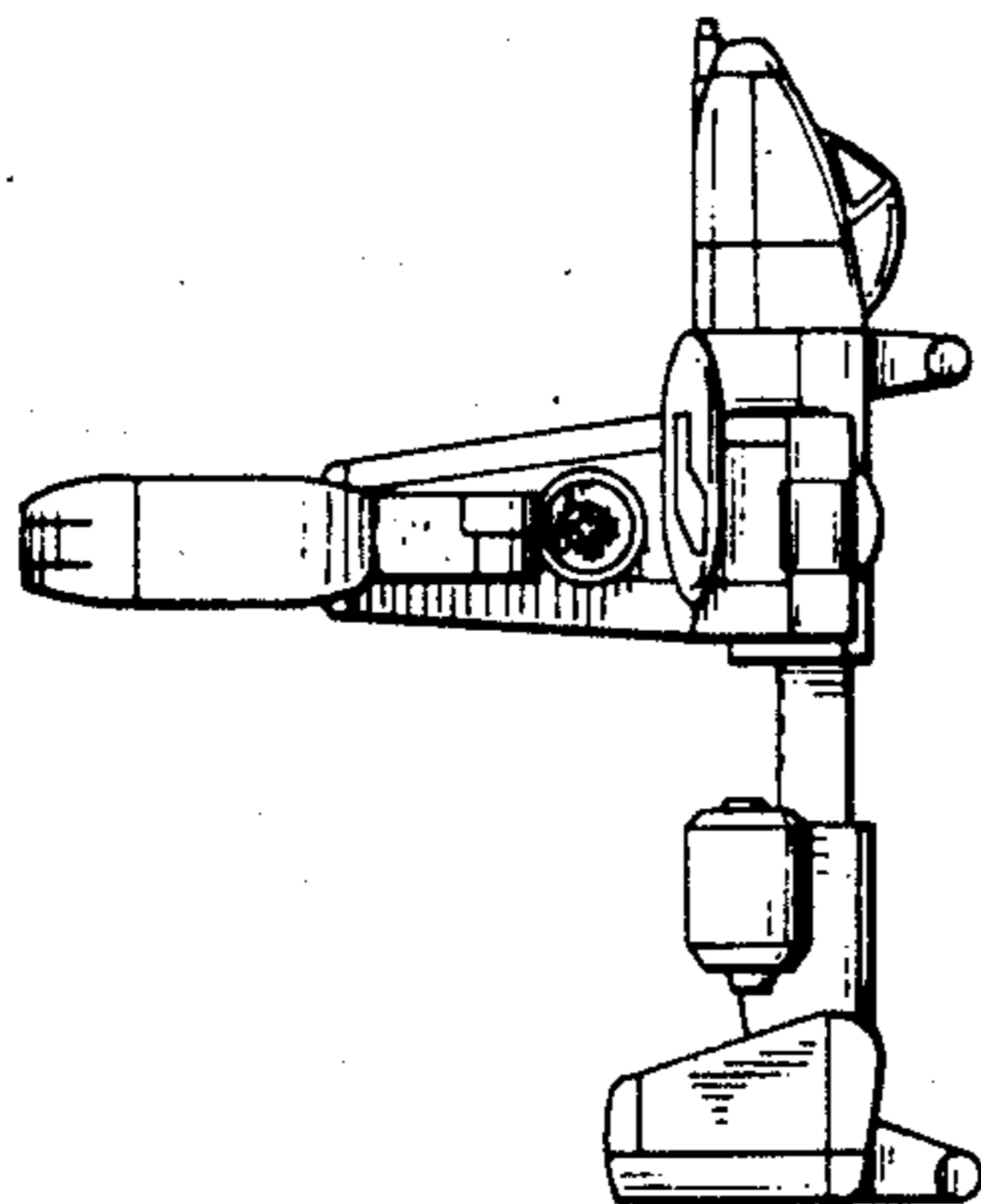
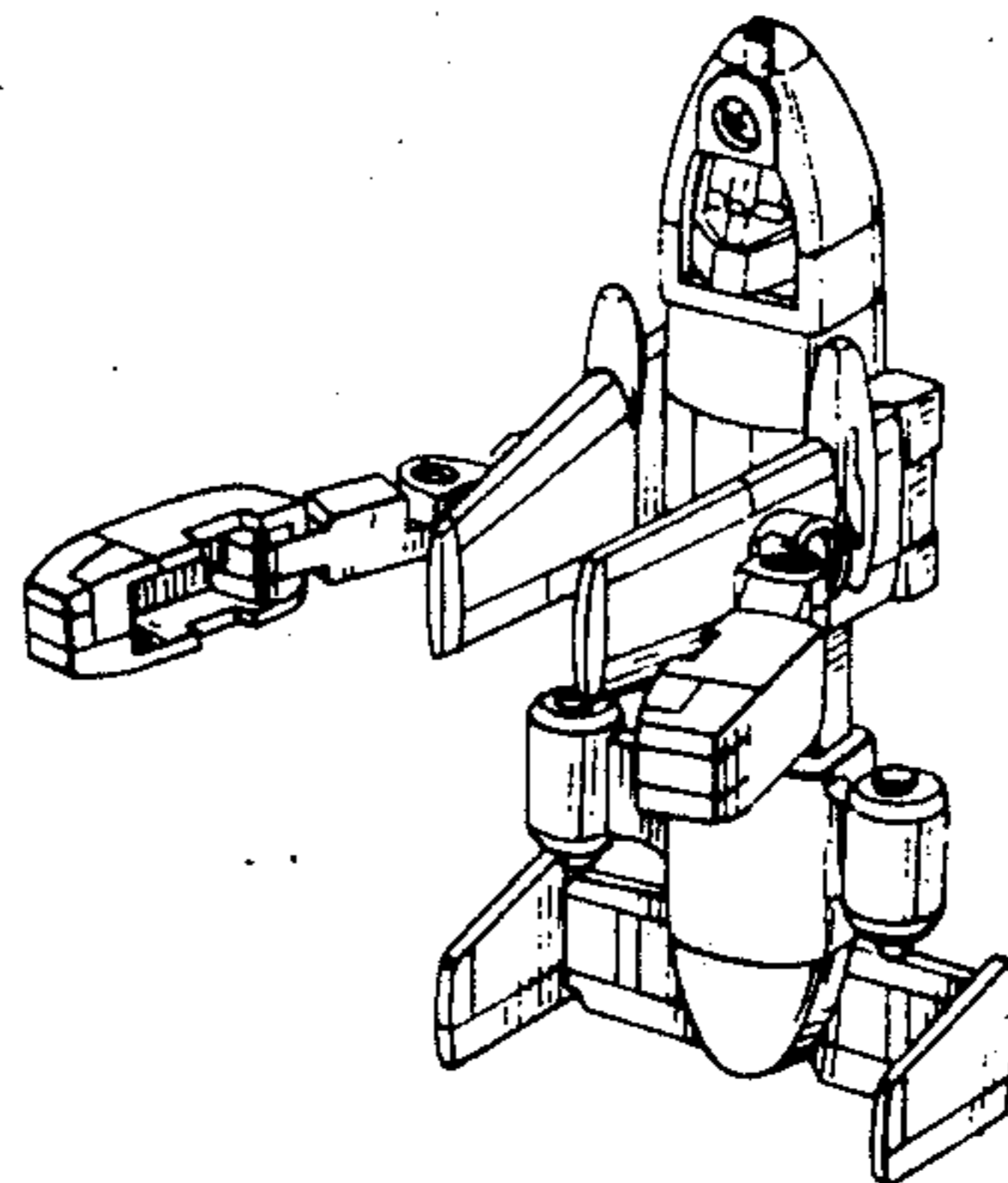


FIG. 7



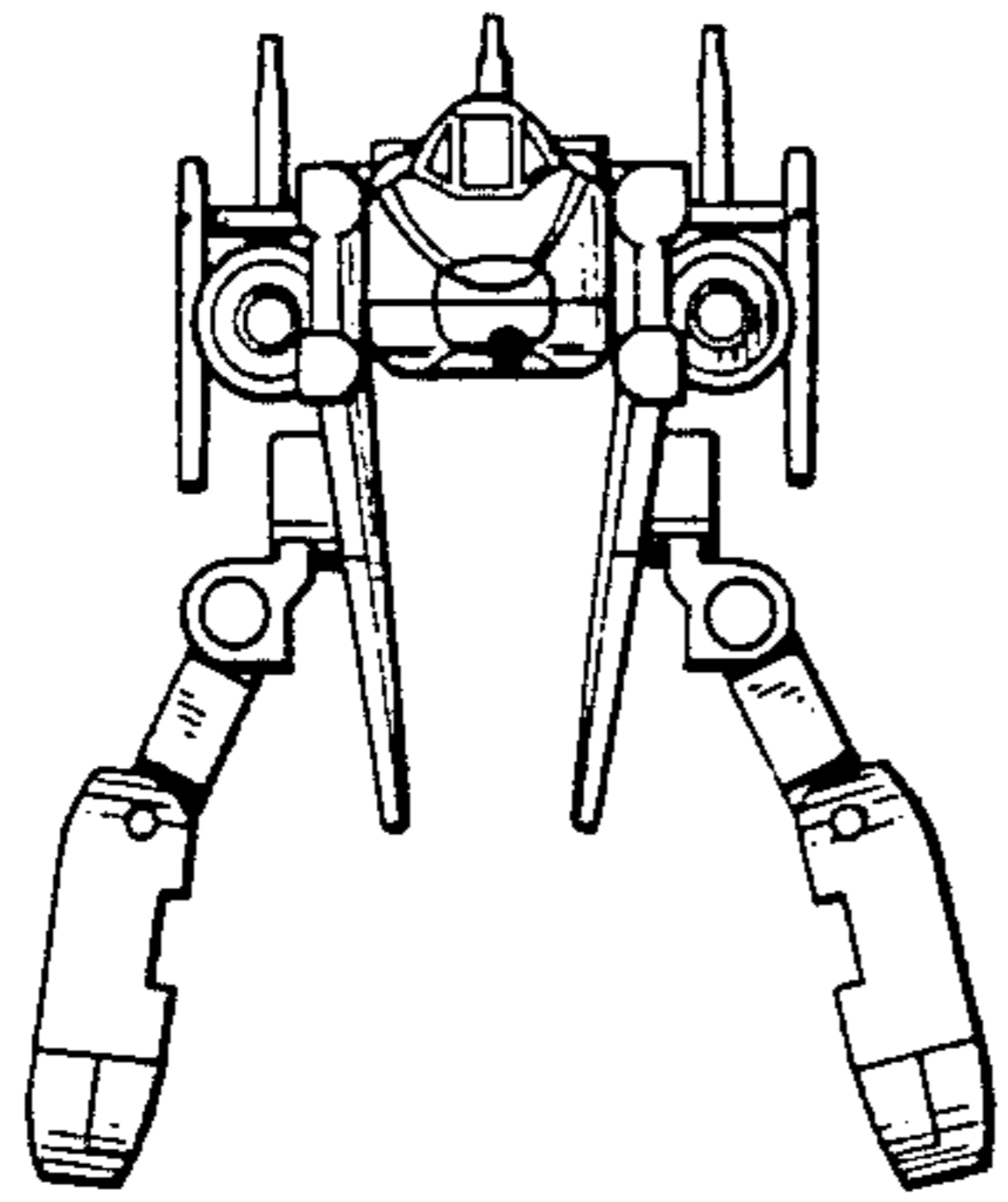


FIG. 10

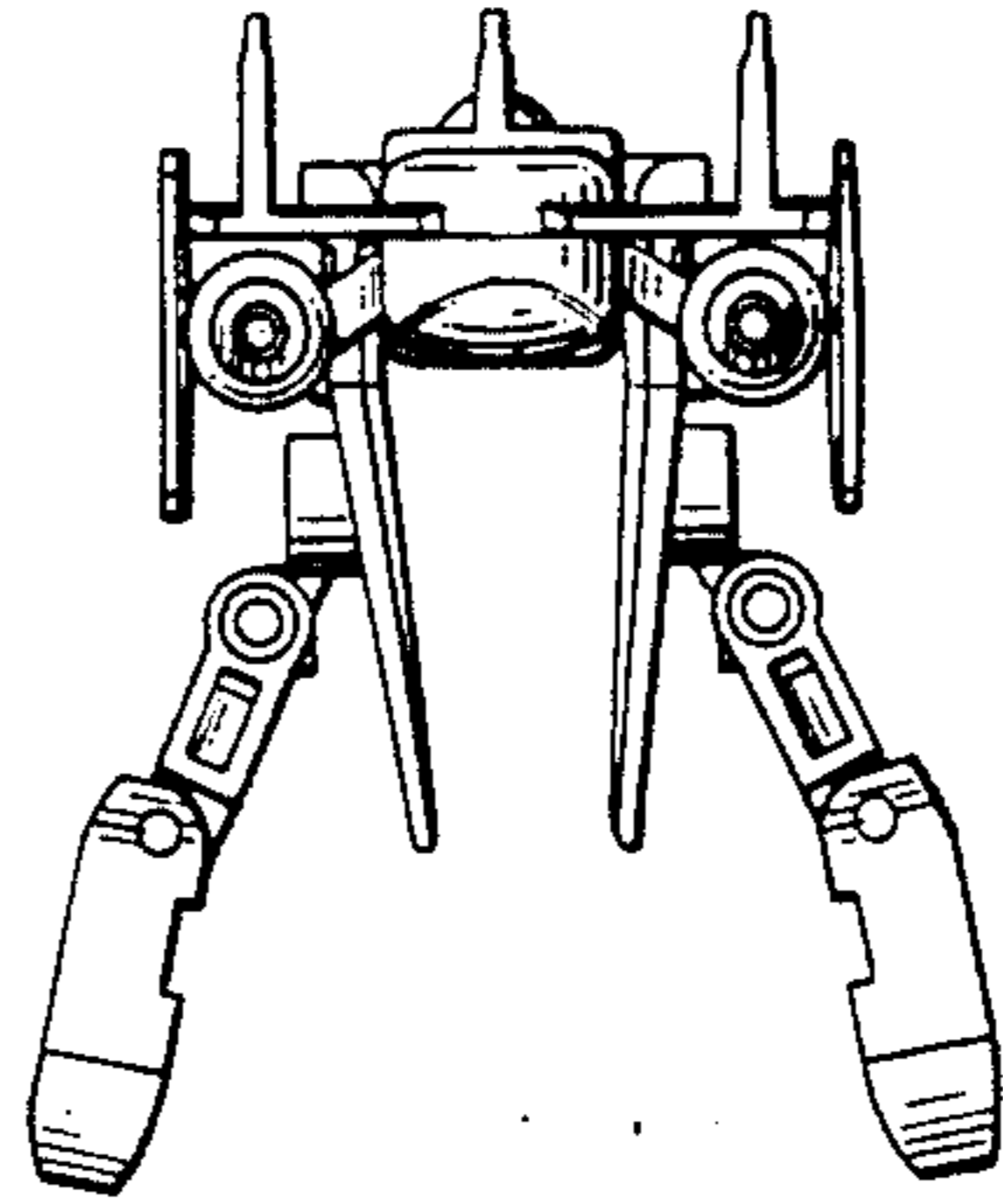


FIG. 9

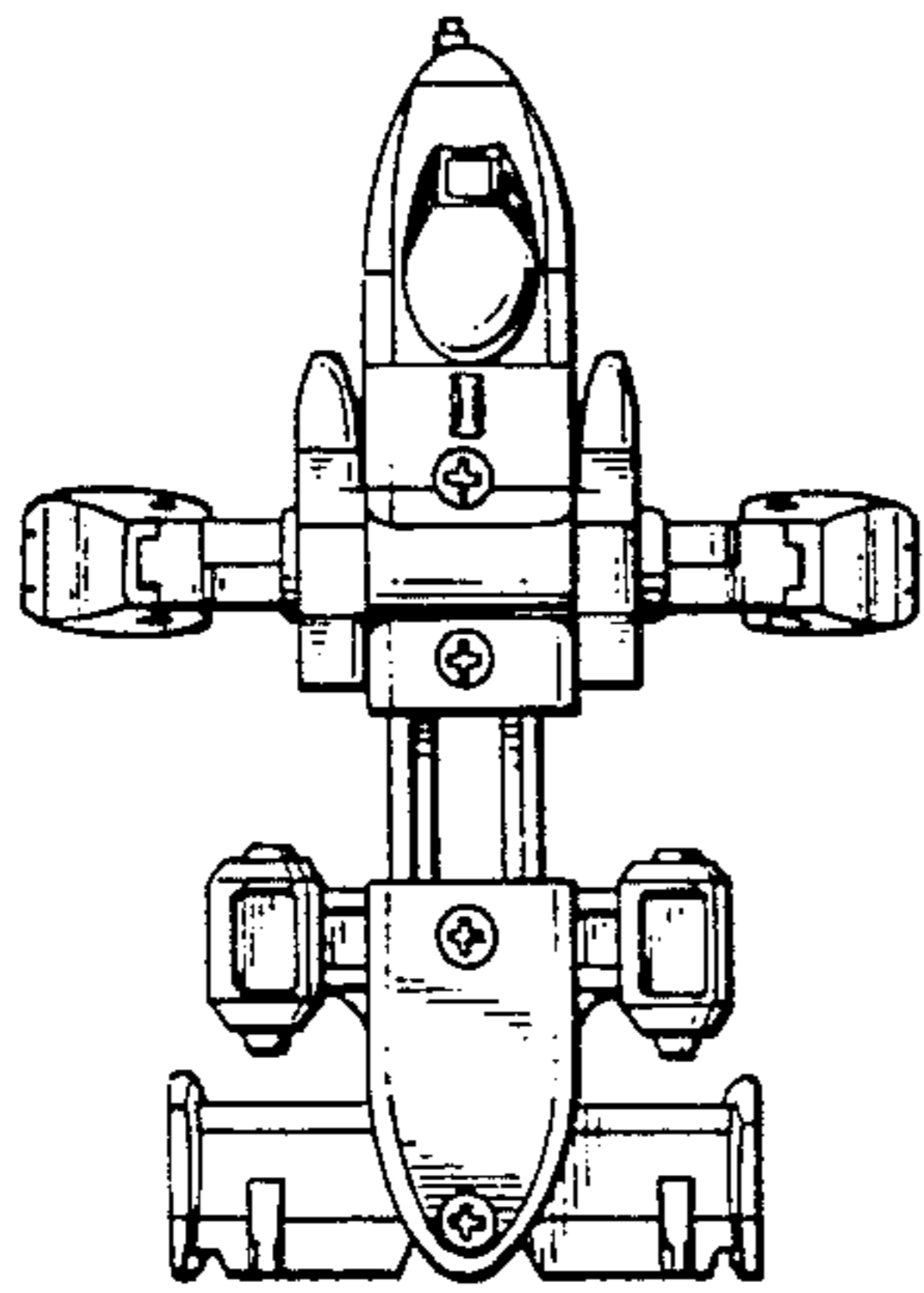


FIG. 12

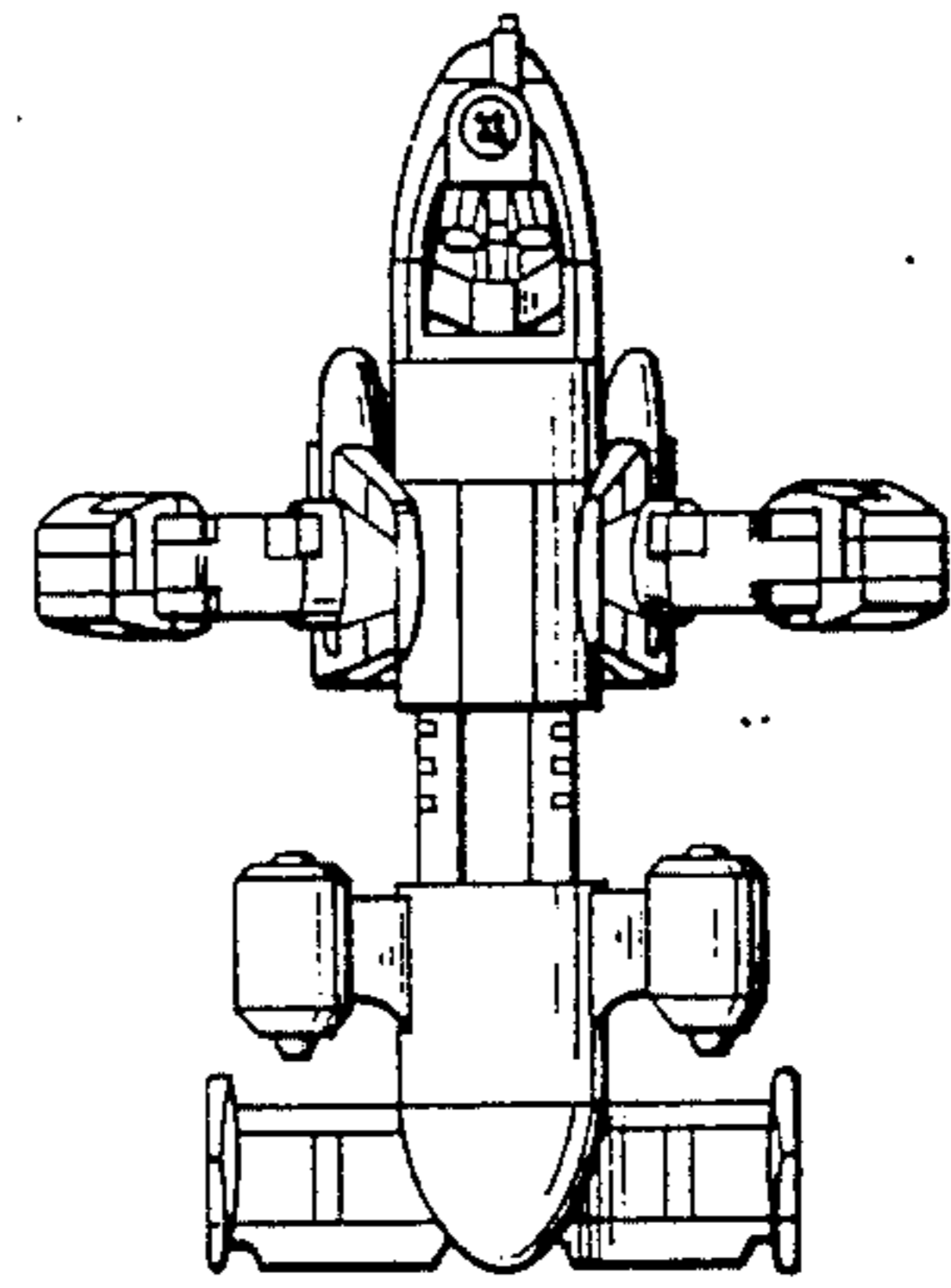


FIG. 11