

[54] TOY ASSAULT VEHICLE

[75] Inventors: Lawrence T. Jones, Los Angeles; R. Stephen Lee, Westlake Village; Paul J. Ishikawa, Hermosa Beach; Ashley G. Howden, Los Angeles, all of Calif.

[73] Assignee: California R & D Center, Culver City, Calif.

[**] Term: 14 Years

[21] Appl. No.: 698,249

[22] Filed: Feb. 5, 1985

[52] U.S. Cl. D21/134; D21/128

[58] Field of Search D21/128, 133, 134, 135, D21/136, 137, 139, 140; 446/72, 465, 466, 487, 470, 471; D12/12

[56] References Cited

U.S. PATENT DOCUMENTS

- D. 195,832 8/1963 Bauer D12/12
- D. 211,941 8/1968 Barr D12/12
- D. 226,182 1/1973 Danielson et al. D12/12

- D. 244,921 7/1977 Longeau D12/12
- D. 257,049 9/1980 Okado D21/134
- D. 260,792 9/1981 Jones et al. D12/12
- D. 279,806 7/1985 Stern et al. D21/134

OTHER PUBLICATIONS

Toys & Novelties; 8-1946, p. 99, "Armored Car".

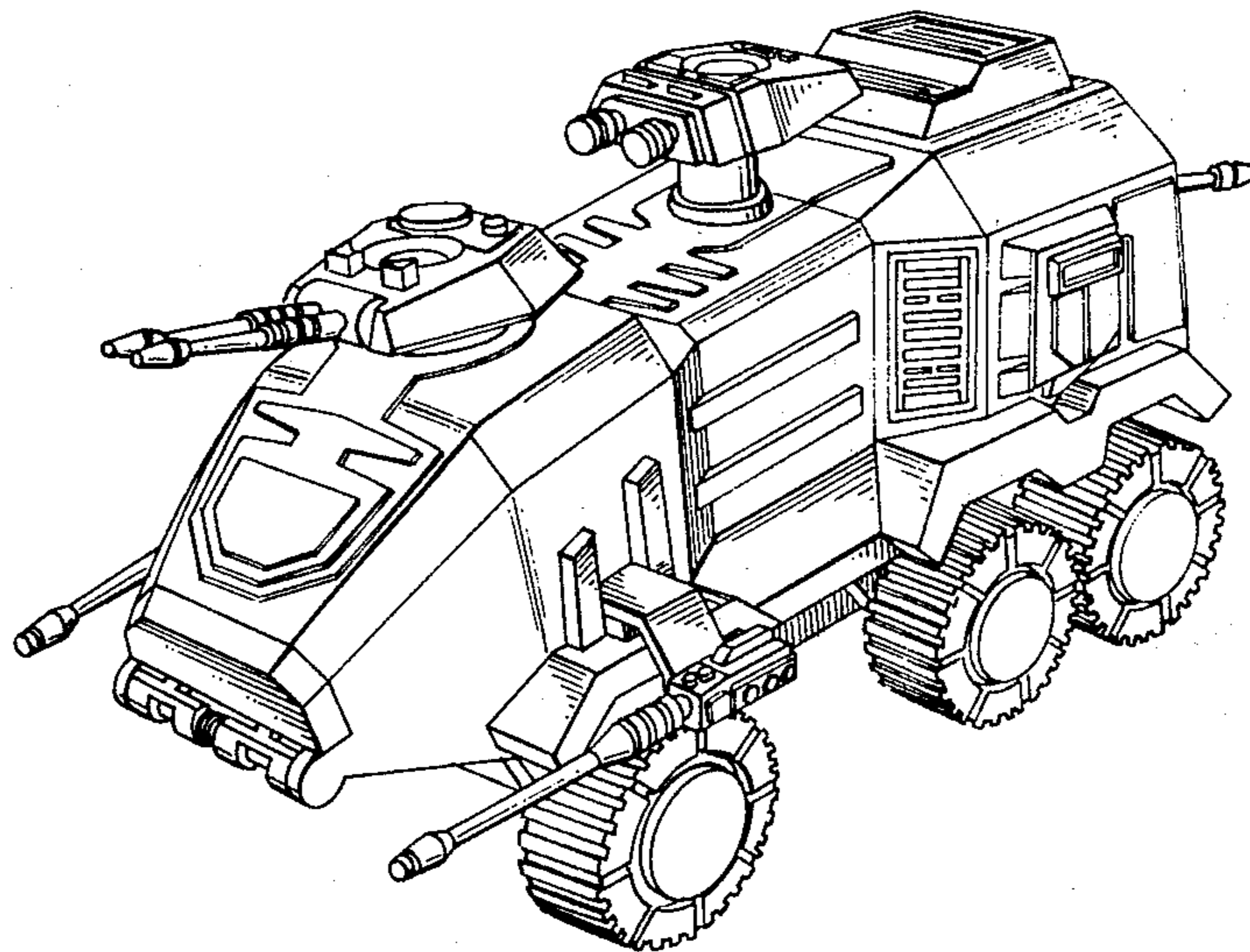
Primary Examiner—Charles A. Rademaker
Attorney, Agent, or Firm—Price, Gess & Ubell

[57] CLAIM

The ornamental design for a toy assault vehicle, substantially as shown and described.

DESCRIPTION

FIG. 1 is a side perspective view of a toy assault vehicle showing my new design;
 FIG. 2 is a left side elevational view thereof shown on a reduced scale;
 FIG. 3 is a top plan view thereof;
 FIG. 4 is a right side elevational view thereof;
 FIG. 5 is a bottom plan view thereof;
 FIG. 6 is a rear elevational view thereof; and,
 FIG. 7 is a front elevational view thereof.



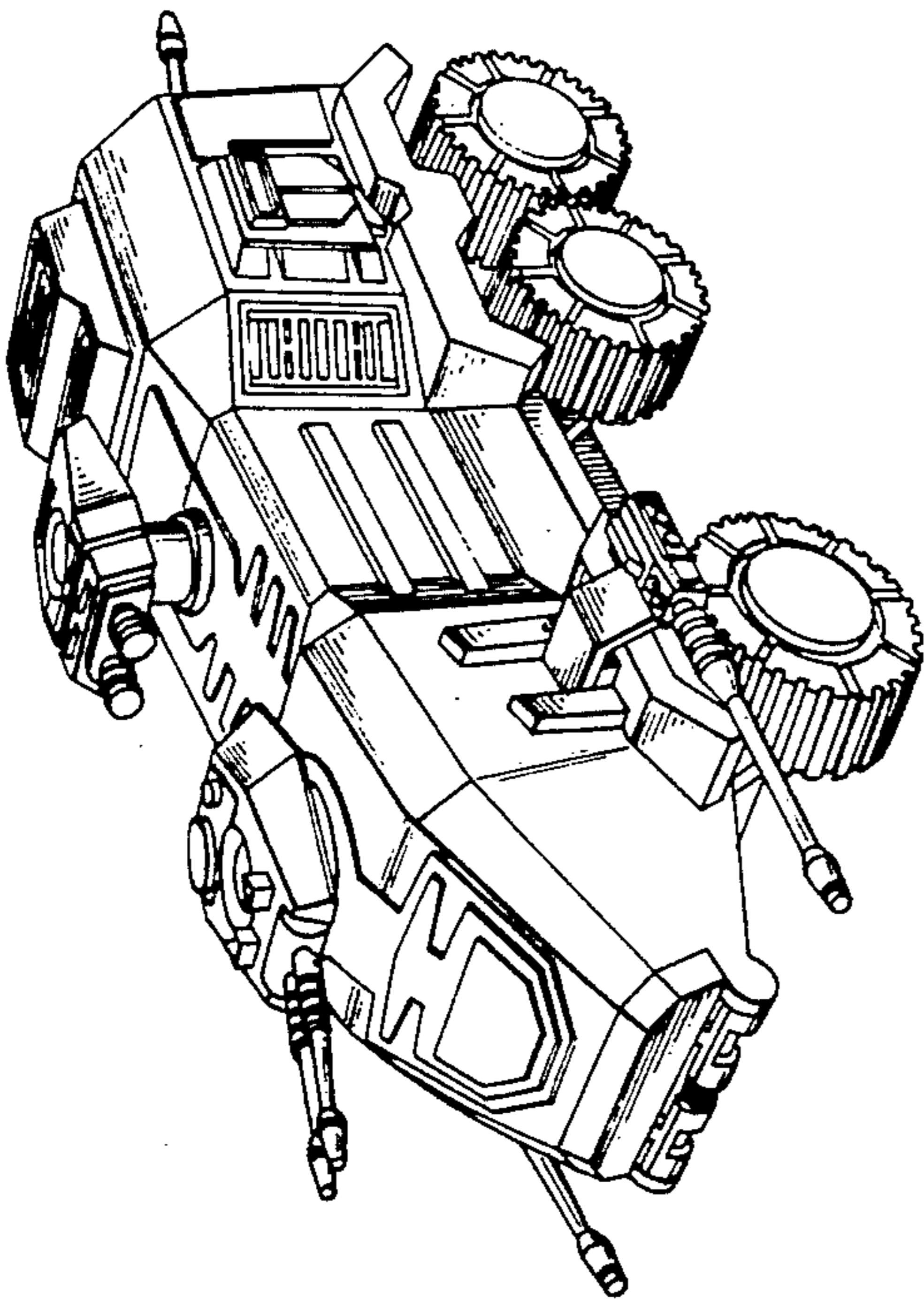


FIG. 1

FIG. 2

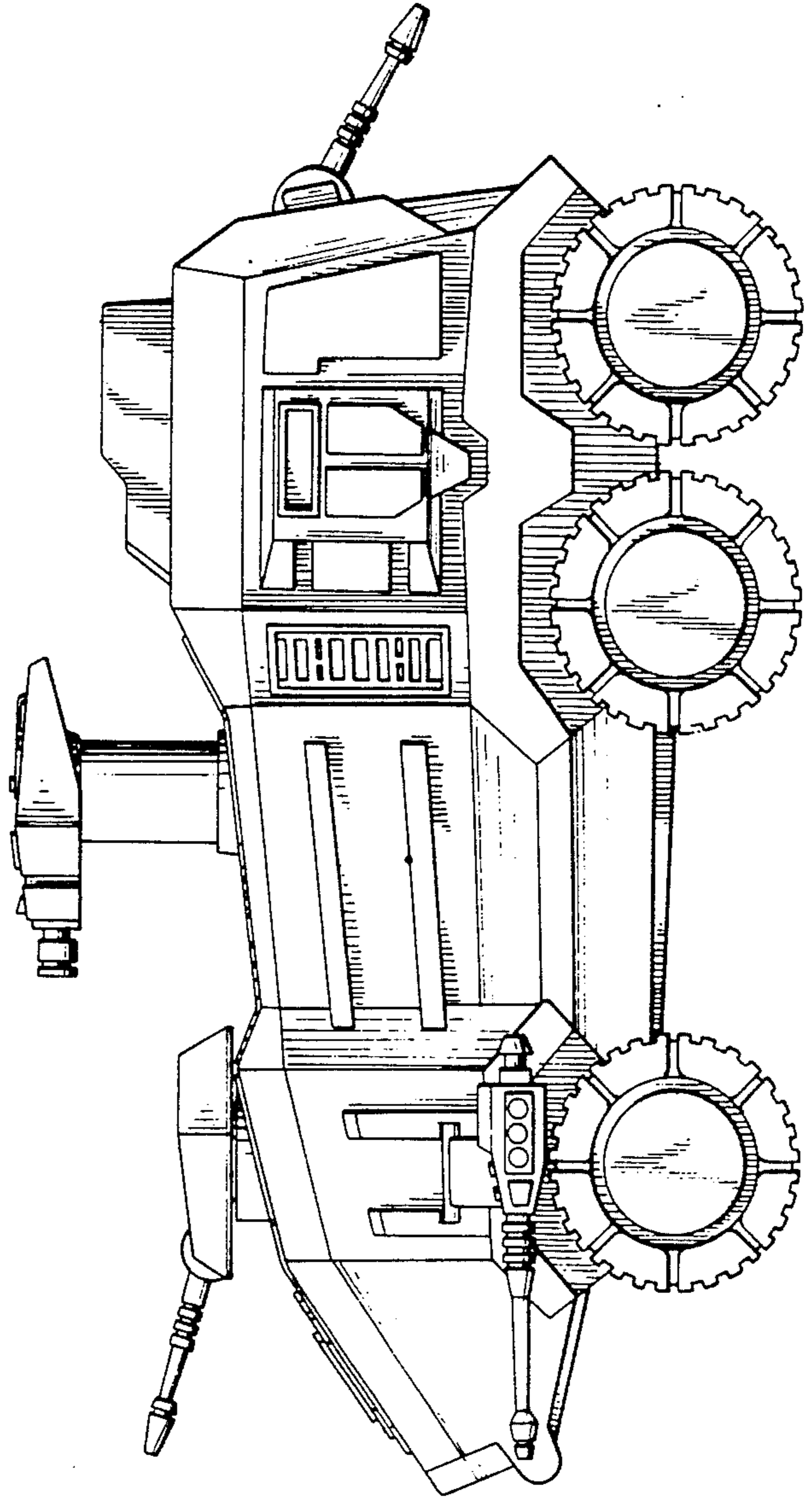


FIG. 3

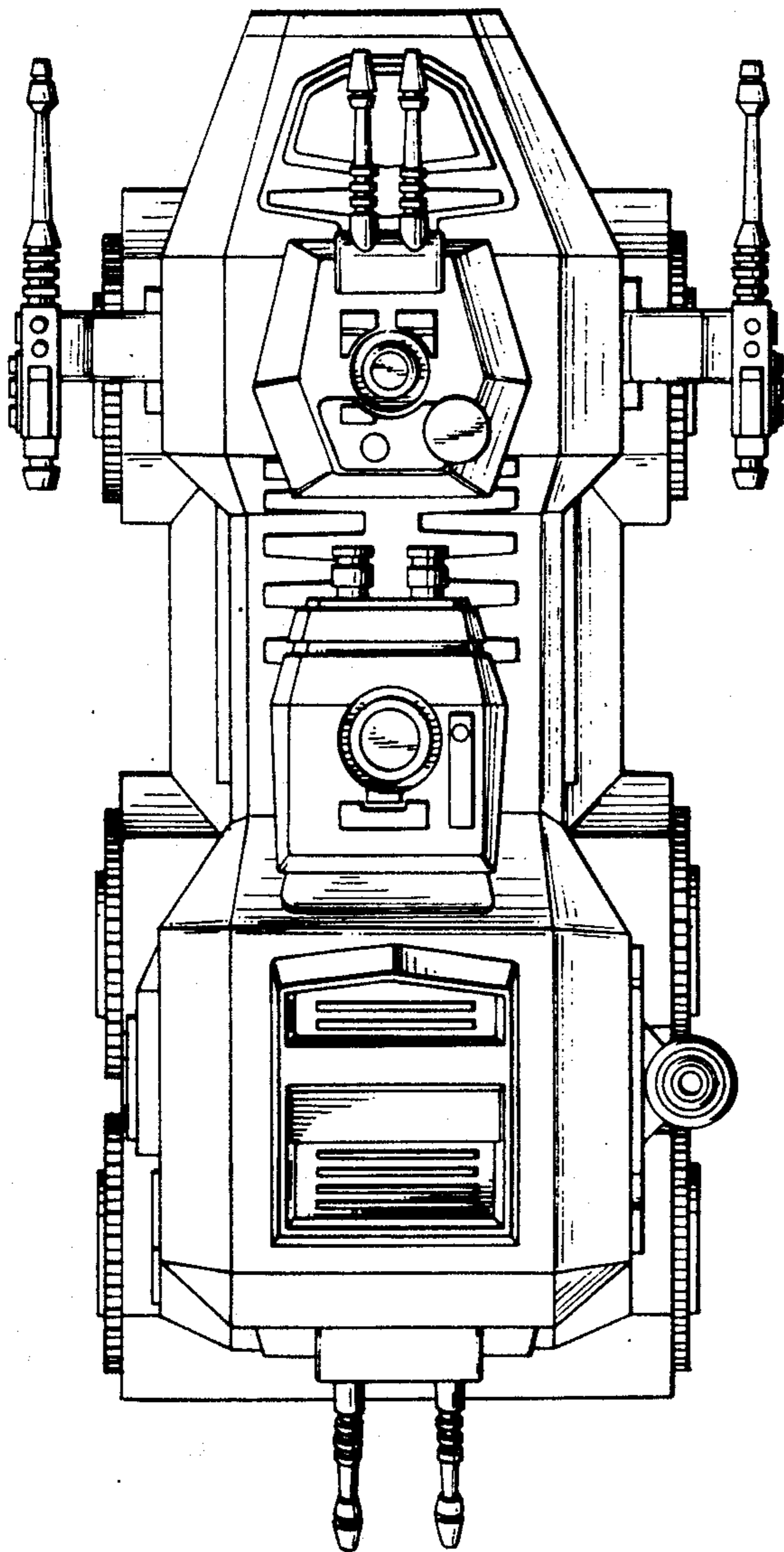


FIG. 4

