

[54] **TOY CONSTRUCTION PIECE**

[75] **Inventors: Jan Ryaa, Billund; Ole V. Poulsen, Vejle, both of Denmark**

[73] **Assignee: Interlego A.G., Baar, Switzerland**

[**] **Term: 14 Years**

[21] **Appl. No.: 805,307**

[22] **Filed: Dec. 4, 1985**

[52] **U.S. Cl. D21/108**

[58] **Field of Search D21/108; 446/85, 97, 446/99, 104, 105, 106, 107, 108, 109, 110, 117, 118, 120, 121, 122, 124, 126, 127**

[56] **References Cited**

U.S. PATENT DOCUMENTS

D. 149,346 4/1948 Geib D21/108

D. 226,016 1/1973 Podell D21/108
D. 258,830 4/1981 Sigg D21/108
1,779,826 10/1930 Potter D21/108
2,095,700 10/1937 Heede 446/107

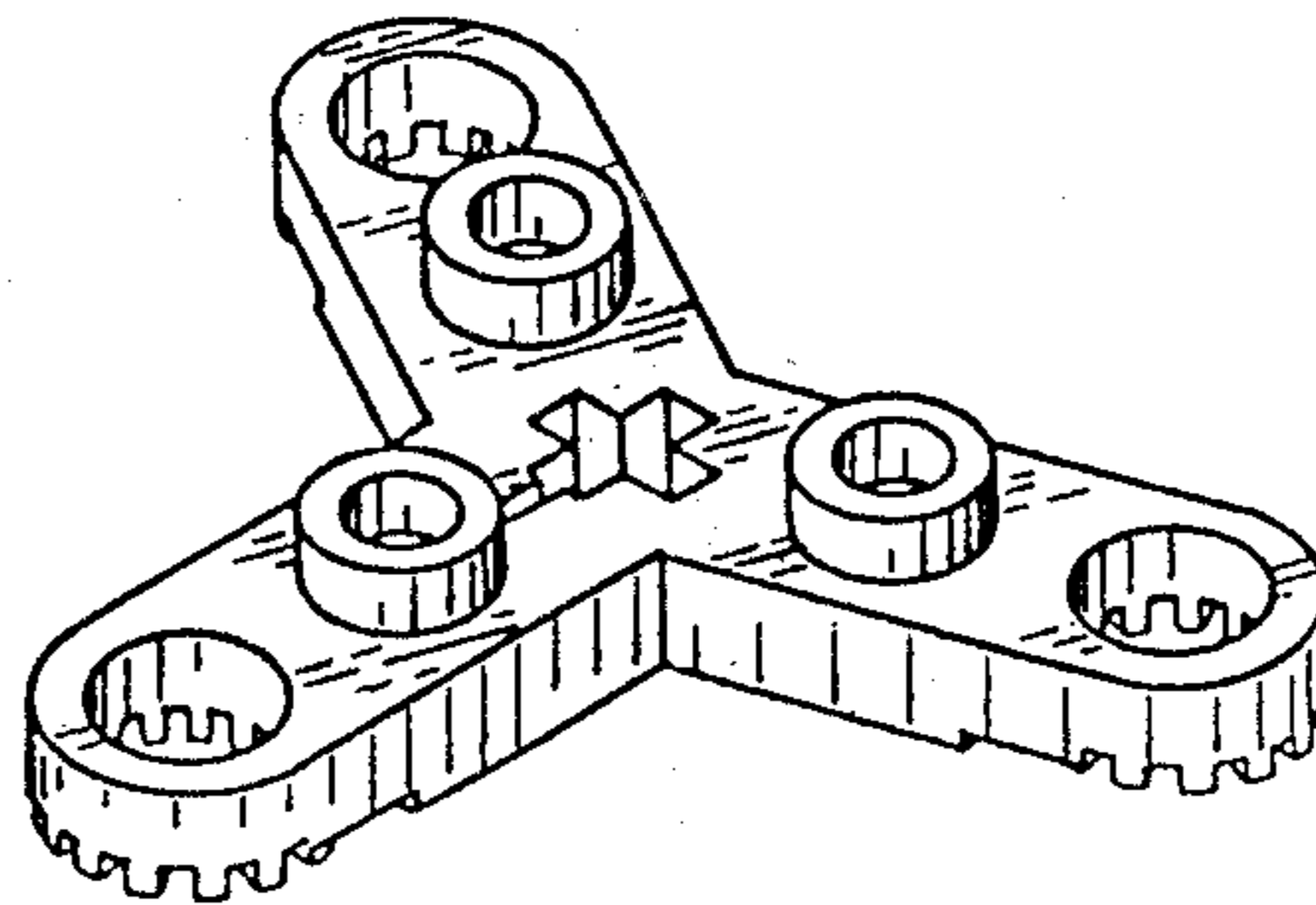
Primary Examiner—Charles A. Rademaker
Attorney, Agent, or Firm—Kane, Dalsimer, Kane, Sullivan and Kurucz

[57] **CLAIM**

The ornamental design for a toy construction piece, as shown and described.

DESCRIPTION

FIG. 1 is a top perspective view of a toy construction piece showing our new design; FIG. 2 is a top plan view thereof; FIG. 3 is a front elevational view thereof; and FIG. 4 is a bottom view thereof.



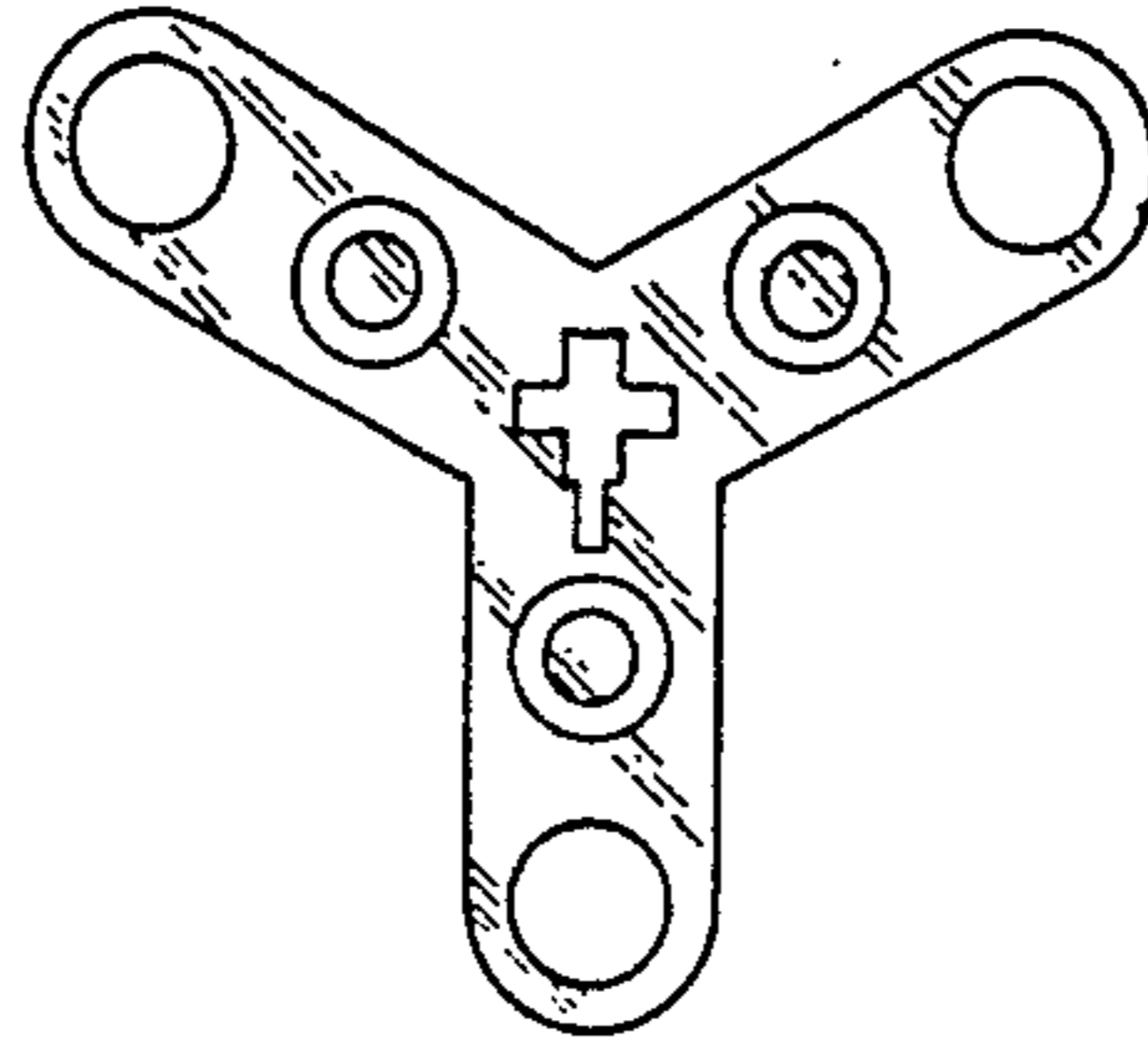


FIG. 2



FIG. 3

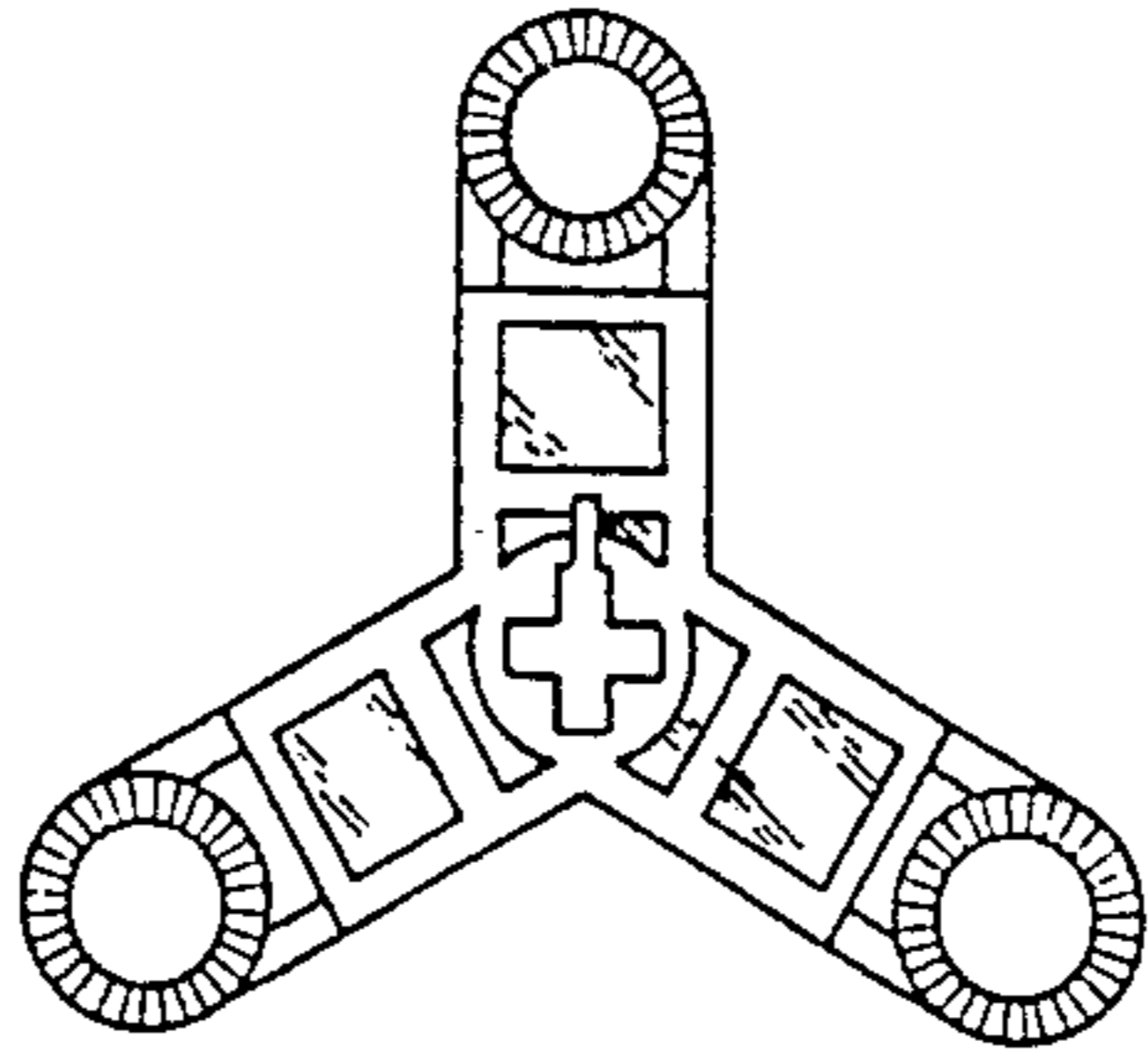


FIG. 4

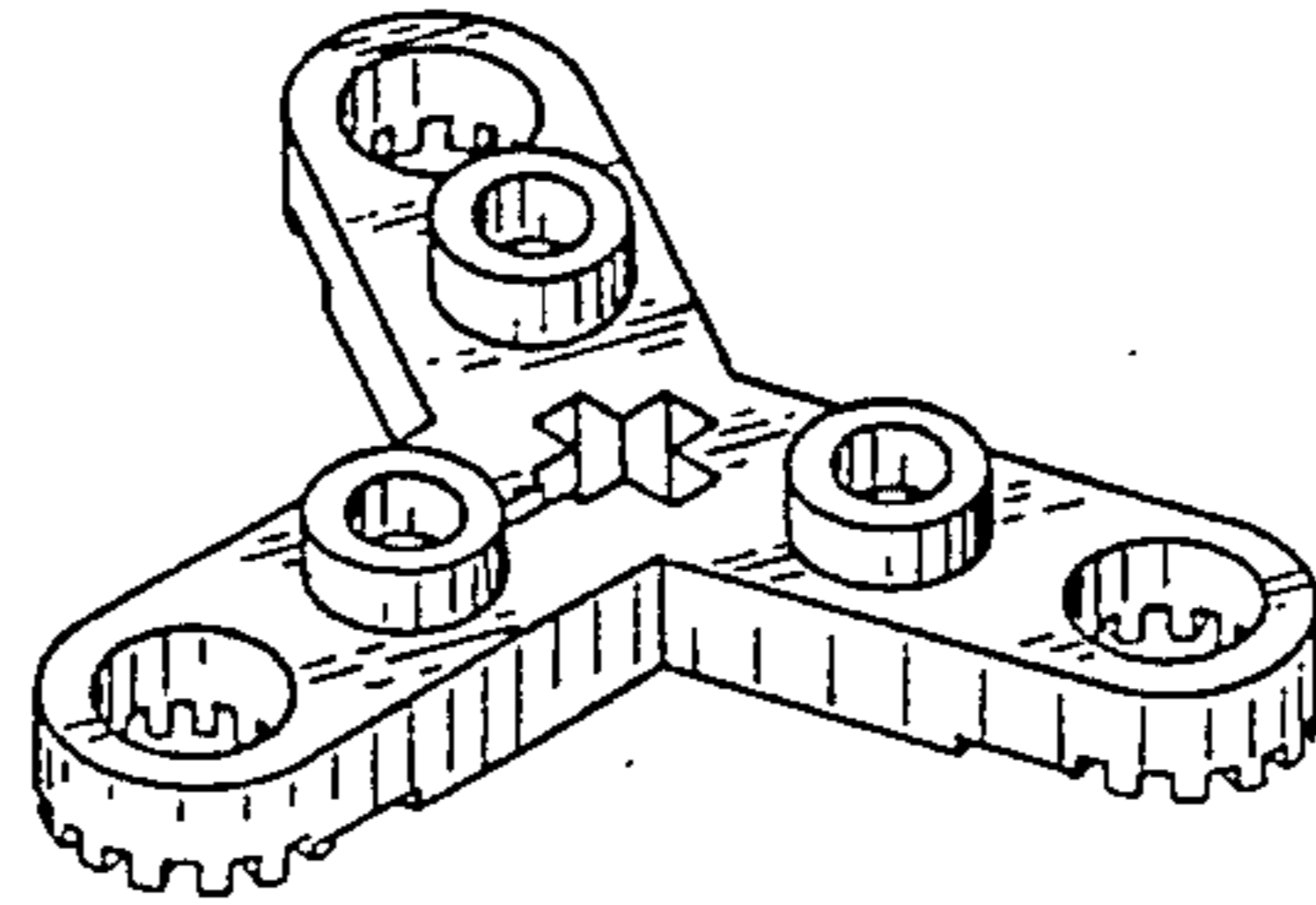


FIG. 1