

[54] TYPEWRITER LID

[75] Inventors: Lawrence D. Greene, Groton; Melvin D. McCall, Homer, both of N.Y.

[73] Assignee: SCM Corporation, Cortland, N.Y.

[**] Term: 14 Years

[21] Appl. No.: 719,940

[22] Filed: Apr. 4, 1985

[52] U.S. Cl. D18/12

[58] Field of Search D18/1, 2, 12, 22; D14/114; D3/72, 73; 400/689-694

[56] References Cited

U.S. PATENT DOCUMENTS

- D. 253,978 1/1980 Osit D3/72
- D. 259,975 7/1981 Labarbera D3/72
- D. 261,153 10/1981 Cathey D18/22
- D. 268,457 4/1983 Bellini D3/72

D. 280,732 9/1985 Gunzi D18/1

Primary Examiner—Louis S. Zarfaz

[57] CLAIM

The ornamental design for a typewriter lid, as shown and described.

DESCRIPTION

FIG. 1 is a front perspective view of a typewriter lid showing our new design in solid lines embodied on a typewriter represented in broken lines;

FIG. 2 is a top plan view thereof;

FIG. 3 is a front elevational view thereof;

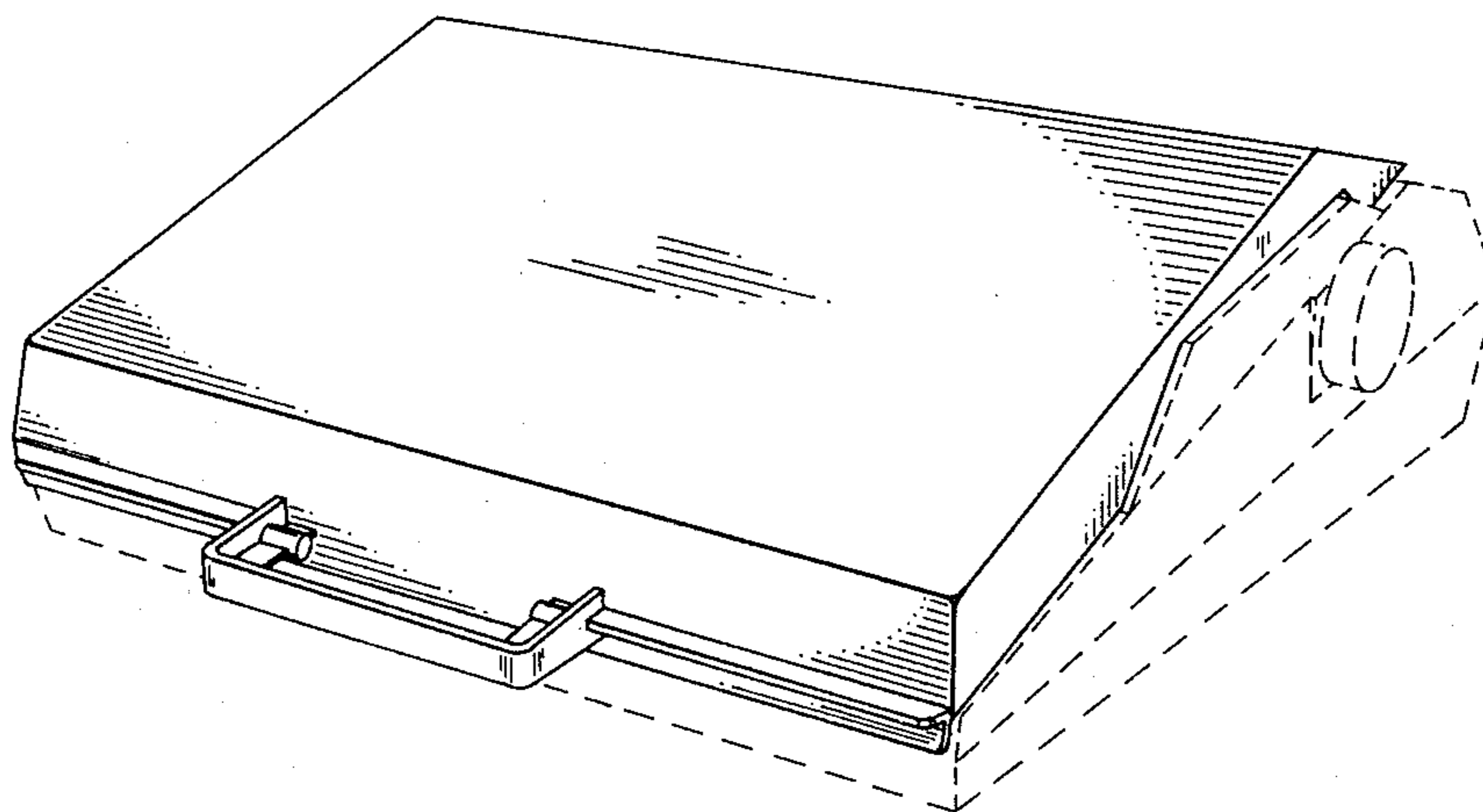
FIG. 4 is a bottom plan view thereof;

FIG. 5 is a rear elevational view thereof;

FIG. 6 is a left side elevational view thereof; and

FIG. 7 is a right side elevational view thereof.

The broken line showing of a typewriter in FIG. 1 is for illustrative purposes only and forms no part of the claimed design.



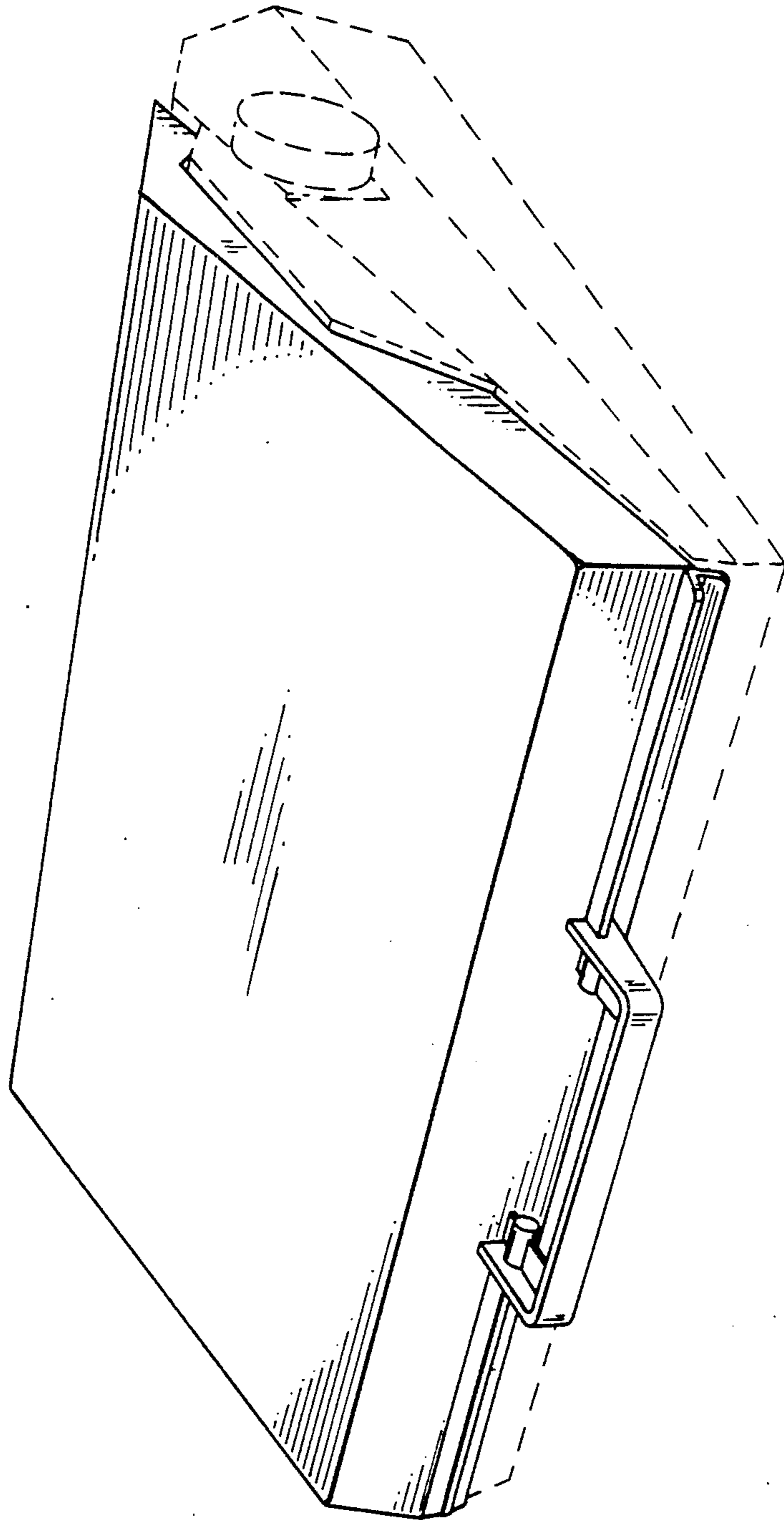


FIG. 1

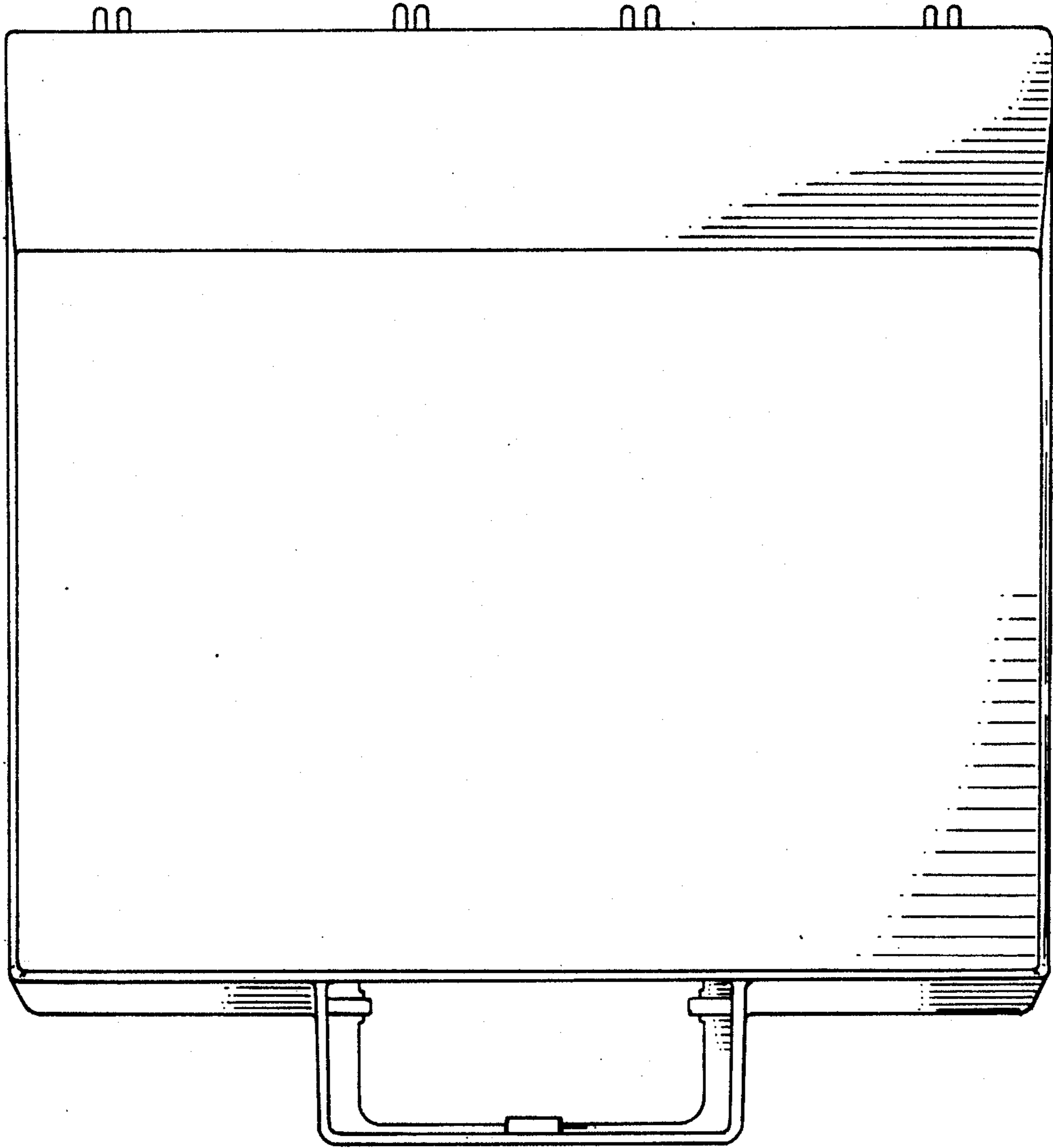


FIG. 2

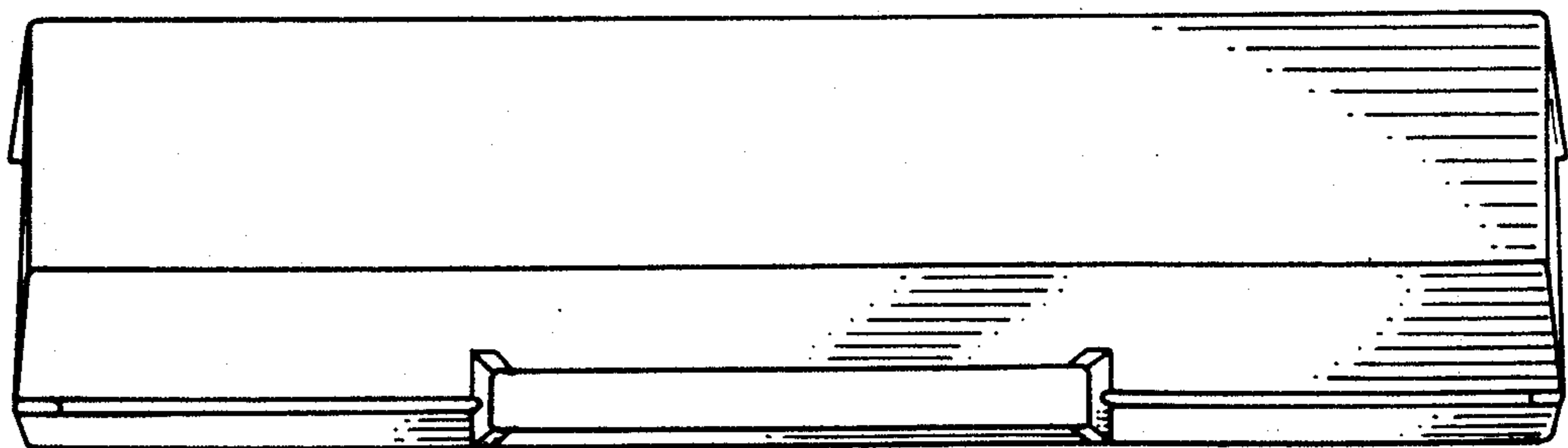


FIG. 3

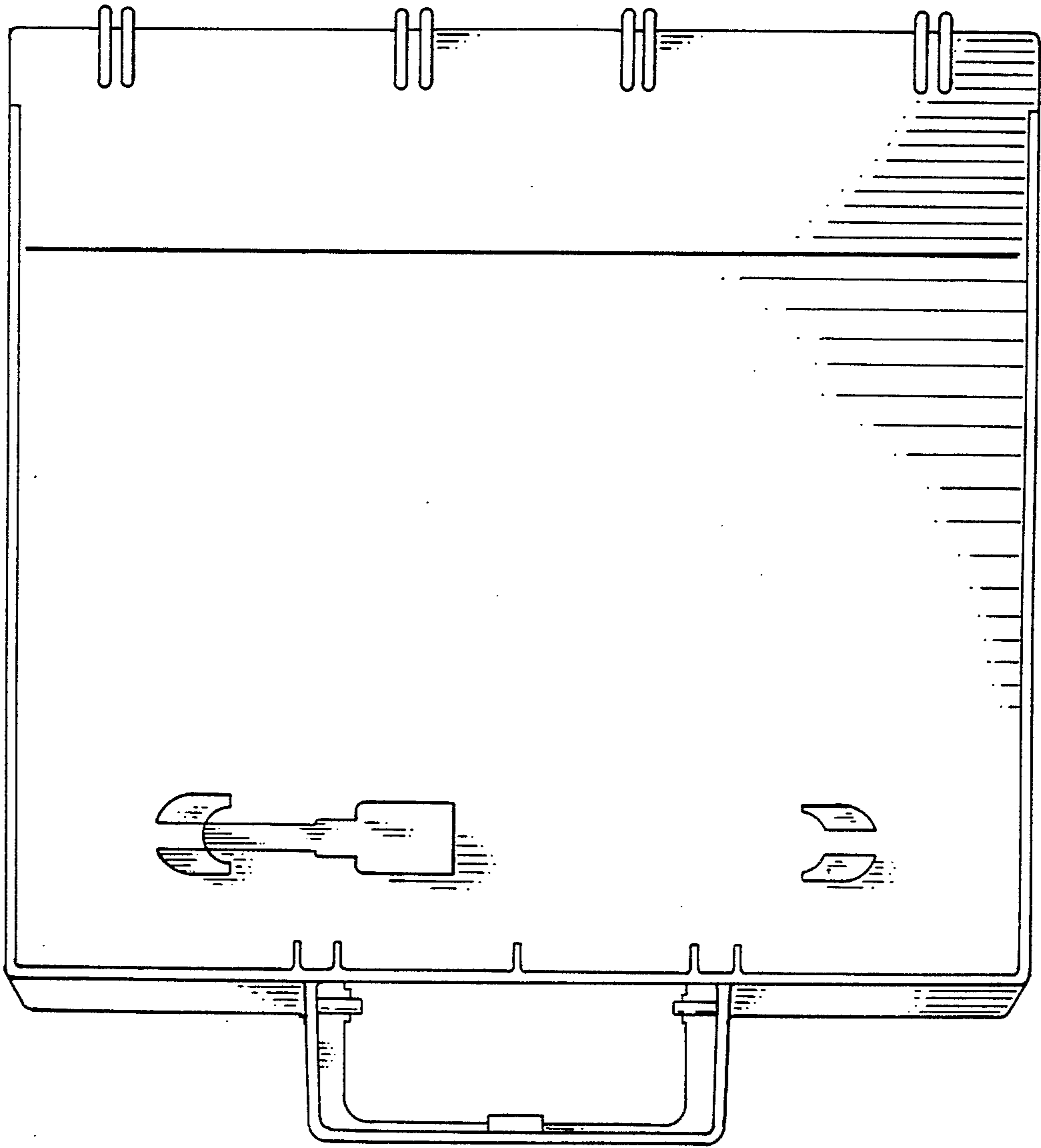


FIG. 4

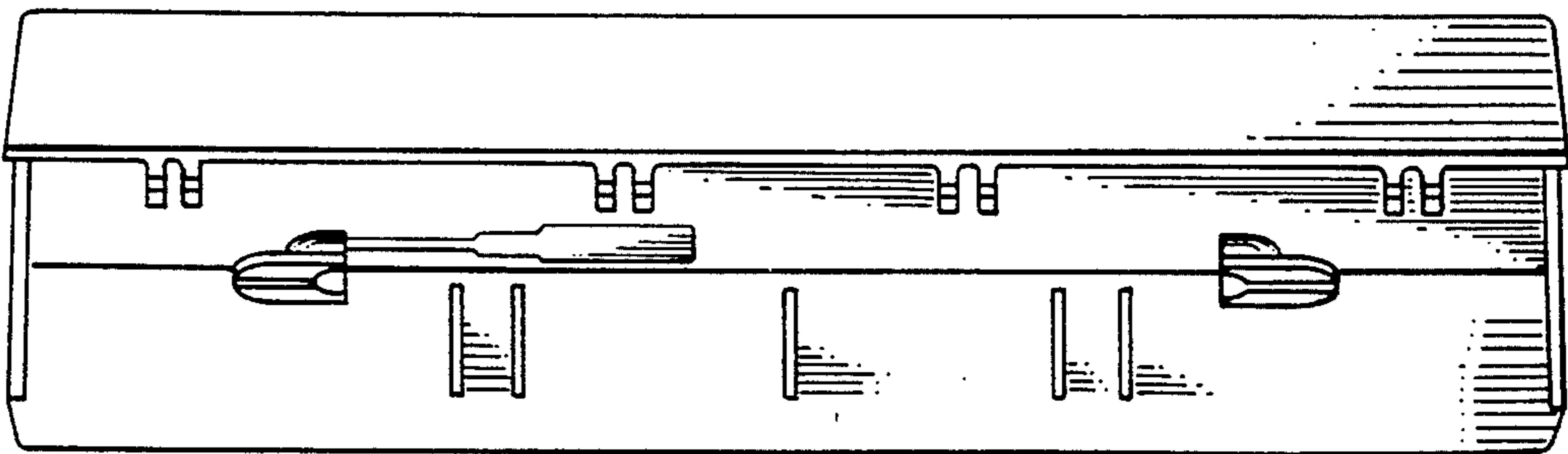


FIG. 5

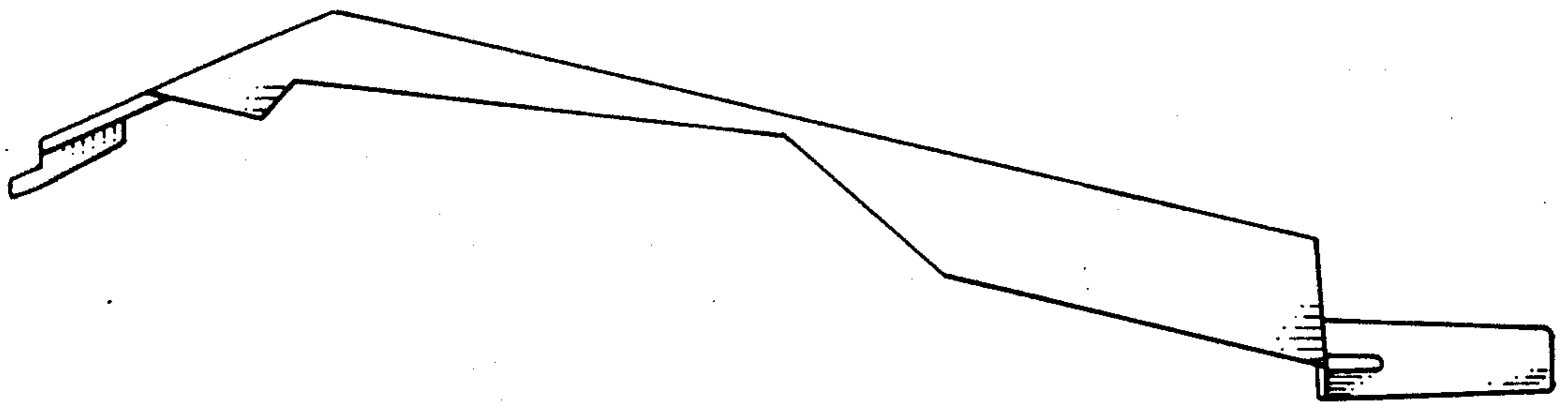


FIG. 6

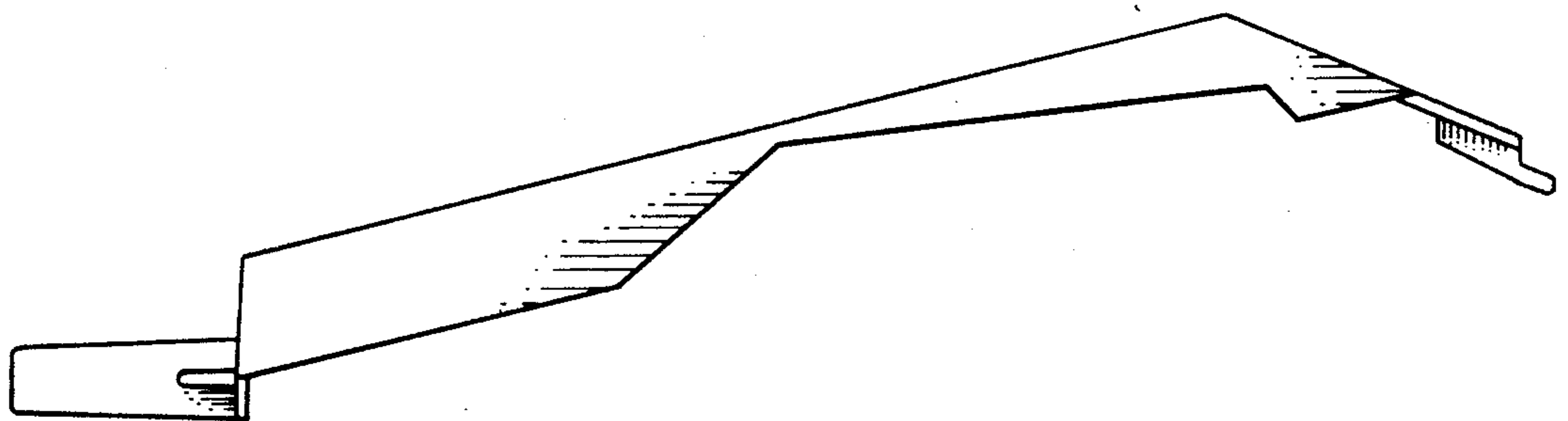


FIG. 7