

[54] BASE FOR A MAGNETIC MACHINE TOOL

[75] Inventors: Keith A. Pelfrey, Hanover, Pa.; Donald W. Zurwelle, Lutherville, Md.

[73] Assignee: Black & Decker Inc., Newark, Del.

[**] Term: 14 Years

[21] Appl. No.: 680,792

[22] Filed: Dec. 12, 1984

[52] U.S. Cl. D15/132; D15/141

[58] Field of Search D15/132, 141; 408/76, 408/234

[56] References Cited

U.S. PATENT DOCUMENTS

- Re. 24,203 8/1956 Buck .
- Re. 26,037 6/1966 Herfurth .
- Re. 30,519 2/1981 Hougen .
- D. 170,352 9/1953 Buck .
- D. 180,640 7/1957 Buck .
- D. 267,011 11/1982 Morris D15/132
- 2,357,690 9/1944 Rugheimer .
- 2,622,457 12/1952 Buck .
- 2,820,377 1/1958 Buck .
- 2,876,663 3/1959 Buck .
- 2,932,194 4/1960 Buck .
- 2,938,411 5/1960 Herfurth .
- 2,955,491 10/1960 Buck .
- 2,977,825 4/1961 Buck .
- 3,044,321 7/1962 Buck .
- 3,044,324 7/1962 Buck .
- 3,159,061 12/1964 Walker et al. .
- 3,254,547 6/1966 Engelsted et al. .

- 3,342,089 9/1967 Palm .
- 3,371,257 2/1968 Warren et al. .
- 3,728,027 4/1973 Watanabe .
- 3,796,506 3/1974 Buck .
- 3,969,036 7/1976 Hougen .
- 4,261,673 4/1981 Hougen .
- 4,278,371 7/1981 Meyer .
- 4,390,309 6/1983 Fangmann .

OTHER PUBLICATIONS

Black & Decker Power Tools Catalog 1984--(front and back cover pages, p. 24), Cat. Nos. 1551 and 1554. Black & Decker Power Tools for Industry & Construction Trades 1972 Catalog--(front and back cover pages, pp. 12 and 13, Cat. Nos. 1551 and 1554, respectively).

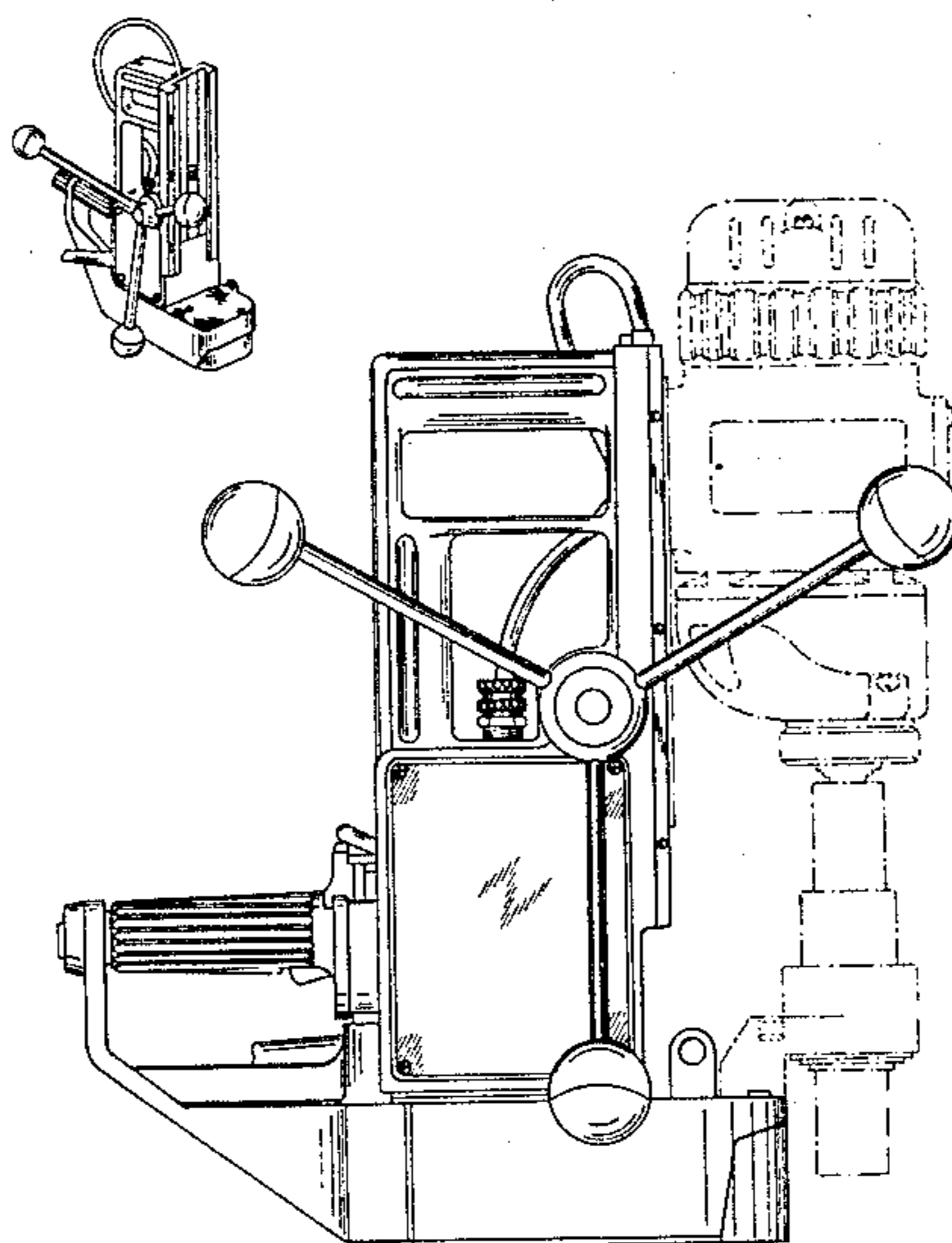
Primary Examiner--B. J. Bullock
Attorney, Agent, or Firm--Edward D. Murphy; Harold Weinstein; Edward D. C. Bartlett

[57] CLAIM

The ornamental design for a base for a magnetic machine tool, as shown and described.

DESCRIPTION

FIG. 1 is a perspective view of a base for a machine tool showing our new design; FIG. 2 is an enlarged left side elevational view thereof, the drill being shown in broken lines for illustrative purposes only; FIG. 3 is an enlarged right side elevational view thereof; FIG. 4 is an enlarged front elevational view thereof; FIG. 5 is an enlarged rear elevational view thereof; FIG. 6 is an enlarged top plan view thereof; FIG. 7 is an enlarged bottom plan view thereof.



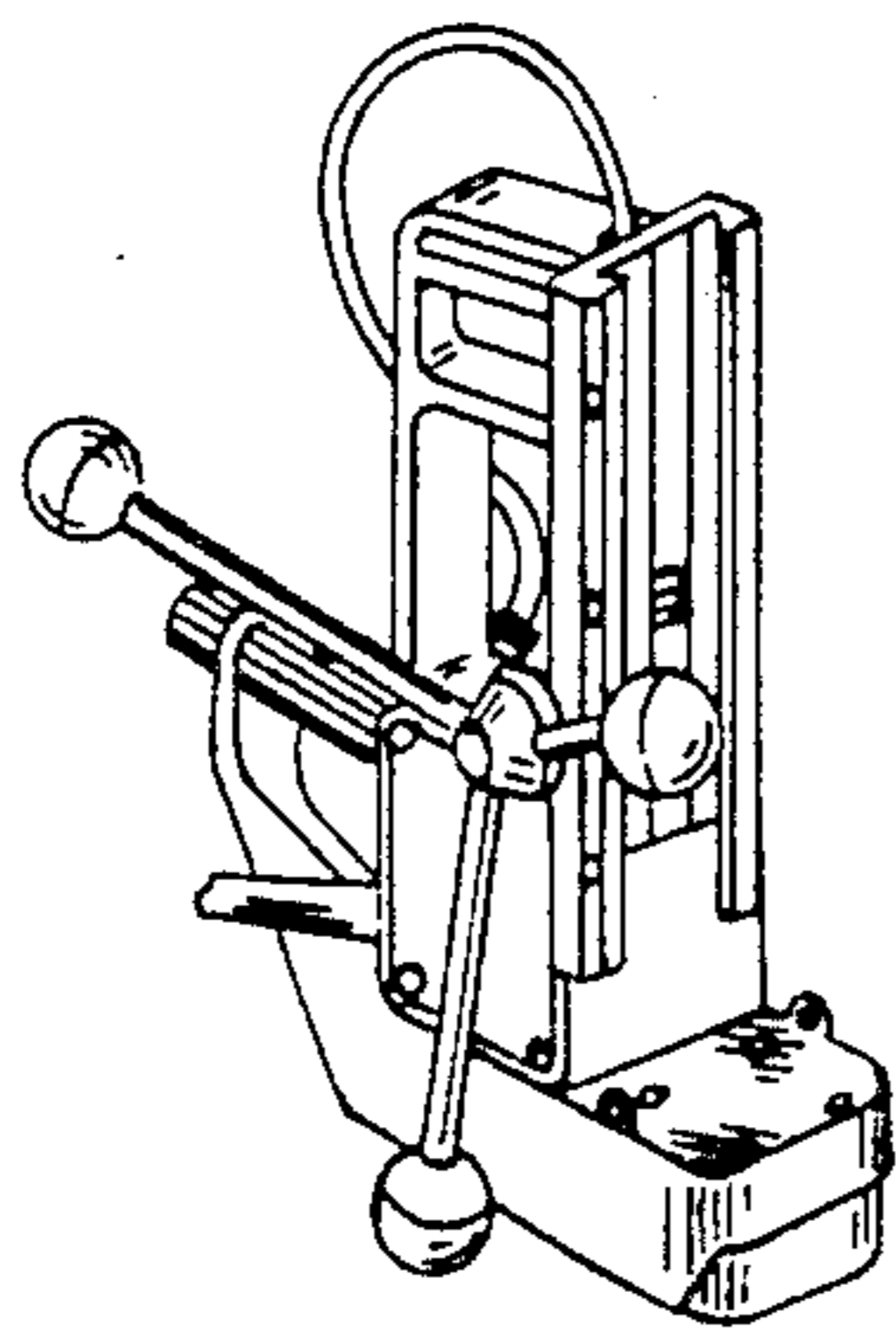


FIG. 1

FIG. 2

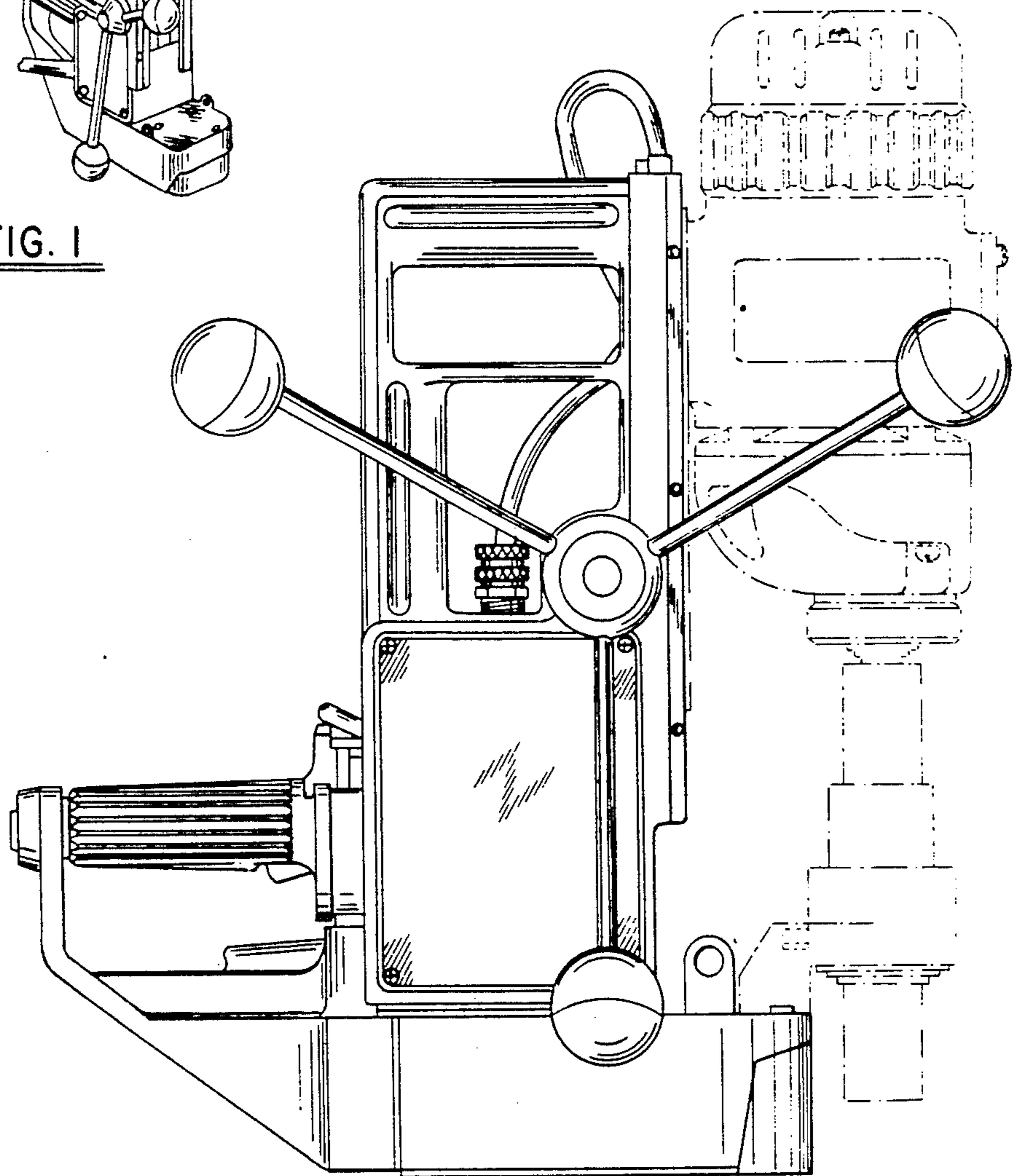


FIG. 3

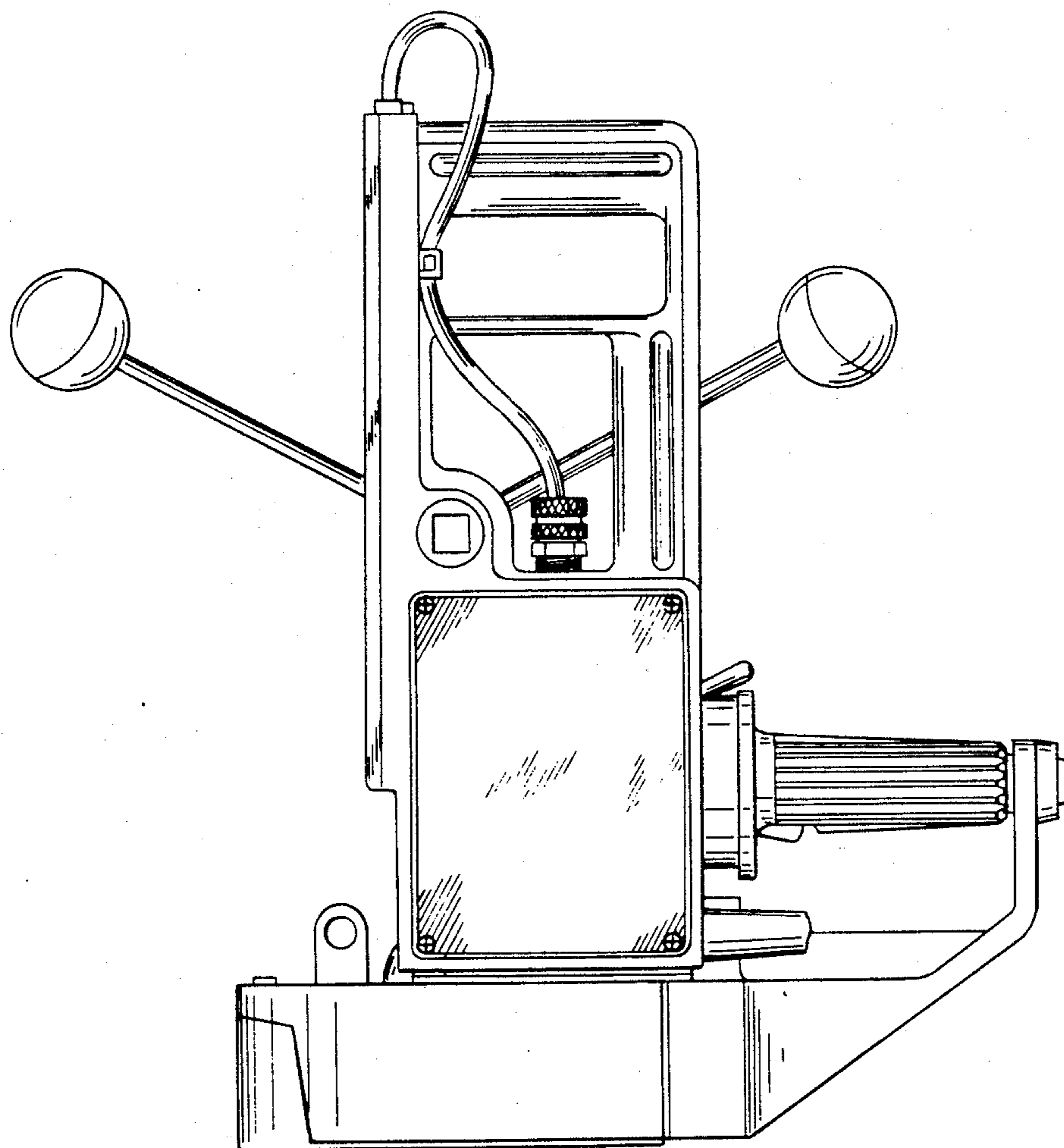


FIG. 4

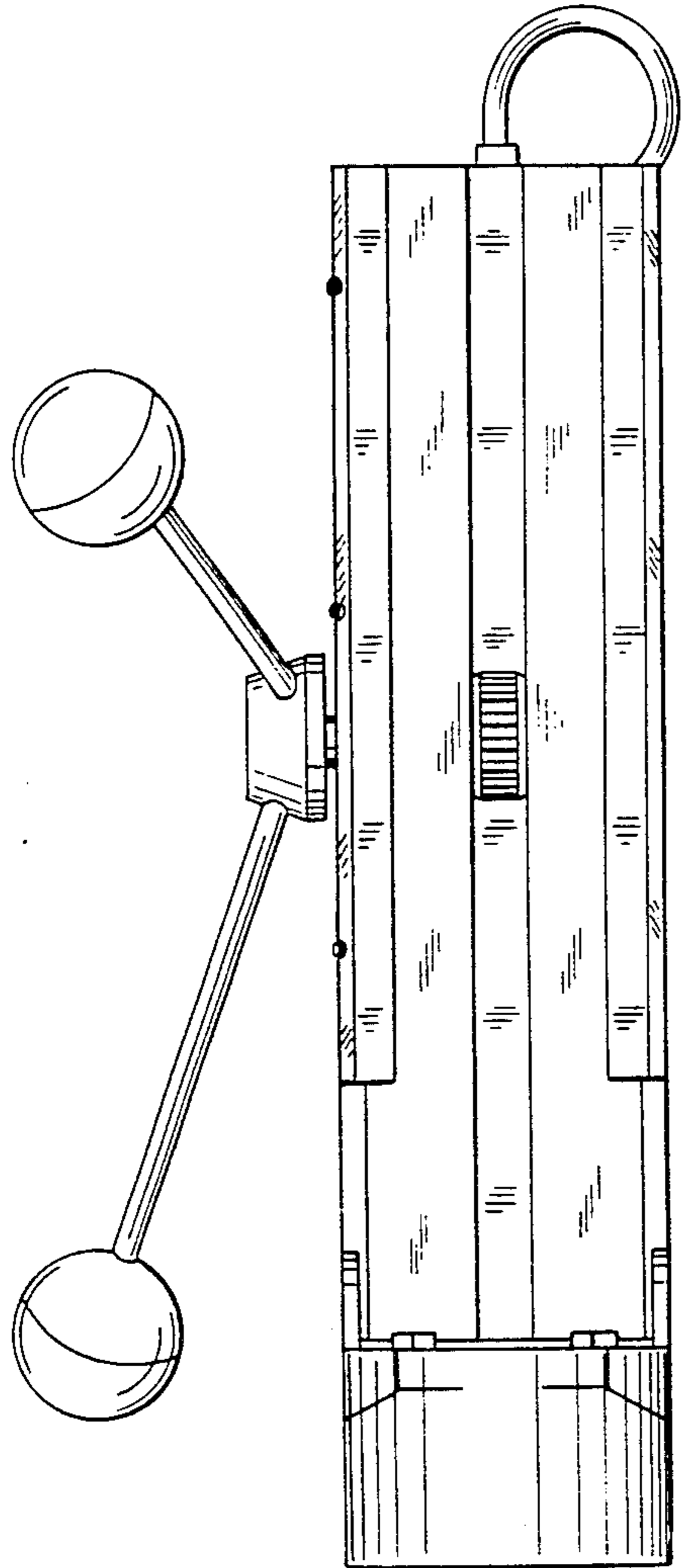


FIG. 5

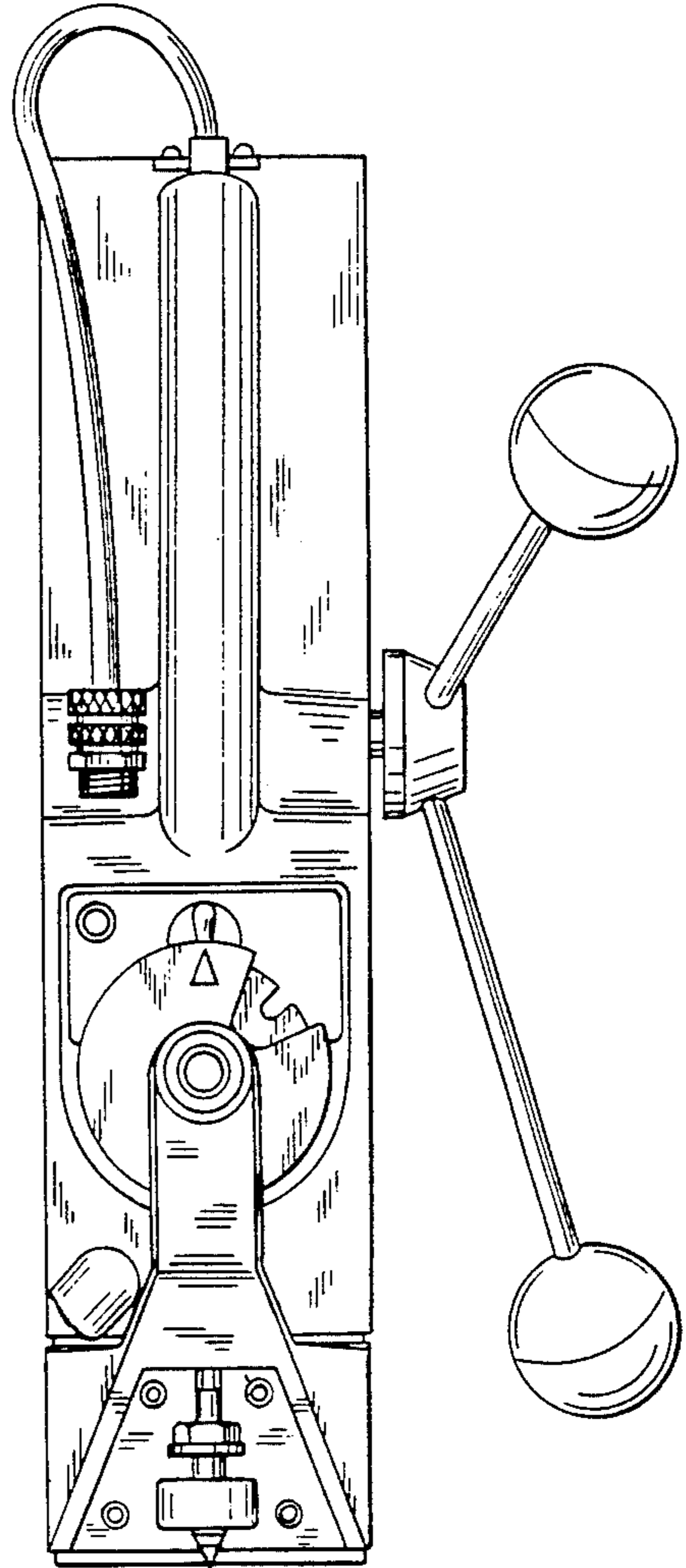


FIG. 6

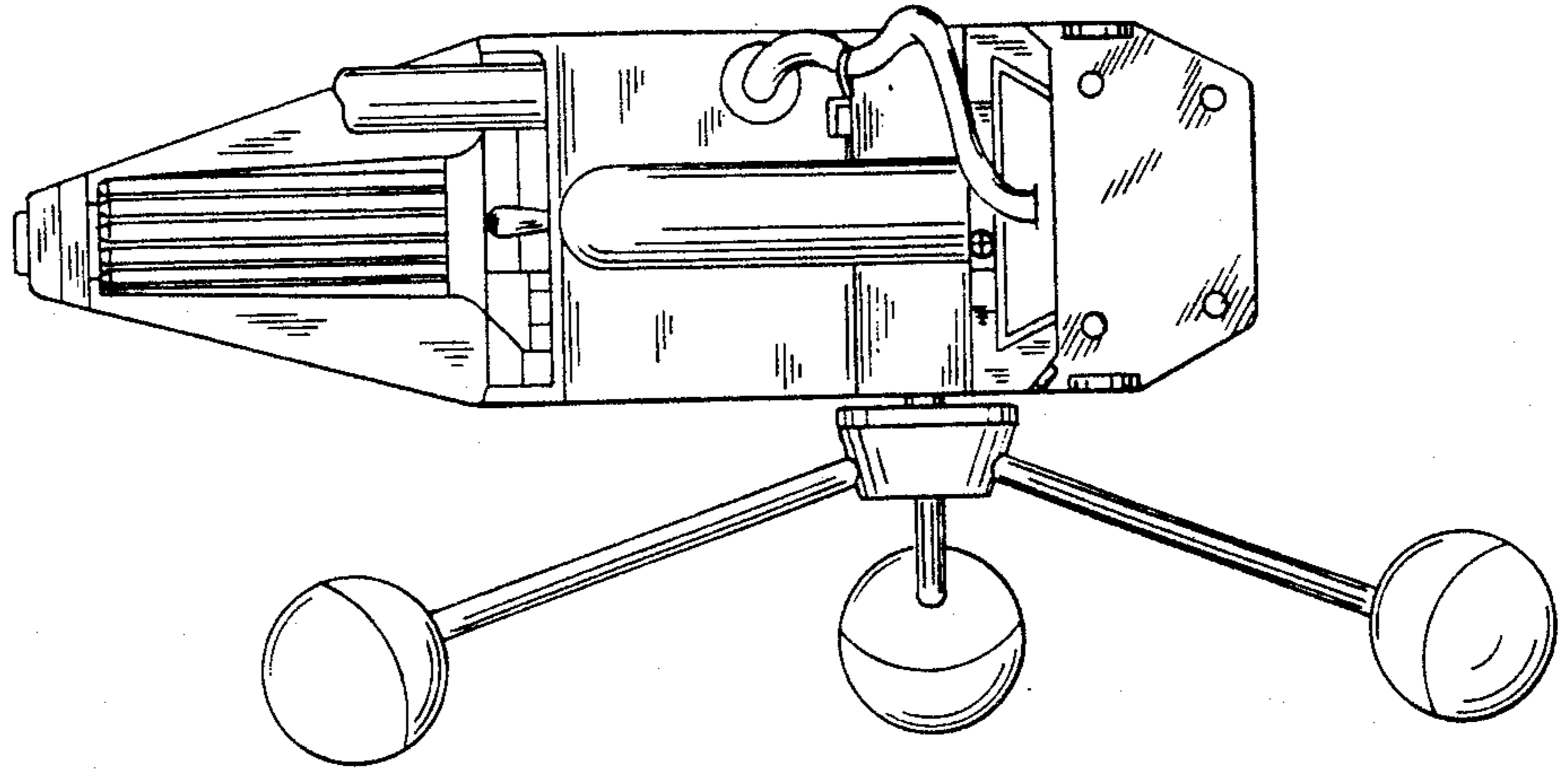


FIG. 7

